



Chipsmall Limited consists of a professional team with an average of over 10 year of expertise in the distribution of electronic components. Based in Hongkong, we have already established firm and mutual-benefit business relationships with customers from,Europe,America and south Asia,supplying obsolete and hard-to-find components to meet their specific needs.

With the principle of “Quality Parts,Customers Priority,Honest Operation,and Considerate Service”,our business mainly focus on the distribution of electronic components. Line cards we deal with include Microchip,ALPS,ROHM,Xilinx,Pulse,ON,Everlight and Freescale. Main products comprise IC,Modules,Potentiometer,IC Socket,Relay,Connector.Our parts cover such applications as commercial,industrial, and automotives areas.

We are looking forward to setting up business relationship with you and hope to provide you with the best service and solution. Let us make a better world for our industry!



Contact us

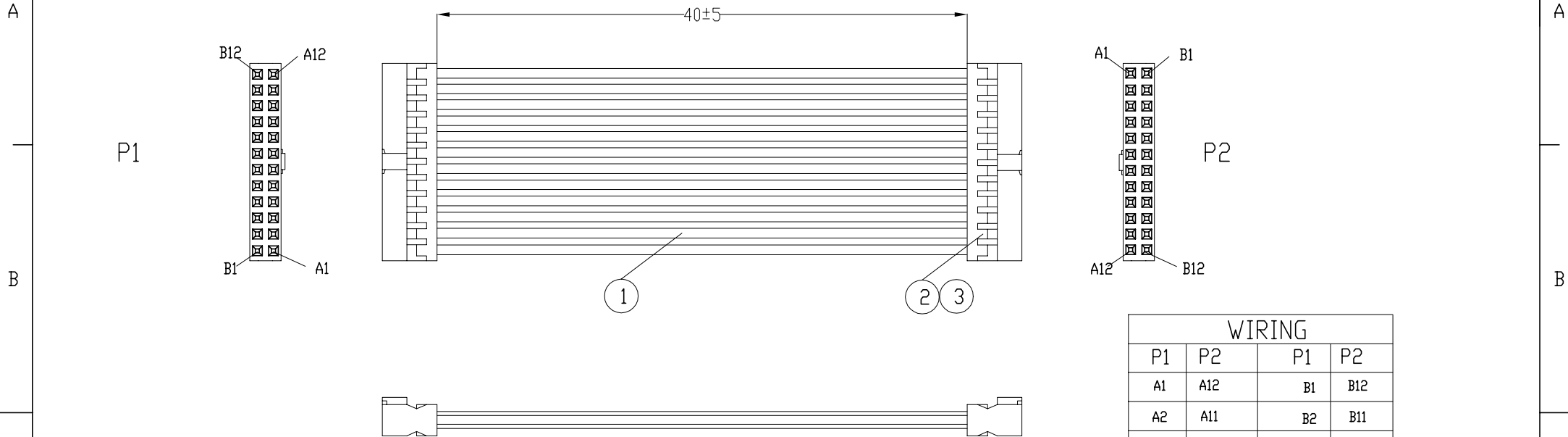
Tel: +86-755-8981 8866 Fax: +86-755-8427 6832

Email & Skype: info@chipsmall.com Web: www.chipsmall.com

Address: A1208, Overseas Decoration Building, #122 Zhenhua RD., Futian, Shenzhen, China



CUSTOMER P/N	FCI P/N	L (MM)
RPM 119 1225/1 P1A	10115391-P0004YYLF	40MM



WIRING			
P1	P2	P1	P2
A1	A12	B1	B12
A2	A11	B2	B11
A3	A10	B3	B10
⋮	⋮	⋮	⋮
A10	A3	B10	B3
A11	A2	B11	B2
A12	A1	B12	B1

NOTES:

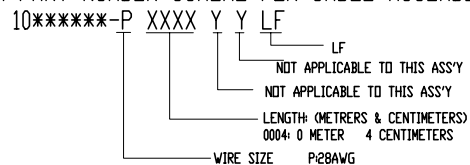
1.100% CONTINUITY TEST FOR OPEN, SHORT, ETC..

2.HI-POT TEST: DC 300V/10ms

CONNECTION RESISTANCE: 3 Ωhm MAX.

INSULATION RESISTANCE: 10M Ωhm MIN.

3. PART NUMBER SCHEME FOR CABLE ASSEMBLY:



4.ROHS COMPLIANCE

③	Terminal	48	PC
②	MINITEK CONNECTOR HOUSING 12X2	2	PC
①	UL1007 wire 28#(7/0.12) tinned copper black	AR	M
No.	DESCRIPTION	QTY	UNIT
www.fciconnect.com		mm	
surface - ✓ tolerance std - - projection		mm	
TOLERANCES UNLESS OTHERWISE SPECIFIED		mm	
Dr	Jack Yang 3/18/2010	ANGULAR	0.X ±-
Eng	Jack Yang 3/18/2010	LINEAR	0.XX ±-
Chr	Jack Yang 3/18/2010	0° ±-	0.XXX ±-
Appr	Jackson Wang 3/18/2010	Product family	Spec ref
FCI title Minitek FLAT Cable Ass'y		dwg no	10115391
catalog no		CUSTOMER	sheet 1 of 1

rev	ecn no	dr	date
A	N10-0212	YJ	3/18/2010



Copyright FCI.

D

D