



Chipsmall Limited consists of a professional team with an average of over 10 year of expertise in the distribution of electronic components. Based in Hongkong, we have already established firm and mutual-benefit business relationships with customers from,Europe,America and south Asia,supplying obsolete and hard-to-find components to meet their specific needs.

With the principle of "Quality Parts,Customers Priority,Honest Operation,and Considerate Service",our business mainly focus on the distribution of electronic components. Line cards we deal with include Microchip,ALPS,ROHM,Xilinx,Pulse,ON,Everlight and Freescale. Main products comprise IC,Modules,Potentiometer,IC Socket,Relay,Connector.Our parts cover such applications as commercial,industrial, and automotives areas.

We are looking forward to setting up business relationship with you and hope to provide you with the best service and solution. Let us make a better world for our industry!



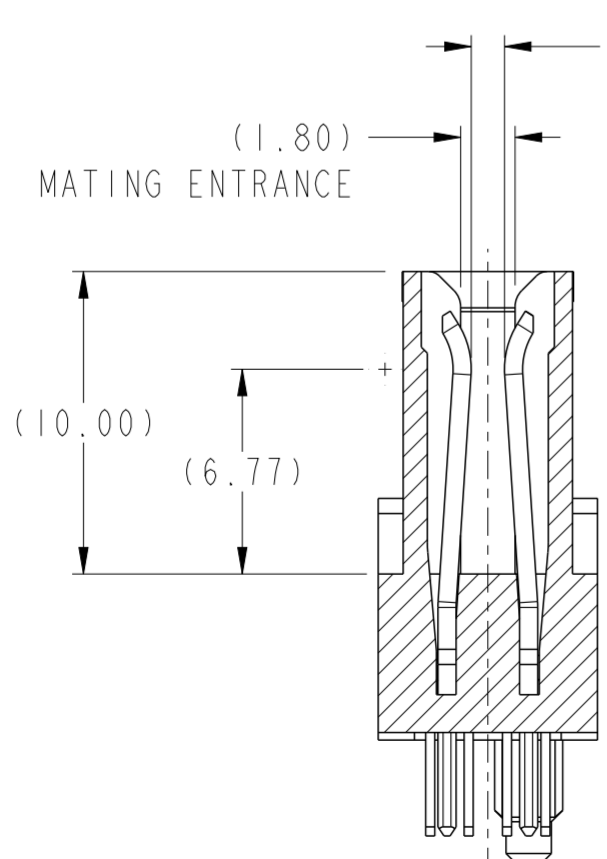
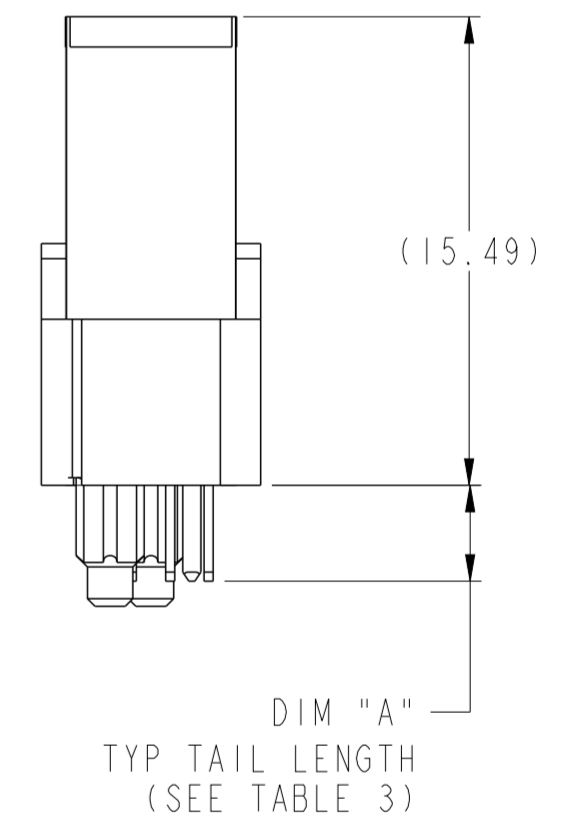
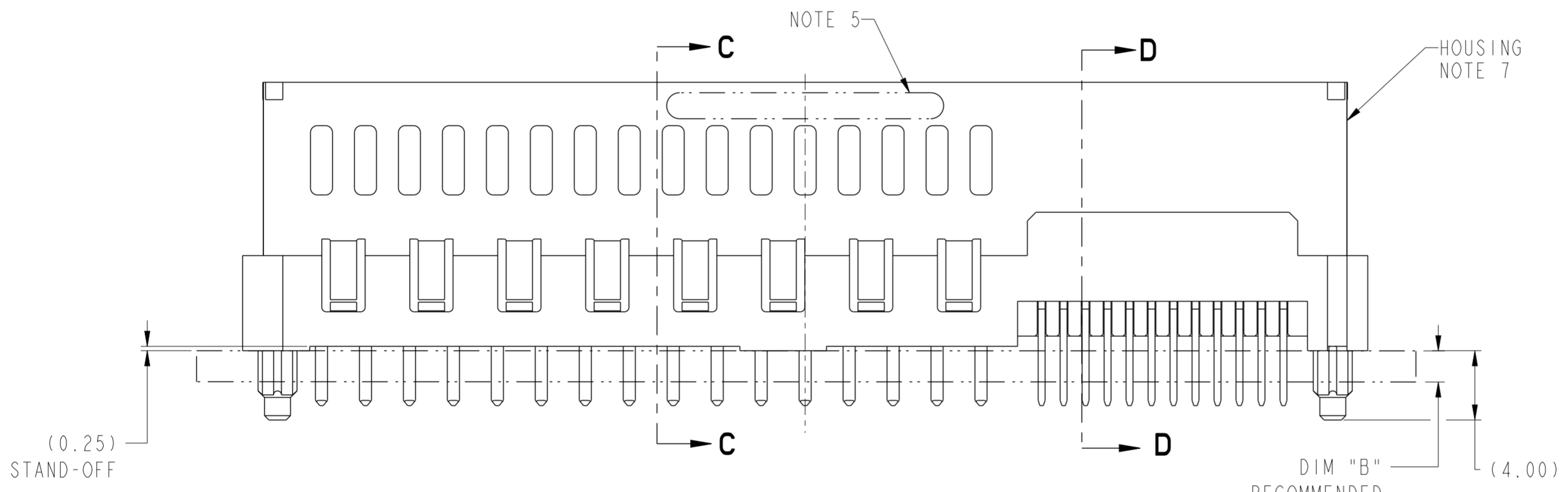
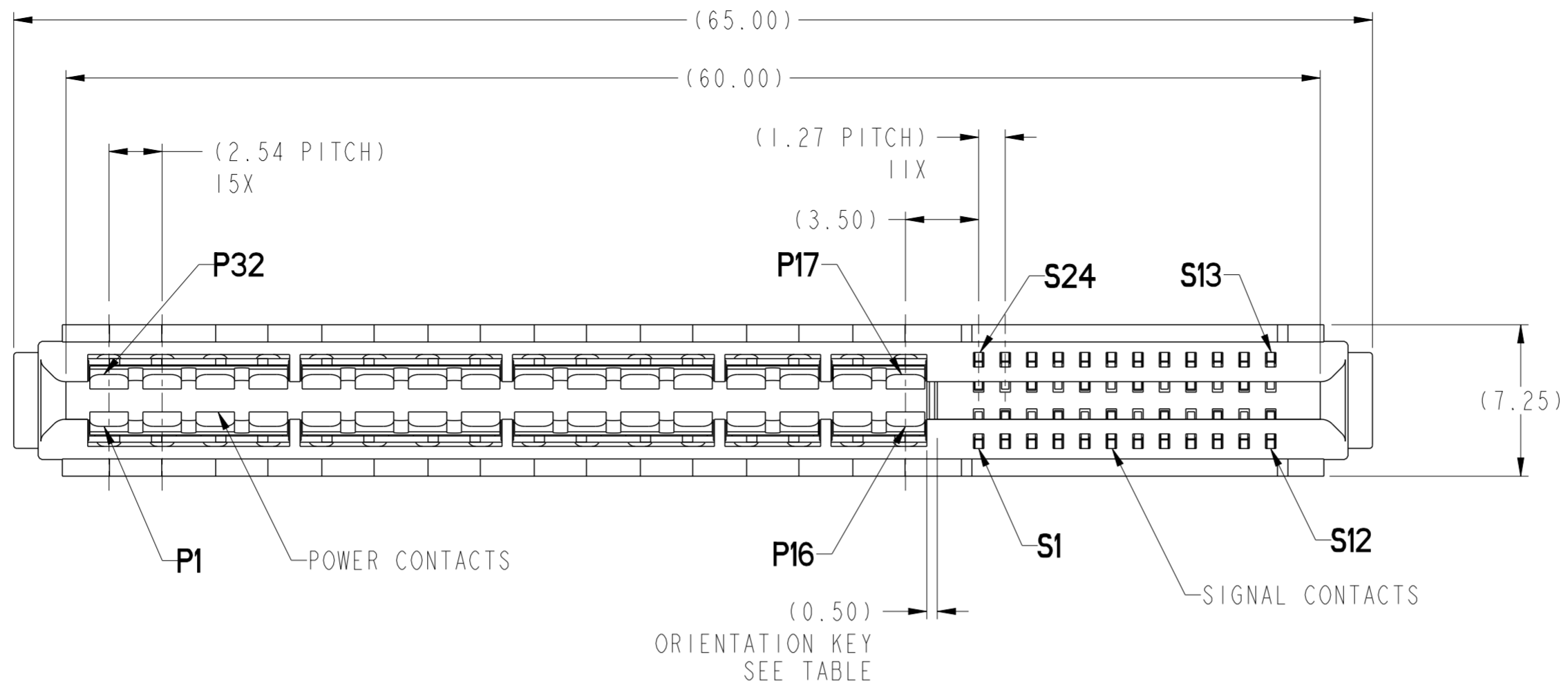
Contact us

Tel: +86-755-8981 8866 Fax: +86-755-8427 6832

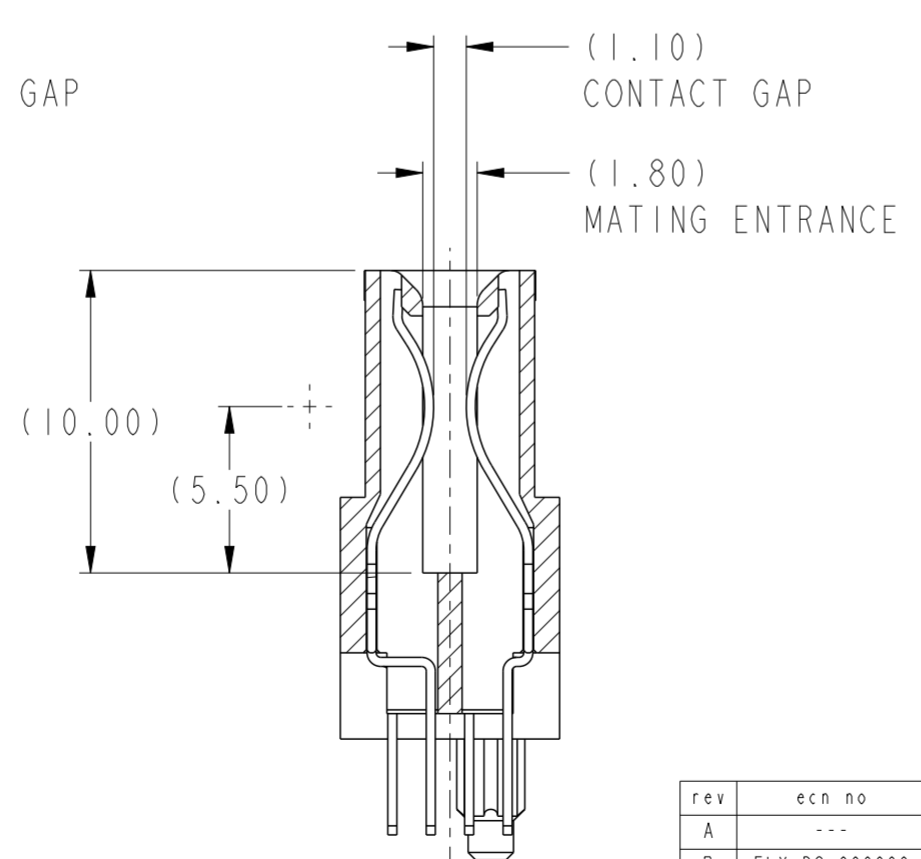
Email & Skype: info@chipsmall.com Web: www.chipsmall.com

Address: A1208, Overseas Decoration Building, #122 Zhenhua RD., Futian, Shenzhen, China





SECTION C-C



SECTION D-D

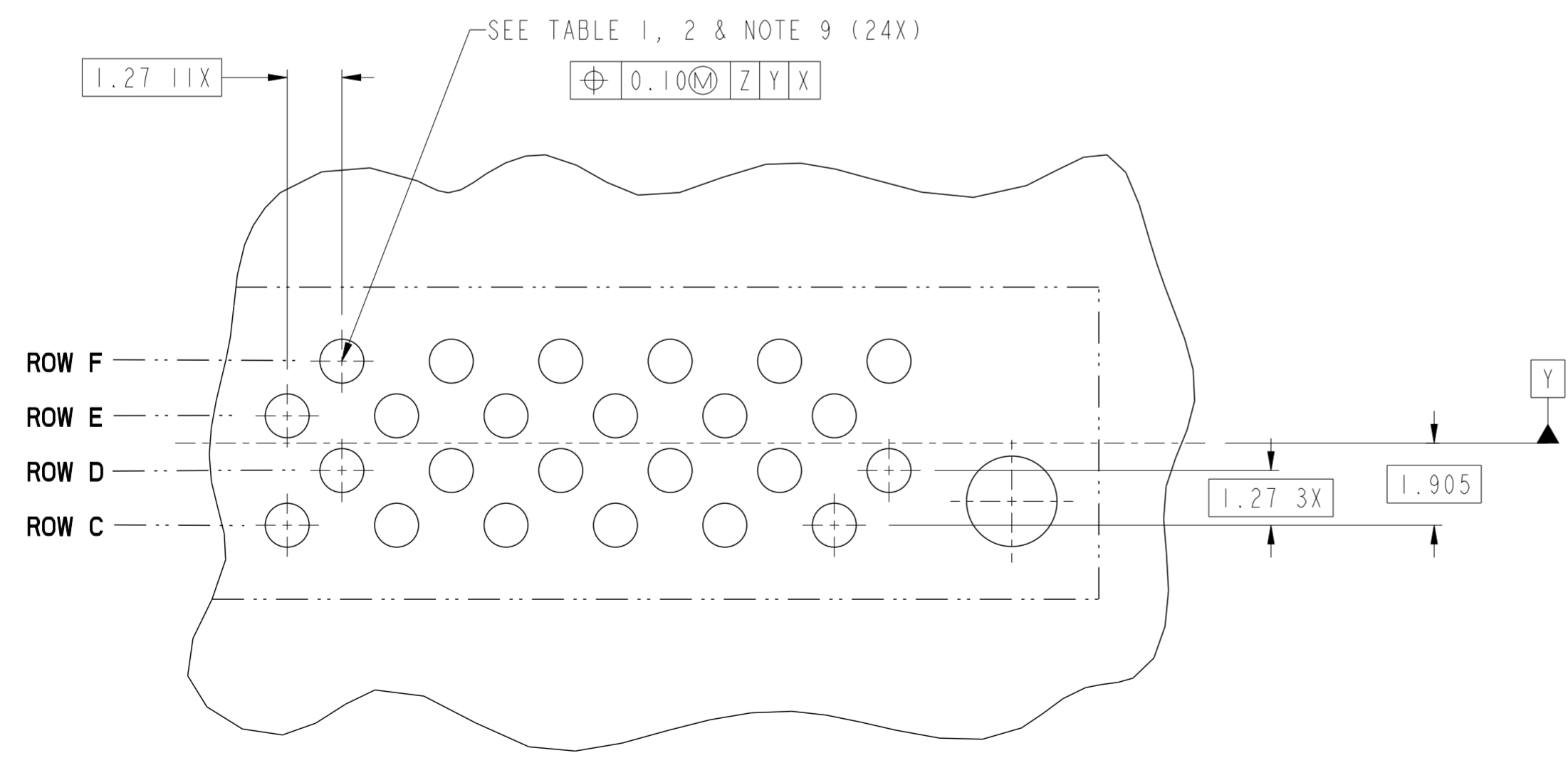
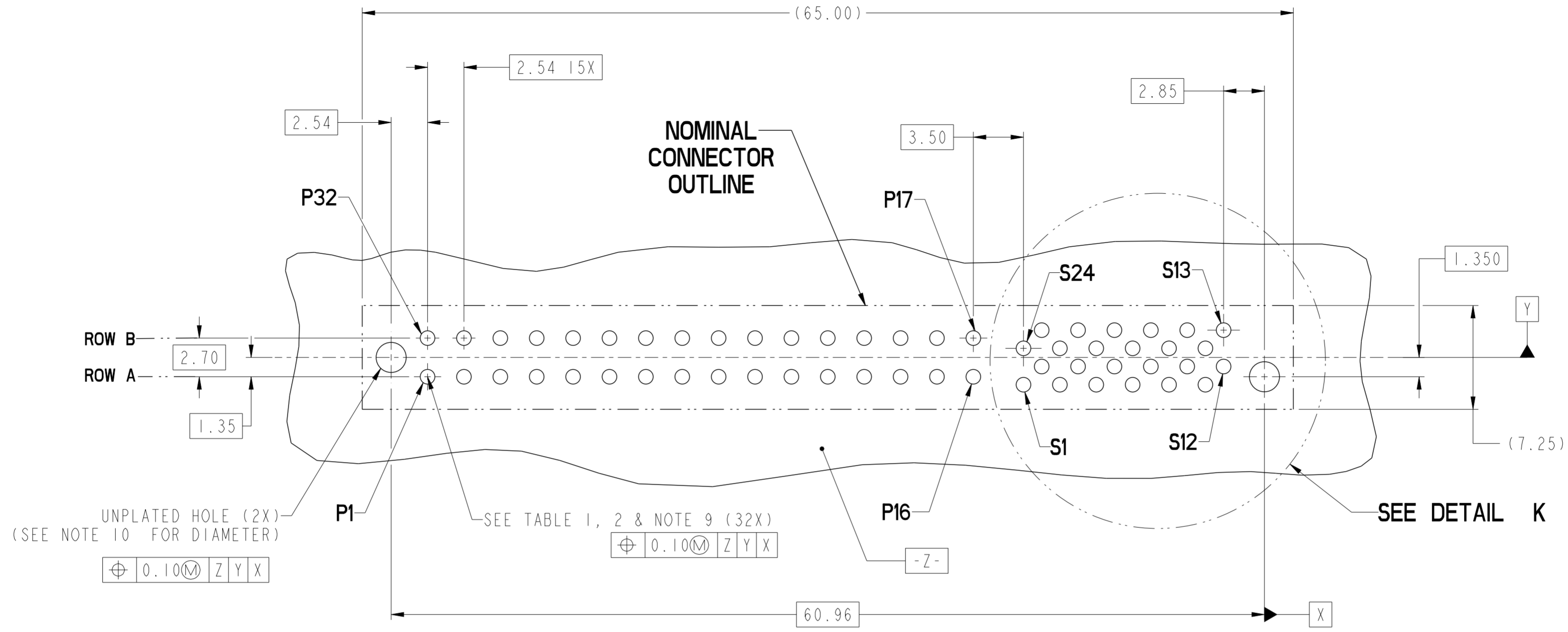
rev	ecn no	dr	date
A	---	HZ	2011-07-03
B	ELX-DG-006060	WL	2011-09-19

spec ref	-
tolerance std	ASME Y14.5
surface	linear ✓
	angular

dr	Mary Glass	2010/08/10
eng	Wei-Long Zhang	2011/09/19
chr	Jon Qin	2011/09/19
appr	Fei-Ming Zheng	2011/09/19

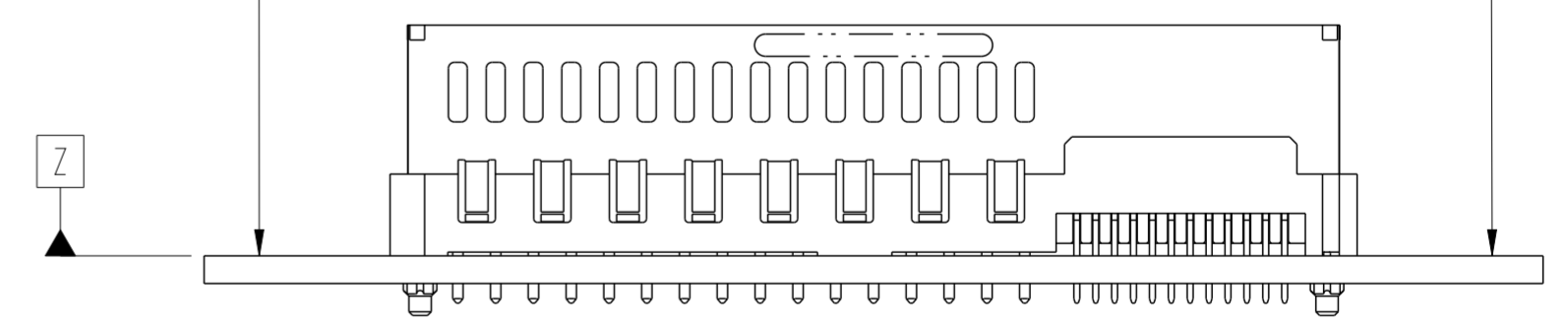
projection	MM	size	A2	scale	4:1
product family	HPCE	ecn no	ELX-DG-006060-1	rel level	Released
title	VERT RECT (32P-24S) HIGH POWER CARD EDGE	dwg no	10115772	rev	B
www.fci.com	cat. no.	Product - Customer Drw	sheet 1 of 4		

Copyright FCI. FCI



DETAIL K
SCALE 8:1

**RECOMMENDED PCB LAYOUT
VIEWED FROM CONNECTOR SIDE**



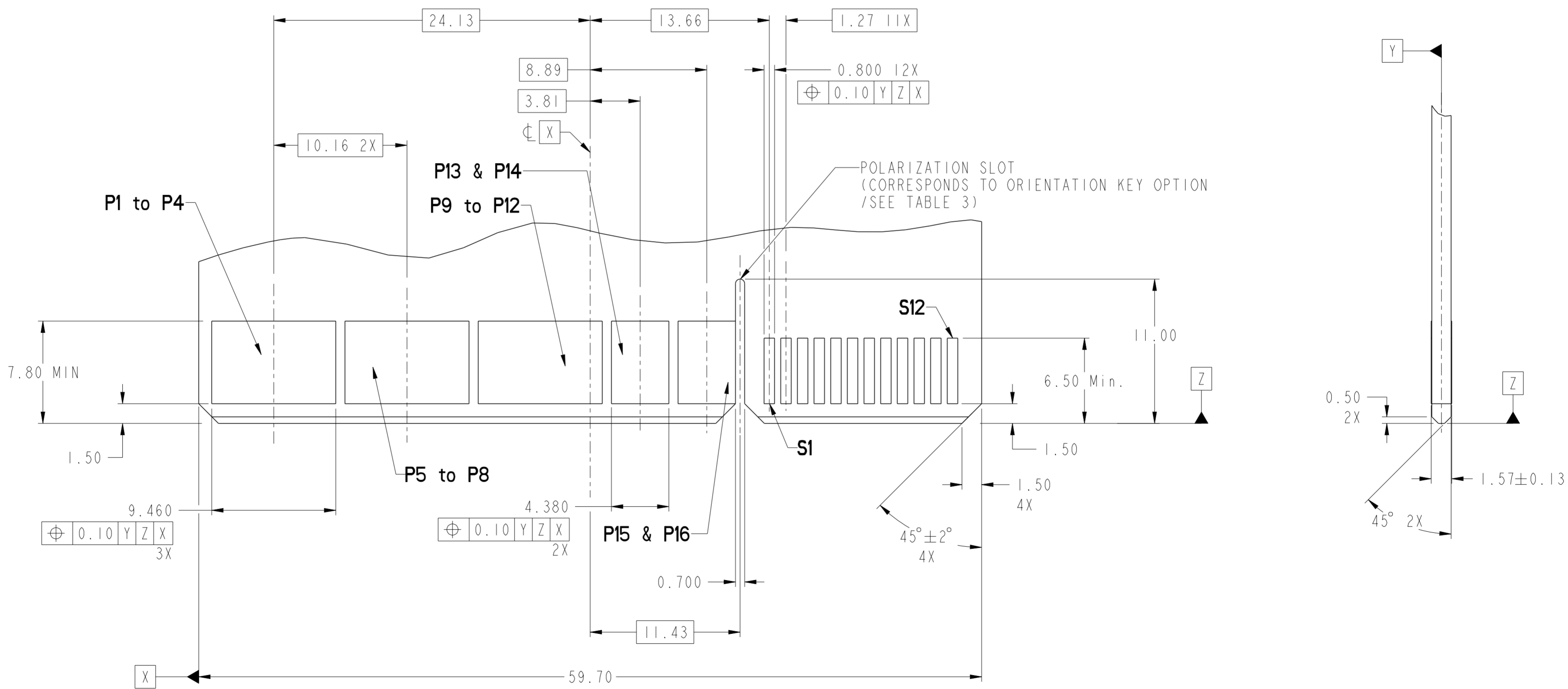
dr	Mary Glass	2010/08/10	projection	MM	size	A2	scale	4:1
eng	Wei-Long Zhang	2011/09/19			ecn no	ELX-DG-006060-1		
chr	Jon Qin	2011/09/19			rel level	Released		
appr	Pei-Ming Zheng	2011/09/19	product family	HPCE				
		title VERT RECT (32P-24S) HIGH POWER CARD EDGE		dwg no 10115772	rev B			
www.fci.com		cat. no.	-		Product - Customer Draw		sheet 2 of 4	

Copyright FCI.

CONTACT TYPE	TOP LAYER DESCRIPTION	TABLE 1 (HPCE / SOLDER TAILS) PLATED THROUGH-HOLE REQUIREMENTS				
		DRILLED HOLE DIAMETER	COPPER THICKNESS	TIN-LEAD THICKNESS	TIN THICKNESS	FINISHED HOLE DIAMETER
POWER & SIGNAL	TIN-LEAD	1.10-1.16 (1.15 DRILL)	0.025 - 0.050	0.005 - 0.015	--	0.94 - 1.10
	IMMERSION TIN	1.10-1.16 (1.15 DRILL)	0.025 - 0.050	--	0.9 - 1.5um	0.94 - 1.10
	COPPER (SEE NOTE 8)	1.10-1.16 (1.15 DRILL)	0.025 - 0.050	--	--	0.94 - 1.10

CONTACT TYPE	TOP LAYER DESCRIPTION	TABLE 2 (HPCE / PRESS-FIT TAILS) PLATED THROUGH-HOLE REQUIREMENTS				
		DRILLED HOLE DIAMETER	COPPER THICKNESS	TIN-LEAD THICKNESS	TIN THICKNESS	FINISHED HOLE DIAMETER
POWER & SIGNAL	TIN-LEAD	0.81-0.86 (0.85 DRILL)	0.025 - 0.050	0.005 - 0.015	--	0.65 - 0.80
	IMMERSION TIN	0.81-0.86 (0.85 DRILL)	0.025 - 0.050	--	0.9 - 1.5um	0.70 - 0.80
	COPPER (SEE NOTE 8)	0.81-0.86 (0.85 DRILL)	0.025 - 0.050	--	--	0.70 - 0.80

RECOMMENDED MATING BOARD FOOTPRINT

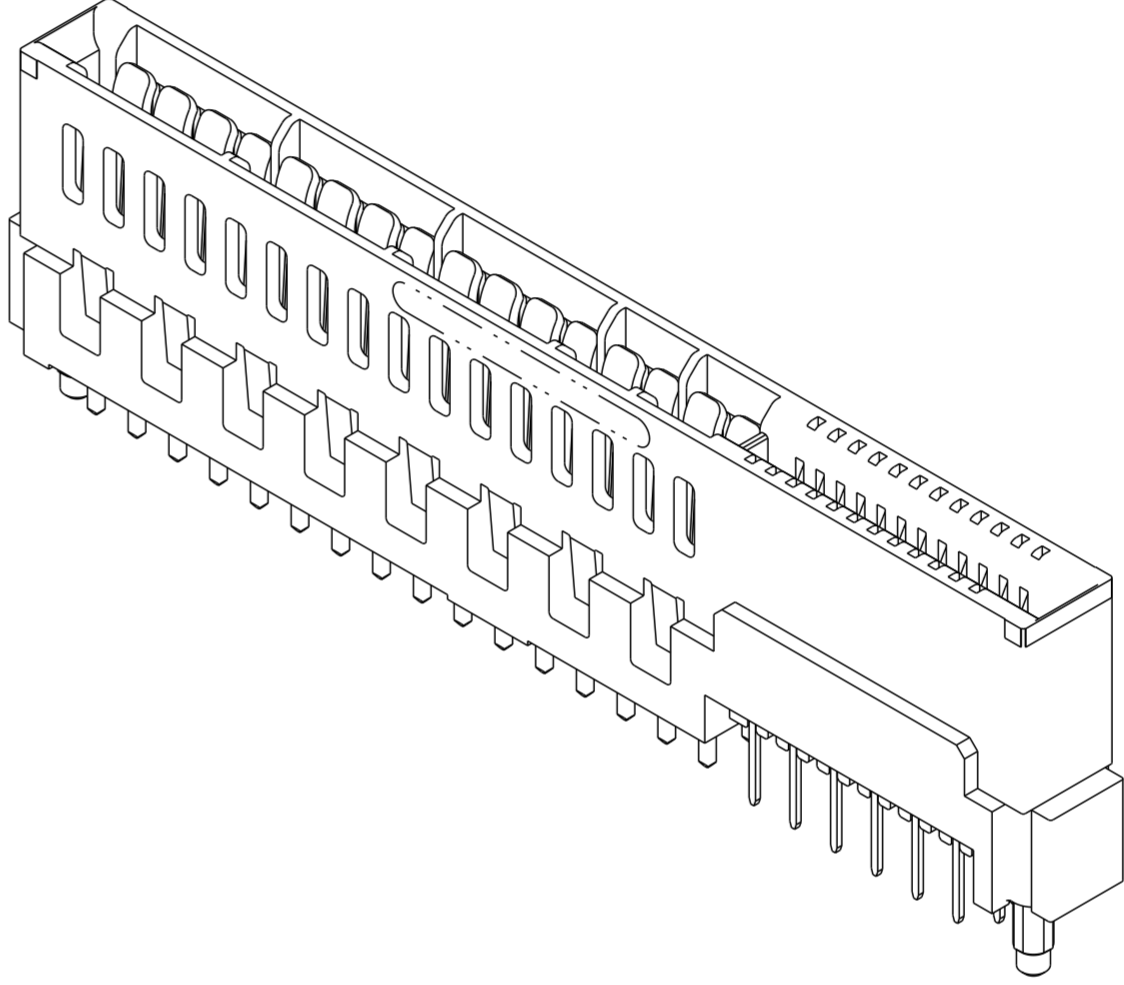


dr	Mary Glass	2010/08/10	projection	MM	size	A2	scale	4:1
eng	Wei-Long Zhang	2011/09/19			ecn no	ELX-DG-006060-1	rel level	Released
chr	Jon Qin	2011/09/19						
appr	Pei-Ming Zheng	2011/09/19	product family	HPCE	rel level	Released		
			VERT RECT (32P-24S) HIGH POWER CARD EDGE		dwg no 10115772	rev B		
www.fci.com			cat. no.	-	Product - Customer Drw	sheet 3 of 4		

Copyright FCI.

HPCE PART NUMBER (TABLE 3)

PART NUMBER	TAIL TYPE	ORIENTATION KEY	DIM "A" TYPICAL TAIL LENGTH	DIM "B" RECOMMENDED BOARD THICKNESS
10115772-001LF	SOLDER	YES	3.17 ±0.25	1.59 - 2.38
10115772-002LF	SOLDER	NO		
10115772-003	PRESS-FIT	YES	3.17 ±0.25	1.57 MIN
10115772-003LF	PRESS-FIT	YES		
10115772-004	PRESS-FIT	NO		
10115772-004LF	PRESS-FIT	NO		



NOTES:

1. CONNECTOR MATERIALS:
 HOUSING: HIGH TEMPERATURE THERMAL PLASTIC, BLACK
 UL 94V-0 COMPLIANT
 CONTACTS: HIGH PERFORMANCE COPPER ALLOY.
2. CONTACT FINISH REF. GS-12-604 SECTION 5.2.
3. PRODUCT SPECIFICATION: GS-12-604.
4. APPLICATION SPECIFICATION: GS-20-128.
5. PRODUCT MARKING (PRODUCT NUMBER & DATE CODE) ON HOUSING IN AREA SHOWN.
6. PACKAGING MEETS FCI SPECIFICATION GS-14-937.
7. HOUSING COMPONENT WILL WITHSTAND EXPOSURE TO 260°C PEAK TEMPERATURE FOR 60 SECONDS IN A CONVECTION, INFRA-RED, OR VAPOR PHASE REFLOW OVEN.
8. COPPER PLATING THICKNESS IN CENTER OF VIA-HOLE CAN BE NO MORE THAN 0.003 LESS THAN OTHER AREAS.
9. ALL HOLE SIZES ARE FINISHED HOLE SIZES.
10. MOUNTING HOLES ARE UNPLATED
 Ø 2.40 +/- 0.1 FOR PRESS-FIT TAILS
 Ø 2.10 +/- 0.1 FOR SOLDER TAILS

dr	Marty Glass	2010/08/10	projection	MM	size	A2	scale	4:1	
eng	Wei-Long Zhang	2011/09/19			ecn no	ELX-DG-006060-1			
chr	Jon Qin	2011/09/19			product family	HPCE	rel level	Released	
appr	Pei-Ming Zheng	2011/09/19			title	VERT RECT (32P-24S) HIGH POWER CARD EDGE		rev	B
www.fci.com			cat. no.	-	Product - Customer Drw		sheet 4 of 4		