



Chipsmall Limited consists of a professional team with an average of over 10 year of expertise in the distribution of electronic components. Based in Hongkong, we have already established firm and mutual-benefit business relationships with customers from,Europe,America and south Asia,supplying obsolete and hard-to-find components to meet their specific needs.

With the principle of “Quality Parts,Customers Priority,Honest Operation,and Considerate Service”,our business mainly focus on the distribution of electronic components. Line cards we deal with include Microchip,ALPS,ROHM,Xilinx,Pulse,ON,Everlight and Freescale. Main products comprise IC,Modules,Potentiometer,IC Socket,Relay,Connector.Our parts cover such applications as commercial,industrial, and automotives areas.

We are looking forward to setting up business relationship with you and hope to provide you with the best service and solution. Let us make a better world for our industry!



Contact us

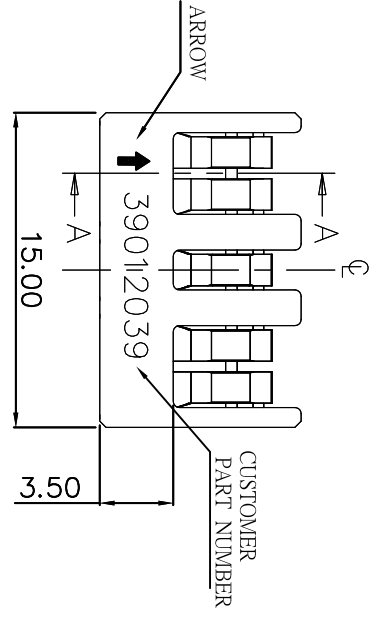
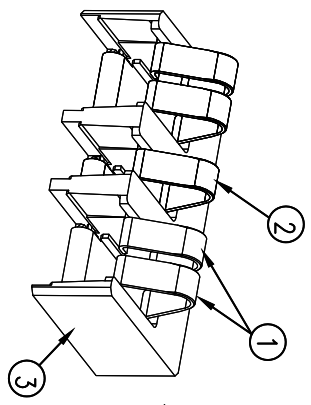
Tel: +86-755-8981 8866 Fax: +86-755-8427 6832

Email & Skype: info@chipsmall.com Web: www.chipsmall.com

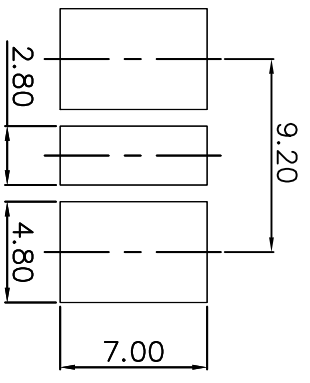
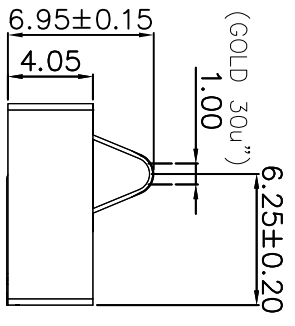
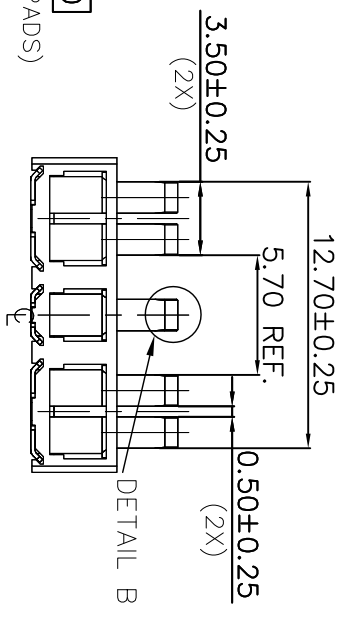
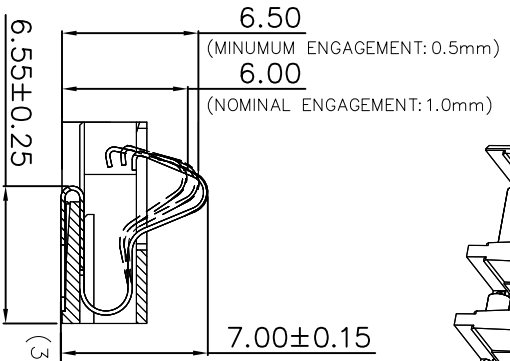
Address: A1208, Overseas Decoration Building, #122 Zhenhua RD., Futian, Shenzhen, China



PART NO.
10116189-001LF



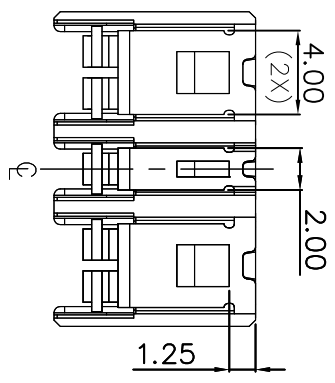
- NOTES:
1. MATERIAL: HOUSING: LCP RESIN, GLASS FILLED, UL94 V-0 RATED, COLOR: NATURAL. TERMINAL: TI-CU ALLOY
 2. FINISH: TERMINAL: CONTACT AREA: 30µ" MIN. GOLD PLATED SOLDER AREA: 1000µ" MIN. TIN PLATED UNDER 50µ" MIN. SULFAMATE NICKEL PLATED OVER ALL
 3. NORMAL FORCE: 1.04N±15% AT 1.0MM DEFLECTION OF BIFURCATED CONTACT : 0.52N±15% AT 0.5MM DEFLECTION OF BIFURCATED CONTACT : 1.19N±15% AT 1.0MM DEFLECTION OF SINGLE CONTACT : 0.59N±15% AT 0.5MM DEFLECTION OF SINGLE CONTACT
 4. THE PRODUCT SEPC. PLS. REFER TO GS-12-0927
 5. THE PACKAGING SPEC. PLS. REFER TO GS-14-2082
 6. THIS CONNECTOR CAN WITHSTAND EXPOSURE TO 260°C PEAK TEMPERATURE FOR 10 SECONDS IN IR REFLOW OVEN
 7. THE SUFFIX "LF" MEANS FOR LEAD FREE PROCESS



RECOMMENDED PCB LAYOUT
TOLERANCE: +/-0.05

NO.	DESCRIPTION	QTY
3	HOUSING	1 PCS
2	SINGLE CONTACT	1 PCS
1	BIFURCATED CONTACT	2 PCS

CUSTOMER DRAWING REV.



0.70mm AREA MUST BE HIGHER THAN POINT A FROM 0.0 TO 0.05mm
POINT A
0.70
R0.12 TYP.
DETAIL B

ltr	ecm no	dr	date	surface	tolerance	projection	product family
A	LS	09/19/11		ASME Y14.5	ASME Y14.5	MM	MOBILE
				tolerances unless otherwise specified			
				angles	B		
				X°±1°	.XX±0.10		
				dr	.XXX±0.05	scale	
				LEIF SHEN	09/19/11	dwg no	sheet 1 of 1 size
				LEIF SHEN	09/19/11	10116189	A4
				GARY HSEH	09/19/11	CUSTOMER DRAWING	
				GARY HSEH	09/19/11		
sheet index	revision	sheet	1				