



Chipsmall Limited consists of a professional team with an average of over 10 year of expertise in the distribution of electronic components. Based in Hongkong, we have already established firm and mutual-benefit business relationships with customers from,Europe,America and south Asia,supplying obsolete and hard-to-find components to meet their specific needs.

With the principle of “Quality Parts,Customers Priority,Honest Operation,and Considerate Service”,our business mainly focus on the distribution of electronic components. Line cards we deal with include Microchip,ALPS,ROHM,Xilinx,Pulse,ON,Everlight and Freescale. Main products comprise IC,Modules,Potentiometer,IC Socket,Relay,Connector.Our parts cover such applications as commercial,industrial, and automotives areas.

We are looking forward to setting up business relationship with you and hope to provide you with the best service and solution. Let us make a better world for our industry!



## Contact us

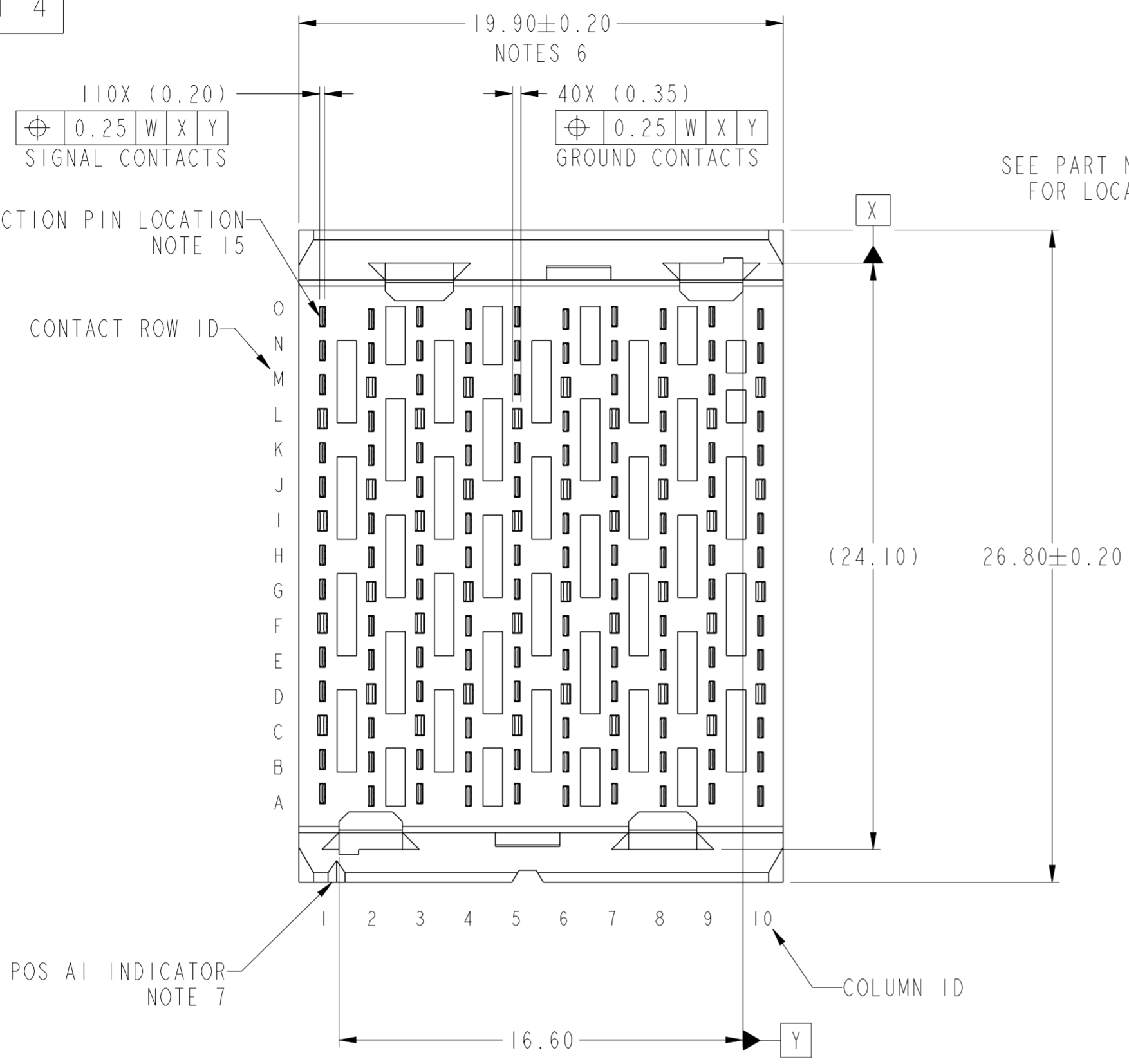
Tel: +86-755-8981 8866 Fax: +86-755-8427 6832

Email & Skype: info@chipsmall.com Web: www.chipsmall.com

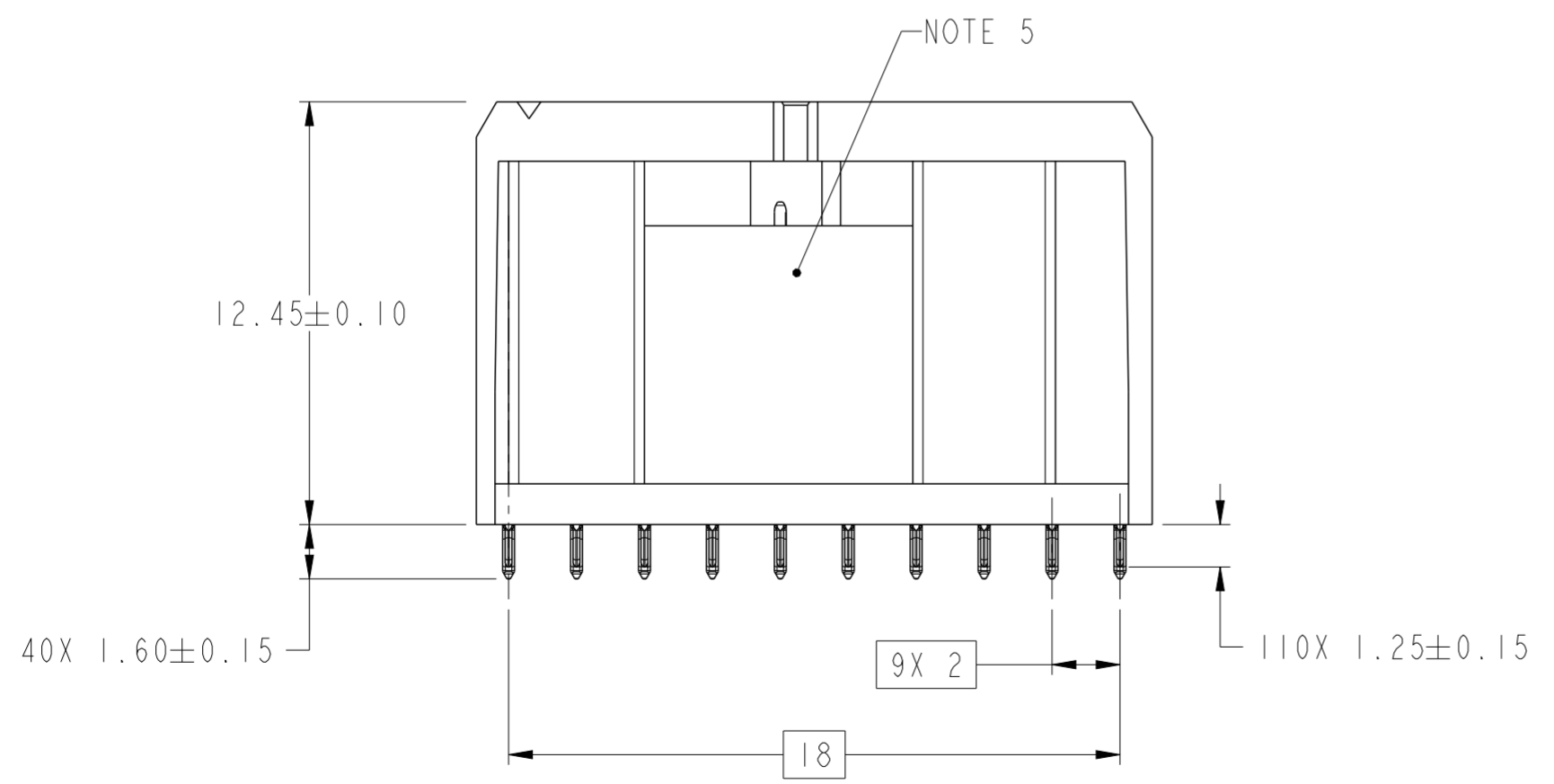
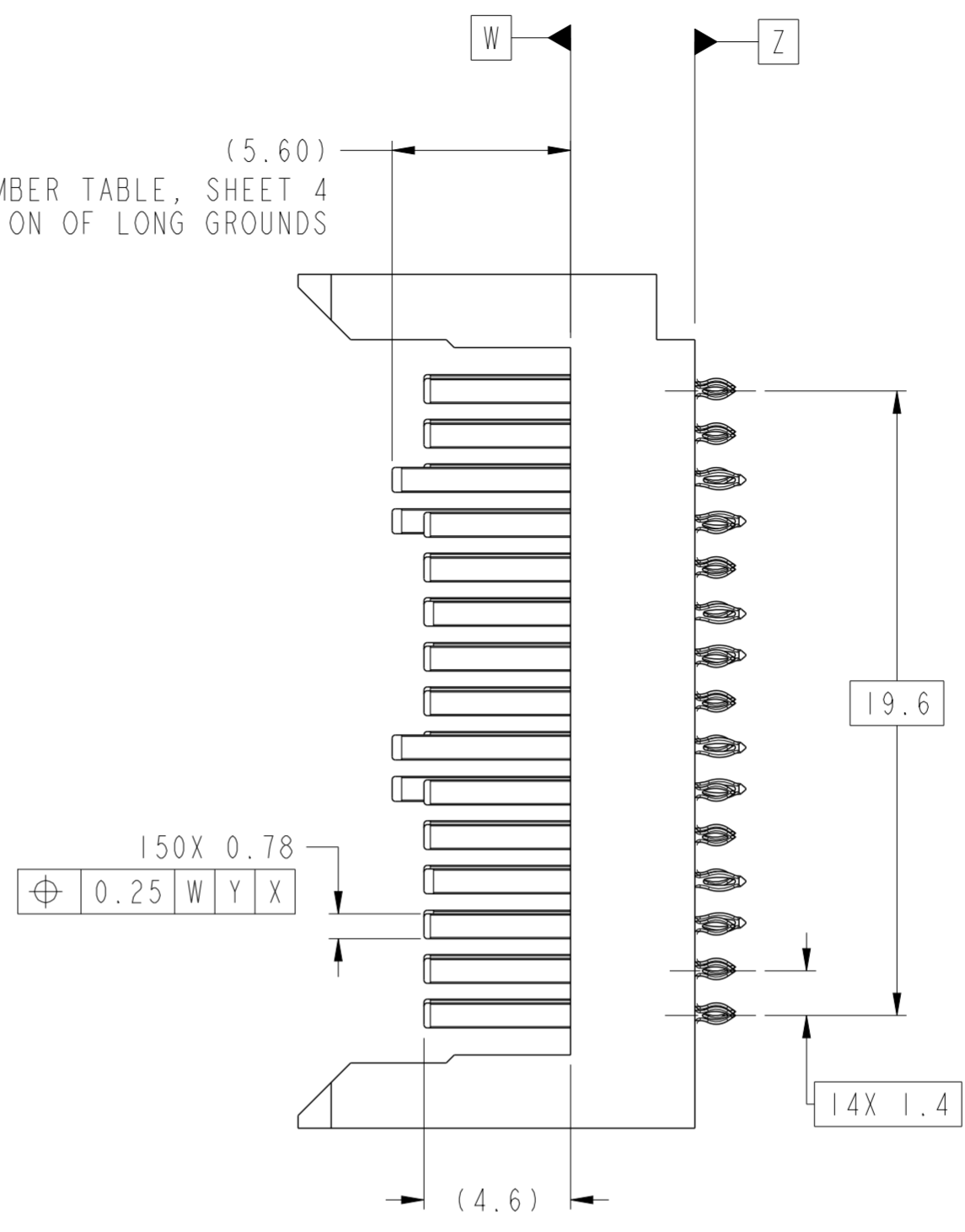
Address: A1208, Overseas Decoration Building, #122 Zhenhua RD., Futian, Shenzhen, China



Product number  
SEE TABLE, SHT 4



SEE PART NUMBER TABLE, SHEET 4  
FOR LOCATION OF LONG GROUNDS



spec ref	-	dr	Robin Johnson	2010/12/03	projection	MM	size	A2	scale	5:1		
tolerance std	ASME Y14.5	eng	Kou Xu	2014/06/05			ecn no	ELX-DG-17847-1	rel level	Released		
TOLERANCES UNLESS OTHERWISE SPECIFIED		chr	Zhi-Guo Qiao	2014/06/23							product family	AIRMAX VS
		appr	Collins Lu	2014/06/23								
surface	✓	linear	0.X	±0.3			title	AIRMAX VSE VERTICAL HEADER	div no	10116602	rev	D
ASME Y14.5	angular	0°	±2°	www.fci.com	cat. no.	-	Product - Customer Drw	sheet 1 of 4				

PDS: Rev :D

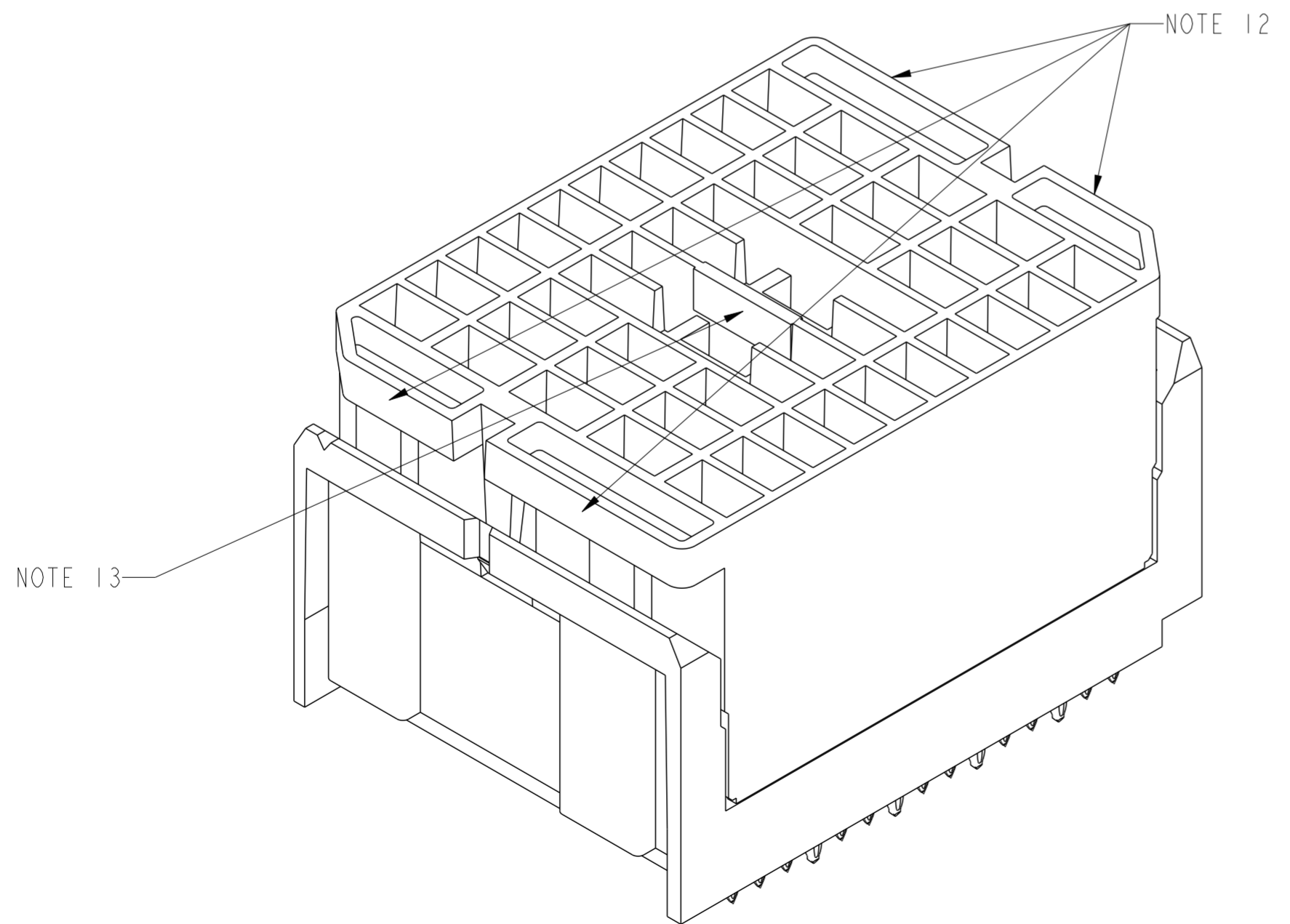
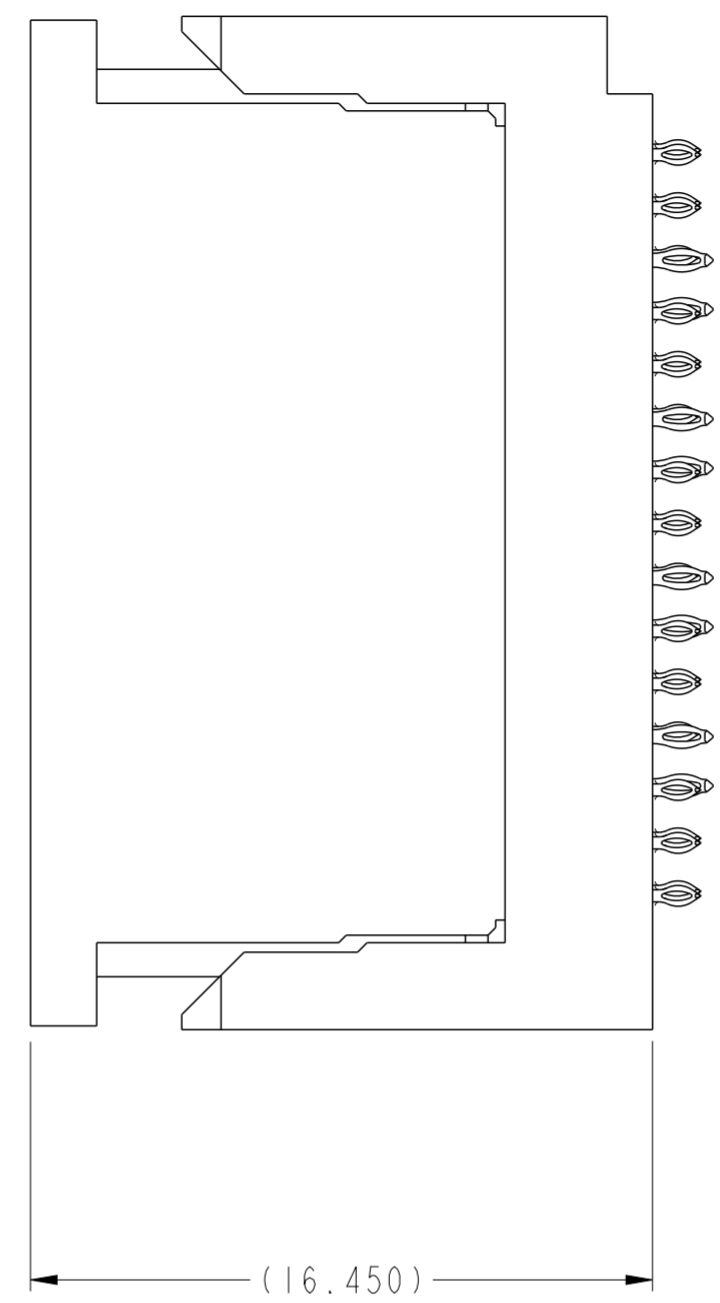
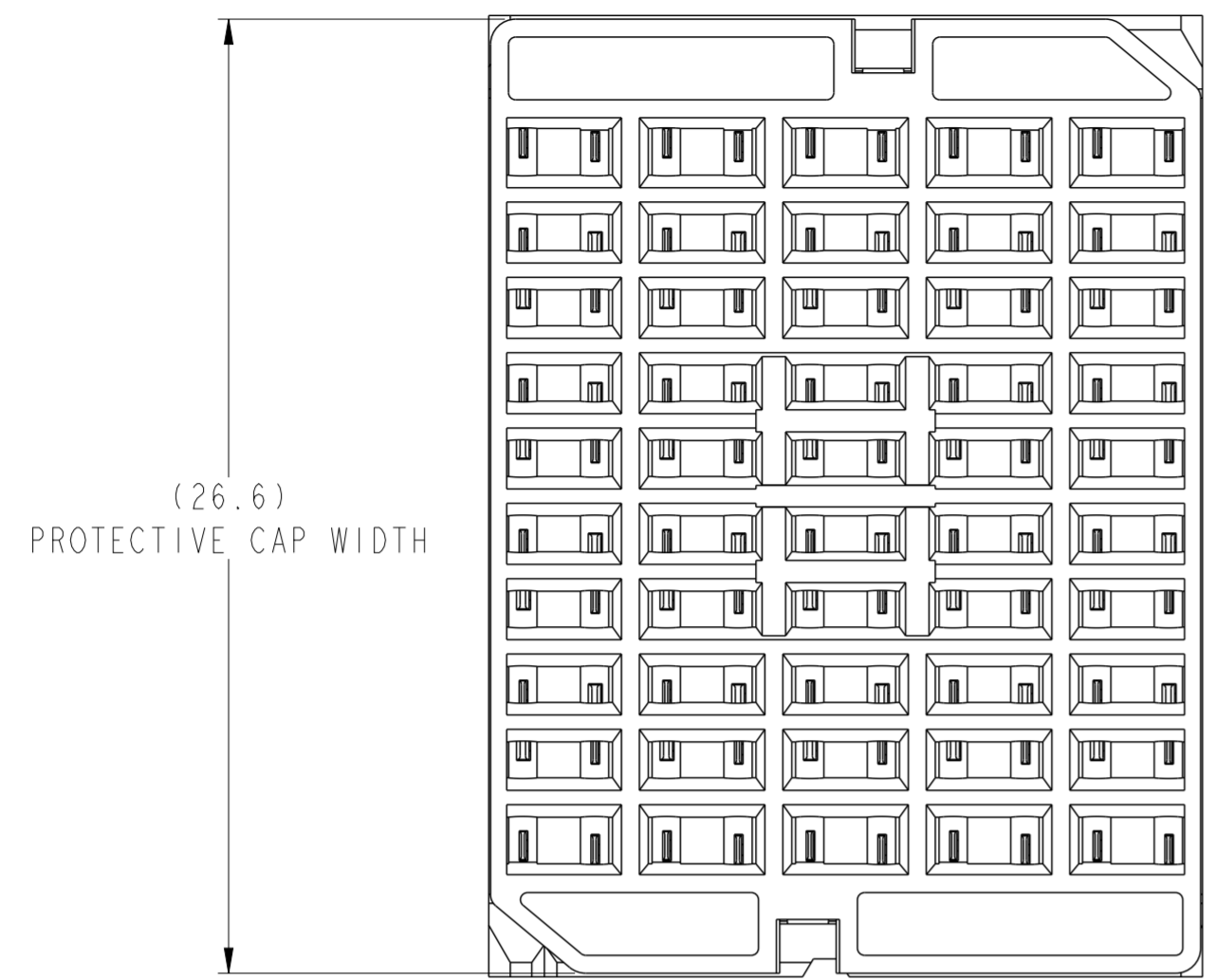
STATUS:Released

Printed: Jun 24, 2014

Copyright FCI.  
FCI

1 2 3 4 5 6 7 8

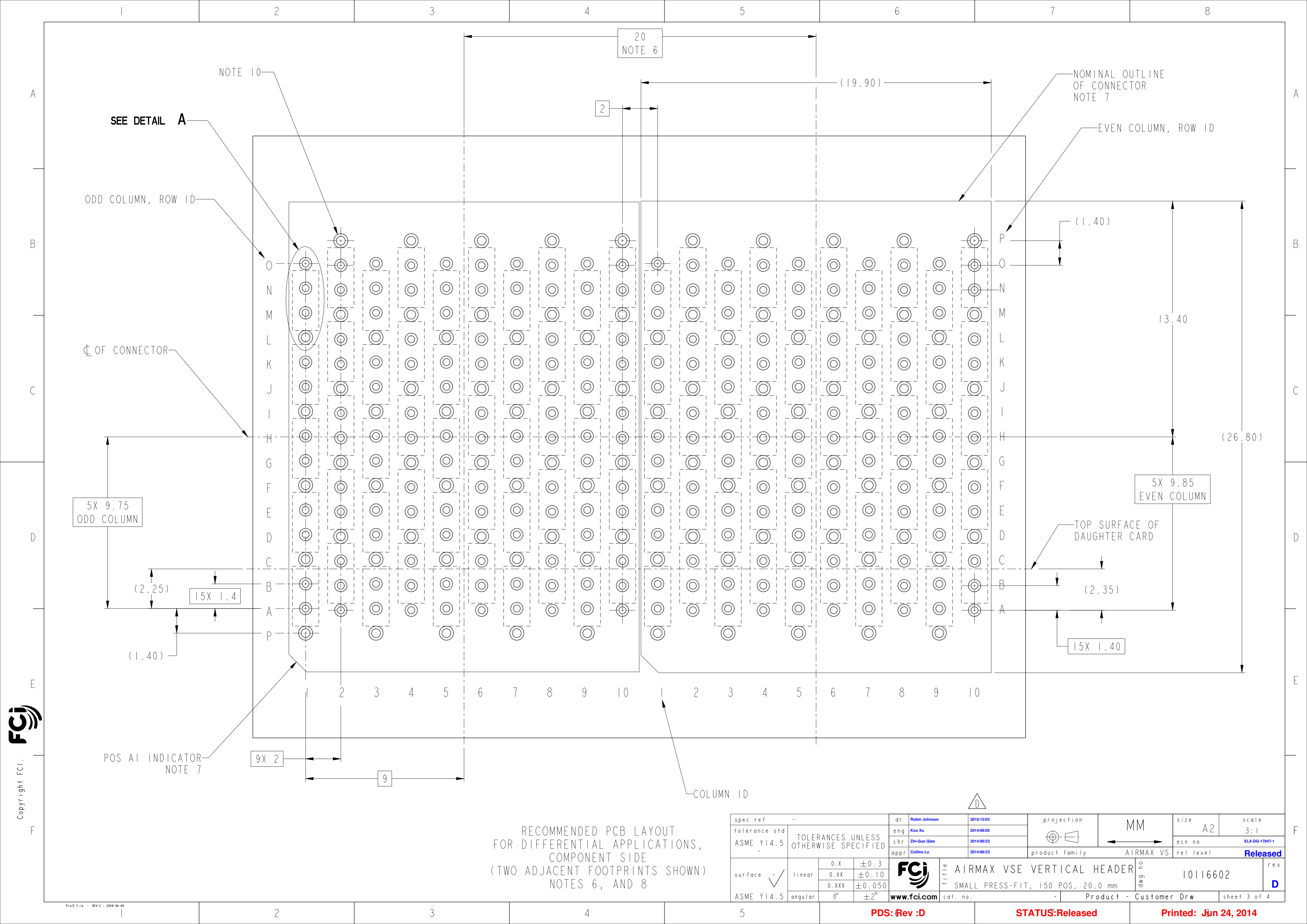
A B C D E F



VIEWS SHOWN WITH PROTECTIVE COVER INSTALLED

Copyright FCI. FCI

spec ref	-	dr	Robin Johnson	2010/12/03	projection	MM	size	A2	scale	5:1	
tolerance std	ASME Y14.5	eng	Kou Xu	2014/06/05			ecn no	ELX-DG-17847-1			
TOLERANCES UNLESS OTHERWISE SPECIFIED		chr	Zhi-Guo Qiao	2014/06/23			rel level	Released			
		appr	Collins Lu	2014/06/23			product family	AIRMAX VS			
surface	✓	linear	0.X	±0.3		<b>AIRMAX VSE VERTICAL HEADER</b> SMALL PRESS-FIT, 150 POS, 20.0 mm	divg no 10116602	rev D			
			0.XX	±0.10							
			0.XXX	±0.050							
		angular	0°	±2°	www.fci.com	cat. no.	-	Product - Customer Drw	sheet 2 of 4		



RECOMMENDED PCB LAYOUT  
 FOR DIFFERENTIAL APPLICATIONS,  
 COMPONENT SIDE  
 (TWO ADJACENT FOOTPRINTS SHOWN)  
 NOTES 6, AND 8

spec ref	-	dr	Robin Johnson	2010/12/03	projection	MM	size	A2	scale	3:1	
tolerance std	ASME Y14.5	eng	Kou Xu	2014/06/05			ecn no	ELX-DG-17847-1			
TOLERANCES UNLESS OTHERWISE SPECIFIED		chr	Zhi-Guo Qiao	2014/06/23			rel level	Released			
surface	✓	appr	Collins Lu	2014/06/23			product family	AIRMAX VS			
ASME Y14.5	angular	0°	±2°	www.fci.com	cat. no.	-	Product - Customer Drw	sheet 3 of 4	rev	D	
linear	0.X	±0.3	0.XX	±0.10	linear	0.XXX	±0.050	FCI	title	AIRMAX VSE VERTICAL HEADER	
linear	0.XXX	±0.050	angular	0°	±2°	www.fci.com	cat. no.	-	Product - Customer Drw	sheet 3 of 4	

PDS: Rev :D

STATUS:Released

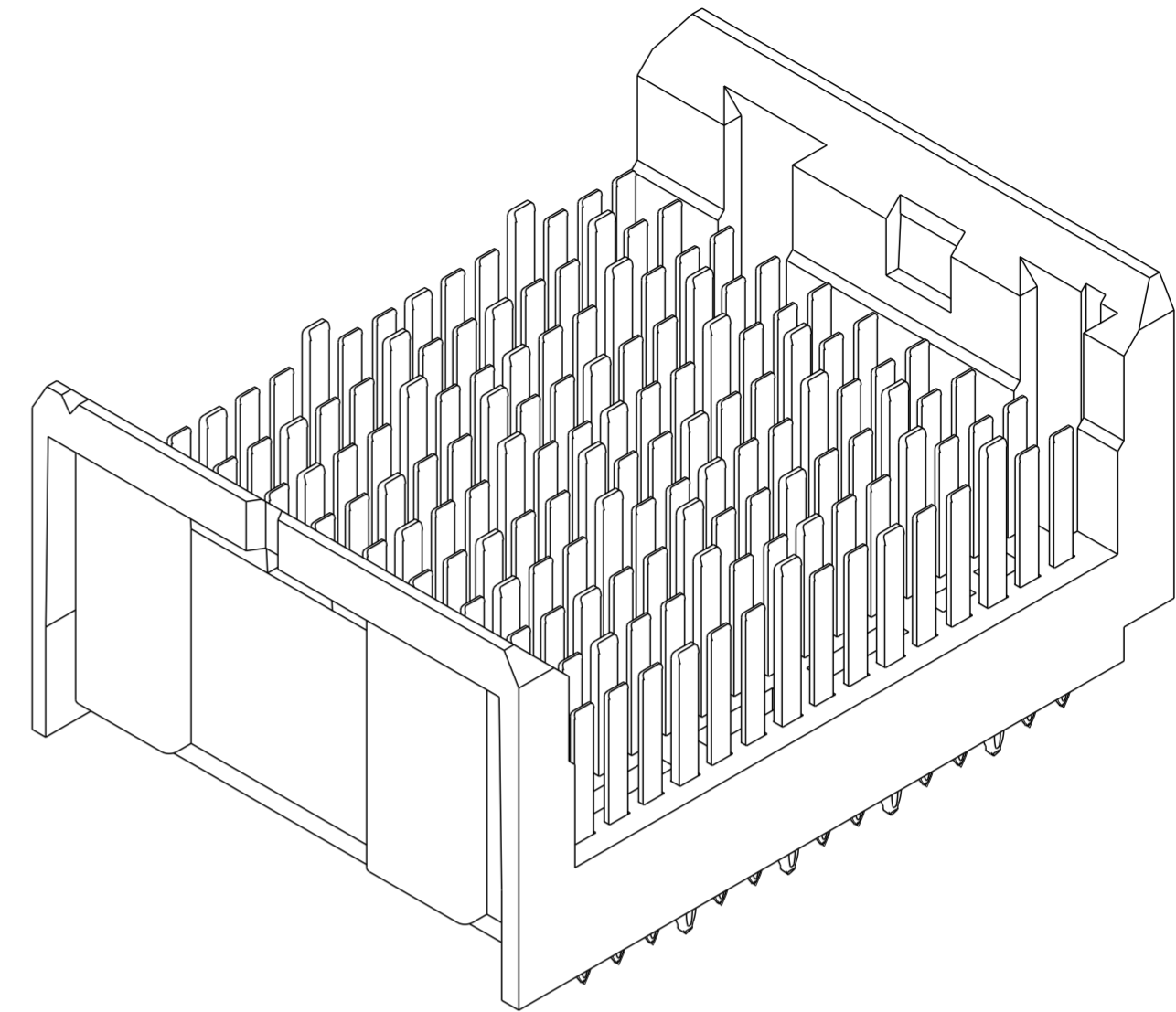
Printed: Jun 24, 2014

Copyright FCI.  
 FCI

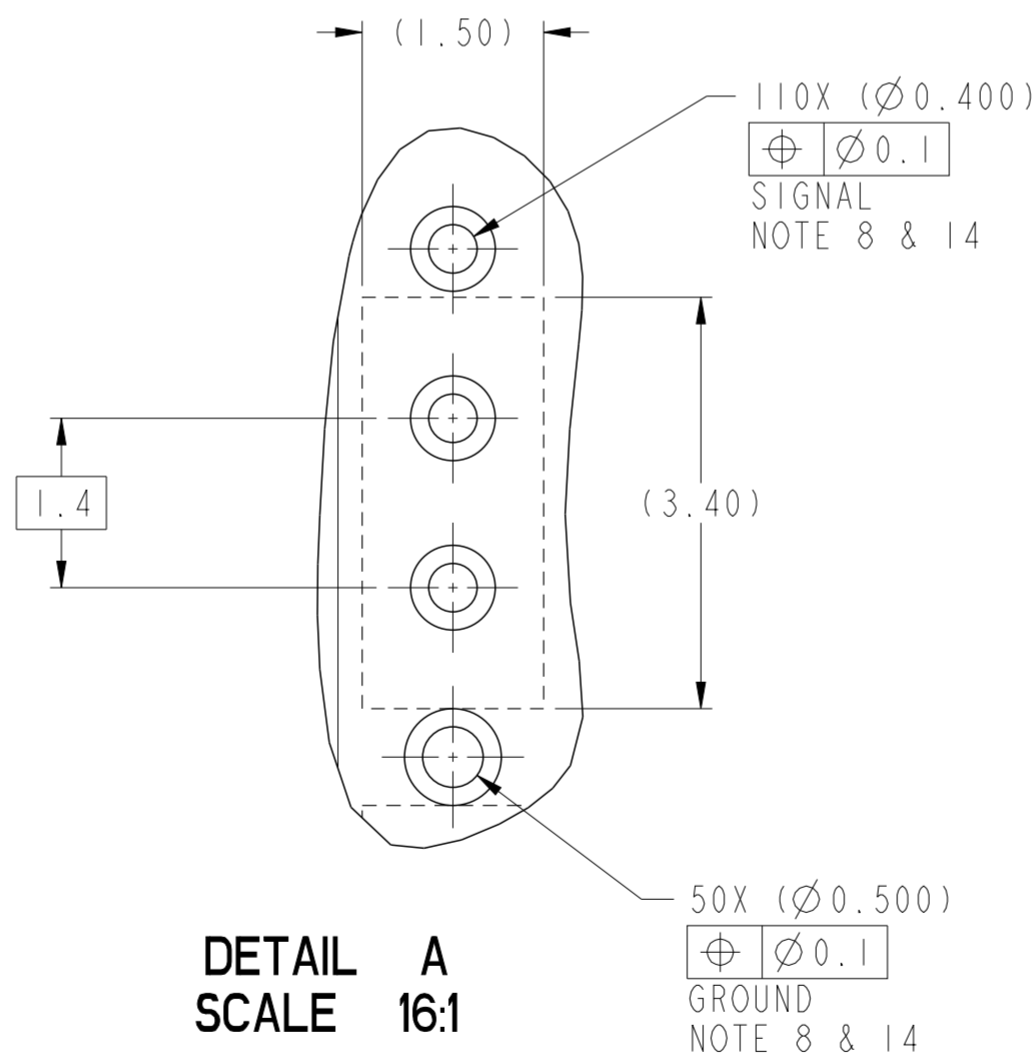
PART NUMBER	PRESS-FIT TAIL PLATING TYPE	PROTECTIVE COVER	LONG GROUND PIN LOCATIONS (5.6MM)	REMARK
10116602-101LF	TIN OVER NICKEL (LEAD FREE)	YES	L1, M2, L3, M4, L5, M6, L7, M8, L9, M10 F1, G2, F3, G4, F5, G6, F7, G8, F9, G10	WITHOUT SHORT DETECTION PIN
10116602-111LF	TIN OVER NICKEL (LEAD FREE)	YES	L1, M2, L3, M4, L5, M6, L7, M8, L9, M10 F1, G2, F3, G4, F5, G6, F7, G8, F9, G10	WITH SHORT DETECTION PIN

NOTES:

- CONNECTOR MATERIALS:  
HOUSING: HIGH TEMP THERMOPLASTIC, BLACK, UL94V-0  
CONTACT: COPPER ALLOY
- CONTACT PLATING:  
SEPARABLE INTERFACE: PERFORMANCE-BASED PLATING, QUALIFIED TO MEET THE REQUIREMENTS OF FCI PRODUCT SPECIFICATION GS-12-XXX INCLUDING TELCORDIA GR-1217-CORE (NOVEMBER 1995) CENTRAL OFFICE TEST SEQUENCE  
PRESS-FIT TAILS: SEE TABLE
- PRODUCT SPECIFICATION: GS-12-239.
- APPLICATION SPECIFICATION: GS-20-035
- PRODUCT MARKING, (PROTOTYPE, PART NUMBER & LOT CODE), ON THIS SURFACE.
- THE MINIMUM CENTERLINE SPACING BETWEEN ADJACENT MODULES IS 20.0 mm.
- CONNECTOR OUTLINE WITH HOUSING POS A1 INDICATOR MAY BE SCREEN PRINTED ONTO CUSTOMER PCB TO BE USED AS A GUIDE FOR MANUAL CONNECTOR PLACEMENT.
- REFER TO CUSTOMER DRAWING 10104444 FOR INFORMATION ON PCB HOLE DIAMETERS AND PLATING OPTIONS.
- LEAD FREE PRODUCT MEETS EUROPEAN UNION DIRECTIVES AND OTHER COUNTRY REGULATIONS AS DESCRIBED IN GS-22-008.
- THE OUTER VIAS IN COLUMN P ARE OPTIONAL. IF ADDED THESE HOLES PROVIDE GROUND SYMETRY THROUGH THE PCB. NO CONNECTOR EONS WILL BE PRESSED INTO THESE HOLES.
- PACKAGING MEETS GS-14-920 LEAD FREE LABELING SPECIFICATION.
- FOR REMOVAL OF THE PROTECTIVE CAP BY HAND, GRIP USING THESE SURFACES.
- FOR REMOVAL OF THE PROTECTIVE CAP WITH PLIERS, GRIP USING THIS FEATURE.
- GROUND VIAS IN POSITIONS C, F, I, L & P FOR ODD COLUMNS AND POSITIONS D, G, J, M & P FOR EVEN COLUMNS REQUIRE (Ø0.50) FINISHED HOLES. ALL OTHER VIAS REQUIRE (Ø0.40) FINISHED HOLES.
- SHORT DETECTION PIN O1 IS 0.50mm LESS WIPE NOMINAL THAN THE SHORTEST PIN.
- A  $\triangle$  SYMBOL WILL BE NEXT TO ANY DIMENSION, VIEW OR NOTE. THAT HAD BEEN MODIFIED WITH THE CURRENT DRAWING REVISION.



10116602-101LF



spec ref	-	dr	Robin Johnson	2010/12/03	projection	MM	size	A2	scale	5:1
tolerance std	ASME Y14.5	eng	Kou Xu	2014/06/05			ecn no	ELX-DG-17847-1		
TOLERANCES UNLESS OTHERWISE SPECIFIED		chr	Zhi-Guo Qiao	2014/06/23			rel level	Released		
surface	✓	appr	Collins Lu	2014/06/23	product family	AIRMAX VS	title	AIRMAX VSE VERTICAL HEADER		
ASME Y14.5	linear	0.X	±0.3	0.XX	±0.10	0.XXX	±0.050	angular	0°	±2°
		www.fci.com		cat. no.	-		Product - Customer Drw	sheet 4 of 4		