



Chipsmall Limited consists of a professional team with an average of over 10 year of expertise in the distribution of electronic components. Based in Hongkong, we have already established firm and mutual-benefit business relationships with customers from,Europe,America and south Asia,supplying obsolete and hard-to-find components to meet their specific needs.

With the principle of “Quality Parts,Customers Priority,Honest Operation,and Considerate Service”,our business mainly focus on the distribution of electronic components. Line cards we deal with include Microchip,ALPS,ROHM,Xilinx,Pulse,ON,Everlight and Freescale. Main products comprise IC,Modules,Potentiometer,IC Socket,Relay,Connector.Our parts cover such applications as commercial,industrial, and automotives areas.

We are looking forward to setting up business relationship with you and hope to provide you with the best service and solution. Let us make a better world for our industry!



Contact us

Tel: +86-755-8981 8866 Fax: +86-755-8427 6832

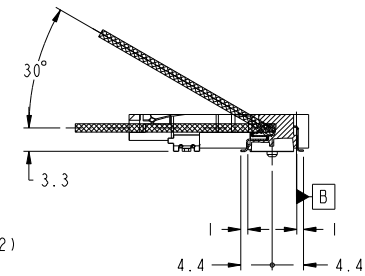
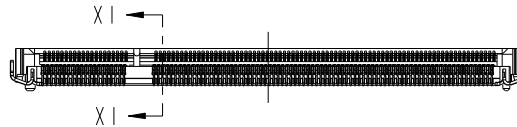
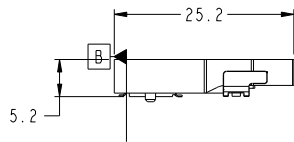
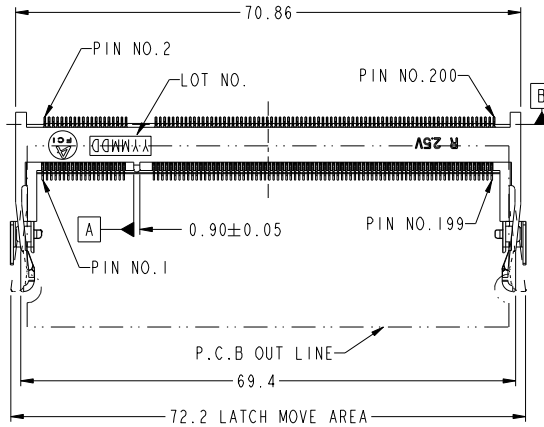
Email & Skype: info@chipsmall.com Web: www.chipsmall.com

Address: A1208, Overseas Decoration Building, #122 Zhenhua RD., Futian, Shenzhen, China

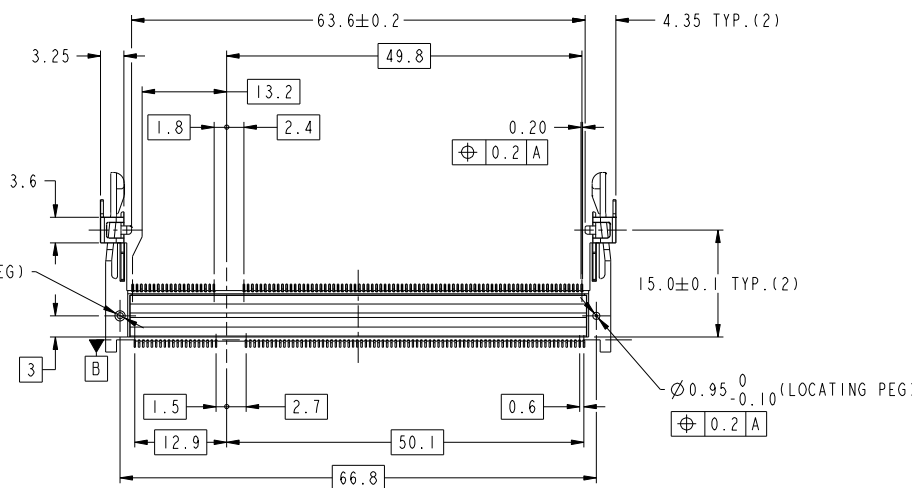


PRODUCT NO.

SEE SHEET 4



SECTION XI-XI



NOTE

1. PRODUCT SPEC. : GS-12-195
2. PACKAGING SPEC. : GS-14-786
3. MATERIAL:
 - 1) HOUSING : LCP, UL94V-0, COLOR BLACK
 - 2) CONTACT : COPPER ALLOY
 - 3) HOLD DOWN : BRASS
4. FINISH
 - 1) TERMINAL : SEE TABLE
 - 2) HOLD DOWN : SEE TABLE
5. CO-PLANARITY : 0.1 MAX. (INCLUDE HOLD DOWN)
6. THIS PRODUCT MEETS EUROPEAN UNION DIRECTIVES AND OTHER COUNTRY REGULATIONS AS DESCRIBED IN GS-22-008.
7. THE HOUSING WILL WITHSTAND EXPOSURE TO 260° PEAK TEMPERATURE FOR 10 SECONDS IN A REFLOW SOLDER APPLICATION.

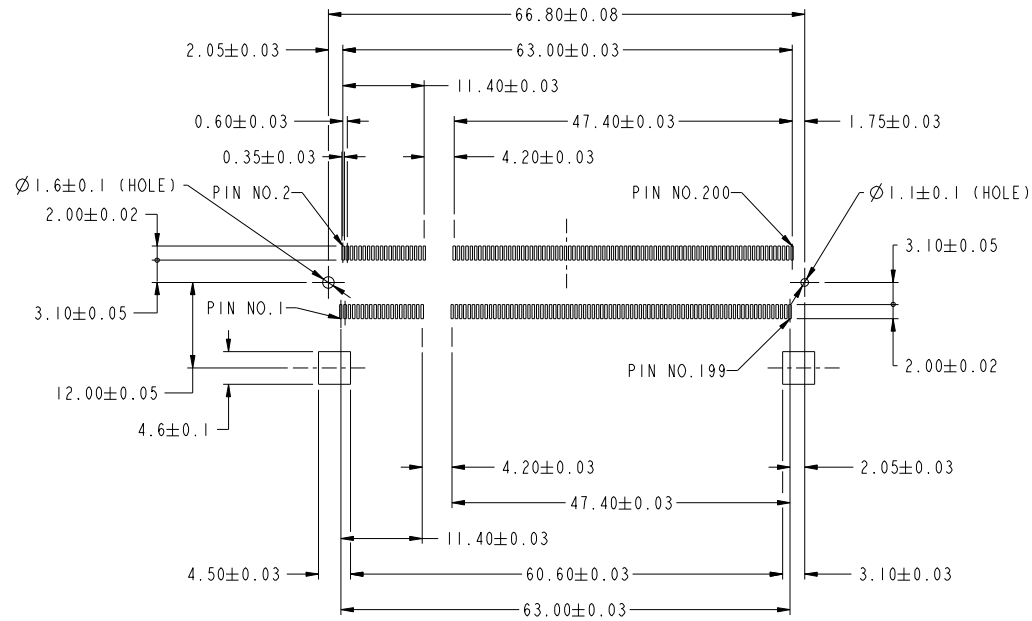
Copyright FCI

rev	ecn no	dr	date
A	DG11-0085	SH	2011-03-30
-	-	-	-
-	-	-	-
-	-	-	-
-	-	-	-

www.fciconnect.com		surface	tolerance std	projection	MM
		ASME Y14.5	ASME Y14.5		
TOLERANCES UNLESS OTHERWISE SPECIFIED					
Dr	SH MIAO	2011-03-30	ANGULAR	0.x	±0.30
Eng	SH MIAO	2011-03-30	LINEAR	0.xx	±0.15
Chr	RICK BIAN	2011-03-30	0° ±2°	0.xxx	±0.08
Appr	HSIA JOSEPH	2011-03-30	Product family	50UF	SO-DIMM
FCI				Spec ref	RELEASED
DDR SO-DIMM 0.6mm PITCH 200 POS				size	A2
REVERSE TYPE ASS'Y				Scale	1:1
catalog no				10116657	Rev.
				CUSTOMER COPY	sheet 1 of 4

PRODUCT NO.

10116657-x52xx



RECOMMENDED MOUNTING P.C.B. LAYOUT

Copyright FCI.
FCI

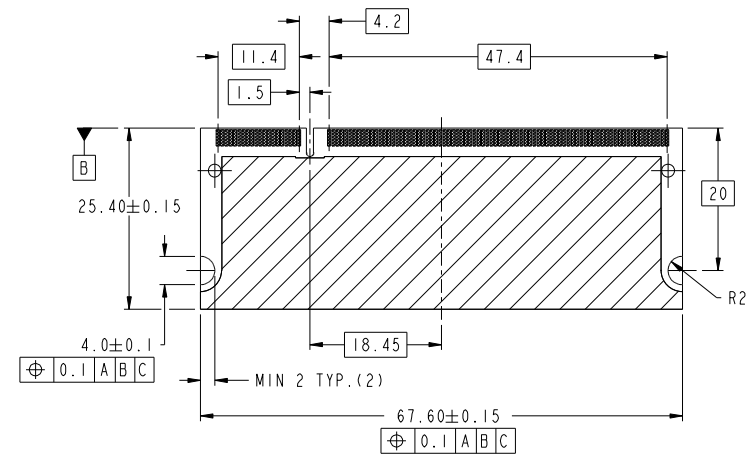
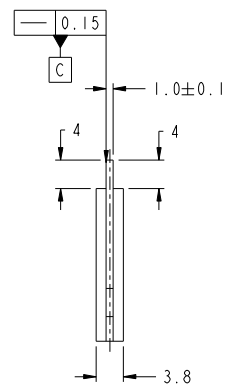
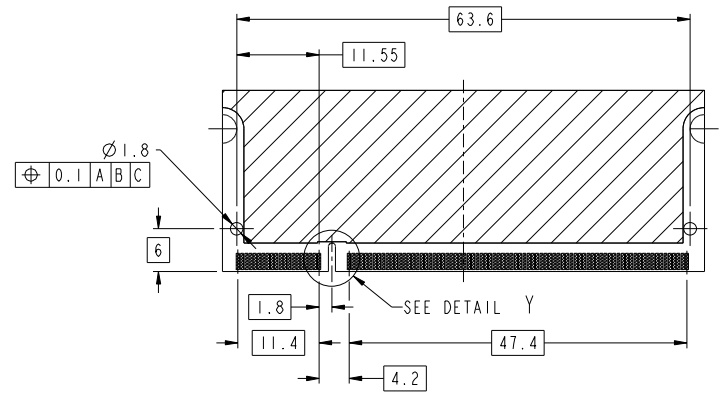
FCI	FILE	DDR SO-DIMM 0.6mm PITCH 200 POS	diag no	10116657	Rev.
	TITLE	REVERSE TYPE ASS'Y			A
	CATALOG NO		CUSTOMER COPY	sheet 2 of 4	

PDM: Rev:A

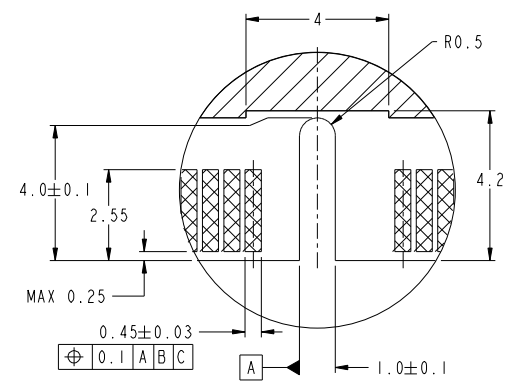
STATUS Released

Printed: Apr 22, 2011

PRODUCT NO.
10116657-x52xx



RECOMMENDED MODULE P.C.B LAYOUT



DETAIL Y
SCALE 10:1

Copyright FCI



FCI	TITLE	DDR SO-DIMM 0.6mm PITCH 200 POS	diag no	10116657	Rev.	A
	REVERSE TYPE ASS'Y		CUSTOMER COPY	sheet 3 of 4		
	CATALOG NO					

1		2		3		4		5		6		7		8				
PRODUCT NO.	LOCATING PEG	TERMINAL CONTACT AREA FINISH	HOLD DOWN FINISH	SOLDER TAIL FINISH														
10116657-052FS	YES	Au FLASH	Pure Sn PLATING	Au FLASH PLATING	10116657- □ □ □ □ □ LF	For Rohs OPTIONS: TAIL PLATING CODE MUST BE 0~3. HOLD DOWN PLATING CODE MUST BE "S". "LF" CODE IS EXIST IN THE END. EX: 10116657-252TSLF	FOR NOT Rohs COMPATIBLE: THIS "LF" CODE IS "BLANK". EX:10116657-452TS	<PACKING METHOD> R : TAPE REEL DEFAULT : TRAY	<HOLD DOWN FINISH> S : Pure Sn B : Sn-Pb	<CONTACT AREA FINISH> F : Au FLASH T : Au 0.3μm MIN. A : Au 0.76μm MIN.	<TOTAL HEIGHT> 52 : 5.2mm	<LOCATING PEG, SOLDER TAIL FINISH> 0 : YES, Au FLASH 1 : NO, Au FLASH 2 : YES, Pure Sn PLATING 3 : NO, Pure Sn PLATING 4 : YES, Sn-Pb PLATING 5 : NO, Sn-Pb PLATING	A	B	C	D	E	F
10116657-152FS	NO																	
10116657-052TS	YES	Au 0.3μm MIN.																
10116657-152TS	NO																	
10116657-052AS	YES	Au 0.76μm MIN.																
10116657-152AS	NO																	
10116657-052FC	YES	Au FLASH	Sn-Pb PLATING	Pure Sn PLATING	10116657- □ □ □ □ □ LF	For Rohs OPTIONS: TAIL PLATING CODE MUST BE 0~3. HOLD DOWN PLATING CODE MUST BE "S". "LF" CODE IS EXIST IN THE END. EX: 10116657-252TSLF	FOR NOT Rohs COMPATIBLE: THIS "LF" CODE IS "BLANK". EX:10116657-452TS	<PACKING METHOD> R : TAPE REEL DEFAULT : TRAY	<HOLD DOWN FINISH> S : Pure Sn B : Sn-Pb	<CONTACT AREA FINISH> F : Au FLASH T : Au 0.3μm MIN. A : Au 0.76μm MIN.	<TOTAL HEIGHT> 52 : 5.2mm	<LOCATING PEG, SOLDER TAIL FINISH> 0 : YES, Au FLASH 1 : NO, Au FLASH 2 : YES, Pure Sn PLATING 3 : NO, Pure Sn PLATING 4 : YES, Sn-Pb PLATING 5 : NO, Sn-Pb PLATING	A	B	C	D	E	F
10116657-152FC	NO																	
10116657-052TC	YES	Au 0.3μm MIN.																
10116657-152TC	NO																	
10116657-052AC	YES	Au 0.76μm MIN.																
10116657-152AC	NO																	
10116657-252FS	YES	Au FLASH	Pure Sn PLATING	Pure Sn PLATING	10116657- □ □ □ □ □ LF	For Rohs OPTIONS: TAIL PLATING CODE MUST BE 0~3. HOLD DOWN PLATING CODE MUST BE "S". "LF" CODE IS EXIST IN THE END. EX: 10116657-252TSLF	FOR NOT Rohs COMPATIBLE: THIS "LF" CODE IS "BLANK". EX:10116657-452TS	<PACKING METHOD> R : TAPE REEL DEFAULT : TRAY	<HOLD DOWN FINISH> S : Pure Sn B : Sn-Pb	<CONTACT AREA FINISH> F : Au FLASH T : Au 0.3μm MIN. A : Au 0.76μm MIN.	<TOTAL HEIGHT> 52 : 5.2mm	<LOCATING PEG, SOLDER TAIL FINISH> 0 : YES, Au FLASH 1 : NO, Au FLASH 2 : YES, Pure Sn PLATING 3 : NO, Pure Sn PLATING 4 : YES, Sn-Pb PLATING 5 : NO, Sn-Pb PLATING	A	B	C	D	E	F
10116657-352FS	NO																	
10116657-252TS	YES	Au 0.3μm MIN.																
10116657-352TS	NO																	
10116657-252AS	YES	Au 0.76μm MIN.																
10116657-352AS	NO																	
10116657-252FC	YES	Au FLASH	Sn-Pb PLATING	Pure Sn PLATING	10116657- □ □ □ □ □ LF	For Rohs OPTIONS: TAIL PLATING CODE MUST BE 0~3. HOLD DOWN PLATING CODE MUST BE "S". "LF" CODE IS EXIST IN THE END. EX: 10116657-252TSLF	FOR NOT Rohs COMPATIBLE: THIS "LF" CODE IS "BLANK". EX:10116657-452TS	<PACKING METHOD> R : TAPE REEL DEFAULT : TRAY	<HOLD DOWN FINISH> S : Pure Sn B : Sn-Pb	<CONTACT AREA FINISH> F : Au FLASH T : Au 0.3μm MIN. A : Au 0.76μm MIN.	<TOTAL HEIGHT> 52 : 5.2mm	<LOCATING PEG, SOLDER TAIL FINISH> 0 : YES, Au FLASH 1 : NO, Au FLASH 2 : YES, Pure Sn PLATING 3 : NO, Pure Sn PLATING 4 : YES, Sn-Pb PLATING 5 : NO, Sn-Pb PLATING	A	B	C	D	E	F
10116657-352FC	NO																	
10116657-252TC	YES	Au 0.3μm MIN.																
10116657-352TC	NO																	
10116657-252AC	YES	Au 0.76μm MIN.																
10116657-352AC	NO																	
10116657-452FS	YES	Au FLASH	Pure Sn PLATING	Sn-Pb PLATING	10116657- □ □ □ □ □ LF	For Rohs OPTIONS: TAIL PLATING CODE MUST BE 0~3. HOLD DOWN PLATING CODE MUST BE "S". "LF" CODE IS EXIST IN THE END. EX: 10116657-252TSLF	FOR NOT Rohs COMPATIBLE: THIS "LF" CODE IS "BLANK". EX:10116657-452TS	<PACKING METHOD> R : TAPE REEL DEFAULT : TRAY	<HOLD DOWN FINISH> S : Pure Sn B : Sn-Pb	<CONTACT AREA FINISH> F : Au FLASH T : Au 0.3μm MIN. A : Au 0.76μm MIN.	<TOTAL HEIGHT> 52 : 5.2mm	<LOCATING PEG, SOLDER TAIL FINISH> 0 : YES, Au FLASH 1 : NO, Au FLASH 2 : YES, Pure Sn PLATING 3 : NO, Pure Sn PLATING 4 : YES, Sn-Pb PLATING 5 : NO, Sn-Pb PLATING	A	B	C	D	E	F
10116657-552FS	NO																	
10116657-452TS	YES	Au 0.3μm MIN.																
10116657-552TS	NO																	
10116657-452AS	YES	Au 0.76μm MIN.																
10116657-552AS	NO																	
10116657-452FC	YES	Au FLASH	Sn-Pb PLATING	Sn-Pb PLATING	10116657- □ □ □ □ □ LF	For Rohs OPTIONS: TAIL PLATING CODE MUST BE 0~3. HOLD DOWN PLATING CODE MUST BE "S". "LF" CODE IS EXIST IN THE END. EX: 10116657-252TSLF	FOR NOT Rohs COMPATIBLE: THIS "LF" CODE IS "BLANK". EX:10116657-452TS	<PACKING METHOD> R : TAPE REEL DEFAULT : TRAY	<HOLD DOWN FINISH> S : Pure Sn B : Sn-Pb	<CONTACT AREA FINISH> F : Au FLASH T : Au 0.3μm MIN. A : Au 0.76μm MIN.	<TOTAL HEIGHT> 52 : 5.2mm	<LOCATING PEG, SOLDER TAIL FINISH> 0 : YES, Au FLASH 1 : NO, Au FLASH 2 : YES, Pure Sn PLATING 3 : NO, Pure Sn PLATING 4 : YES, Sn-Pb PLATING 5 : NO, Sn-Pb PLATING	A	B	C	D	E	F
10116657-552FC	NO																	
10116657-452TC	YES	Au 0.3μm MIN.																
10116657-552TC	NO																	
10116657-452AC	YES	Au 0.76μm MIN.																
10116657-552AC	NO																	

Copyright FCI

FCI	DDR SO-DIMM 0.6mm PITCH 200 POS	Rev.
	REVERSE TYPE ASS'Y	A
catalog no	10116657	sheet 4 of 4
CUSTOMER COPY		