



Chipsmall Limited consists of a professional team with an average of over 10 year of expertise in the distribution of electronic components. Based in Hongkong, we have already established firm and mutual-benefit business relationships with customers from,Europe,America and south Asia,supplying obsolete and hard-to-find components to meet their specific needs.

With the principle of “Quality Parts,Customers Priority,Honest Operation,and Considerate Service”,our business mainly focus on the distribution of electronic components. Line cards we deal with include Microchip,ALPS,ROHM,Xilinx,Pulse,ON,Everlight and Freescale. Main products comprise IC,Modules,Potentiometer,IC Socket,Relay,Connector.Our parts cover such applications as commercial,industrial, and automotives areas.

We are looking forward to setting up business relationship with you and hope to provide you with the best service and solution. Let us make a better world for our industry!



## Contact us

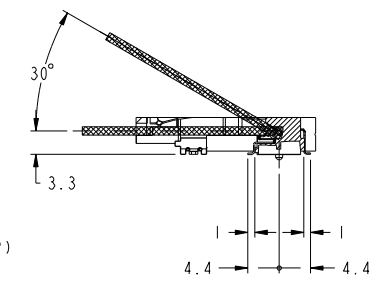
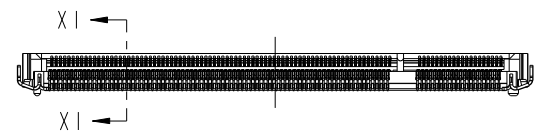
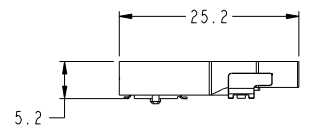
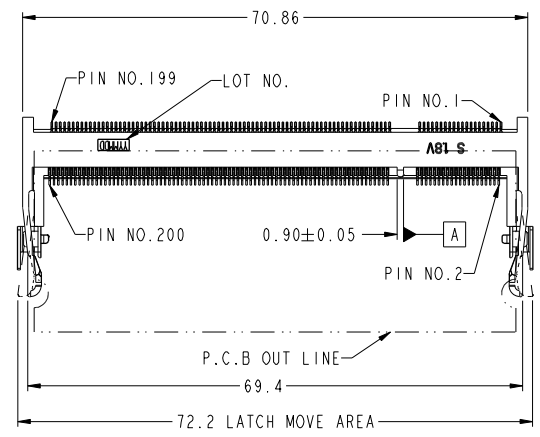
Tel: +86-755-8981 8866 Fax: +86-755-8427 6832

Email & Skype: info@chipsmall.com Web: www.chipsmall.com

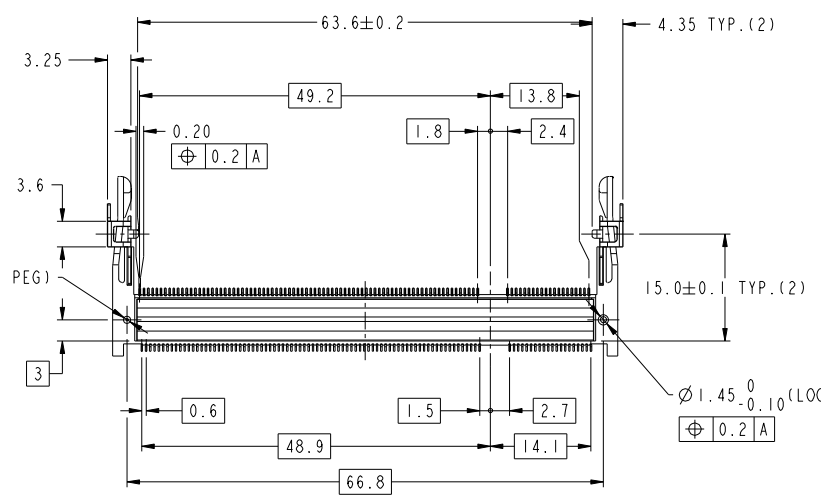
Address: A1208, Overseas Decoration Building, #122 Zhenhua RD., Futian, Shenzhen, China



PRODUCT NO.  
10116658-\*52\*\*



SECTION XI-XI



- NOTE
1. PRODUCT SPEC. : GS-12-195
  2. PACKAGING SPEC. : GS-14-786

3. MATERIAL:
  - 1) HOUSING : LCP, UL94V-0, COLOR BLACK
  - 2) CONTACT : COPPER ALLOY
  - 3) HOLD DOWN : BRASS

4. FINISH
  - 1) TERMINAL : SEE TABLE
  - 2) HOLD DOWN : SEE TABLE
5. CO-PLANARITY : 0.1 MAX.(INCLUDE HOLD DOWN)

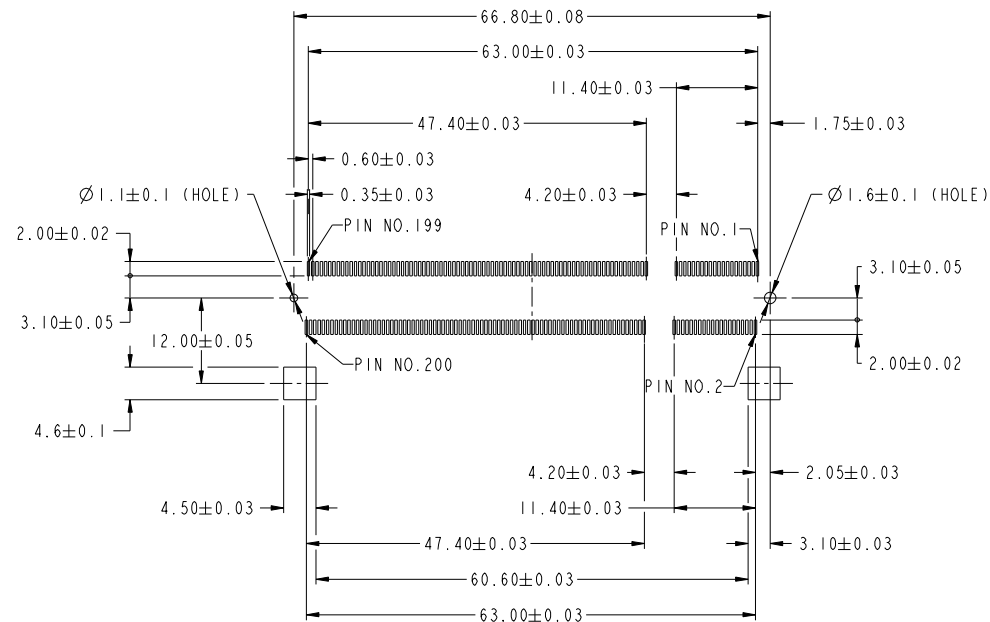
6. THIS PRODUCT MEETS EUROPEAN UNION DIRECTIVES AND OTHER COUNTRY REGULATIONS AS DESCRIBED IN GS-22-008.
7. THE HOUSING WILL WITHSTAND EXPOSURE TO 260° PEAK TEMPERATURE FOR 10 SECONDS IN A REFLOW SOLDER APPLICATION.

Copyright FCI.

www.fciconnect.com				surface	tolerance std	projection	MM
				ASME Y14.5	ASME Y14.5		
				TOLERANCES UNLESS OTHERWISE SPECIFIED			
rev	ecn no	dr	date	Dr	SH MIAO	2011-03-28	ANGULAR
A	DG11-0085	SH	2011-03-28	Eng	SH MIAO	2011-03-28	LINEAR
				Chr	RICK BIAN	2011-03-28	0° ±5°
				Appr	RICK BIAN	2011-03-28	0.xxx ±0.15
							0.xxx ±0.08
							size
							A2
							Scale
							1:1
							ECN
							DG11-0085
							Spec ref
							RELEASED
							Product family
							50UF SO-DIMM
							Spec ref
							RELEASED
							Part no
							DDR II 0.6mm PITCH 200 POS
							10116658
							Rev.
							A
							Customer copy
							sheet 1 of 4

PRODUCT NO.

10116658-\*52\*\*



RECOMMENDED MOUNTING P.C.B LAYOUT

Copyright FCI.  
FCI

FCI	FILE	DDR II 0.6mm PITCH 200 POS	diag no	10116658	Rev.
	TITLE	STANDARD TYPE ASS'Y			A
	CATALOG NO		CUSTOMER COPY	sheet 2 of 4	

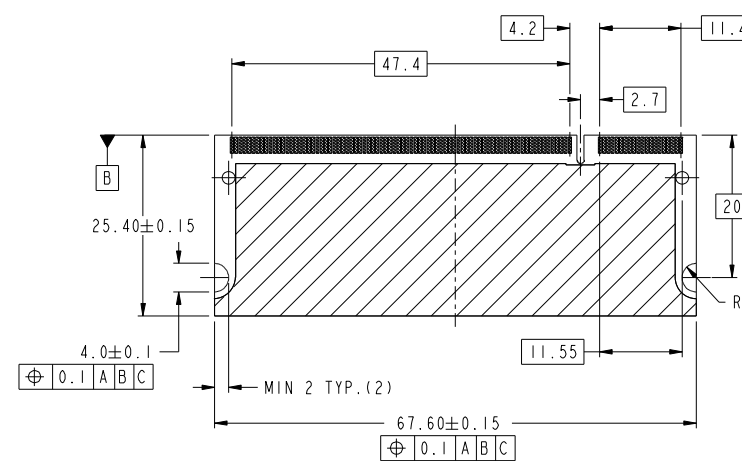
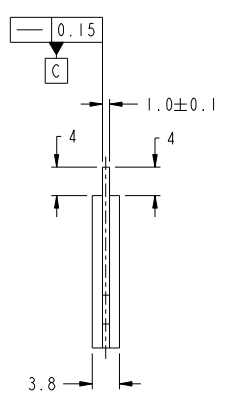
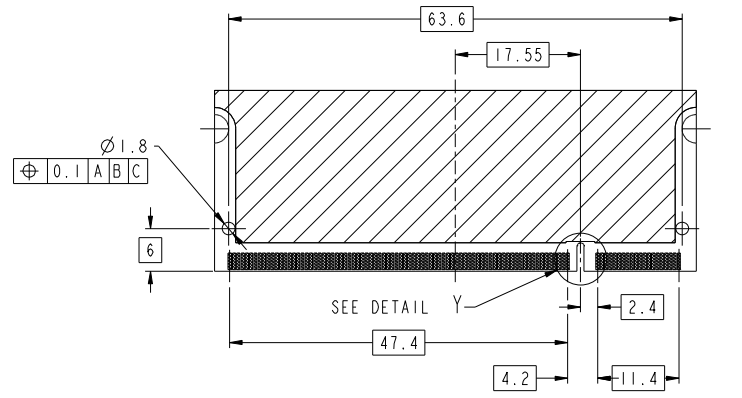
PDM: Rev:A

STATUS: Released

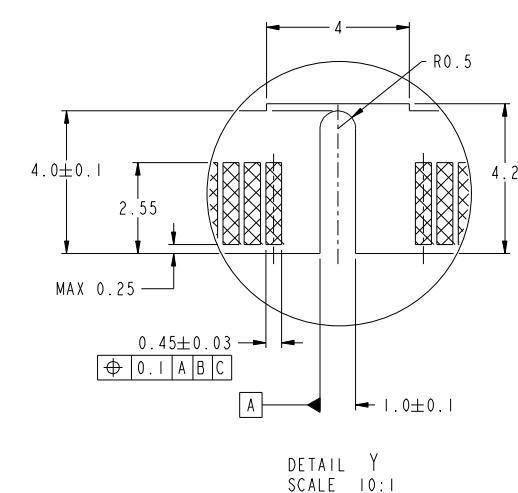
Printed: Apr 22, 2011

PRODUCT NO.

10116658-\*52\*\*



RECOMMENDED MODULE P.C.B LAYOUT



DETAIL Y  
SCALE 10:1

Copyright FCI



FCI	FILE	DDR 11 0.6mm PITCH 200 POS	diag no	10116658	Rev.
	TITLE	STANDARD TYPE ASS'Y			A
	CATALOG NO		CUSTOMER COPY	sheet 3 of 4	

1		2		3		4		5		6		7		8	
PRODUCT NO.	LOCATING PEG	TERMINAL CONTACT AREA FINISH	HOLD-DOWN FINISH	SOLDER TAIL FINISH											
A	10116658-052FSLF	YES	Au FLASH	PURE Sn PLATING	Au FLASH	10116658- <input type="checkbox"/> <input type="checkbox"/> <input type="checkbox"/> <input type="checkbox"/> <input type="checkbox"/> LF For Rohs OPTIONS: TAIL PLATING CODE MUST BE 0-3. HOLD-DOWN PLATING CODE MUST BE "S". "LF" CODE IS EXIST IN THE END. EX: 10116658-252TSLF  FOR NOT Rohs COMPATIBLE: THIS "LF" CODE IS "BLANK". EX: 10116658-452TS  <PACKING METHOD> R : TAPE REEL DEFAULT : TRAY  <HOLD-DOWN FINISH> S : Pure Sn B : Sn-Pb  <CONTACT AREA FINISH> F : Au FLASH T : Au 0.3μm MIN. A : Au 0.76μm MIN.  <TOTAL HEIGHT> S2 : 5.2mm  <LOCATING PEG, SOLDER TAIL FINISH> 0 : YES, Au FLASH 1 : NO, Au FLASH 2 : YES, Pure Sn PLATING 3 : NO, Pure Sn PLATING 4 : YES, Sn-Pb PLATING 5 : NO, Sn-Pb PLATING									
	10116658-152FSLF	NO													
	10116658-052TSLF	YES	Au 0.3μm MIN.												
	10116658-152TSLF	NO													
B	10116658-052ASLF	YES	Au 0.76μm MIN.	Sn-Pb PLATING											
	10116658-152ASLF	NO													
	10116658-052FB	YES	Au FLASH												
	10116658-152FB	NO													
10116658-052TB	YES	Au 0.3μm MIN.													
10116658-152TB	NO														
C	10116658-052AB	YES	Au 0.76μm MIN.	Pure Sn PLATING											
	10116658-152AB	NO													
	10116658-252FSLF	YES	Au FLASH												
	10116658-352FSLF	NO													
10116658-252TSLF	YES	Au 0.3μm MIN.													
10116658-352TSLF	NO														
D	10116658-252ASLF	YES	Au 0.76μm MIN.	Sn-Pb PLATING											
	10116658-352ASLF	NO													
	10116658-252FB	YES	Au FLASH												
	10116658-352FB	NO													
10116658-252TB	YES	Au 0.3μm MIN.													
10116658-352TB	NO														
E	10116658-252AB	YES	Au 0.76μm MIN.	Sn-Pb PLATING											
	10116658-352AB	NO													
	10116658-452FS	YES	Au FLASH												
	10116658-552FS	NO													
10116658-452TS	YES	Au 0.3μm MIN.													
10116658-552TS	NO														
F	10116658-452AS	YES	Au 0.76μm MIN.	Sn-Pb PLATING											
	10116658-552AS	NO													
	10116658-452FB	YES	Au FLASH												
	10116658-552FB	NO													
10116658-452TB	YES	Au 0.3μm MIN.													
10116658-552TB	NO														
10116658-452AB	YES	Au 0.76μm MIN.													
10116658-552AB	NO														

Copyright FCI.

FCI	DDR 11 0.6mm PITCH 200 POS	10116658	Rev.
	STANDARD TYPE ASS'Y	A	
catalog no	CUSTOMER COPY		sheet 4 of 4