



Chipsmall Limited consists of a professional team with an average of over 10 year of expertise in the distribution of electronic components. Based in Hongkong, we have already established firm and mutual-benefit business relationships with customers from,Europe,America and south Asia,supplying obsolete and hard-to-find components to meet their specific needs.

With the principle of “Quality Parts,Customers Priority,Honest Operation,and Considerate Service”,our business mainly focus on the distribution of electronic components. Line cards we deal with include Microchip,ALPS,ROHM,Xilinx,Pulse,ON,Everlight and Freescale. Main products comprise IC,Modules,Potentiometer,IC Socket,Relay,Connector.Our parts cover such applications as commercial,industrial, and automotives areas.

We are looking forward to setting up business relationship with you and hope to provide you with the best service and solution. Let us make a better world for our industry!



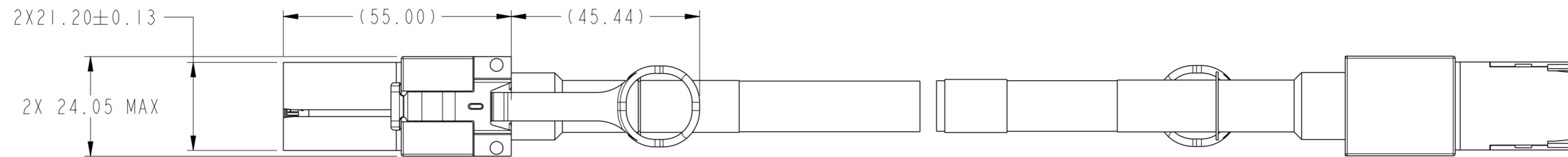
Contact us

Tel: +86-755-8981 8866 Fax: +86-755-8427 6832

Email & Skype: info@chipsmall.com Web: www.chipsmall.com

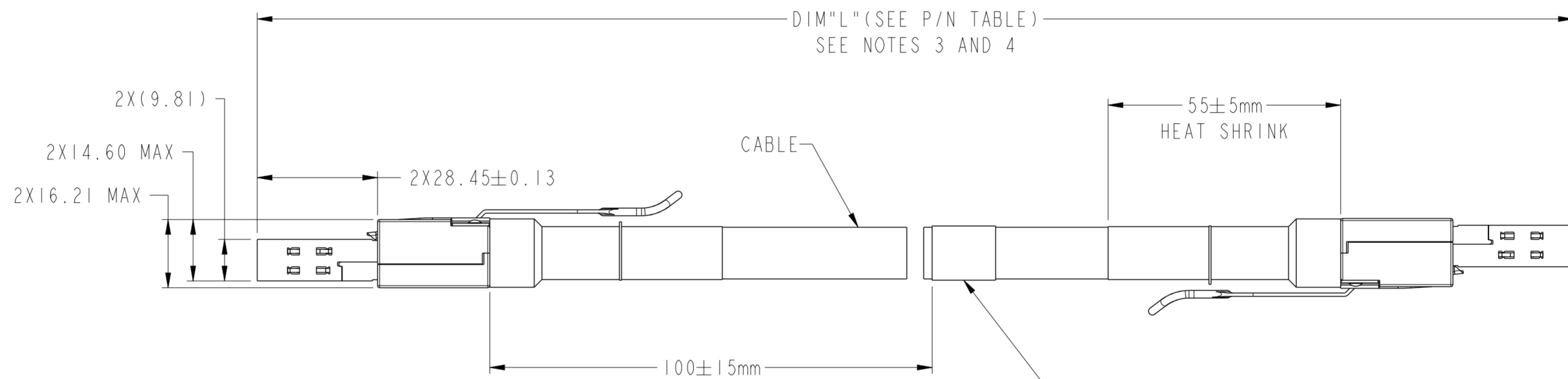
Address: A1208, Overseas Decoration Building, #122 Zhenhua RD., Futian, Shenzhen, China





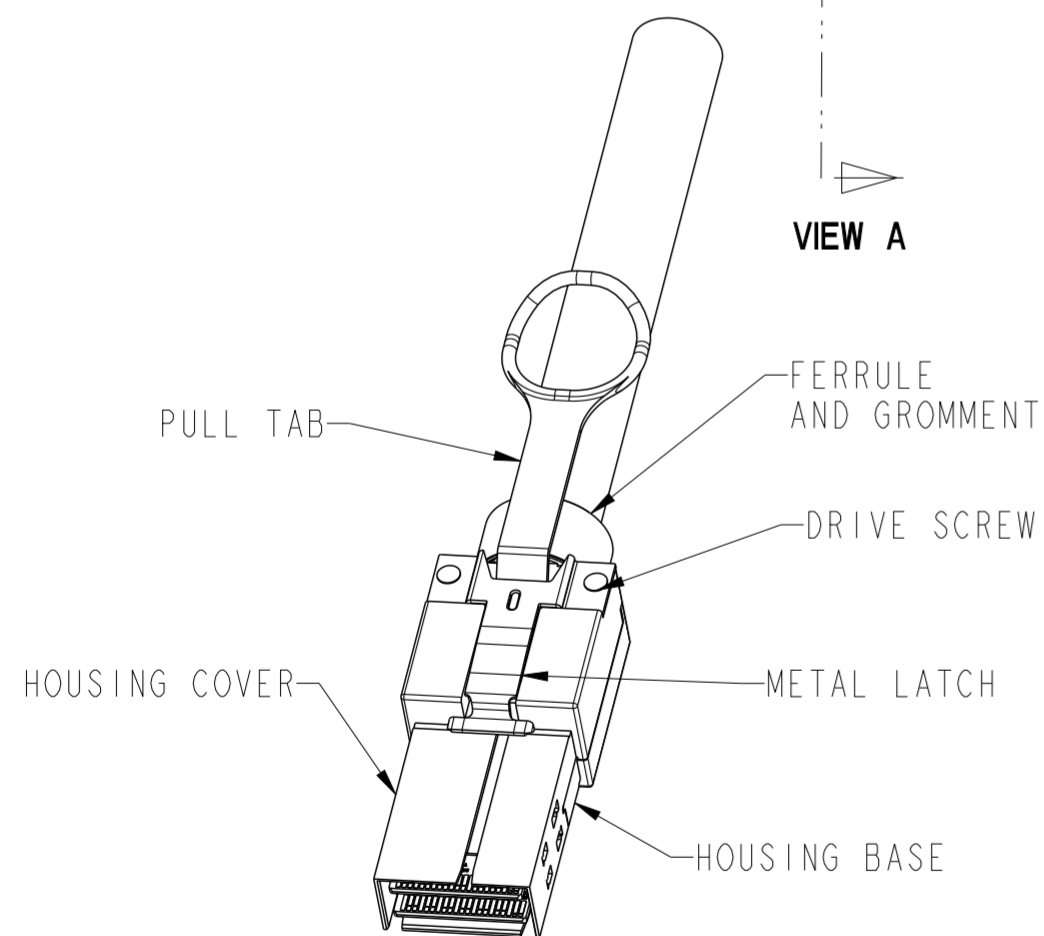
**END P1
CABLE CONNECTOR
CXP (PASSIVE) PLUG**

**END P2
CABLE CONNECTOR
CXP (PASSIVE) PLUG**

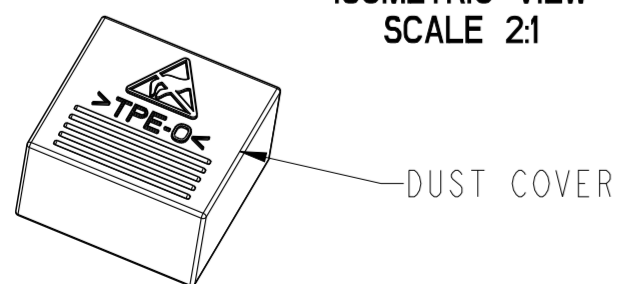


VIEW A

VIEW A



**P1
ISOMETRIC VIEW
SCALE 2:1**



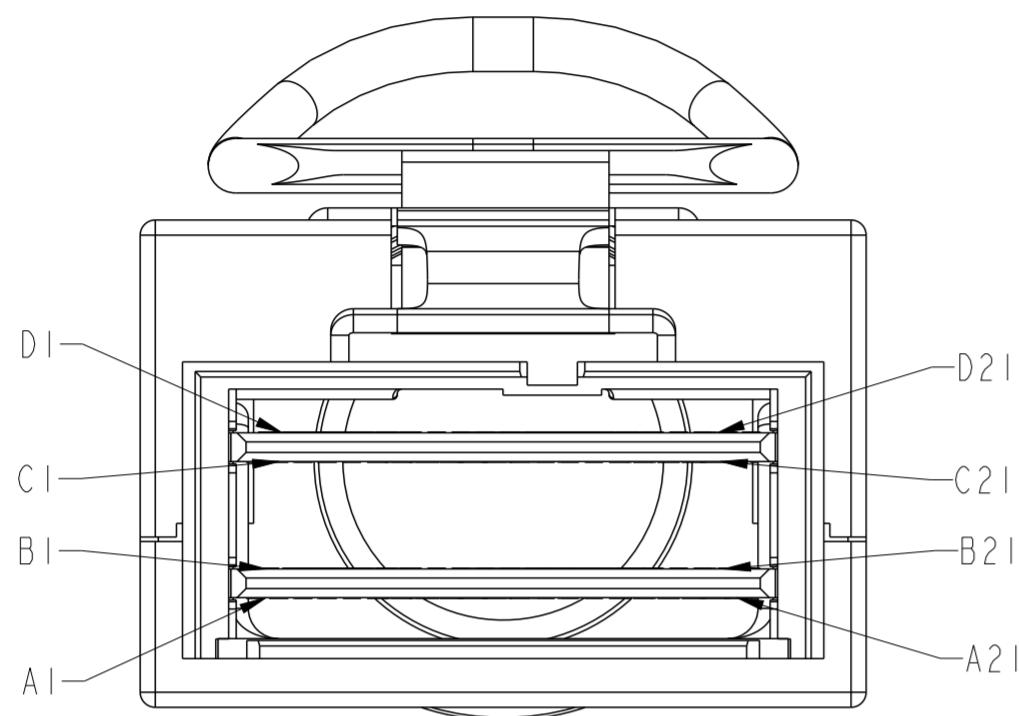
DUST COVER

spec ref	-	dr	Deborah Ingram	2011/04/15	projection	MM	size	A2	scale	1:2												
tolerance std	ASME Y14.5	eng	Ya Li	2015/08/05			ecn no	ELX-N-21586-1														
	TOLERANCES UNLESS OTHERWISE SPECIFIED	chr	-	rel level				Released														
surface	<table border="1"> <tr><td>linear</td><td>0.X</td><td>±Y</td></tr> <tr><td></td><td>0.XX</td><td>±Y</td></tr> <tr><td></td><td>0.XXX</td><td>±Y</td></tr> <tr><td>angular</td><td>0°</td><td>±Y°</td></tr> </table>	linear	0.X	±Y		0.XX	±Y		0.XXX	±Y	angular	0°	±Y°	appr	Frank Mao	2015/08/05	product family	-	rel level	Released		
linear	0.X	±Y																				
	0.XX	±Y																				
	0.XXX	±Y																				
angular	0°	±Y°																				
ASME Y14.5				FINAL ASSEMBLY - STANDARD CXP PASSIVE CABLE ASSEMBLY	cat. no. - Product - Customer Drw	dwg no 10116951	rev C	sheet 1 of 3														

PDS: Rev :C

STATUS:Released

Printed: Aug 05, 2015



VIEW A-A
PIN ASSIGNMENTS
SCALE 4:1

P1				P2		
PIN	F	SIGNAL	TYPE	PIN	F	SIGNAL
B1	L	GND	C C	D1	L	GND
B2	S	Tx0p	----▷	D2	S	Rx0p
B3	S	Tx0n	----▷	D3	S	Rx0n
B4	L	GND	C C	D4	L	GND
B5	S	Tx2p	----▷	D5	S	Rx2p
B6	S	Tx2n	----▷	D6	S	Rx2n
B7	L	GND	C C	D7	L	GND
B8	S	Tx4p	----▷	D8	S	Rx4p
B9	S	Tx4n	----▷	D9	S	Rx4n
B10	L	GND	C C	D10	L	GND
B11	S	Tx6p	----▷	D11	S	Rx6p
B12	S	Tx6n	----▷	D12	S	Rx6n
B13	L	GND	C C	D13	L	GND
B14	S	Tx8p	----▷	D14	S	Rx8p
B15	S	Tx8n	----▷	D15	S	Rx8n
B16	L	GND	C C	D16	L	GND
B17	S	Tx10p	----▷	D17	S	Rx10p
B18	S	Tx10n	----▷	D18	S	Rx10n
B19	L	GND	C C	D19	L	GND
B20	S	VCC3.3-Tx	□ □	D20	M	VCC3.3-Rx
B21	S	VCC12-Tx	□ □	D21	M	VCC12-Rx
A1	L	GND	C C	C1	L	GND
A2	S	Tx1p	----▷	C2	S	Rx1p
A3	S	Tx1n	----▷	C3	S	Rx1n
A4	L	GND	C C	C4	L	GND
A5	S	Tx3p	----▷	C5	S	Rx3p
A6	S	Tx3n	----▷	C6	S	Rx3n
A7	L	GND	C C	C7	L	GND
A8	S	Tx5p	----▷	C8	S	Rx5p
A9	S	Tx5n	----▷	C9	S	Rx5n
A10	L	GND	C C	C10	L	GND
A11	S	Tx7p	----▷	C11	S	Rx7p
A12	S	Tx7n	----▷	C12	S	Rx7n
A13	L	GND	C C	C13	L	GND
A14	S	Tx9p	----▷	C14	S	Rx9p
A15	S	Tx9n	----▷	C15	S	Rx9n
A16	L	GND	C C	C16	L	GND
A17	S	Tx11p	----▷	C17	S	Rx11p
A18	S	Tx11n	----▷	C18	S	Rx11n
A19	L	GND	C C	C19	L	GND
A20	S	SCL	□ □	C20	S	PRSENT_L
A21	S	SDA	□ □	C21	S	Int_L/Reset_L

P1				P2		
PIN	F	SIGNAL	TYPE	PIN	F	SIGNAL
C1	L	GND	C C	A1	L	GND
C2	S	Rx1p	◁----	A2	S	Tx1p
C3	S	Rx1n	◁----	A3	S	Tx1n
C4	L	GND	C C	A4	L	GND
C5	S	Rx3p	◁----	A5	S	Tx3p
C6	S	Rx3n	◁----	A6	S	Tx3n
C7	L	GND	C C	A7	L	GND
C8	S	Rx5p	◁----	A8	S	Tx5p
C9	S	Rx5n	◁----	A9	S	Tx5n
C10	L	GND	C C	A10	L	GND
C11	S	Rx7p	◁----	A11	S	Tx7p
C12	S	Rx7n	◁----	A12	S	Tx7n
C13	L	GND	C C	A13	L	GND
C14	S	Rx9p	◁----	A14	S	Tx9p
C15	S	Rx9n	◁----	A15	S	Tx9n
C16	L	GND	C C	A16	L	GND
C17	S	Rx11p	◁----	A17	S	Tx11p
C18	S	Rx11n	◁----	A18	S	Tx11n
C19	L	GND	C C	A19	L	GND
C20	S	PRSENT_L	□ □	A20	S	SCL
C21	S	Int_L/Reset_L	□ □	A21	S	SDA
D1	L	GND	C C	B1	L	GND
D2	S	Rx0p	◁----	B2	S	Tx0p
D3	S	Rx0n	◁----	B3	S	Tx0n
D4	L	GND	C C	B4	L	GND
D5	S	Rx2p	◁----	B5	S	Tx2p
D6	S	Rx2n	◁----	B6	S	Tx2n
D7	L	GND	C C	B7	L	GND
D8	S	Rx4p	◁----	B8	S	Tx4p
D9	S	Rx4n	◁----	B9	S	Tx4n
D10	L	GND	C C	B10	L	GND
D11	S	Rx6p	◁----	B11	S	Tx6p
D12	S	Rx6n	◁----	B12	S	Tx6n
D13	L	GND	C C	B13	L	GND
D14	S	Rx8p	◁----	B14	S	Tx8p
D15	S	Rx8n	◁----	B15	S	Tx8n
D16	L	GND	C C	B16	L	GND
D17	S	Rx10p	◁----	B17	S	Tx10p
D18	S	Rx10n	◁----	B18	S	Tx10n
D19	L	GND	C C	B19	L	GND
D20	S	VCC3.3-Rx	□ □	B20	M	VCC3.3-Tx
D21	S	VCC12-Rx	□ □	B21	M	VCC12-Tx

PIN OUT CHART (WIRING) SEE NOTE 6

spec ref	-	dr	Deborah Ingram	2011/04/15	projection	MM	size	A2	scale	1:2
tolerance std	ASME Y14.5	eng	Ya Li	2015/08/05	chr	-	ecn no	ELX-N-21586-1	rel level	Released
surface	linear	appr	Frank Mao	2015/08/05	product family	-	cat. no.	-	Product - Customer Drw	sheet 2 of 3
ASME Y14.5	angular	0°	±Y°	0.X	±Y	0.XX	±Y	0.XXX	±Y	www.fci.com
TOLERANCES UNLESS OTHERWISE SPECIFIED								FINAL ASSEMBLY - STANDARD CXP PASSIVE CABLE ASSEMBLY 10116951 rev C		

