



Chipsmall Limited consists of a professional team with an average of over 10 year of expertise in the distribution of electronic components. Based in Hongkong, we have already established firm and mutual-benefit business relationships with customers from,Europe,America and south Asia,supplying obsolete and hard-to-find components to meet their specific needs.

With the principle of "Quality Parts,Customers Priority,Honest Operation,and Considerate Service",our business mainly focus on the distribution of electronic components. Line cards we deal with include Microchip,ALPS,ROHM,Xilinx,Pulse,ON,Everlight and Freescale. Main products comprise IC,Modules,Potentiometer,IC Socket,Relay,Connector.Our parts cover such applications as commercial,industrial, and automotives areas.

We are looking forward to setting up business relationship with you and hope to provide you with the best service and solution. Let us make a better world for our industry!



Contact us

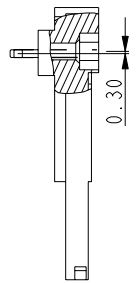
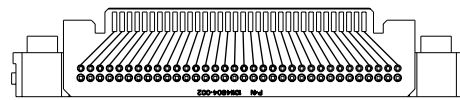
Tel: +86-755-8981 8866 Fax: +86-755-8427 6832

Email & Skype: info@chipsmall.com Web: www.chipsmall.com

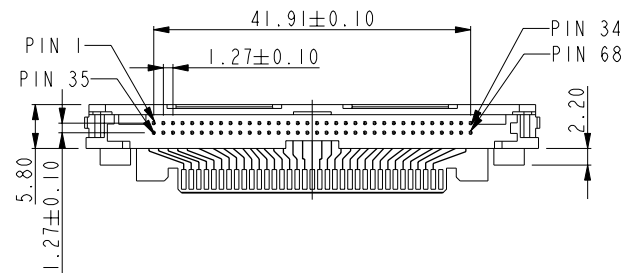
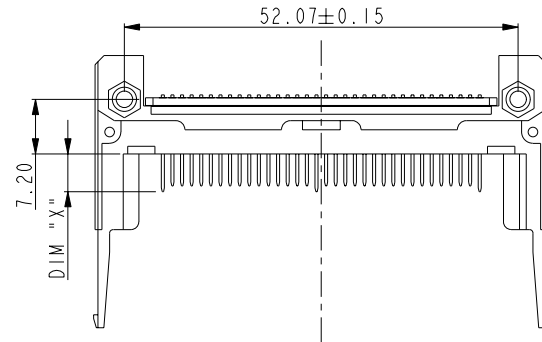
Address: A1208, Overseas Decoration Building, #122 Zhenhua RD., Futian, Shenzhen, China



PRODUCT NO.
10117065-001LF



SECTION A-A



NOTE:

- MATERIAL
1.1 HEADER ASS'Y
HOUSING: LCP UL94V-0 BLACK
TERMINAL: COPPER ALLOY
1.2 PCB: FR4
- PLATING
UNDER PLATING: 1.27 um MIN. Ni
CONTACT AREA: GOLD FLASH
SOLDER TAIL: 2.5 um MIN. MATTE TIN
- DIM "X"

DIM X			
DIM	4.25±0.25	3.5±0.1	5.0±0.1
PIN NUMBER	OTHERS	36,67	1,17,34,35,51,68

- THE HOUSING WILL WITHSTAND EXPOSURE TO 260° PEAK TEMPERATURE FOR 10 SECONDS IN A WAVE SOLDER APPLICATION WITH A 1.00mm MINIMUM THICK CIRCUIT BOARD.
- LEAD FREE PRODUCT MEETS EUROPEAN UNION DIRECTIVES AND OTHER COUNTRY REGULATIONS AS DISCRIBLED IN GS-22-008.
- IF LEAD FREE P/N. PACKAGING MEETS GS-14-920 SPECIFICATION
- MATED BOARD CONNECTOR P/N: 73277-101402LF.
- PRODUCT SPEC: 110-263
- PACKAGE SPEC: GS-14-416

www.fciconnect.com			surface <input checked="" type="checkbox"/>	tolerance std	projection	MM
			TOLERANCES UNLESS OTHERWISE SPECIFIED			
Dr	MIAO SH	2010-12-08	ANGULAR	LINEAR	0.X	±0.3
Eng	MIAO SH	2010-12-08			0.XX	±0.15
Chr	RICK BIAN	2011-01-18	0°	±2°	0.XXX	±0.08
Appr	HSIA JOSEPH	2011-01-18	Product family		-	Spec ref
			title		3.3V EJECTOR HEADER ASS'Y	
			dwg no		10117065	
			Rev.		A	
			catalog no		CUSTOMER	
					sheet 1 of 2	

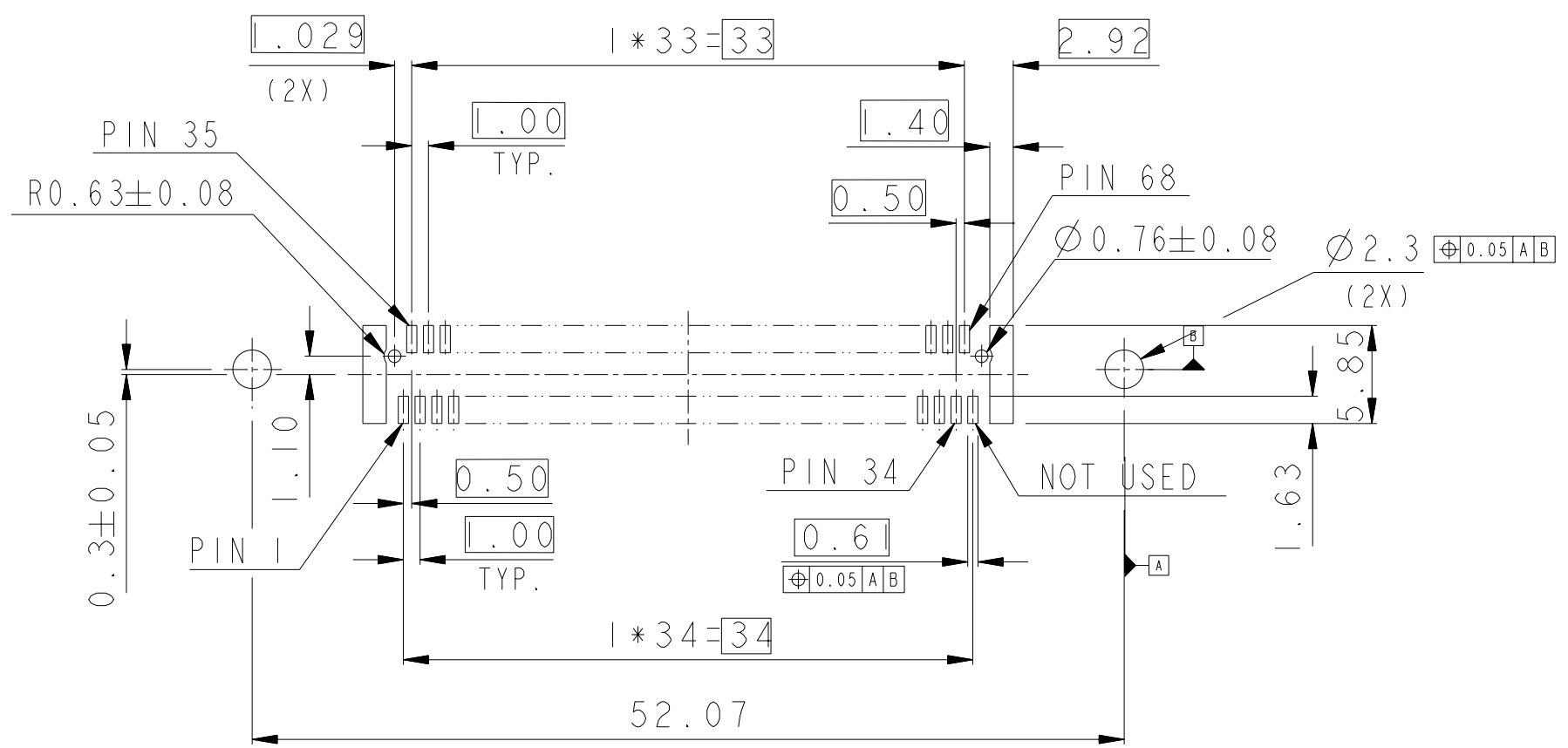
rev	ecn no	dr	date
I	-	SH	2010-12-07
A	N11-0014	SH	2011-01-18
-	-	-	-
-	-	-	-
-	-	-	-
-	-	-	-



Copyright FCI.



Copyright FCI.



(RECOMMENDED PCB LAYOUT FOR CONAN)

www.fciconnect.com			surface	-	tolerance std		projection	MM		
			TOLERANCES UNLESS OTHERWISE SPECIFIED				⊕	←→		
Dr	MIAO SH	2010-12-08	ANGULAR	LINEAR	0.X	±0.3	size	A4		
Eng	MIAO SH	2010-12-08			0.XX	±0.15			Scale	1.000
Chr	RICK BIAN	2011-01-18			0.XXX	±0.08				
Appr	HSIA JOSEPH	2011-01-18	Product family				Spec ref			
FCI			title			3.3V EJECTOR HEADER ASS'Y				
			dwg no			10117065				
			Rev.			1				
			catalog no			CUSTOMER				
						sheet 2 of 2				

REV F - 2006-04-17