



Chipsmall Limited consists of a professional team with an average of over 10 year of expertise in the distribution of electronic components. Based in Hongkong, we have already established firm and mutual-benefit business relationships with customers from,Europe,America and south Asia,supplying obsolete and hard-to-find components to meet their specific needs.

With the principle of "Quality Parts,Customers Priority,Honest Operation,and Considerate Service",our business mainly focus on the distribution of electronic components. Line cards we deal with include Microchip,ALPS,ROHM,Xilinx,Pulse,ON,Everlight and Freescale. Main products comprise IC,Modules,Potentiometer,IC Socket,Relay,Connector.Our parts cover such applications as commercial,industrial, and automotives areas.

We are looking forward to setting up business relationship with you and hope to provide you with the best service and solution. Let us make a better world for our industry!



Contact us

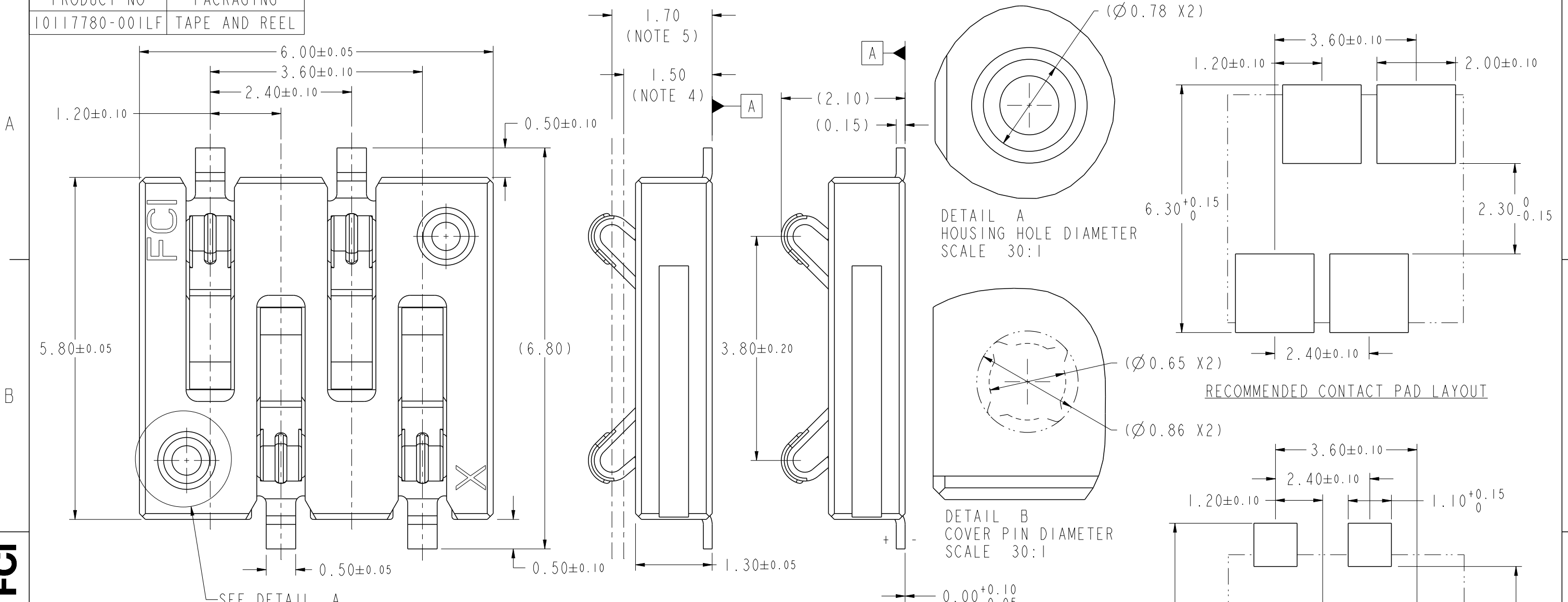
Tel: +86-755-8981 8866 Fax: +86-755-8427 6832

Email & Skype: info@chipsmall.com Web: www.chipsmall.com

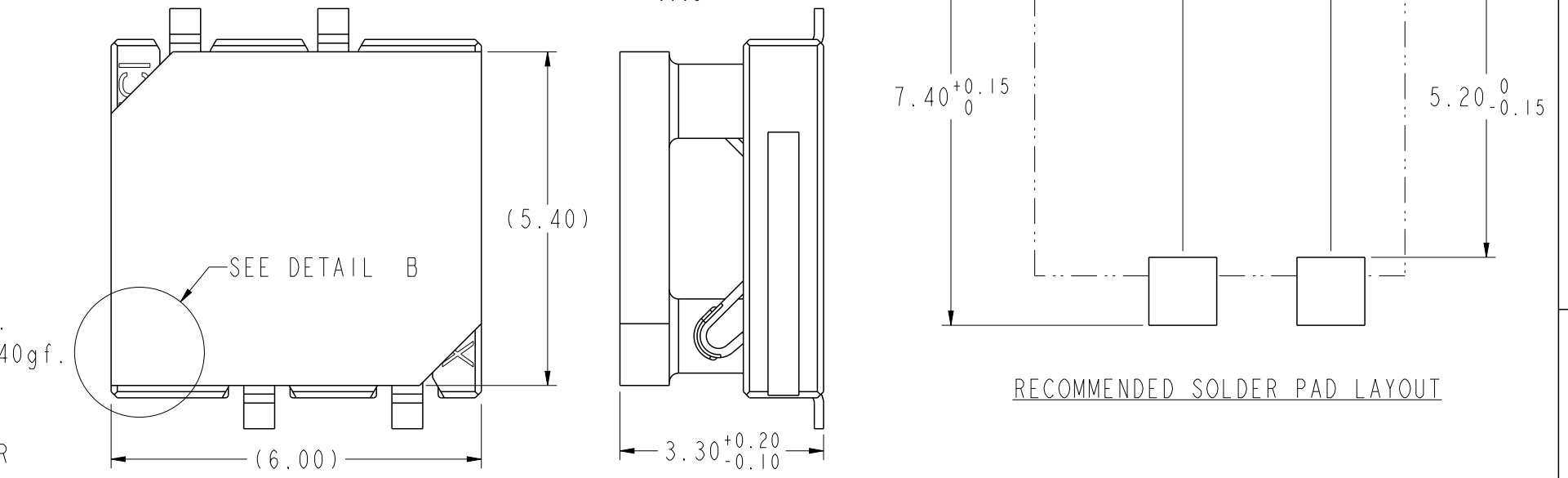
Address: A1208, Overseas Decoration Building, #122 Zhenhua RD., Futian, Shenzhen, China



PRODUCT NO	PACKAGING
10117780-001LF	TAPE AND REEL



- NOTES:
- HOUSING: HIGH TEMPERATURE THERMOPLASTIC UL 94V-0, COLOUR: BLACK
 - CONTACTS: COPPER ALLOY.
PLATING SPEC: 0.2um MIN Au AT CONTACT AREA,
0.076um MIN Au AT SOLDER TAIL,
OVER 1.27um MIN Ni UNDERPLATE OVERALL
 - COVER: HIGH TEMPERATURE THERMOPLASTIC UL 94V-0, COLOUR: BLACK
 - AT 1.5mm HEIGHT, CONTACT GAP MEASUREMENT SHALL BE 4.2.
 - AT 1.7mm HEIGHT, CONTACT NORMAL FORCE SHALL BE ABOVE 40gf.
 - SOLDER TAIL CONPLANARITY SHALL BE 0.1mm MAX.
 - COVER HOLDING FORCE, SHALL BE WITHIN 20gf AND 600gf.
 - THIS PRODUCT MEETS EUROPEAN UNION DIRECTIVES AND OTHER COUNTRY REGULATIONS AS DESCRIBED IN GS-47-0004.
 - THE HOUSING WILL WITHSTAND EXPOSURE TO 260°C PEAK TEMPERATURE FOR 10 SECONDS IN A CONVECTION, INFRA-RED OR VAPOUR PHASE REFLOW OVEN.



spec ref	-	dr	Dennis Goh	2011/06/29	projection	MM	size	A3	scale	15:1
tolerance std	ASME Y14.5	eng	Dennis Goh	2017/04/25			ecn no	ELX-S-26774-1	rel level	Released
TOLERANCES UNLESS OTHERWISE SPECIFIED		chr	-	apppr						
surface	linear	0.X	±0.25	Amphenol FCI		4 PINS SPINDLE CONNECTOR		dwg no 10117780	rev B	
		0.XX	±0.13							
		0.XXX	±0.05							
ASME Y14.5	angular	0°	±°	cat. no.	Product - Customer Drw		sheet 1 of 1			

© 2016 AFCI
 Amphenol FCI