



Chipsmall Limited consists of a professional team with an average of over 10 year of expertise in the distribution of electronic components. Based in Hongkong, we have already established firm and mutual-benefit business relationships with customers from,Europe,America and south Asia,supplying obsolete and hard-to-find components to meet their specific needs.

With the principle of “Quality Parts,Customers Priority,Honest Operation,and Considerate Service”,our business mainly focus on the distribution of electronic components. Line cards we deal with include Microchip,ALPS,ROHM,Xilinx,Pulse,ON,Everlight and Freescale. Main products comprise IC,Modules,Potentiometer,IC Socket,Relay,Connector.Our parts cover such applications as commercial,industrial, and automotives areas.

We are looking forward to setting up business relationship with you and hope to provide you with the best service and solution. Let us make a better world for our industry!



Contact us

Tel: +86-755-8981 8866 Fax: +86-755-8427 6832

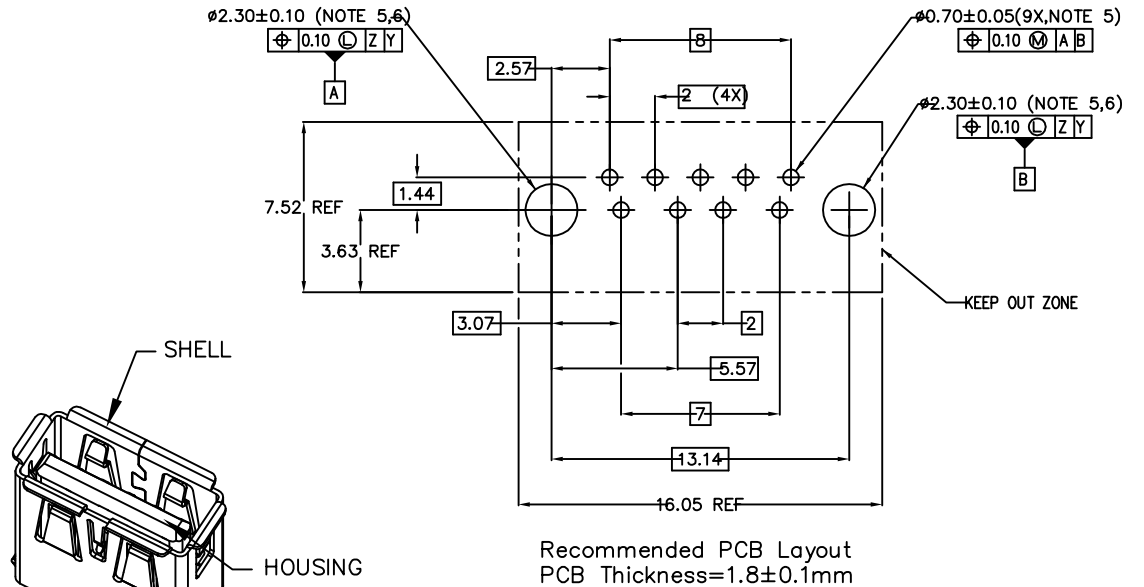
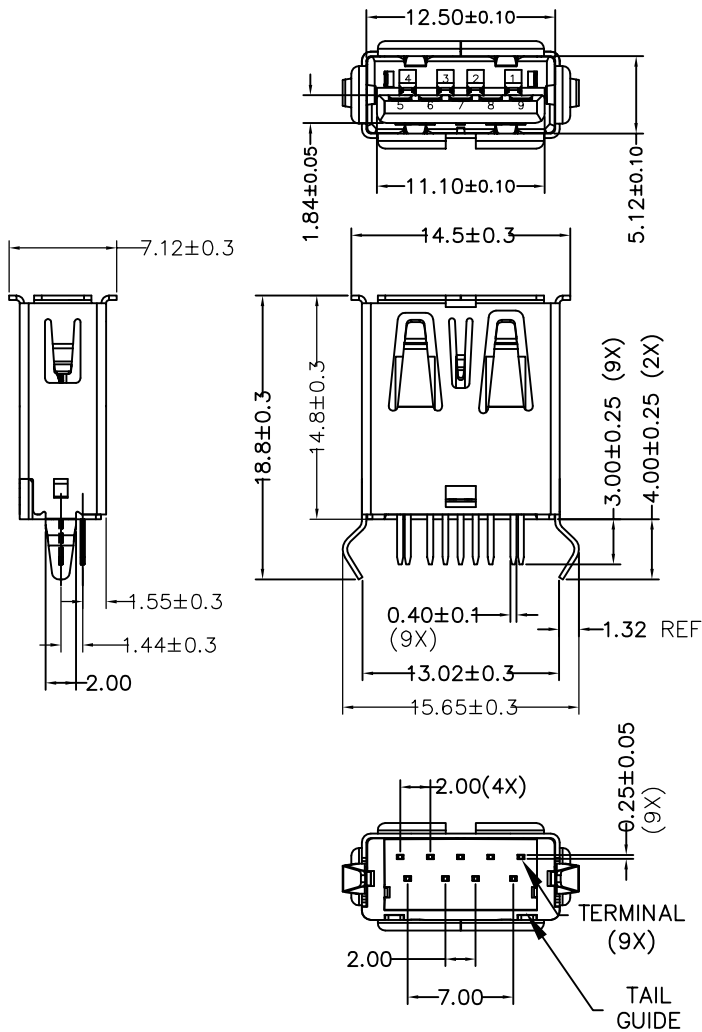
Email & Skype: info@chipsmall.com Web: www.chipsmall.com

Address: A1208, Overseas Decoration Building, #122 Zhenhua RD., Futian, Shenzhen, China



PART NUMBER CODE:
10117836-0XXLF

- CONTACT AREA PLATING AND DURABILITY OPTION
- 1: 30u" Au (0.76um) Min. DURABILITY 3500 Min.
- 2: GOLD FLASH , DURABILITY 1500 Min.
- HOUSING RESIN OPTION
- 0: PBT
- 1: LCP



Notes:

- 1) Materials
Housing & Tail Guide: Glass fiber filled thermoplastic resin, UL94 V-0 rated, color blue.
Terminals: Copper Alloy, 50u"(1.27um) Min. Ni underplated over all.
Contact area: see table
Tail area: 80u"(2.0um) Min. Matte Tin plated.
Shell: Copper Alloy, 50u"(1.27um) Min. Ni plated over all.
- 2) Product specification refer to FCI GS-12-0928.
- 3) Package specification refer to GS-14-2157 (Tray package style).
- 4) This product will withstand exposure to 260°C peak temp. for 10 seconds in a wave soldering application with recommended thick circuit board.
- 5) Product meets European Union Directives and other country regulations as described in FCI GS-22-008.
- 6) Recommended PCB hole is finished plating through hole (PTH) size.
- 7) Datum Z, Y and basic dimensions were constructed by customer.

| | | | | | | | | | |
|-------------|--|-------------------------|--|-------------------------|--|------------------|--|--------------------------------|--|
| mat'l. code | | surface ASME Y14.5 ✓ | | tolerance ASME Y14.5 | | projection MM | | product family USB 3.0 | |
| ltr | | ecn no | | dr | | date | | title | |
| A | | - | | A.ZH | | 07/17/2012 | | USB 3.0 Standard-A Receptacle | |
| B | | ELX-N-22622 | | L.Q.Lei | | 11/27/2015 | | Vertical Type | |
| | | | | angles | | mm | | Soldering to Board Termination | |
| | | | | X°±1° | | X.X±0.25 | | scale | |
| | | | | X.XX±0.20 | | | | dwg no | |
| | | | | dr | | BEER FU 032111 | | sheet 1 of 1 | |
| | | | | enrg | | BEER FU 032111 | | size | |
| | | | | chr | | BEER FU 032111 | | 10117836 | |
| | | | | appd | | BEER FU 032111 | | A4 | |
| sheet | | revision | | B | | | | type | |
| index | | sheet | | 1 | | | | CUSTOMER Drawing | |