



Chipsmall Limited consists of a professional team with an average of over 10 year of expertise in the distribution of electronic components. Based in Hongkong, we have already established firm and mutual-benefit business relationships with customers from,Europe,America and south Asia,supplying obsolete and hard-to-find components to meet their specific needs.

With the principle of “Quality Parts,Customers Priority,Honest Operation,and Considerate Service”,our business mainly focus on the distribution of electronic components. Line cards we deal with include Microchip,ALPS,ROHM,Xilinx,Pulse,ON,Everlight and Freescale. Main products comprise IC,Modules,Potentiometer,IC Socket,Relay,Connector.Our parts cover such applications as commercial,industrial, and automotives areas.

We are looking forward to setting up business relationship with you and hope to provide you with the best service and solution. Let us make a better world for our industry!



Contact us

Tel: +86-755-8981 8866 Fax: +86-755-8427 6832

Email & Skype: info@chipsmall.com Web: www.chipsmall.com

Address: A1208, Overseas Decoration Building, #122 Zhenhua RD., Futian, Shenzhen, China





Copyright FCI



FCIconnect.com

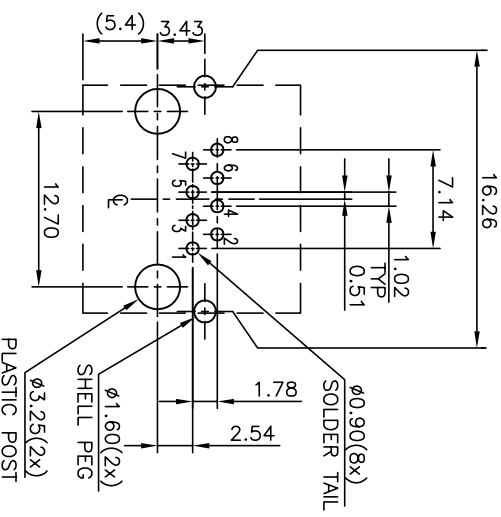
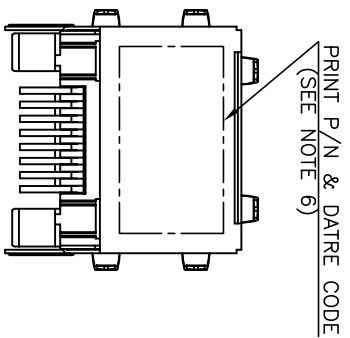
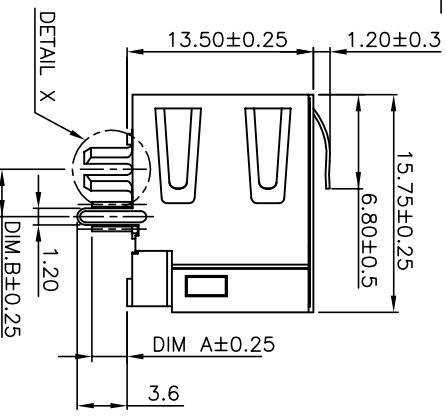
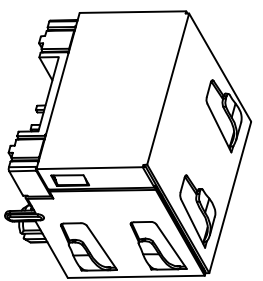
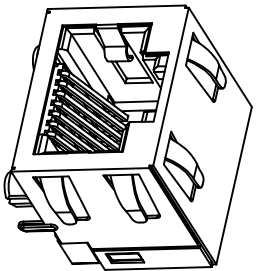
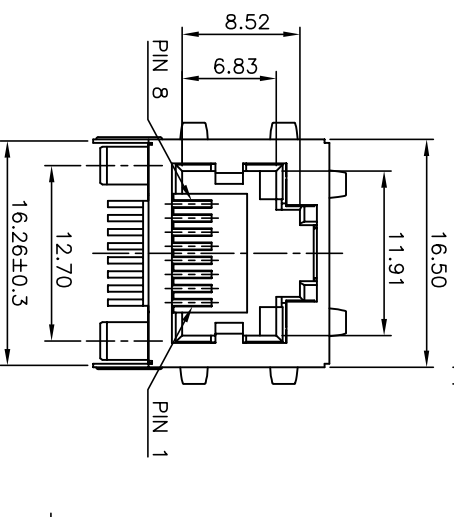
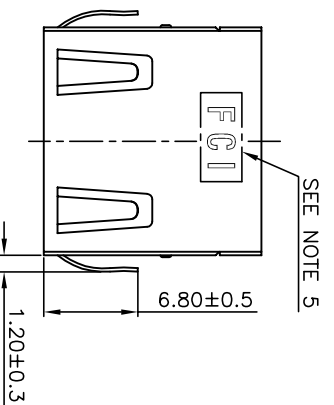


3

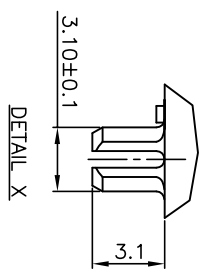
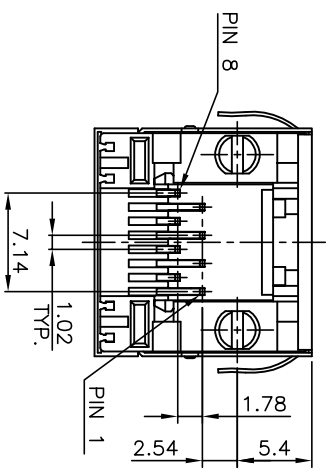


4

PART NUMBER	DIM.A	DIM.B	COMMENT
10117863-X0360X0LF	2.54	3.43	WITHOUT LED
10117863-X0390X0LF	2.20	3.43	WITHOUT LED



RECOMMENDED PCB LAYOUT
 PCB THICKNESS: 1.0mm
 TOLERANCE: ±0.05mm (TOP VIEW)



mat'l. code	ecn no	dr	date	surface	tolerance	projection	product family
	A	WL	07/28/11	ASME Y14.5	ASME Y14.5	MM	MODULAR JACK, TAP UP
	B	WL	08/26/11	tolerances unless otherwise specified			DIP TYPE WITH SHIELD
	C	HE	03/05/13	X.F.1*	X.XXX±0.15	scale	
	D	HE	05/24/13				
				engr	WENDY CHEN	03/24/11	
				chr	WENDY CHEN	03/24/11	
				appd	GARY HSEH	03/24/11	
sheet	revision	D	D	D			
Index	sheet	1	2	3			



dwg no
10117863

sheet 1 of 3 size
A4
CUSTOMER Drawing

B 1 2 3 4
 form: A4mmXlc
 A



Copyright FCI



FCIconnect.com



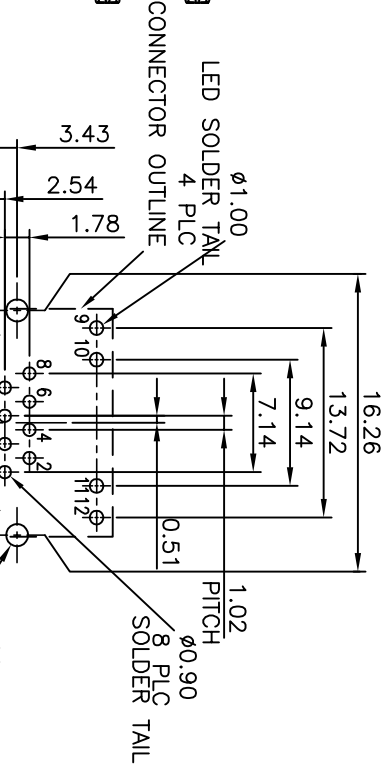
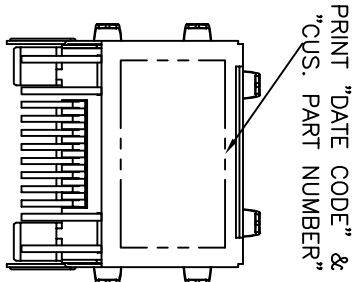
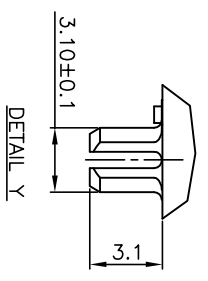
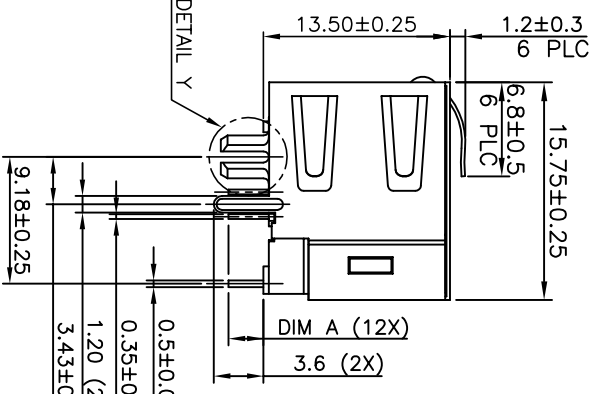
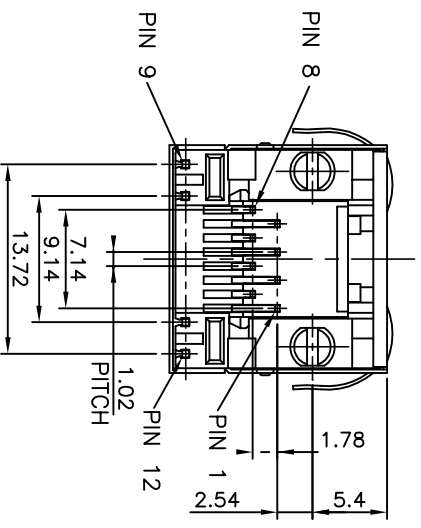
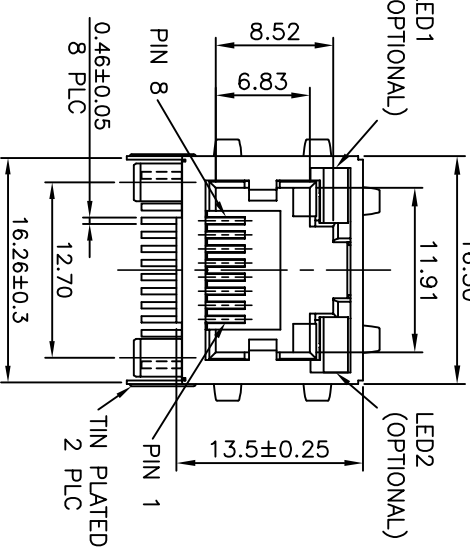
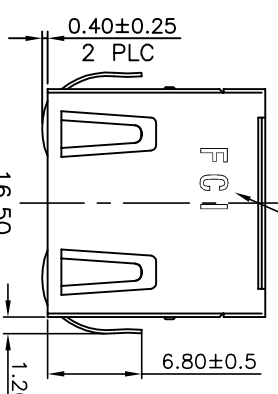
3



4

PART NUMBER	DIM.A	DIM.B	COMMENT
10117863-XX360XOLF	2.54	3.43	WITH LED
10117863-XX390XOLF	2.20	3.43	WITH LED

SEE NOTE 5



9+ - -10 11+ - -12
LED SCHEMATIC

RECOMMENDED PCB LAYOUT
PCB THICKNESS: 1.0mm
TOLERANCE: ±0.05mm (TOP VIEW)

mat'l. code	surface	tolerance	projection	product family
	ASME Y14.5	ASME Y14.5		
tr	ecm no	dr	date	
D				
	angles			
	X.F.1*	X.XXX±0.15	scale	
dr	WENDY CHEN	03/24/11		
engr	WENDY CHEN	03/24/11		
chr	WENDY CHEN	03/24/11		
pppd	GARY HSEH	03/24/11		
sheet	revision	BX1	BX1	
index	sheet	1	2	



title
MODULAR JACK, TAP UP
DIP TYPE WITH SHIELD

dwg no
10117863

sheet 2 of 3 size
A4

type
CUSTOMER Drawing

form: A4mmXlc

1

2

3

4

