



Chipsmall Limited consists of a professional team with an average of over 10 year of expertise in the distribution of electronic components. Based in Hongkong, we have already established firm and mutual-benefit business relationships with customers from,Europe,America and south Asia,supplying obsolete and hard-to-find components to meet their specific needs.

With the principle of “Quality Parts,Customers Priority,Honest Operation,and Considerate Service”,our business mainly focus on the distribution of electronic components. Line cards we deal with include Microchip,ALPS,ROHM,Xilinx,Pulse,ON,Everlight and Freescale. Main products comprise IC,Modules,Potentiometer,IC Socket,Relay,Connector.Our parts cover such applications as commercial,industrial, and automotives areas.

We are looking forward to setting up business relationship with you and hope to provide you with the best service and solution. Let us make a better world for our industry!



## Contact us

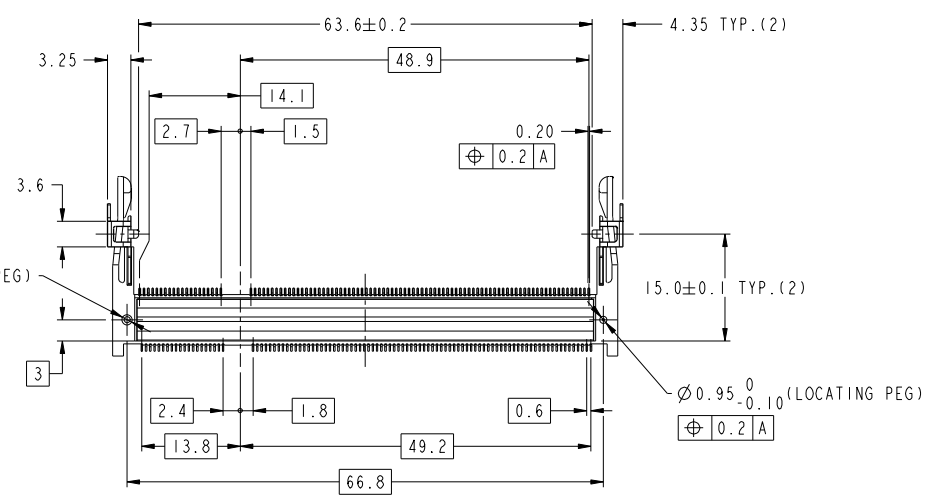
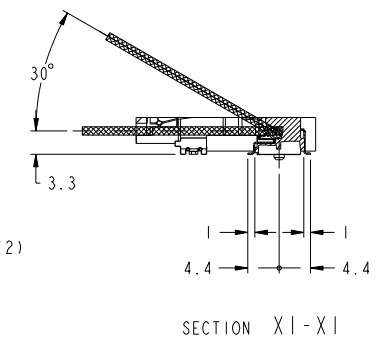
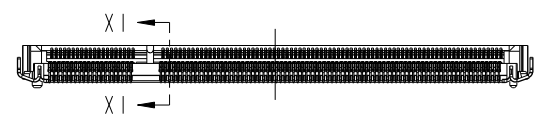
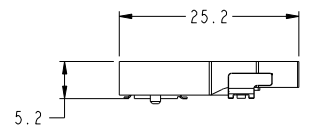
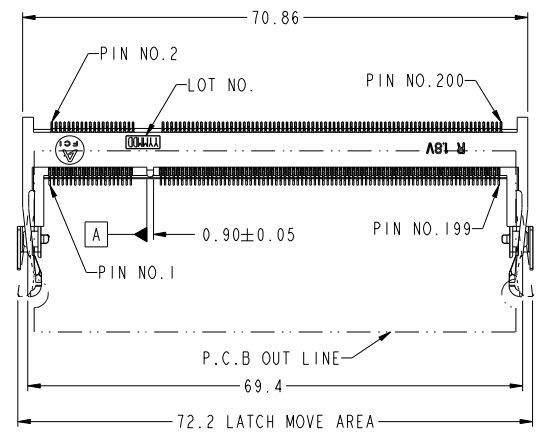
Tel: +86-755-8981 8866 Fax: +86-755-8427 6832

Email & Skype: info@chipsmall.com Web: www.chipsmall.com

Address: A1208, Overseas Decoration Building, #122 Zhenhua RD., Futian, Shenzhen, China



PRODUCT NO.  
10117865-\*52\*\*



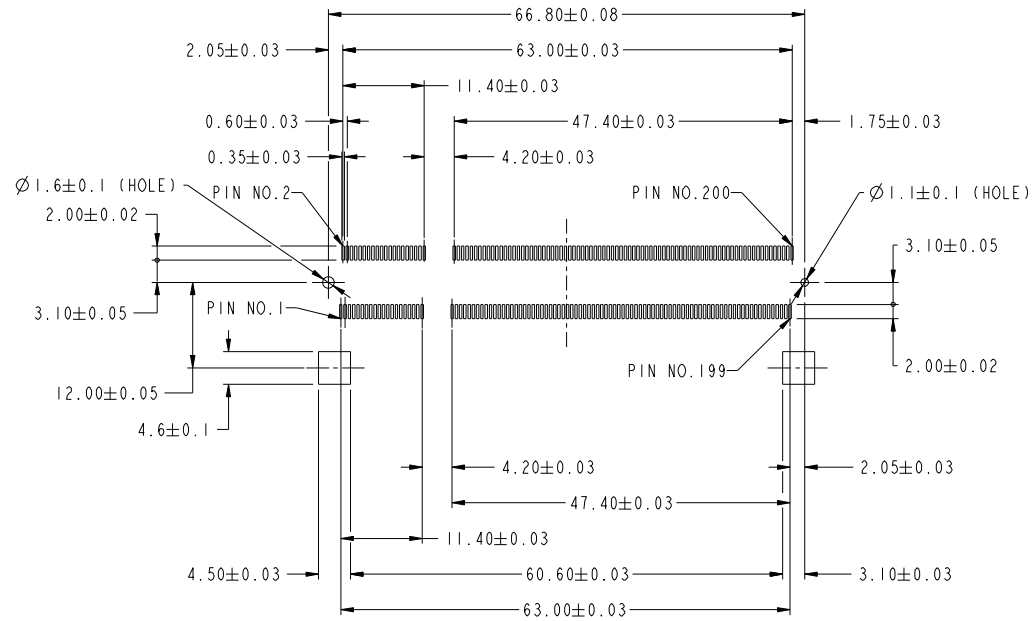
- NOTE
1. PRODUCT SPEC. : GS-12-195
  2. PACKAGING SPEC. : GS-14-786
  3. MATERIAL:  
1) HOUSING : LCP, UL94V-0, COLOR BLACK  
2) CONTACT : COPPER ALLOY  
3) HOLD DOWN : BRASS
  4. FINISH  
1) TERMINAL : SEE TABLE  
2) HOLD DOWN : SEE TABLE
  5. CO-PLANARITY : 0.1 MAX. (INCLUDE HOLD DOWN)
  6. THIS PRODUCT MEETS EUROPEAN UNION DIRECTIVES AND OTHER COUNTRY REGULATIONS AS DESCRIBED IN GS-22-008.
  7. THE HOUSING WILL WITHSTAND EXPOSURE TO 260° PEAK TEMPERATURE FOR 10 SECONDS IN A REFLOW SOLDER APPLICATION.

Copyright FCI

www.fciconnect.com				surface ASME Y14.5	tolerance std ASME Y14.5	projection	MM
TOLERANCES UNLESS OTHERWISE SPECIFIED				ANGULAR	LINEAR	size	Scale
				0° ±5°	0.x ±0.3	A2	2:1
				0.xxx ±0.15	0.xxx ±0.08	ECN	DG11-0085
				Product family	SO-DIMM	Spec ref	RELEASED
FCI				DDR 11 0.6mm PITCH 200 POS.	10117865	Rev. A	
catalog no				CUSTOMER COPY	sheet 1 of 4		

PRODUCT NO.

10117865-\*52\*\*



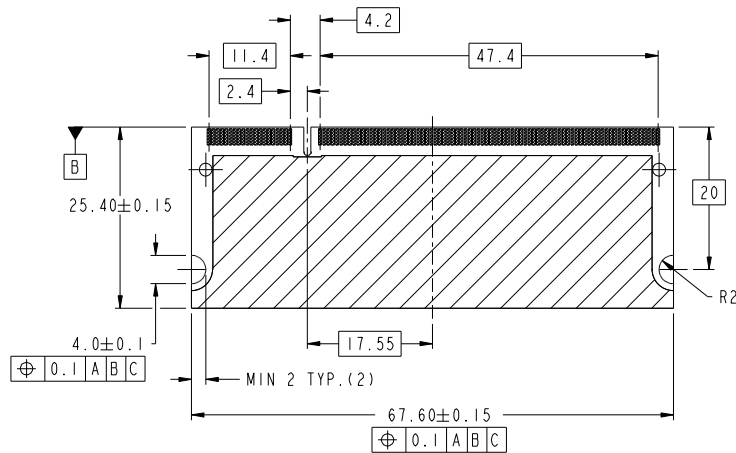
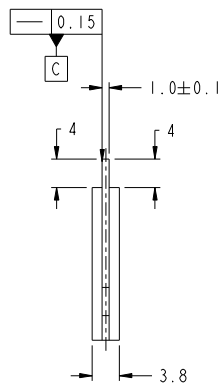
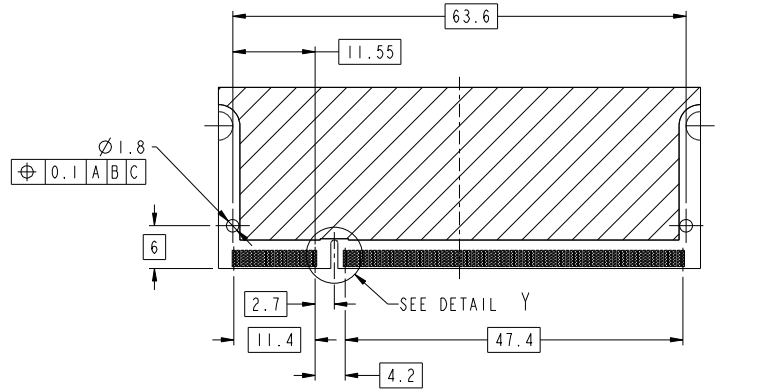
RECOMMENDED MOUNTING P.C.B LAYOUT

Copyright FCI.  
FCI

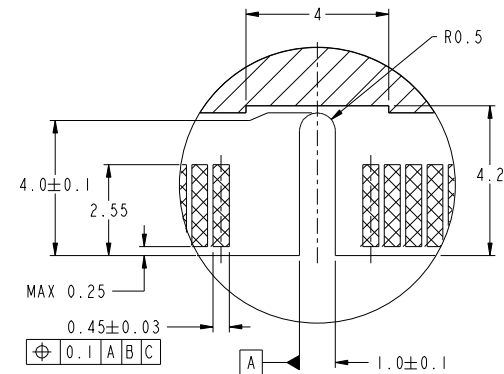
	FILE	DDR II 0.6mm PITCH 200 POS.	diag no	10117865	Rev.
	TITLE	REVERSE TYPE ASS'Y	CUSTOMER COPY	sheet 2 of 4	A
	CATALOG NO				

PRODUCT NO.

10117865-\*52\*\*



RECOMMENDED MODULE P.C.B LAYOUT



DETAIL Y  
SCALE 10:1

Copyright FCI.



DDR 11 0.6mm PITCH 200 POS.  
REVERSE TYPE ASS'Y

catalog no  
10117865  
CUSTOMER COPY sheet 3 of 4

Rev.  
A

1		2		3		4		5		6		7		8	
PRODUCT NO.		LOCATING PEG		TERMINAL CONTACT AREA FINISH		HOLD DOWN FINISH		SOLDER TAIL FINISH							
A	10117865-052FSLF	YES		Au FLASH		Pure Sn PLATING	Au FLASH								
	10117865-152FSLF	NO													
	10117865-052TSLF	YES		Au 0.3µm MIN.											
	10117865-152TSLF	NO													
	10117865-052ASLF	YES		Au 0.76µm MIN.											
	10117865-152ASLF	NO													
B	10117865-052FB	YES		Au FLASH		Sn-Pb PLATING									
	10117865-152FB	NO													
	10117865-052TB	YES		Au 0.3µm MIN.											
	10117865-152TB	NO													
	10117865-052AB	YES		Au 0.76µm MIN.											
	10117865-152AB	NO													
C	10117865-252FSLF	YES		Au FLASH		Pure Sn PLATING	Pure Sn PLATING								
	10117865-352FSLF	NO													
	10117865-252TSLF	YES		Au 0.3µm MIN.											
	10117865-352TSLF	NO													
	10117865-252ASLF	YES		Au 0.76µm MIN.											
	10117865-352ASLF	NO													
D	10117865-252FB	YES		Au FLASH		Sn-Pb PLATING	Sn-Pb PLATING								
	10117865-352FB	NO													
	10117865-252TB	YES		Au 0.3µm MIN.											
	10117865-352TB	NO													
	10117865-252AB	YES		Au 0.76µm MIN.											
	10117865-352AB	NO													
E	10117865-452FS	YES		Au FLASH		Pure Sn PLATING	Sn-Pb PLATING								
	10117865-552FS	NO													
	10117865-452TS	YES		Au 0.3µm MIN.											
	10117865-552TS	NO													
	10117865-452AS	YES		Au 0.76µm MIN.											
	10117865-552AS	NO													
F	10117865-452FB	YES		Au FLASH		Sn-Pb PLATING	Sn-Pb PLATING								
	10117865-552FB	NO													
	10117865-452TB	YES		Au 0.3µm MIN.											
	10117865-552TB	NO													
	10117865-452AB	YES		Au 0.76µm MIN.											
	10117865-552AB	NO													

10117865- □ □ □ □ □ LF

For Rohs OPTIONS:  
TAIL PLATING CODE MUST BE 0-3.  
HOLD DOWN PLATING CODE MUST BE "S".  
"LF" CODE IS EXIST IN THE END.  
EX: 10117865-252TSLF

FOR NOT Rohs COMPATIBLE:  
THIS "LF" CODE IS "BLANK".  
EX:10117865-452TS

<PACKING METHOD>  
R : TAPE REEL  
DEFAULT : TRAY

<HOLD DOWN FINISH>  
S : Pure Sn  
B : Sn-Pb

<CONTACT AREA FINISH>  
F : Au FLASH  
T : Au 0.3µm MIN.  
A : Au 0.76µm MIN.

<TOTAL HEIGHT>  
52 : 5.2mm

<LOCATING PEG, SOLDER TAIL FINISH>  
0 : YES, Au FLASH  
1 : NO, Au FLASH  
2 : YES, Pure Sn PLATING  
3 : NO, Pure Sn PLATING  
4 : YES, Sn-Pb PLATING  
5 : NO, Sn-Pb PLATING

Copyright FCI.



FCI	DDR 11 0.6mm PITCH 200 POS.	10117865	Rev. A
	REVERSE TYPE ASS'Y	CUSTOMER COPY	sheet 4 of 4