



Chipsmall Limited consists of a professional team with an average of over 10 year of expertise in the distribution of electronic components. Based in Hongkong, we have already established firm and mutual-benefit business relationships with customers from,Europe,America and south Asia,supplying obsolete and hard-to-find components to meet their specific needs.

With the principle of “Quality Parts,Customers Priority,Honest Operation,and Considerate Service”,our business mainly focus on the distribution of electronic components. Line cards we deal with include Microchip,ALPS,ROHM,Xilinx,Pulse,ON,Everlight and Freescale. Main products comprise IC,Modules,Potentiometer,IC Socket,Relay,Connector.Our parts cover such applications as commercial,industrial, and automotives areas.

We are looking forward to setting up business relationship with you and hope to provide you with the best service and solution. Let us make a better world for our industry!



Contact us

Tel: +86-755-8981 8866 Fax: +86-755-8427 6832

Email & Skype: info@chipsmall.com Web: www.chipsmall.com

Address: A1208, Overseas Decoration Building, #122 Zhenhua RD., Futian, Shenzhen, China



A

B

C

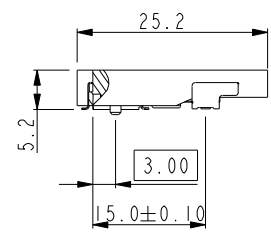
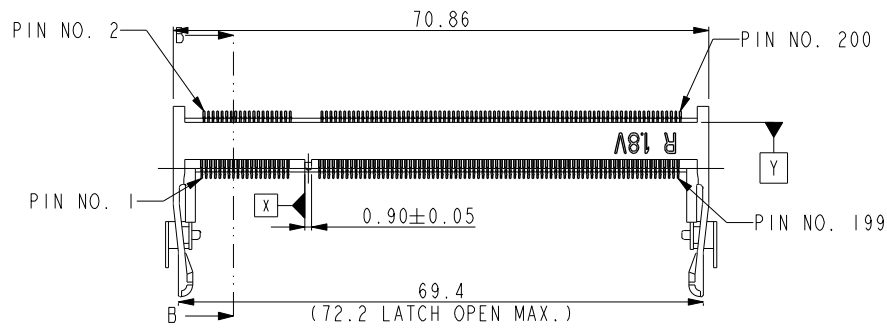
D

A

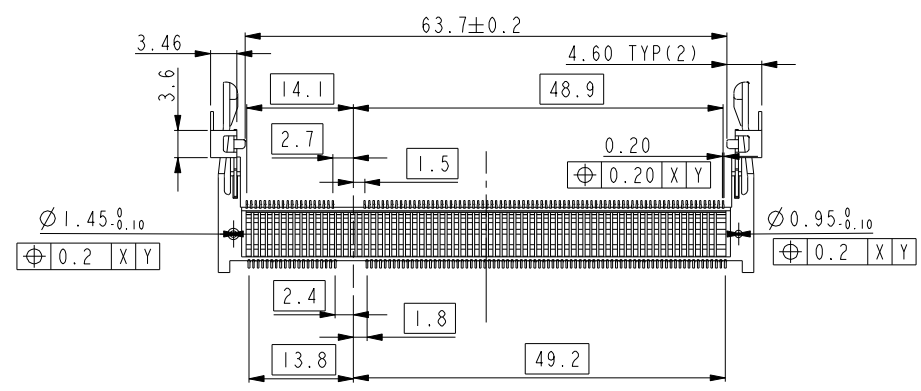
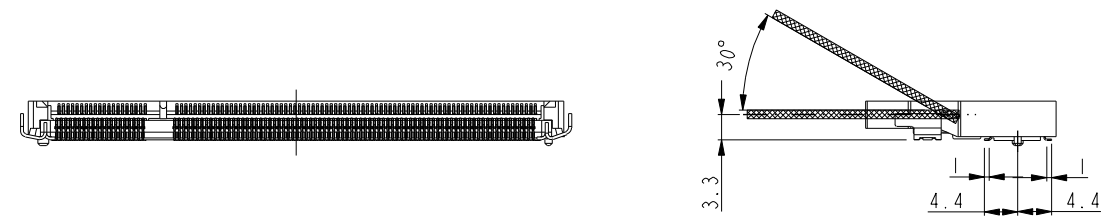
B

C

D



SECTION B-B



Copyright FCI.

rev	ecn no	dr	date
A	DG11-0085	SH	2011-03-30
-	-	-	-
-	-	-	-
-	-	-	-
-	-	-	-

www.fciconnect.com		surface	<input checked="" type="checkbox"/>	tolerance std	projection	MM
		TOLERANCES UNLESS OTHERWISE SPECIFIED				
Dr	JULIA WANG	05/05/08	ANGULAR	LINEAR	0.X	±0.3
Eng	MIAO SH	05/05/08			0.XX	±0.15
Chr	GARY HSIEH	05/05/08			0.XXX	±0.08
Appr	JOSEPH HSIA	05/05/08	Product family		10086891	Spec ref
				CUSTOMER		sheet 1 of 4



title
DDR2 0.6mm PITCH 200 POS.
REVERSE TYPE ASS'Y

dwg no
10117866

Rev.
A

1

2

3

4

A

B

C

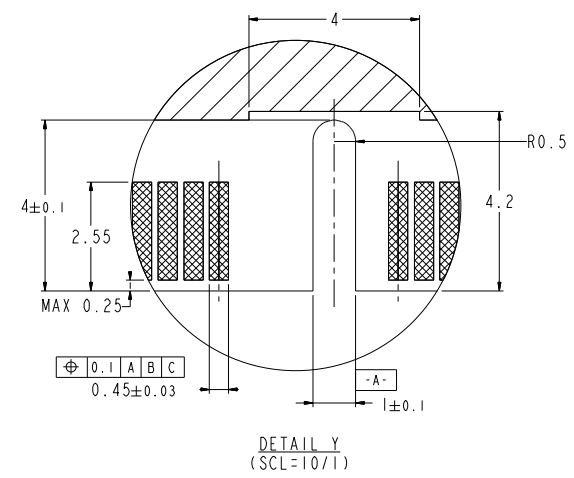
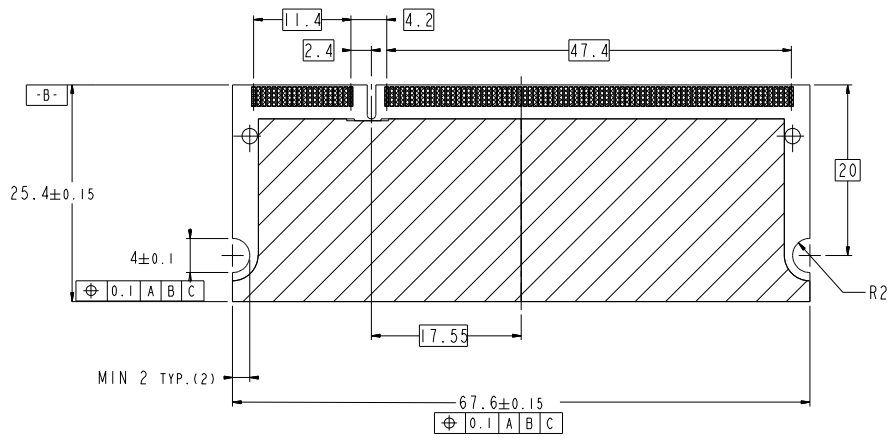
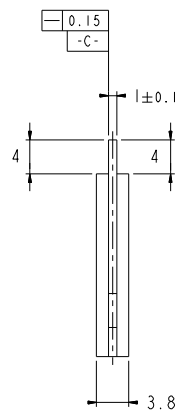
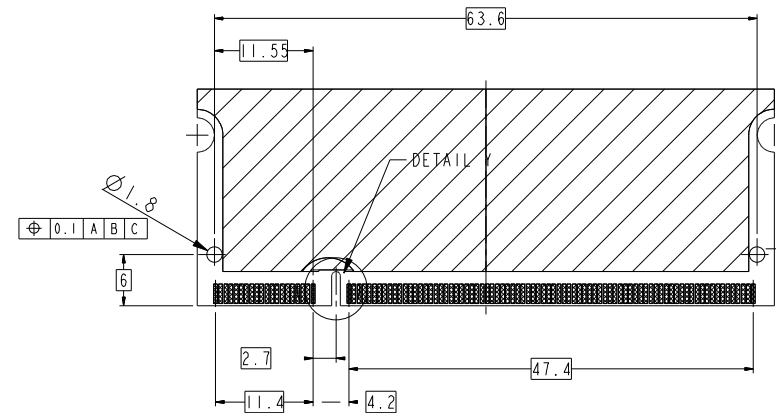
D

A

B

C

D



RECOMMENDED MODULE P.C.B LAYOUT



Copyright FCI.



title	DDR2 0.6mm PITCH 200 POS.		dwg no	10117866		Rev.	A
	catalog no	CUSTOMER		sheet 2 of 4			

1 2 3 4

A

A

B

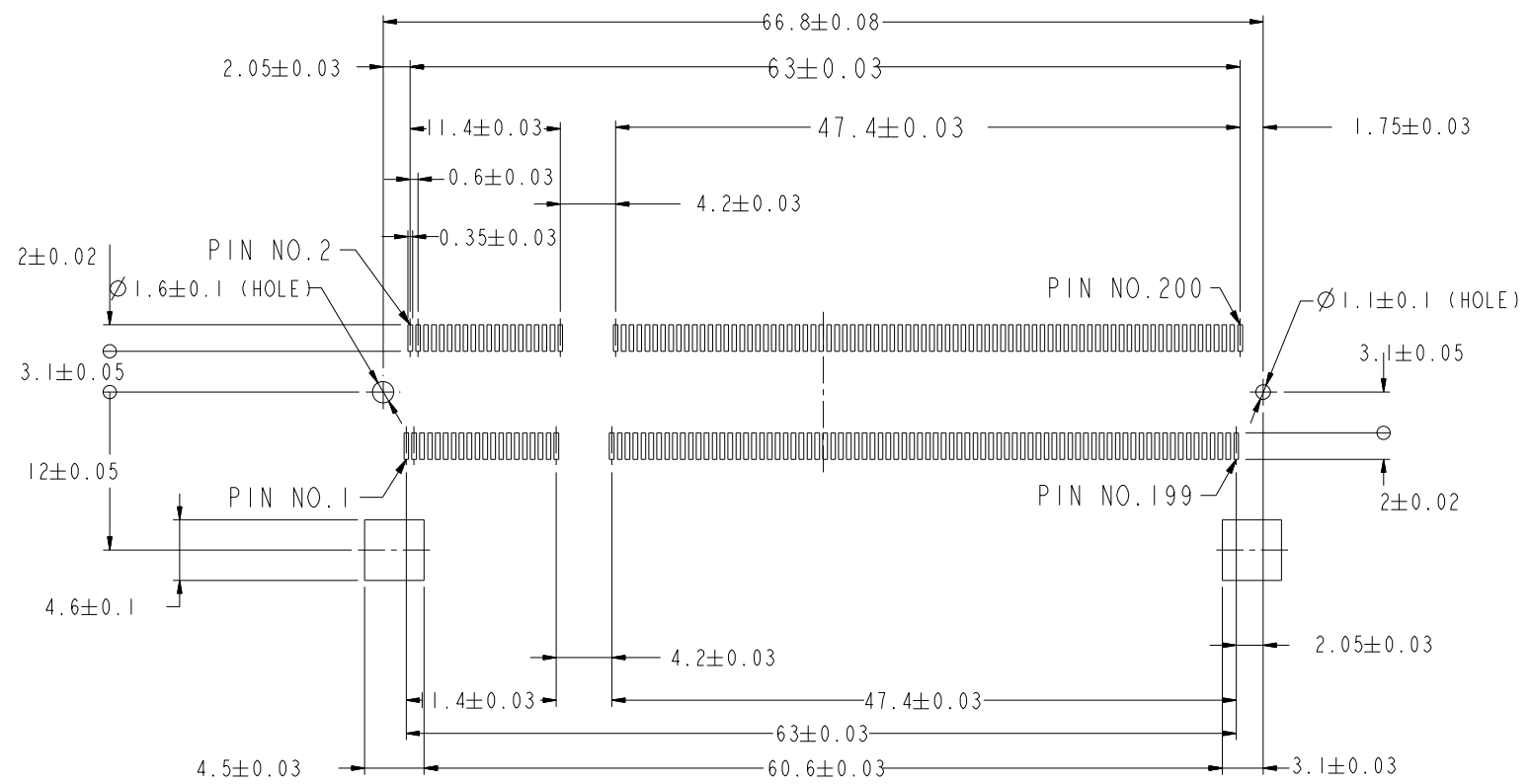
B

C

C

D

D



RECOMMENDED MOUNTING P.C.B LAYOUT



Copyright FCI.



title	DDR2 0.6mm PITCH 200 POS.		dwg no	10117866	Rev.	A
	REVERSE TYPE ASS'Y					
catalog no	*	CUSTOMER	sheet 3 of 4			

REV F - 2006-04-17



PRODUCT NO.	LOCATION PEG	TERMINAL CONTACT AREA FINISH	HOLD DOWN FINISH	SOLDER TAIL FINISH
10117866-052FSLF	YES	Au FLASH	PURE Sn PLATING	Au FLASH
10117866-152FSLF	NO			
10117866-052TSLF	YES	Au 0.3um MIN.		
10117866-052TSRLF	YES			
10117866-152TSLF	NO	Au 0.76um MIN.		
10117866-052ASLF	YES			
10117866-052ASRLF	YES	Au FLASH	Sn-Pb PLATING	
10117866-152ASLF	NO			
10117866-052FB	YES	Au 0.3um MIN.		
10117866-152FB	NO			
10117866-052TB	YES	Au 0.76um MIN.		
10117866-152TB	NO			
10117866-052AB	YES	Au FLASH	PURE Sn PLATING	
10117866-152AB	NO			
10117866-252FSLF	YES	Au 0.3um MIN.		PRUE Sn PLATING
10117866-352FSLF	NO			
10117866-252TSLF	YES	Au 0.76um MIN.		
10117866-352TSLF	NO			
10117866-252ASLF	YES	Au FLASH		
10117866-352ASLF	NO			
10117866-252FB	YES	Au 0.3um MIN.	Sn-Pb PLATING	
10117866-352FB	NO			
10117866-252TB	YES	Au 0.76um MIN.		
10117866-352TB	NO			
10117866-252AB	YES	Au FLASH		Sn-Pb PLATING
10117866-352AB	NO			
10117866-452FS	YES	Au 0.3um MIN.		
10117866-552FS	NO			
10117866-452TS	YES	Au 0.76um MIN.		
10117866-552TS	NO			
10117866-452AS	YES	Au FLASH		
10117866-552AS	NO			
10117866-452FB	YES	Au 0.3um MIN.	Sn-Pb PLATING	
10117866-552FB	NO			
10117866-452TB	YES	Au 0.76um MIN.		
10117866-552TB	NO			
10117866-452AB	YES			
10117866-552AB	NO			

10117866-X XX X X X LF

FOR Rohs OPTIONS:
TAIL PLATING CODE MUST BE 0~3.
HOLD DOWN PLATIGN CODE MUST BE "S".
"LF" CODE IS EXIST IN THE END.
EX: 10117866-252TSLF

FOR NOT Rohs COMPATIBEL:
THIS "LF" CODE IS "BLANK".
EX: 10117866-452TS

<PACKING METHOD>
R: TAPE REEL
DEFAULT: TRAY

<HOLDDOWN FINISH>
S: PURE Sn
B: Sn-Pb

<CONTACT FINISH>
F: Au FLASH
T: Au 0.3um MIN.
A: Au 0.76um MIN.

<TOTAL HEIGHT>
52: 5.2mm

<LOCATION PEG, SOLDER TAIL FINISH>
0: YES, Au FLASH
1: NO, Au FLASH
2: YES, PURE Sn PLATING
3: NO, PURE Sn PLATING
4: YES, Sn-Pb PLATING
5: NO, Sn-Pb PLATING

NOTE:
1. PRODUCT SPEC: GS-12-195.
2. PACKAGE SPEC: GS-14-786.
3. MATERIAL
HOUSING: LCP, UL94V-0, BLACK COLOR.
CONTACT: C7025 TM00
HOLDDOWN: BRASS
4. FINISH
TERMINAL :SEE TABLE
HOLDDOWN: SEE TABLE
5. COPLANARITY: 0.07MAX. (INCLUDING HOLDDOWN)
6. THIS PRODUCT MEETS EUROPEAN UNION DIRECTIVES AND OTHER COUNTRY
REGUALTIONS AS DESCRIBED IN GS-22-008
7. THE HOUSING WILL WITHSTAND EXPOSE TO 260° PEAK
TEMPERATURE FOR 10 SECONDS IN WAVE SOLDER APPLICATION

	title	DDR2 0.6mm PITCH 200 POS.	dwg no 10117866	Rev. A
	Pro/E file	catalog no		