



Chipsmall Limited consists of a professional team with an average of over 10 year of expertise in the distribution of electronic components. Based in Hongkong, we have already established firm and mutual-benefit business relationships with customers from,Europe,America and south Asia,supplying obsolete and hard-to-find components to meet their specific needs.

With the principle of “Quality Parts,Customers Priority,Honest Operation,and Considerate Service”,our business mainly focus on the distribution of electronic components. Line cards we deal with include Microchip,ALPS,ROHM,Xilinx,Pulse,ON,Everlight and Freescale. Main products comprise IC,Modules,Potentiometer,IC Socket,Relay,Connector.Our parts cover such applications as commercial,industrial, and automotives areas.

We are looking forward to setting up business relationship with you and hope to provide you with the best service and solution. Let us make a better world for our industry!



Contact us

Tel: +86-755-8981 8866 Fax: +86-755-8427 6832

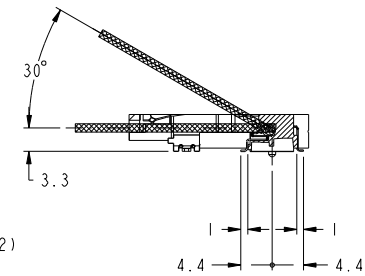
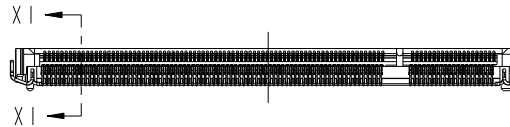
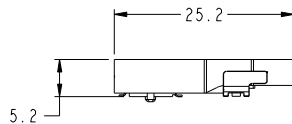
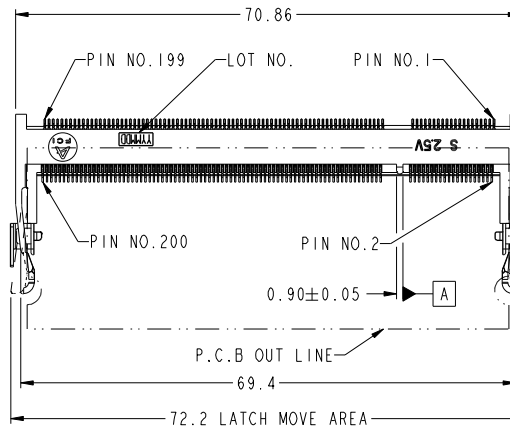
Email & Skype: info@chipsmall.com Web: www.chipsmall.com

Address: A1208, Overseas Decoration Building, #122 Zhenhua RD., Futian, Shenzhen, China

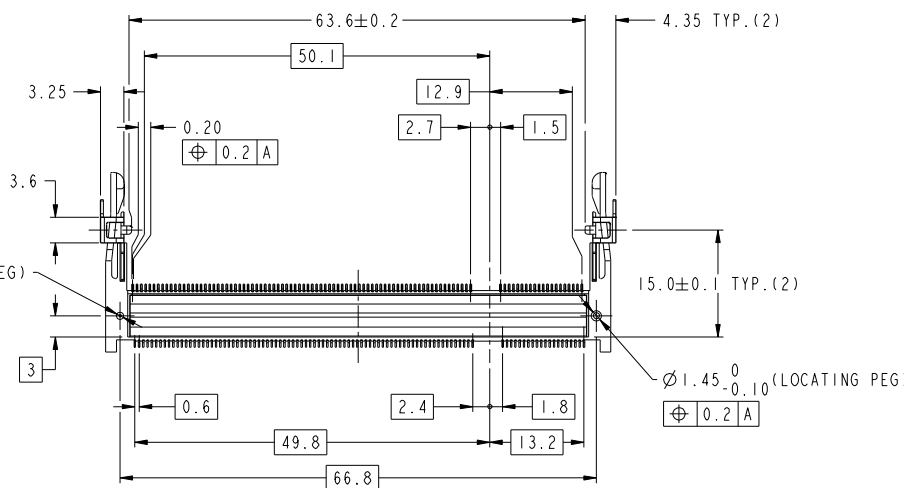


PRODUCT NO.

SEE SHEET 4



SECTION XI-XI



NOTE

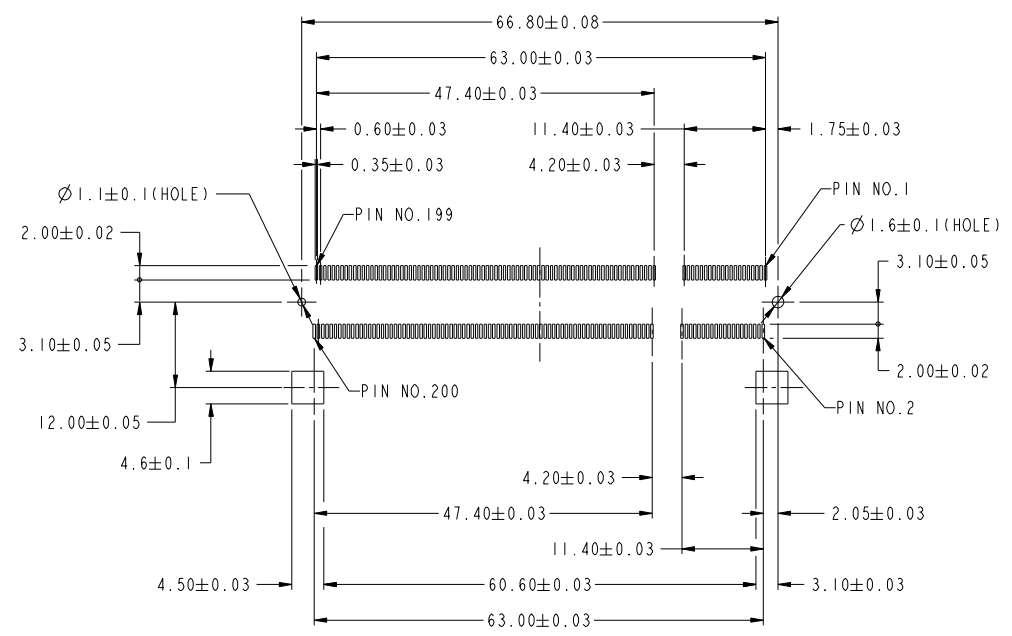
1. PRODUCT SPEC. : GS-12-195
2. PACKAGING SPEC. : GS-14-786
3. MATERIAL:
 - 1) HOUSING : LCP, UL94V-0, COLOR BLACK
 - 2) CONTACT : COPPER ALLOY
 - 3) HOLD DOWN : BRASS
4. FINISH
 - 1) TERMINAL : SEE TABLE
 - 2) HOLD DOWN : SEE TABLE
5. CO-PLANARITY : 0.1 MAX.(INCLUDE HOLD DOWN)
6. THIS PRODUCT MEETS EUROPEAN UNION DIRECTIVES AND OTHER COUNTRY REGULATIONS AS DESCRIBED IN GS-22-008.
7. THE HOUSING WILL WITHSTAND EXPOSURE TO 260° PEAK TEMPERATURE FOR 10 SECONDS IN A REFLOW SOLDER APPLICATION.

Copyright FCI

| rev | ecr no | dr | date |
|-----|-----------|----|------------|
| A | DG11-0085 | SH | 2011-03-29 |
| - | - | - | - |
| - | - | - | - |
| - | - | - | - |
| - | - | - | - |

| | | | | | |
|---------------------------------------|--|---------------------------------|--|---------------|--------------|
| www.fciconnect.com | | surface ASME Y14.5 | tolerance std ASME Y14.5 | projection | MM |
| TOLERANCES UNLESS OTHERWISE SPECIFIED | | ANGULAR | LINEAR | size | Scale |
| | | 0° ±2" | 0.x ±0.30 0.xx ±0.15 0.xxx ±0.08 | A2 | 1:1 |
| Dr SH MIAO 2011-03-29 | | Product family 50UF | | SO-DIMM | Spec ref |
| Eng SH MIAO 2011-03-29 | | Product family 50UF | | SO-DIMM | Spec ref |
| Chr RICK BIAN 2011-03-29 | | Product family 50UF | | SO-DIMM | Spec ref |
| Appr HSIA JOSEPH 2011-03-29 | | Product family 50UF | | SO-DIMM | Spec ref |
| FCI | | DDR SO-DIMM 0.6mm PITCH 200 POS | | 10117867C | Rev. A |
| STANDARD TYPE ASS'Y | | catalog no | | CUSTOMER COPY | sheet 1 of 4 |

PRODUCT NO.
10117867-x52xx



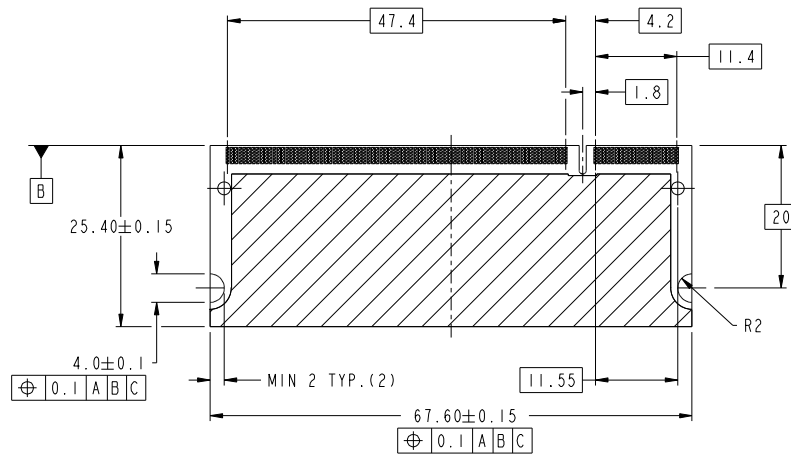
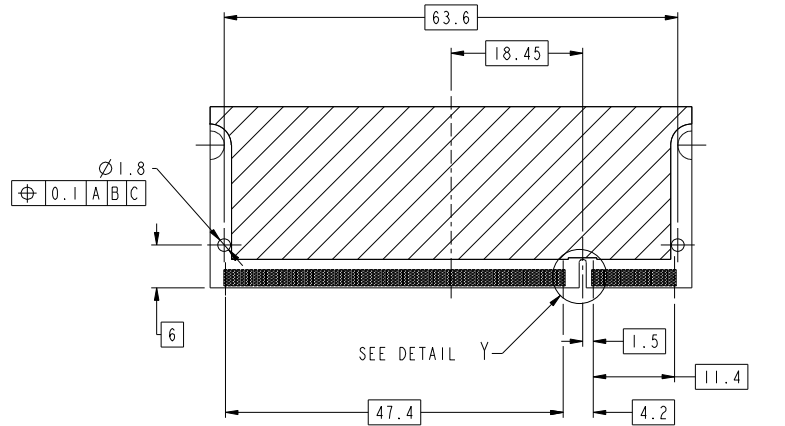
RECOMMENDED MOUNTING P.C.B. LAYOUT

Copyright FCI.
FCI

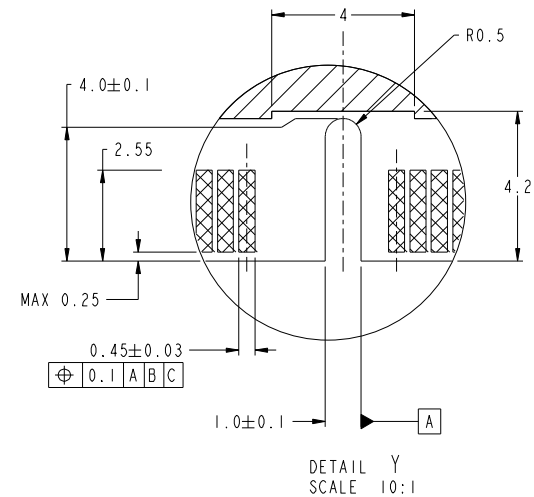
| | | | | | |
|-----|---------------------------------|------------|---------------|--------------|---|
| FCI | DDR SO-DIMM 0.6mm PITCH 200 POS | diag no | 10117867C | Rev. | A |
| | STANDARD TYPE ASS'Y | catalog no | CUSTOMER COPY | sheet 2 of 4 | |

PRODUCT NO.

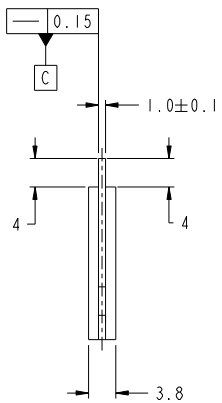
10117867-x52xx



RECOMMENDED MODULE P.C.B LAYOUT



DETAIL Y
SCALE 10:1



Copyright FCI.



DDR SO-DIMM 0.6mm PITCH 200 POS
STANDARD TYPE ASS'Y

catalog no - 10117867C
CUSTOMER COPY sheet 3 of 4

Rev. A

| 1 | | 2 | | 3 | | 4 | | 5 | | 6 | | 7 | | 8 | |
|----------------|--------------|------------------------------|------------------|--------------------|-----------|---|---|---|---|----|---|---|---------------|---|--|
| PRODUCT NO. | LOCATING PEG | TERMINAL CONTACT AREA FINISH | HOLD DOWN FINISH | SOLDER TAIL FINISH | | | | | | | | | | | |
| 10117867-052FS | YES | Au FLASH | Pure Sn PLATING | Au FLASH PLATING | 10117867- | □ | □ | □ | □ | LF | <p>For Rohs OPTIONS: TAIL PLATING CODE MUST BE 0-3. HOLD DOWN PLATING CODE MUST BE "S". "LF" CODE IS EXIST IN THE END. EX: 10117867-252SLF</p> <p>FOR NOT Rohs COMPATIBLE: THIS "LF" CODE IS "BLANK". EX:10117867-452TS</p> <p><PACKING METHOD> R : TAPE REEL DEFAULT : TRAY</p> <p><HOLD DOWN FINISH> S : Pure Sn B : Sn-Pb</p> <p><CONTACT AREA FINISH> F : Au FLASH T : Au 0.3µm MIN. A : Au 0.76µm MIN.</p> <p><TOTAL HEIGHT> 52 : 5.2mm</p> <p><LOCATING PEG, SOLDER TAIL FINISH> 0 : YES, Au FLASH 1 : NO, Au FLASH 2 : YES, Pure Sn PLATING 3 : NO, Pure Sn PLATING 4 : YES, Sn-Pb PLATING 5 : NO, Sn-Pb PLATING</p> | A | | | |
| 10117867-152FS | NO | | | | | | | | | | | | | | |
| 10117867-052TS | YES | Au 0.3µm MIN. | | | | | | | | | | | | | |
| 10117867-152TS | NO | | | | | | | | | | | | | | |
| 10117867-052AS | YES | Au 0.76µm MIN. | | | | | | | | | | | | | |
| 10117867-152AS | NO | | | | | | | | | | | | | | |
| 10117867-052FC | YES | Au FLASH | | | | | | | | | | | Sn-Cu PLATING | | |
| 10117867-152FC | NO | | | | | | | | | | | | | | |
| 10117867-052TC | YES | Au 0.3µm MIN. | | | | | | | | | | | | | |
| 10117867-152TC | NO | | | | | | | | | | | | | | |
| 10117867-052AC | YES | Au 0.76µm MIN. | | | | | | | | | | | | | |
| 10117867-152AC | NO | | | | | | | | | | | | | | |
| 10117867-252FS | YES | Au FLASH | Pure Sn PLATING | Pure Sn PLATING | 10117867- | □ | □ | □ | □ | LF | <p><PACKING METHOD> R : TAPE REEL DEFAULT : TRAY</p> <p><HOLD DOWN FINISH> S : Pure Sn B : Sn-Pb</p> <p><CONTACT AREA FINISH> F : Au FLASH T : Au 0.3µm MIN. A : Au 0.76µm MIN.</p> <p><TOTAL HEIGHT> 52 : 5.2mm</p> <p><LOCATING PEG, SOLDER TAIL FINISH> 0 : YES, Au FLASH 1 : NO, Au FLASH 2 : YES, Pure Sn PLATING 3 : NO, Pure Sn PLATING 4 : YES, Sn-Pb PLATING 5 : NO, Sn-Pb PLATING</p> | B | | | |
| 10117867-352FS | NO | | | | | | | | | | | | | | |
| 10117867-252TS | YES | Au 0.3µm MIN. | | | | | | | | | | | | | |
| 10117867-352TS | NO | | | | | | | | | | | | | | |
| 10117867-252AS | YES | Au 0.76µm MIN. | | | | | | | | | | | | | |
| 10117867-352AS | NO | | | | | | | | | | | | | | |
| 10117867-252FC | YES | Au FLASH | | | | | | | | | | | Sn-Cu PLATING | | |
| 10117867-352FC | NO | | | | | | | | | | | | | | |
| 10117867-252TC | YES | Au 0.3µm MIN. | | | | | | | | | | | | | |
| 10117867-352TC | NO | | | | | | | | | | | | | | |
| 10117867-252AC | YES | Au 0.76µm MIN. | | | | | | | | | | | | | |
| 10117867-352AC | NO | | | | | | | | | | | | | | |
| 10117867-452FS | YES | Au FLASH | Pure Sn PLATING | Sn-Pb PLATING | 10117867- | □ | □ | □ | □ | LF | <p><PACKING METHOD> R : TAPE REEL DEFAULT : TRAY</p> <p><HOLD DOWN FINISH> S : Pure Sn B : Sn-Pb</p> <p><CONTACT AREA FINISH> F : Au FLASH T : Au 0.3µm MIN. A : Au 0.76µm MIN.</p> <p><TOTAL HEIGHT> 52 : 5.2mm</p> <p><LOCATING PEG, SOLDER TAIL FINISH> 0 : YES, Au FLASH 1 : NO, Au FLASH 2 : YES, Pure Sn PLATING 3 : NO, Pure Sn PLATING 4 : YES, Sn-Pb PLATING 5 : NO, Sn-Pb PLATING</p> | C | | | |
| 10117867-552FS | NO | | | | | | | | | | | | | | |
| 10117867-452TS | YES | Au 0.3µm MIN. | | | | | | | | | | | | | |
| 10117867-552TS | NO | | | | | | | | | | | | | | |
| 10117867-452AS | YES | Au 0.76µm MIN. | | | | | | | | | | | | | |
| 10117867-552AS | NO | | | | | | | | | | | | | | |
| 10117867-452FC | YES | Au FLASH | | | | | | | | | | | Sn-Cu PLATING | | |
| 10117867-552FC | NO | | | | | | | | | | | | | | |
| 10117867-452TC | YES | Au 0.3µm MIN. | | | | | | | | | | | | | |
| 10117867-552TC | NO | | | | | | | | | | | | | | |
| 10117867-452AC | YES | Au 0.76µm MIN. | | | | | | | | | | | | | |
| 10117867-552AC | NO | | | | | | | | | | | | | | |
| E | | | | | | | | | | | | | | | |
| F | | | | | | | | | | | | | | | |