



Chipsmall Limited consists of a professional team with an average of over 10 year of expertise in the distribution of electronic components. Based in Hongkong, we have already established firm and mutual-benefit business relationships with customers from,Europe,America and south Asia,supplying obsolete and hard-to-find components to meet their specific needs.

With the principle of “Quality Parts,Customers Priority,Honest Operation,and Considerate Service”,our business mainly focus on the distribution of electronic components. Line cards we deal with include Microchip,ALPS,ROHM,Xilinx,Pulse,ON,Everlight and Freescale. Main products comprise IC,Modules,Potentiometer,IC Socket,Relay,Connector.Our parts cover such applications as commercial,industrial, and automotives areas.

We are looking forward to setting up business relationship with you and hope to provide you with the best service and solution. Let us make a better world for our industry!



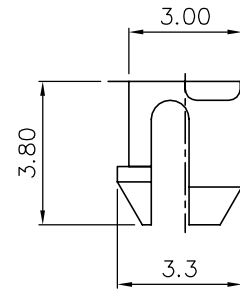
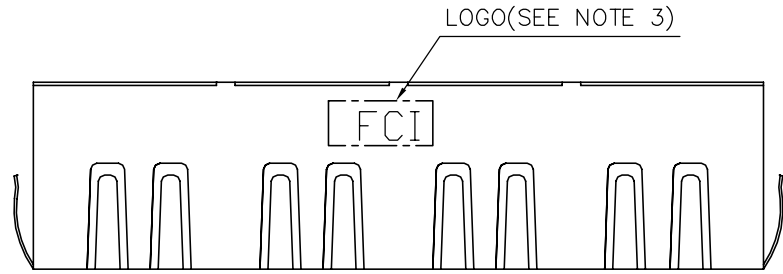
Contact us

Tel: +86-755-8981 8866 Fax: +86-755-8427 6832

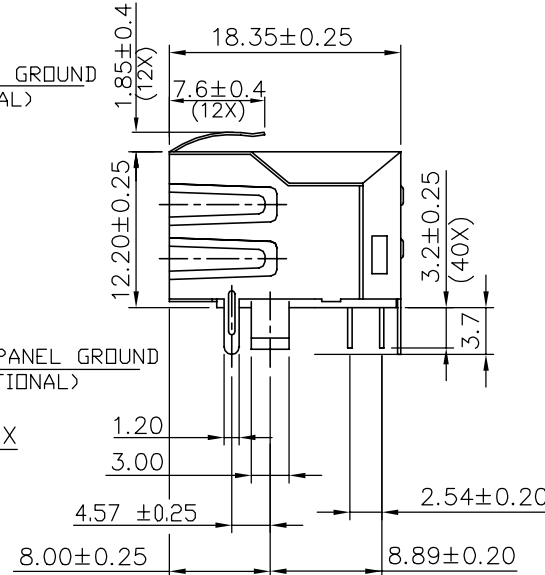
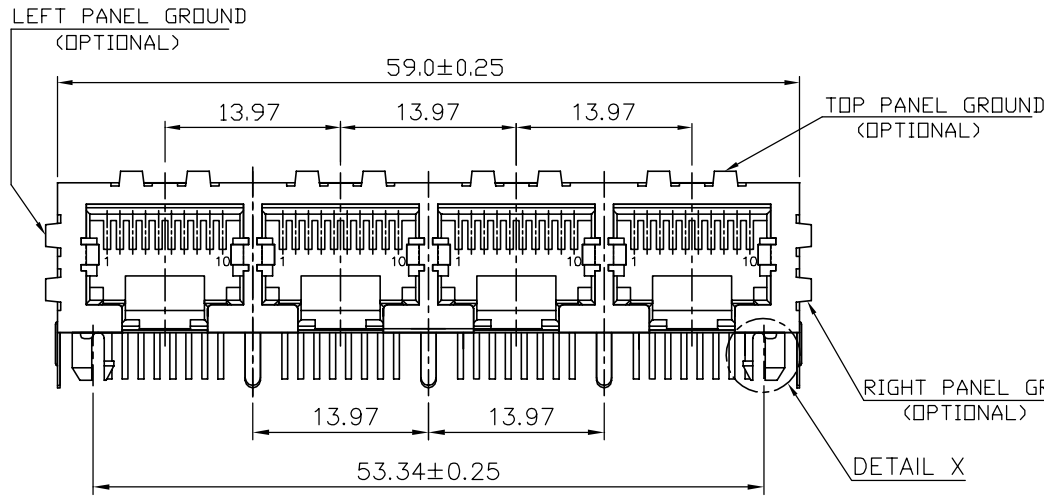
Email & Skype: info@chipsmall.com Web: www.chipsmall.com

Address: A1208, Overseas Decoration Building, #122 Zhenhua RD., Futian, Shenzhen, China

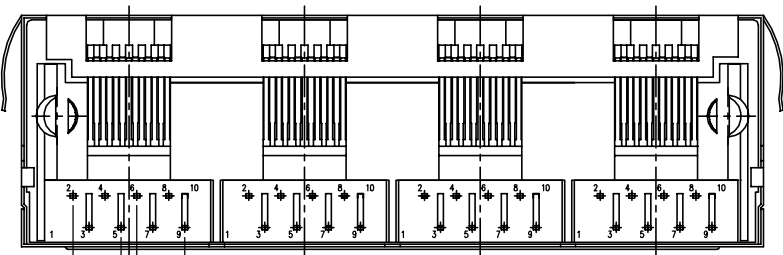
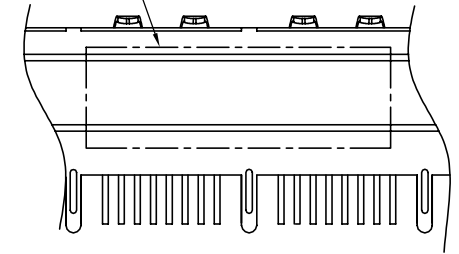




DETAIL X

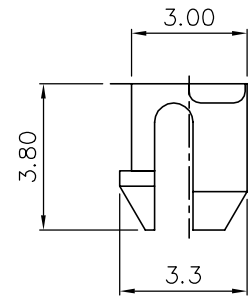
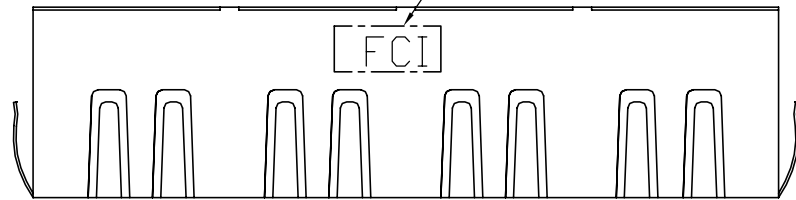


PRINT P/N & DATE CODE (SEE NOTE 4)



mat'l. code		surface ASME Y14.5		tolerance ASME Y14.5		projection		product family	
GANGED MJACK		ASME Y14.5		ASME Y14.5		MM		GANGED MJACK	
ltr	ecn no	dr	date	tolerances unless otherwise specified		MM		title	
A	-	WL	11/04/11	angles	X.X±0.25	MM		CAT 3 MULTI-PORTS TAB DOWN	
B	ECN-ELX-N-008500	A.ZH	12/05/11	line	X.XX±0.13	MM		1x4 WITH SHIELD, W/O LED	
C	ECN-ELX-N-009381	A.ZH	01/06/12	X*±1*	X.XXX±0.05	scale		dwg no	
		dr	WENDY CHEN	05/03/11			sheet 1 of 4		size
		enr	WENDY CHEN	05/03/11			10118065		A4
		chr	WENDY CHEN	05/03/11			type		CUSTOMER Drawing
		appd	GARY HSIEH	05/03/11					
sheet index	revision	C							
	sheet	1~4							

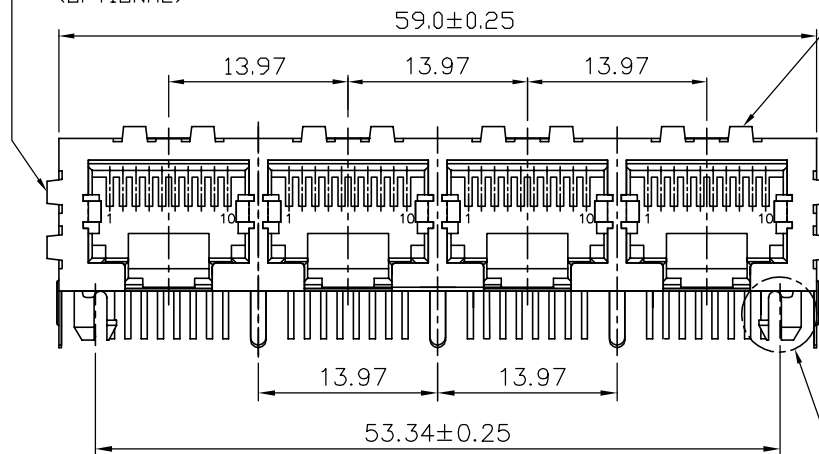
LOGO(SEE NOTE 3)



DETAIL X

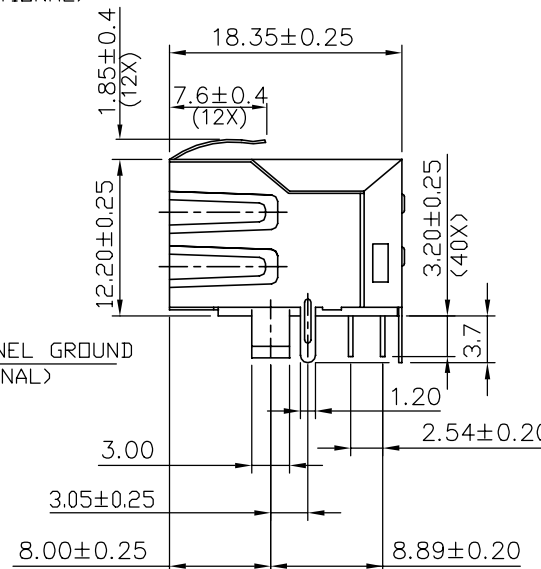
LEFT PANEL GROUND (OPTIONAL)

TOP PANEL GROUND (OPTIONAL)

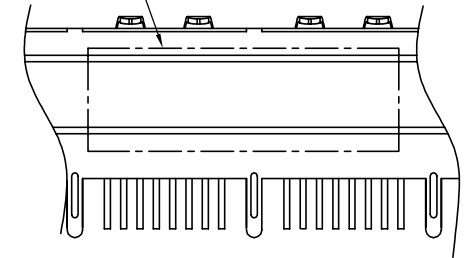


DETAIL X

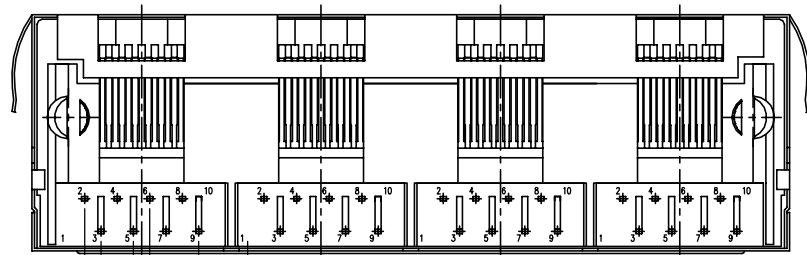
RIGHT PANEL GROUND (OPTIONAL)



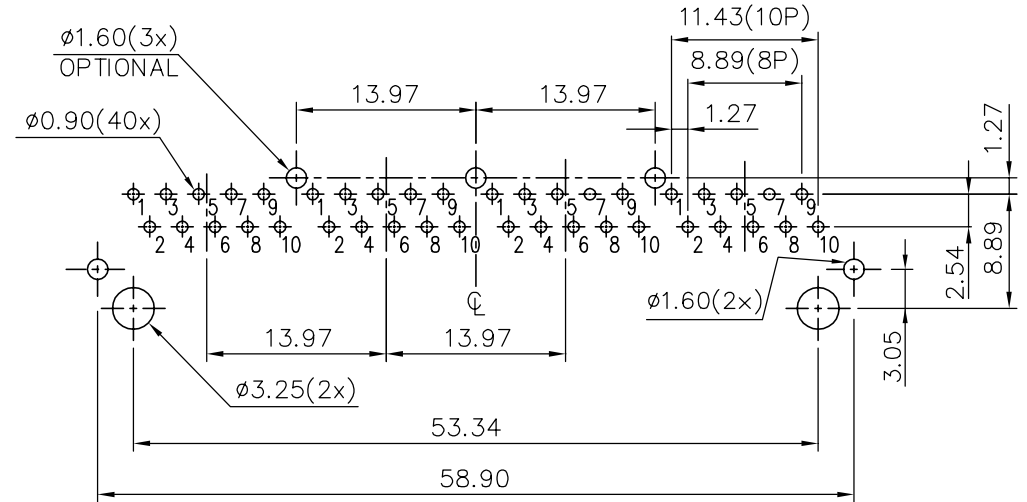
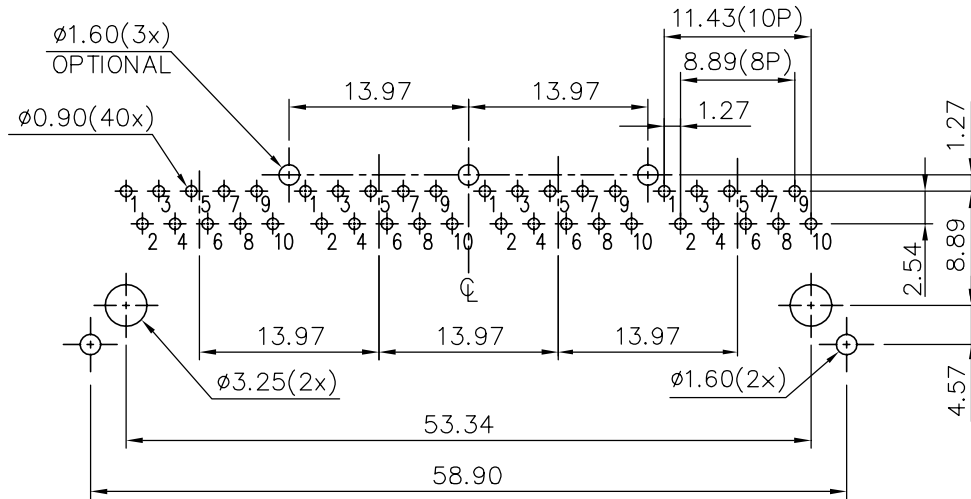
PRINT P/N & DATE CODE (SEE NOTE 4)



BACK VIEW



mat'l. code		surface ASME Y14.5	tolerance ASME Y14.5	projection MM	product family GANGED MJACK
ltr	ecn no	dr	date	tolerances unless otherwise specified	title CAT 3 MULTI-PORTS TAB DOWN 1x4 WITH SHIELD, W/O LED
C				angles X.X±0.25 X.XX±0.13 X*±1*	scale
		dr	WENDY CHEN 05/03/11	FCI	dwg no 10118065
		enr	WENDY CHEN 05/03/11		sheet 2 of 4
		chr	WENDY CHEN 05/03/11		size A4
		appd	GARY HSIEH 05/03/11		type CUSTOMER Drawing
sheet index	revision sheet				

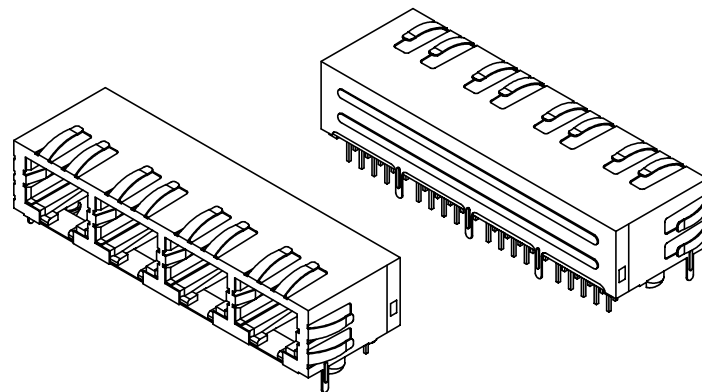


RECOMMENDED PCB LAYOUT

RECOMMENDED PCB THICKNESS: 1.6mm
TOLERANCE: ± 0.05 (TOP VIEW)

RECOMMENDED PCB LAYOUT

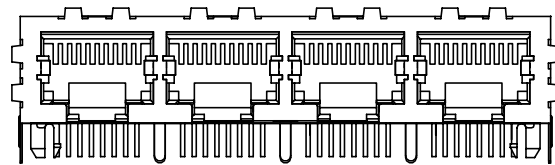
RECOMMENDED PCB THICKNESS: 1.6mm
TOLERANCE: ± 0.05 (TOP VIEW)



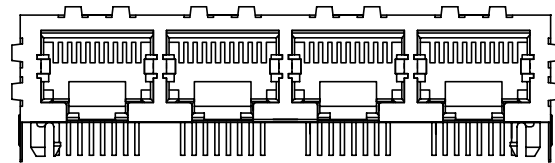
mat'l. code		surface ASME Y14.5	tolerance ASME Y14.5	projection MM	product family GANGED MJACK
ltr	ecn no	dr	date	tolerances unless otherwise specified	title CAT 3 MULTI-PORTS TAB DOWN 1x4 WITH SHIELD, W/O LED
C				angles X.X \pm 0.25 X.XX \pm 0.13 X* \pm 1*	
		dr	WENDY CHEN	05/03/11	dwg no 10118065 sheet 3 of 4 size A4
		enr	WENDY CHEN	05/03/11	
		chr	WENDY CHEN	05/03/11	
		appd	GARY HSIEH	05/03/11	
sheet index	revision sheet				type CUSTOMER Drawing

NOTE:

1. MATERIAL:
HOUSING: HIGH TEMPERATURE THERMOPLASTIC, UL94V-0
COLOR: BLACK.
CONTACTS: COPPER ALLOY.
SHIELD: COPPER ALLOY.
2. FINISH:
CONTACTS: 50u" MIN. NICKEL UNDER PLATED OVER ALL.
SELECTIVE GOLD PLATED ON CONTACT AREA,
1u" GOLD PLATED ON SOLDER TAIL.
SHIELD: 20u" MIN. NICKEL OVER ALL.
3. LASER MARK FCI LOGO ON THE TOP OF SHIELD.
4. "DATE CODE" DESCRIPTION:
XX XX
WEEK
YEAR (EX. : 10--2010)
5. PRODUCT PERFORMANCE PER SPEC. : GS-12-0990.
6. PACKING SPEC. : GS-14-2170.
7. THIS PRODUCT MEETS THE EUROPEAN UNION DIRECTIVE AS DESCRIBED IN GS-22-008.
8. THE HOUSING WILL WITHSTAND EXPOSURE TO 260°C PEAK TEMPERATURE FOR 5 SECONDS IN A WAVE SOLDER APPLICATION WITH A CIRCUIT BOARD.
9. FOR "10P 8C" P/N: EACH PORT HAS 8Pin, TOTAL HAS 32 Pin FOR FOUR PORTS.



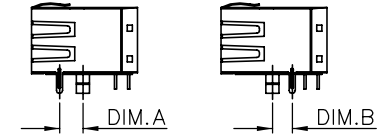
10118065-XXXX3XXLF
WITH 3 BACK SHIELD TABS



10118065-XXXXOXXLF
WITHOUT BACK SHIELD TAB

10. PART NUMBER DESCRIPTION:

- 10118065-X X X X X X X LF
- LEAD FREE
 - 0 : 10P 8C (SEE NOTE 9)
 - PACKAGING
 - 1 : TRAY
 - OPTIONAL BACK SHIELD TAB
 - 0 : WITHOUT BACK SHIELD TAB
 - 3 : WITH 3 BACK SHIELD TABS
 - OPTIONAL RIGHT / LEFT SHIELD TAB
 - 1 : DIM.A=4.57
 - 5 : DIM.B=3.05
 - OPTIONAL PANEL GROUND
 - 0 : WITHOUT PANEL GROUND
 - 3 : 3 SIDES PANEL GROUND
 - LED COLOR
 - 0 : WITHOUT LED
 - CONTACT AREA PLATING
 - 1 : 15u" GOLD PLATING
 - 2 : 30u" GOLD PLATING
 - 5 : 1u" GOLD FLASH PLATING



mat'l. code		surface ASME Y14.5	tolerance ASME Y14.5	projection MM	product family GANGED MJACK		
ltr	ecn no	dr	date	tolerances unless otherwise specified		title	
C				angles X.X±0.25	scale	CAT 3 MULTI-PORTS TAB DOWN 1x4 WITH SHIELD, W/O LED	
				X.XX±0.13			
				X*±1"			
		dr	WENDY CHEN	05/03/11	FCI	sheet 4 of 4	
		enr	WENDY CHEN	05/03/11		size	
		chr	WENDY CHEN	05/03/11		10118065	A4
		appd	GARY HSIEH	05/03/11		type	CUSTOMER Drawing
sheet index	revision sheet						