



Chipsmall Limited consists of a professional team with an average of over 10 year of expertise in the distribution of electronic components. Based in Hongkong, we have already established firm and mutual-benefit business relationships with customers from,Europe,America and south Asia,supplying obsolete and hard-to-find components to meet their specific needs.

With the principle of “Quality Parts,Customers Priority,Honest Operation,and Considerate Service”,our business mainly focus on the distribution of electronic components. Line cards we deal with include Microchip,ALPS,ROHM,Xilinx,Pulse,ON,Everlight and Freescale. Main products comprise IC,Modules,Potentiometer,IC Socket,Relay,Connector.Our parts cover such applications as commercial,industrial, and automotives areas.

We are looking forward to setting up business relationship with you and hope to provide you with the best service and solution. Let us make a better world for our industry!



Contact us

Tel: +86-755-8981 8866 Fax: +86-755-8427 6832

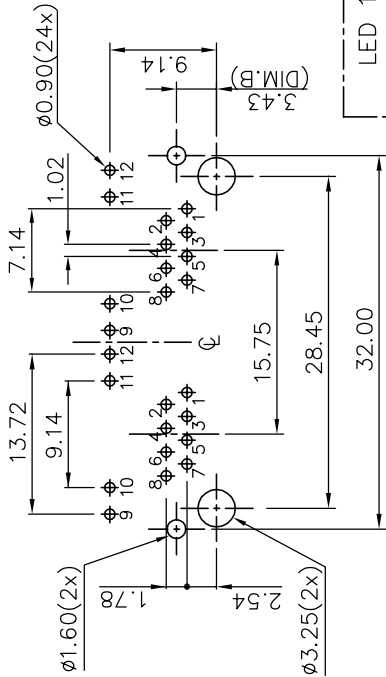
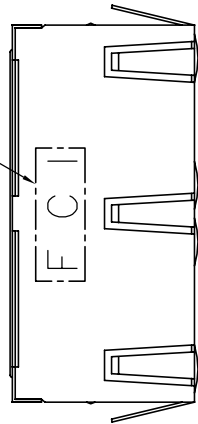
Email & Skype: info@chipsmall.com Web: www.chipsmall.com

Address: A1208, Overseas Decoration Building, #122 Zhenhua RD., Futian, Shenzhen, China

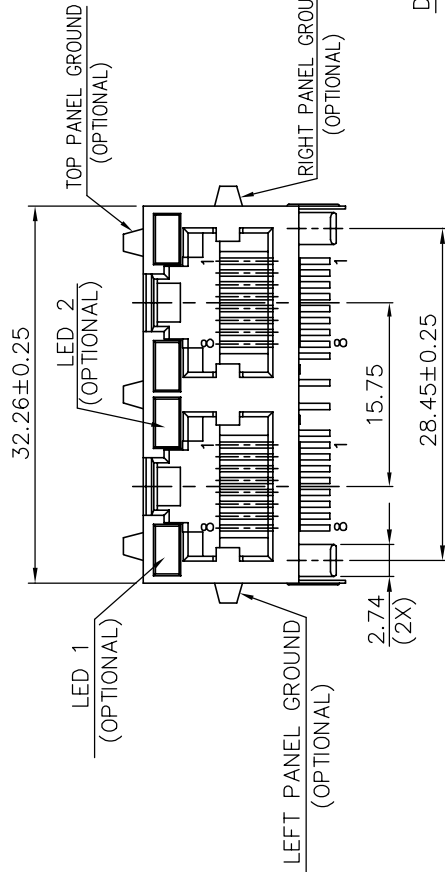
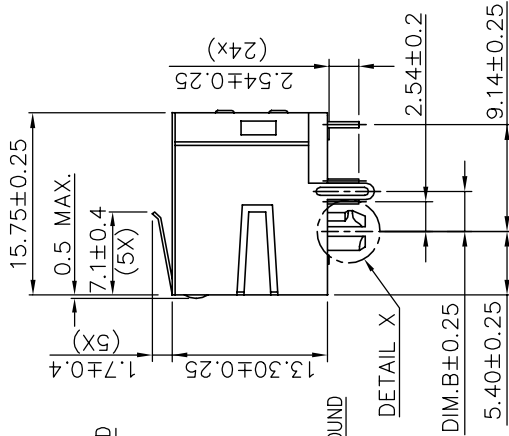


P/N	DIM.B
10118066-XXX6XXXLF	3.43

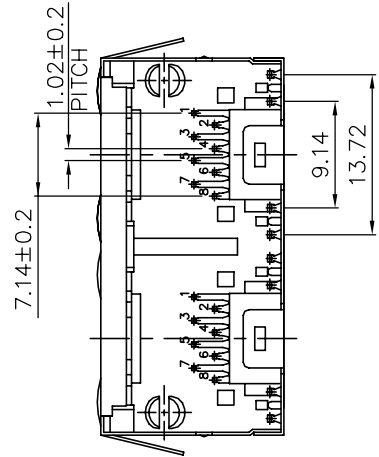
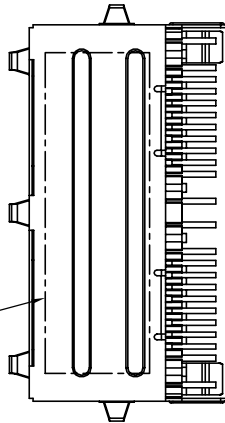
FCI LOGO(NOTE 3)



LED 1 LED 2
9+ → -10 11+ → -12
LED SCHEMATIC



PRINT P/N & DATE CODE (SEE NOTE 4)



mat'l. code		surface	tolerance	projection	product family
itr	ecn no	ASME Y14.5	ASME Y14.5	title	GANGED MJACK
A	WL 11/04/11	tolerances unless otherwise specified	X.X±0.25	MM	CAT 3 MULTI-PORTS TAB UP
B	ELX-N-13968 Henry 01/31/13	angles	X.XX±0.13	[INCH]	1x2 WITH SHIELD, W/ LED
		X'±1'	X.XXX±0.05	scale	
		dr	WENDY CHEN 05/11/11	FCI	dwg no sheet 1 of 2 size
		enfr	WENDY CHEN 05/11/11		10118066 A4
		chr	WENDY CHEN 05/11/11		type CUSTOMER Drawing
sheet	revision	appr	GARY HSIEH 05/11/11		
index	sheet				
	1				
	2				

