



Chipsmall Limited consists of a professional team with an average of over 10 year of expertise in the distribution of electronic components. Based in Hongkong, we have already established firm and mutual-benefit business relationships with customers from,Europe,America and south Asia,supplying obsolete and hard-to-find components to meet their specific needs.

With the principle of “Quality Parts,Customers Priority,Honest Operation,and Considerate Service”,our business mainly focus on the distribution of electronic components. Line cards we deal with include Microchip,ALPS,ROHM,Xilinx,Pulse,ON,Everlight and Freescale. Main products comprise IC,Modules,Potentiometer,IC Socket,Relay,Connector.Our parts cover such applications as commercial,industrial, and automotives areas.

We are looking forward to setting up business relationship with you and hope to provide you with the best service and solution. Let us make a better world for our industry!



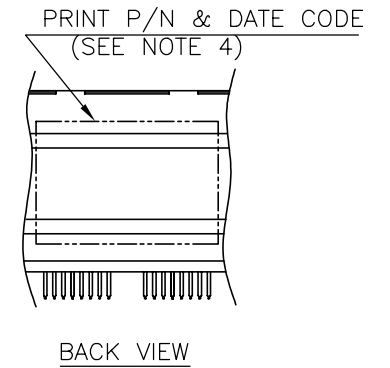
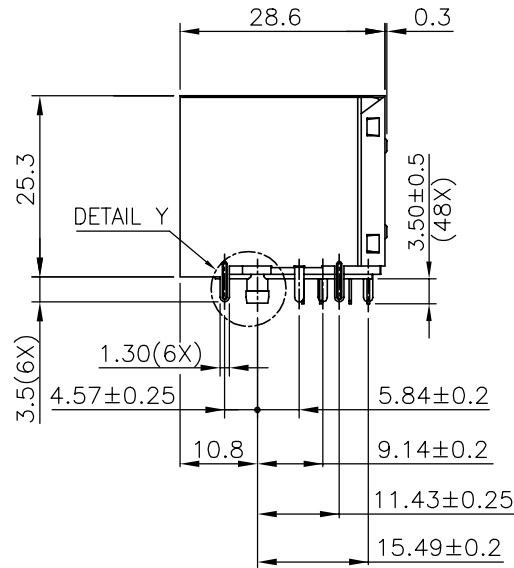
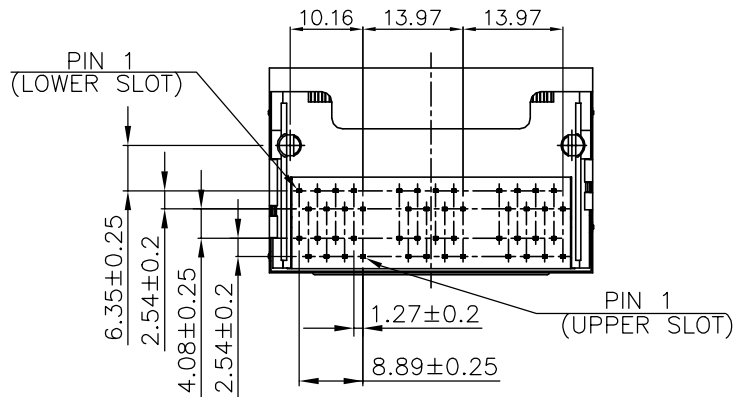
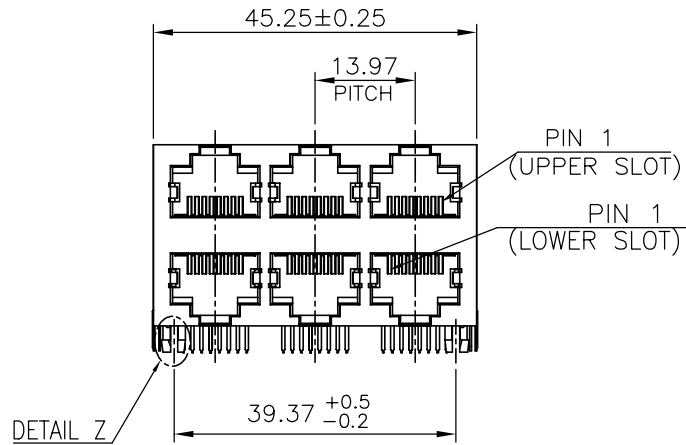
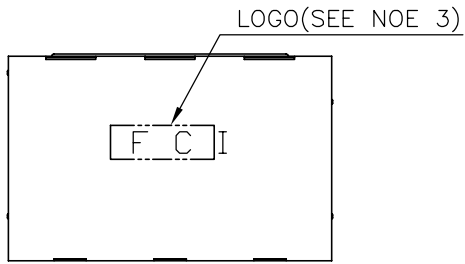
## Contact us

Tel: +86-755-8981 8866 Fax: +86-755-8427 6832

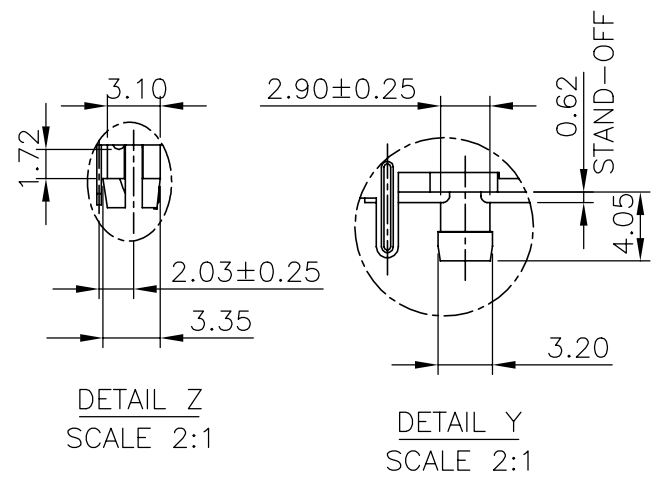
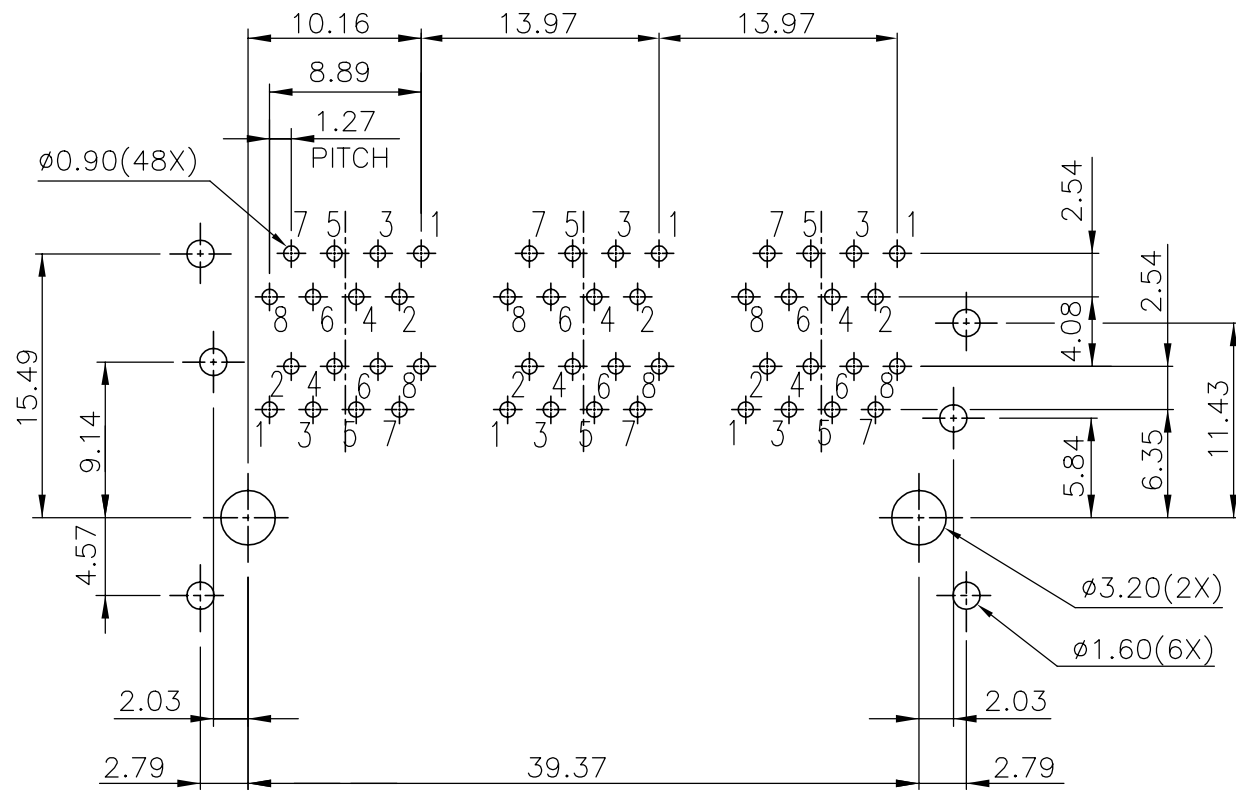
Email & Skype: info@chipsmall.com Web: www.chipsmall.com

Address: A1208, Overseas Decoration Building, #122 Zhenhua RD., Futian, Shenzhen, China





mat'l. code		surface ASME Y14.5 ✓		tolerance ASME Y14.5		projection MM [INCH]		product family GANGED MJACK	
ltr	ecn no	dr	date	tolerances unless otherwise specified		scale		title CAT 3 MULTIPORT STACKED 2x3 WITH SHIELD, W/O LED	
A		WL	11/04/11	angles	X.X±0.25			dwg no 10118071	
				fillets	X.XX±0.13			sheet 1 of 3 size A4	
				X*±1*	X.XXX±0.05			type CUSTOMER Drawing	
				dr	WENDY CHEN	05/03/11			
				enr	WENDY CHEN	05/03/11			
				chr	WENDY CHEN	05/03/11			
				appd	GARY HSIEH	05/03/11			
sheet index	revision sheet	A	A	A					
		1	2	3					



RECOMMENDED PCB LAYOUT  
RECOMMENDED PCB THICKNESS: 1.6mm  
TOLERANCE:±0.05mm (TOP VIEW)

mat'l. code		surface ASME Y14.5		tolerance ASME Y14.5		projection		product family	
ltr		ecn no		dr		date		GANGED MJACK	
A								title	
				angles		X.X±0.25		CAT 3 MULTIPORT STACKED	
				X°±1°		X.XX±0.13		2x3 WITH SHIELD, W/O LED	
						X.XXX±0.05		scale	
				dr		WENDY CHEN 05/03/11		dwg no	
				enr		WENDY CHEN 05/03/11		sheet 2 of 3	
				chr		WENDY CHEN 05/03/11		10118071	
				appd		GARY HSIEH 05/03/11		A4	
sheet index		revision sheet						type	
								CUSTOMER Drawing	

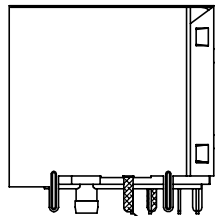
NOTE:

1. MATERIAL:  
HOUSING & INNER HOUSING & COVER:  
HIGH TEMPERATURE THERMOPLASTIC, UL94V-0, COLOR: BLACK.  
CONTACTS: COPPER ALLOY.  
SHIELD: COPPER ALLOY.  
INNER SHIELD: COPPER ALLOY.
2. FINISH:  
CONTACTS: 50u" MIN. NICKEL UNDER PLATED OVER ALL.  
SELECTIVE GOLD PLATED ON CONTACT AREA,  
1u" GOLD PLATED ON SOLDER TAIL.  
SHIELD & INNER SHIELD: 20u" MIN. NICKEL OVER ALL.
3. LASER MARK FCI LOGO ON THE TOP OF SHIELD.
4. "DATE CODE" DESCRIPTION:  

XX	XX	
	WEEK	
		YEAR (EX. : 10--2010)
5. PRODUCT PERFORMANCE PER SPEC. : GS-12-0990.
6. PACKING SPEC. : GS-14-2170.
7. THIS PRODUCT MEETS THE EUROPEAN UNION DIRECTIVE AS DESCRIBED IN GS-22-008.
8. THE HOUSING WILL WITHSTAND EXPOSURE TO 260°C PEAK TEMPERATURE FOR 5 SECONDS IN A WAVE SOLDER APPLICATION WITH A CIRCUIT BOARD.

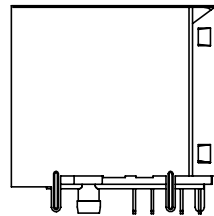
9. PART NUMBER DESCRIPTION:

- 10118071-X X X X X X LF
- LEAD FREE
  - 0 : RESERVED (NOT USED)
  - PACKAGING  
1 : TRAY
  - OPTIONAL BACK SHIELD TAB  
0 : WITHOUT BACK SHIELD TAB
  - OPTIONAL RIGHT / LEFT SHIELD TAB  
A : SHIELD TAB WITH INNER SHIELD  
B : SHIELD TAB WITHOUT INNER SHIELD
  - OPTIONAL PANEL GROUND  
0 : WITHOUT PANEL GROUND
  - LED COLOR  
0 : WITHOUT LED
  - CONTACT AREA PLATING  
1 : 15u" GOLD PLATING  
2 : 30u" GOLD PLATING  
5 : 1u" GOLD FLASH PLATING



INNER SHIELD

10118071-XXXAXXXLF  
( WITH INNER SHIELD)



10118071-XXXBXXXLF  
( WITHOUT INNER SHIELD)

mat'l. code		surface ASME Y14.5	tolerance ASME Y14.5	projection MM [INCH]	product family GANGED MJACK
ltr	ecn no	dr	date	tolerances unless otherwise specified	title CAT 3 MULTIPORT STACKED 2x3 WITH SHIELD, W/O LED
A				angles X.X±0.25 X.XX±0.13 X*±1*	
				scale	dwg no 10118071
		dr	WENDY CHEN	05/03/11	sheet 3 of 3
		enr	WENDY CHEN	05/03/11	size A4
		chr	WENDY CHEN	05/03/11	type CUSTOMER Drawing
		appd	GARY HSIEH	05/03/11	
sheet index	revision sheet				