



Chipsmall Limited consists of a professional team with an average of over 10 year of expertise in the distribution of electronic components. Based in Hongkong, we have already established firm and mutual-benefit business relationships with customers from,Europe,America and south Asia,supplying obsolete and hard-to-find components to meet their specific needs.

With the principle of “Quality Parts,Customers Priority,Honest Operation,and Considerate Service”,our business mainly focus on the distribution of electronic components. Line cards we deal with include Microchip,ALPS,ROHM,Xilinx,Pulse,ON,Everlight and Freescale. Main products comprise IC,Modules,Potentiometer,IC Socket,Relay,Connector.Our parts cover such applications as commercial,industrial, and automotives areas.

We are looking forward to setting up business relationship with you and hope to provide you with the best service and solution. Let us make a better world for our industry!



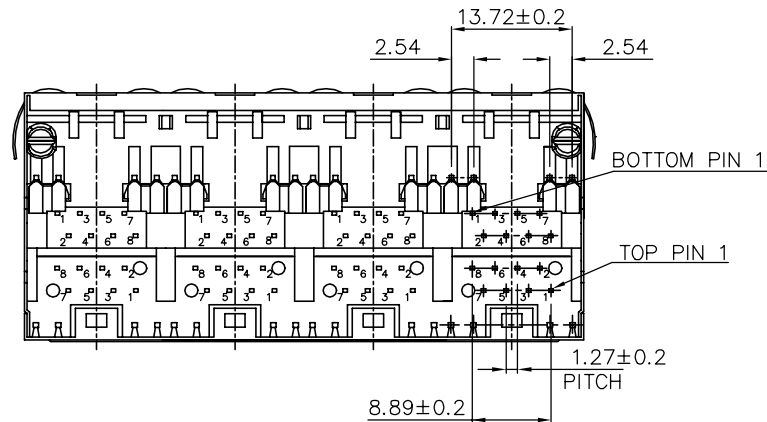
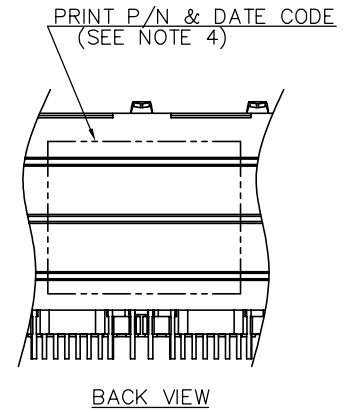
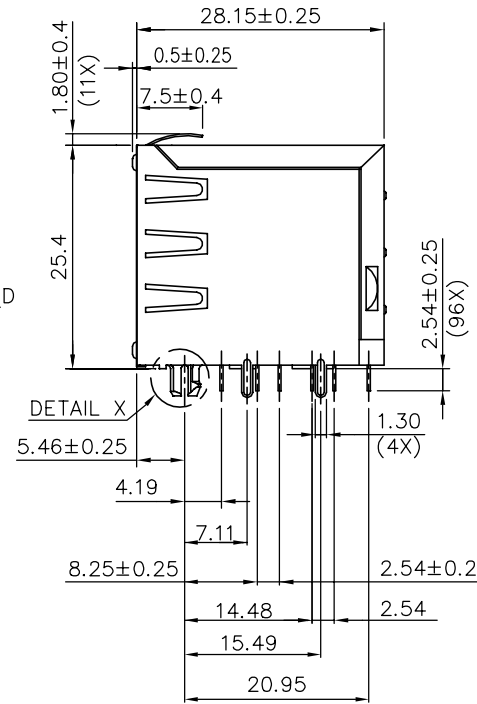
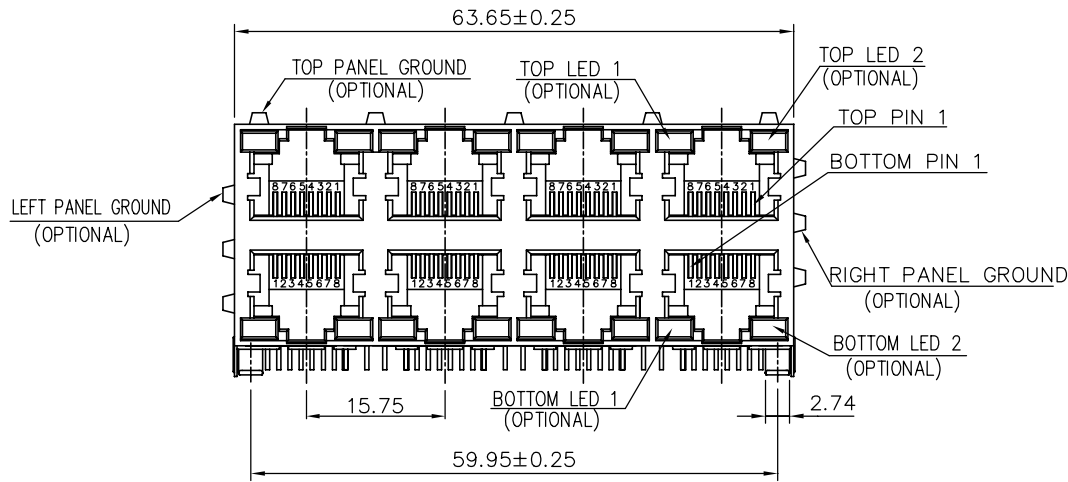
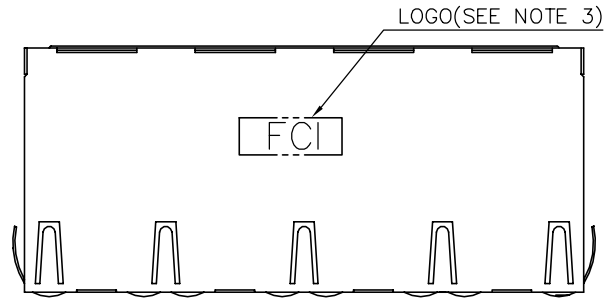
Contact us

Tel: +86-755-8981 8866 Fax: +86-755-8427 6832

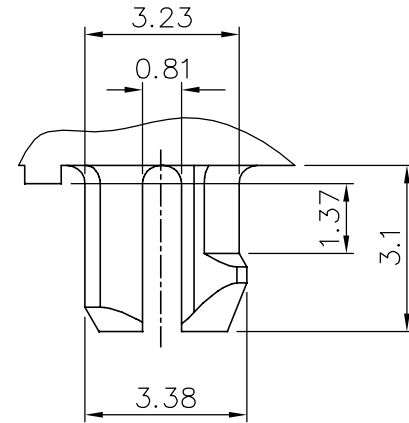
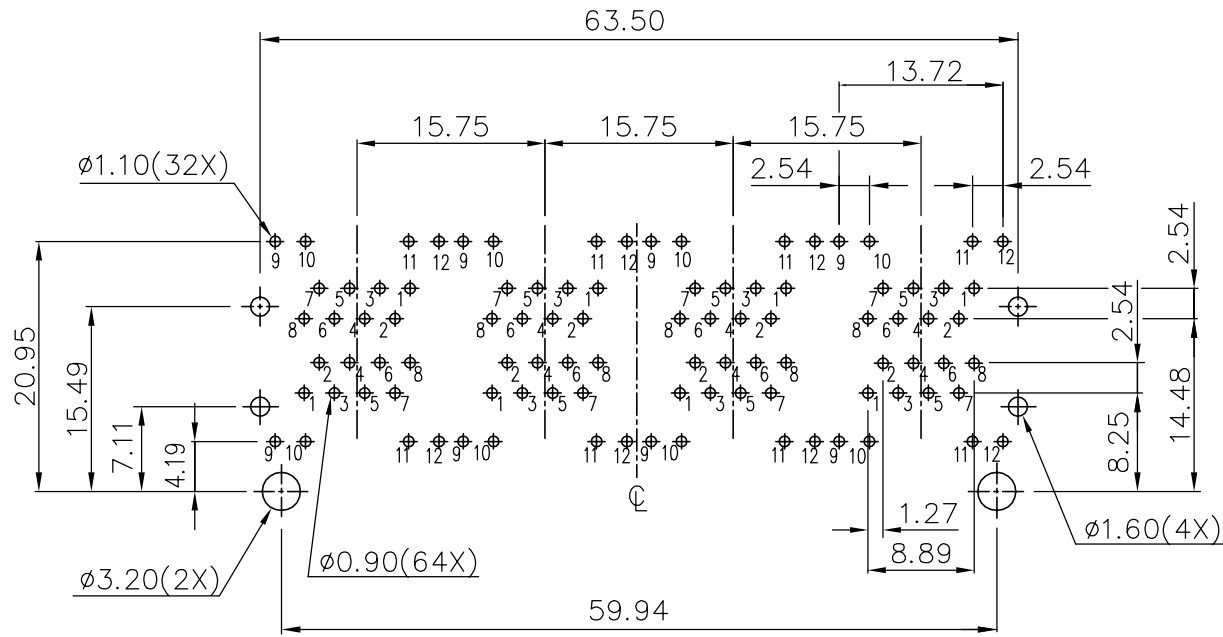
Email & Skype: info@chipsmall.com Web: www.chipsmall.com

Address: A1208, Overseas Decoration Building, #122 Zhenhua RD., Futian, Shenzhen, China



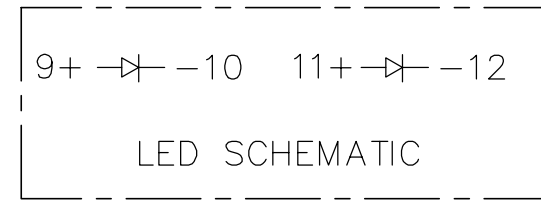


mat'l. code		surface ASME Y14.5 ✓		tolerance ASME Y14.5		projection MM [INCH]		product family GANGED MJACK	
ltr ecn no dr date		angles		tolerances unless otherwise specified		scale		title CAT 3 MULTIPORT STACKED 2x4 WITH SHIELD, W/LED	
A WL 11/04/11		X.X±0.25		X.XX±0.13		MM [INCH]		dwg no sheet 1 of 3 size 10118077 A4	
		X*±1*		X.XXX±0.05		scale		type CUSTOMER Drawing	
		dr WENDY CHEN 05/11/11		enr WENDY CHEN 05/11/11		FCI			
		chr WENDY CHEN 05/11/11		appd GARY HSIEH 05/11/11					
sheet index		revision sheet		A A A					
		1 2 3							



DETAIL X

RECOMMENDED PCB LAYOUT
 RECOMMENDED PCB THICKNESS: 1.6mm
 TOLERANCE: ±0.05 (TOP VIEW)



mat'l. code		surface ASME Y14.5		tolerance ASME Y14.5		projection MM [INCH]		product family GANGED MJACK	
ltr	ecn no	dr	date	tolerances unless otherwise specified		scale		title CAT 3 MULTIPOST STACKED 2x4 WITH SHIELD, W/LED	
A				angles	X.X±0.25			dwg no 10118077	
				fil	X.XX±0.13			sheet 2 of 3 size A4	
				X*±1*	X.XXX±0.05			type CUSTOMER Drawing	
				dr	WENDY CHEN	05/11/11	FCI		
				enr	WENDY CHEN	05/11/11			
				chr	WENDY CHEN	05/11/11			
				appd	GARY HSIEH	05/11/11			
sheet index	revision sheet								

NOTE:

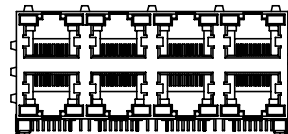
1. MATERIAL:
TOP HOUSING: HIGH TEMPERATURE THERMOPLASTIC, UL94V-0, COLOR: BLACK.
BOTTOM HOUSING: HIGH TEMPERATURE THERMOPLASTIC, UL94V-0, COLOR: BLACK.
CONTACTS: COPPER ALLOY.
SHIELD: COPPER ALLOY.
LED SOLDER TAIL: STEEL.
2. FINISH:
CONTACTS: 50u" MIN. NICKEL UNDER PLATED OVER ALL.
SELECTIVE GOLD PLATED ON CONTACT AREA,
1u" GOLD PLATED ON SOLDER TAIL.
LED SOLDER TAIL: 100u" MIN. BRIGHT TIN OVER
50u" NICKEL UNDER PLATED.
SHIELD: 20u" MIN. NICKEL OVER ALL.
3. LASER MARK FCI LOGO ON THE TOP OF SHIELD.
4. "DATE CODE" DESCRIPTION:
XX XX
WEEK
YEAR (EX. : 10--2010)
5. PRODUCT PERFORMANCE PER SPEC. : GS-12-0990.
6. PACKING SPEC. : GS-14-2170.
7. THIS PRODUCT MEETS THE EUROPEAN UNION DIRECTIVE AS DESCRIBED IN GS-22-008.
8. THE HOUSING WILL WITHSTAND EXPOSURE TO 260°C PEAK TEMPERATURE FOR 5 SECONDS IN A WAVE SOLDER APPLICATION WITH A CIRCUIT BOARD.

9. PART NUMBER DESCRIPTION:

- 10118077-X X X X X X X LF
- LEAD FREE
 - 0 : RESERVED (NOT USED)
 - PACKAGING
1 : TRAY
 - OPTIONAL BACK SHIELD TAB
0 : WITHOUT BACK SHIELD TAB
 - OPTIONAL RIGHT / LEFT SHIELD TAB
B : SHIELD TAB WITHOUT INNER SHIELD
 - OPTIONAL PANEL GROUND
0 : WITHOUT PANEL GROUND
3 : TOP/RIGHT/LEFT 3 SIDES WITH PANEL GROUND
 - LED COLOR
1 : LED1: GREEN / LED2: YELLOW
2 : LED1: YELLOW / LED2: GREEN
3 : LED1: GREEN / LED2: GREEN
 - CONTACT AREA PLATING
1 : 15u" GOLD PLATING
2 : 30u" GOLD PLATING
5 : 1u" GOLD FLASH PLATING



10118077-XX0XXXXLF
(WITHOUT PANEL GROUND)



10118077-XX3XXXXLF
(3 SIDES PANEL GROUND)

mat'l. code		surface ASME Y14.5 ✓	tolerance ASME Y14.5	projection ⊕	product family GANGED MJACK
ltr	ecn no	dr	date	tolerances unless otherwise specified	title CAT 3 MULTIPORT STACKED 2x4 WITH SHIELD, W/LED
A				angles X.X±0.25 X.XX±0.13 X*±1"	
				scale MM [INCH]	dwg no 10118077 sheet 3 of 3 size A4
				dr WENDY CHEN 05/11/11 enr WENDY CHEN 05/11/11 chr WENDY CHEN 05/11/11 appd GARY HSIEH 05/11/11	
sheet index	revision sheet				type CUSTOMER Drawing