



Chipsmall Limited consists of a professional team with an average of over 10 year of expertise in the distribution of electronic components. Based in Hongkong, we have already established firm and mutual-benefit business relationships with customers from,Europe,America and south Asia,supplying obsolete and hard-to-find components to meet their specific needs.

With the principle of "Quality Parts,Customers Priority,Honest Operation,and Considerate Service",our business mainly focus on the distribution of electronic components. Line cards we deal with include Microchip,ALPS,ROHM,Xilinx,Pulse,ON,Everlight and Freescale. Main products comprise IC,Modules,Potentiometer,IC Socket,Relay,Connector.Our parts cover such applications as commercial,industrial, and automotives areas.

We are looking forward to setting up business relationship with you and hope to provide you with the best service and solution. Let us make a better world for our industry!



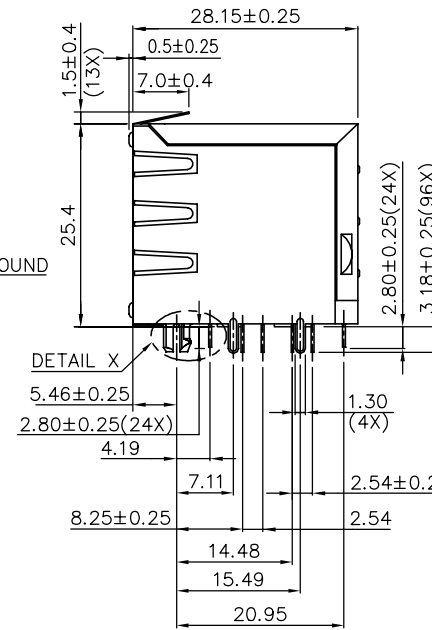
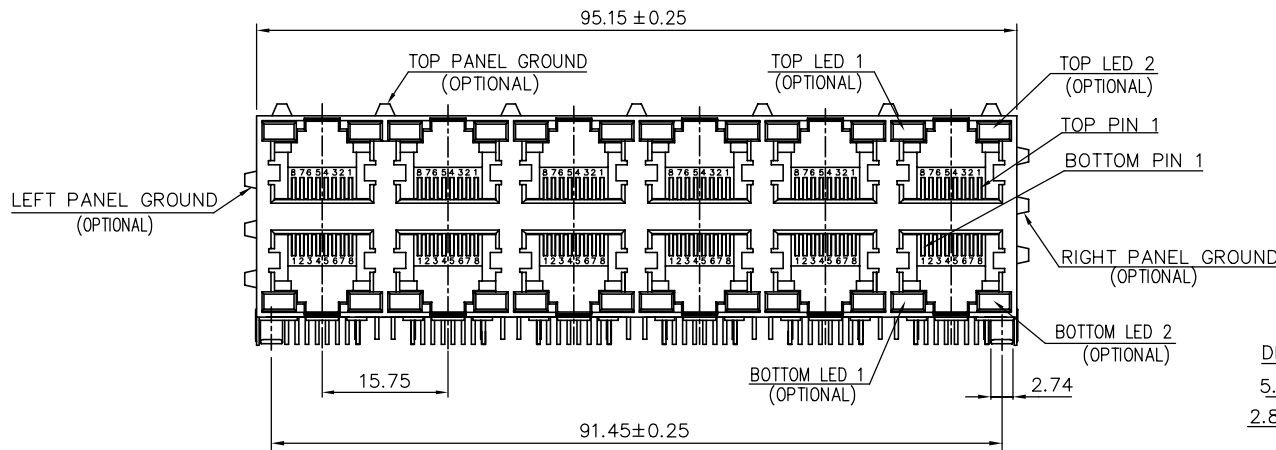
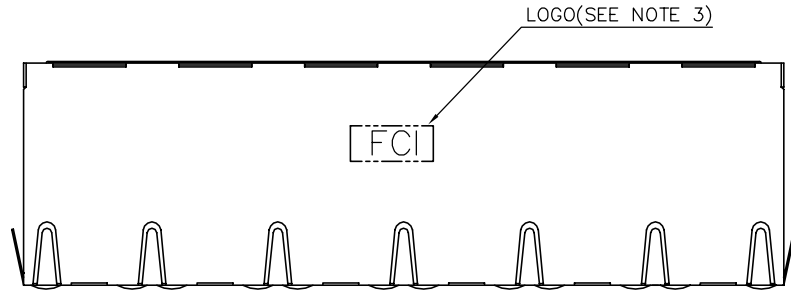
Contact us

Tel: +86-755-8981 8866 Fax: +86-755-8427 6832

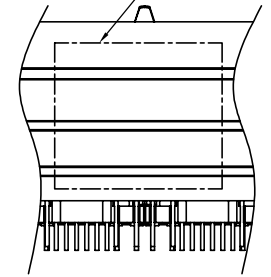
Email & Skype: info@chipsmall.com Web: www.chipsmall.com

Address: A1208, Overseas Decoration Building, #122 Zhenhua RD., Futian, Shenzhen, China

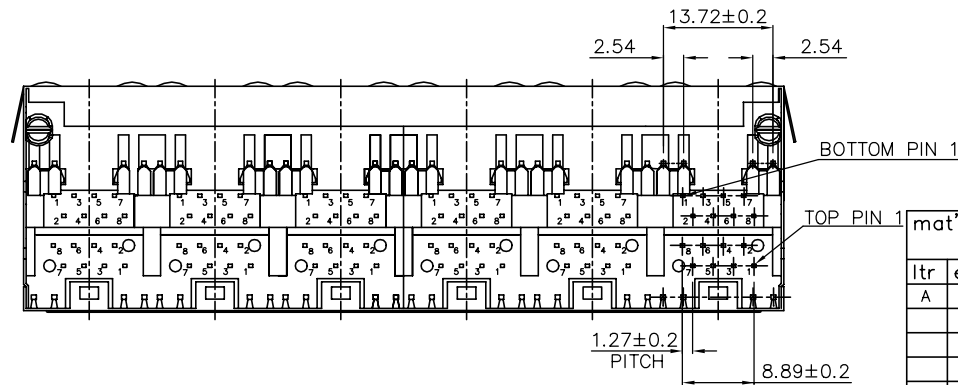




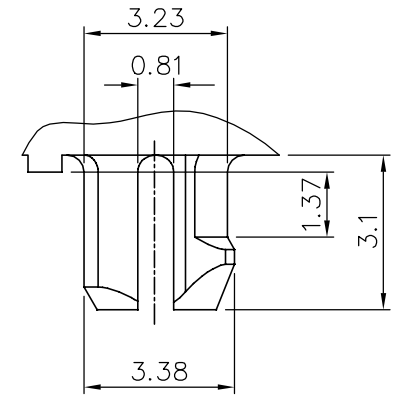
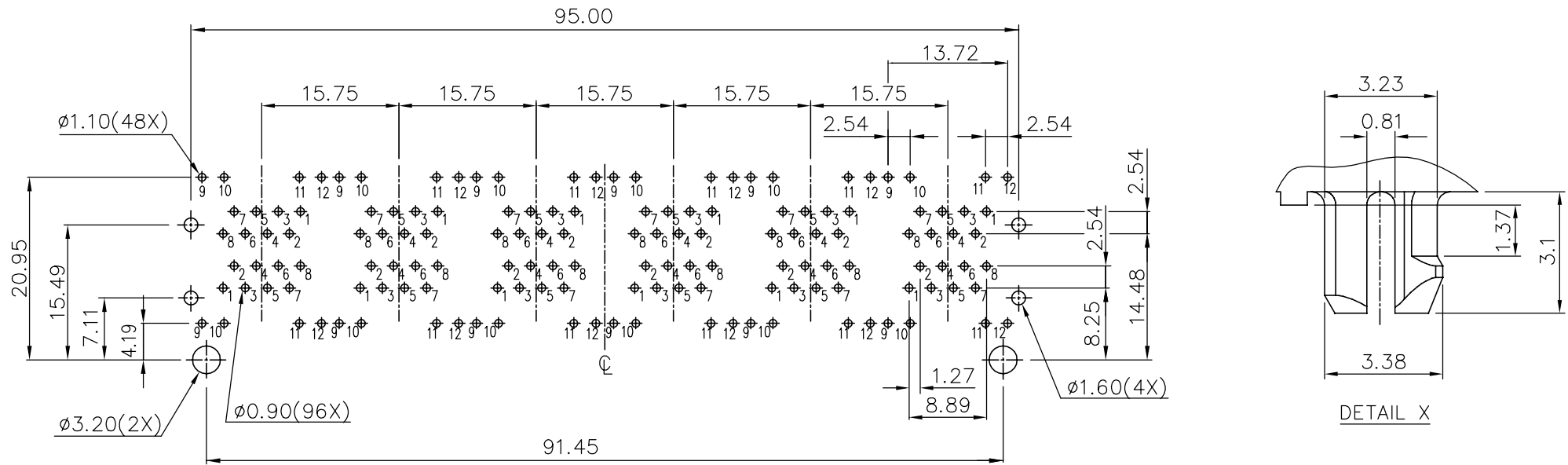
PRINT P/N & DATE CODE
(SEE NOTE 4)



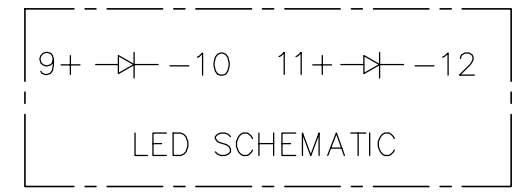
BACK VIEW



mat'l. code		surface ASME Y14.5	tolerance ASME Y14.5	projection	product family	
itr ecn no dr date		tolerances unless otherwise specified		MM [INCH]	GANGED MJACK	
A	WL	11/04/11			title	CAT 3 MULTIPOINT STACKED 2x6 WITH SHIELD, W/LED
		angles	X.X ± 0.25	scale	dwg no	
		X*1*	X.XX ± 0.13		sheet 1 of 3	
			X.XXX ± 0.05		size	
		dr	WENDY CHEN 05/11/11	FCI	10118078	
		enr	WENDY CHEN 05/11/11		A4	
		chr	WENDY CHEN 05/11/11		type	CUSTOMER Drawing
		appd	GARY HSIEH 05/11/11			
sheet index	revision sheet	A	A	A		
		1	2	3		



RECOMMENDED PCB LAYOUT
 RECOMMENDED PCB THICKNESS: 1.6mm
 TOLERANCE: ±0.05 (TOP VIEW)



mat'l. code		surface ASME Y14.5		tolerance ASME Y14.5		projection		product family GANGED MJACK	
ltr	ecn no	dr	date	tolerances unless otherwise specified		MM [INCH]		title CAT 3 MULTIPORT STACKED 2x6 WITH SHIELD, W/LED	
A				angles	X.X±0.25	scale		dwg no 10118078	
				X*±1*	X.XXX±0.05			sheet 2 of 3 size A4	
				dr	WENDY CHEN 05/11/11			type CUSTOMER Drawing	
				enr	WENDY CHEN 05/11/11				
				chr	WENDY CHEN 05/11/11				
				appd	GARY HSIEH 05/11/11				
sheet index	revision sheet								

NOTE:

1. MATERIAL:
TOP HOUSING: HIGH TEMPERATURE THERMOPLASTIC, UL94V-0, COLOR: BLACK.
BOTTOM HOUSING: HIGH TEMPERATURE THERMOPLASTIC, UL94V-0, COLOR: BLACK.
CONTACTS: COPPER ALLOY.
SHIELD: COPPER ALLOY.
LED SOLDER TAIL: STEEL.
2. FINISH:
CONTACTS: 50u" MIN. NICKEL UNDER PLATED OVER ALL.
SELECTIVE GOLD PLATED ON CONTACT AREA,
1u" GOLD PLATED ON SOLDER TAIL.
LED SOLDER TAIL: 100u" MIN. BRIGHT TIN OVER
50u" NICKEL UNDER PLATED.
SHIELD: 20u" MIN. NICKEL OVER ALL.
3. LASER MARK FCI LOGO ON THE TOP OF SHIELD.
4. "DATE CODE" DESCRIPTION:

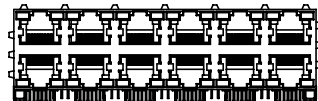
XX	XX	
		WEEK
		YEAR (EX. : 10--2010)
5. PRODUCT PERFORMANCE PER SPEC. : GS-12-0990.
6. PACKING SPEC. : GS-14-2170.
7. THIS PRODUCT MEETS THE EUROPEAN UNION DIRECTIVE AS DESCRIBED IN GS-22-008.
8. THE HOUSING WILL WITHSTAND EXPOSURE TO 260°C PEAK TEMPERATURE FOR 5 SECONDS IN A WAVE SOLDER APPLICATION WITH A CIRCUIT BOARD.

9. PART NUMBER DESCRIPTION:

- 10118078-X X X X X X X LF
- LF : LEAD FREE
 - 0 : RESERVED (NOT USED)
 - PACKAGING
1 : TRAY
 - OPTIONAL BACK SHIELD TAB
0 : WITHOUT BACK SHIELD TAB
 - OPTIONAL RIGHT / LEFT SHIELD TAB
B : SHIELD TAB WITHOUT INNER SHIELD
 - OPTIONAL PANEL GROUND
0 : WITHOUT PANEL GROUND
3 : TOP/RIGHT/LEFT 3 SIDES WITH PANEL GROUND
 - LED COLOR
1 : LED1: GREEN / LED2: YELLOW
2 : LED1: YELLOW / LED2: GREEN
3 : LED1: GREEN / LED2: GREEN
 - CONTACT AREA PLATING
1 : 15u" GOLD PLATING
2 : 30u" GOLD PLATING
5 : 1u" GOLD FLASH PLATING



10118078-XX0XXXXLF
(WITHOUT PANEL GROUND)



10118078-XX3XXXXLF
(3 SIDES PANEL GROUND)

mat'l. code		surface ASME Y14.5 ✓	tolerance ASME Y14.5	projection ⊕	product family GANGED MJACK
ltr	ecn no	dr	date	tolerances unless otherwise specified	title CAT 3 MULTIPOST STACKED 2x6 WITH SHIELD, W/LED
A				angles X.X±0.25 X.XX±0.13 X*±1*	
				scale MM [INCH]	dwg no 10118078 sheet 3 of 3 size A4
				dr WENDY CHEN 05/11/11 enr WENDY CHEN 05/11/11 chr WENDY CHEN 05/11/11 appd GARY HSIEH 05/11/11	
sheet index	revision sheet				type CUSTOMER Drawing