



Chipsmall Limited consists of a professional team with an average of over 10 year of expertise in the distribution of electronic components. Based in Hongkong, we have already established firm and mutual-benefit business relationships with customers from,Europe,America and south Asia,supplying obsolete and hard-to-find components to meet their specific needs.

With the principle of “Quality Parts,Customers Priority,Honest Operation,and Considerate Service”,our business mainly focus on the distribution of electronic components. Line cards we deal with include Microchip,ALPS,ROHM,Xilinx,Pulse,ON,Everlight and Freescale. Main products comprise IC,Modules,Potentiometer,IC Socket,Relay,Connector.Our parts cover such applications as commercial,industrial, and automotives areas.

We are looking forward to setting up business relationship with you and hope to provide you with the best service and solution. Let us make a better world for our industry!



## Contact us

Tel: +86-755-8981 8866 Fax: +86-755-8427 6832

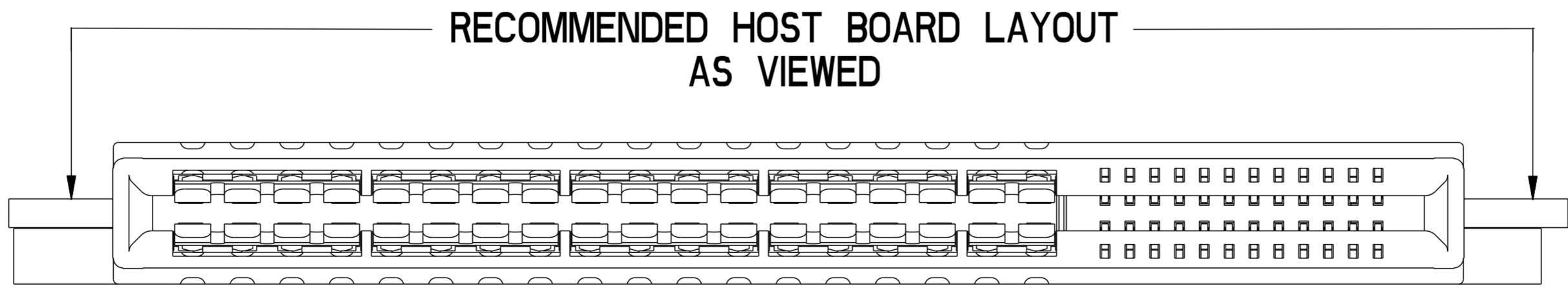
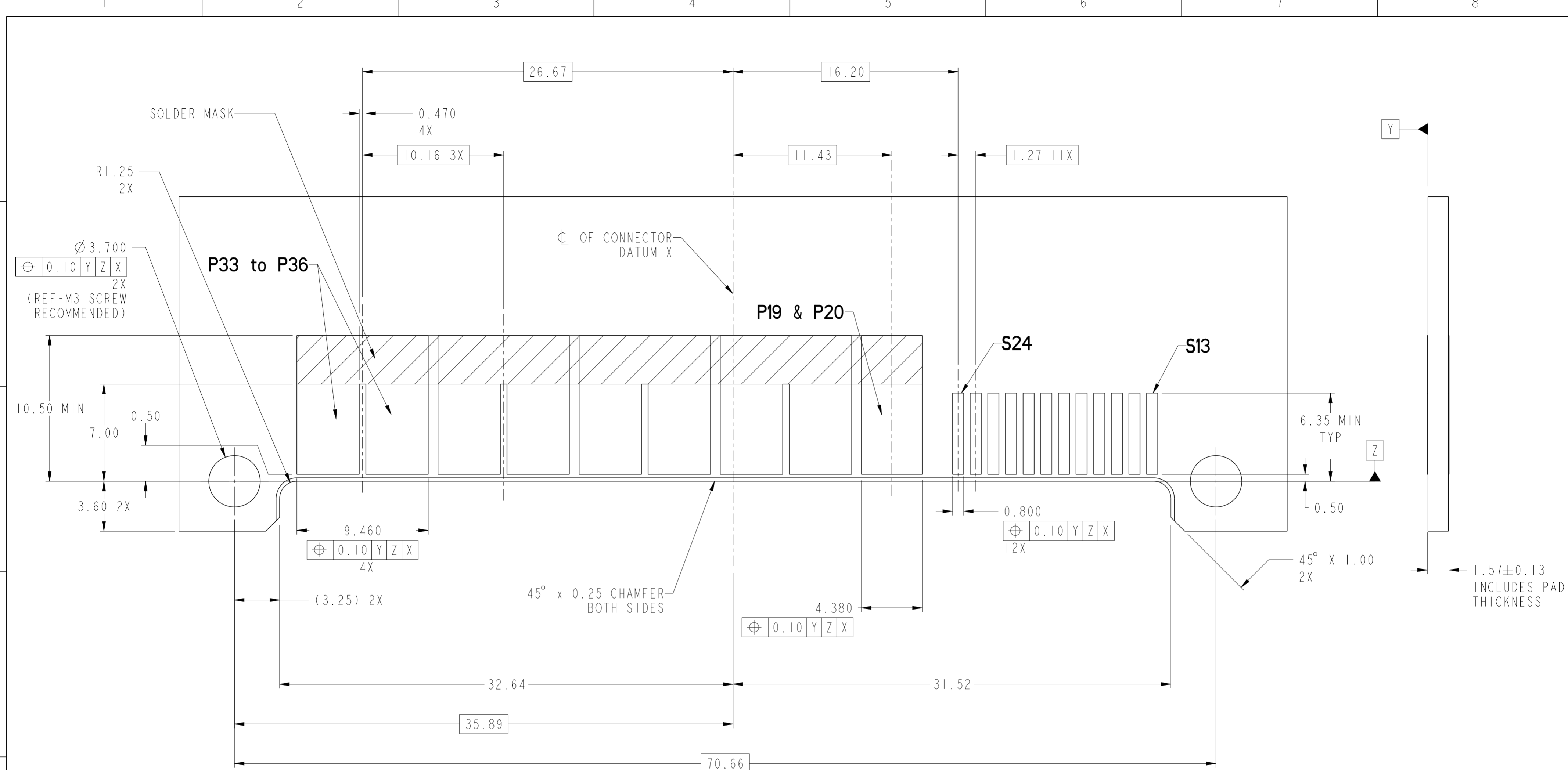
Email & Skype: info@chipsmall.com Web: www.chipsmall.com

Address: A1208, Overseas Decoration Building, #122 Zhenhua RD., Futian, Shenzhen, China



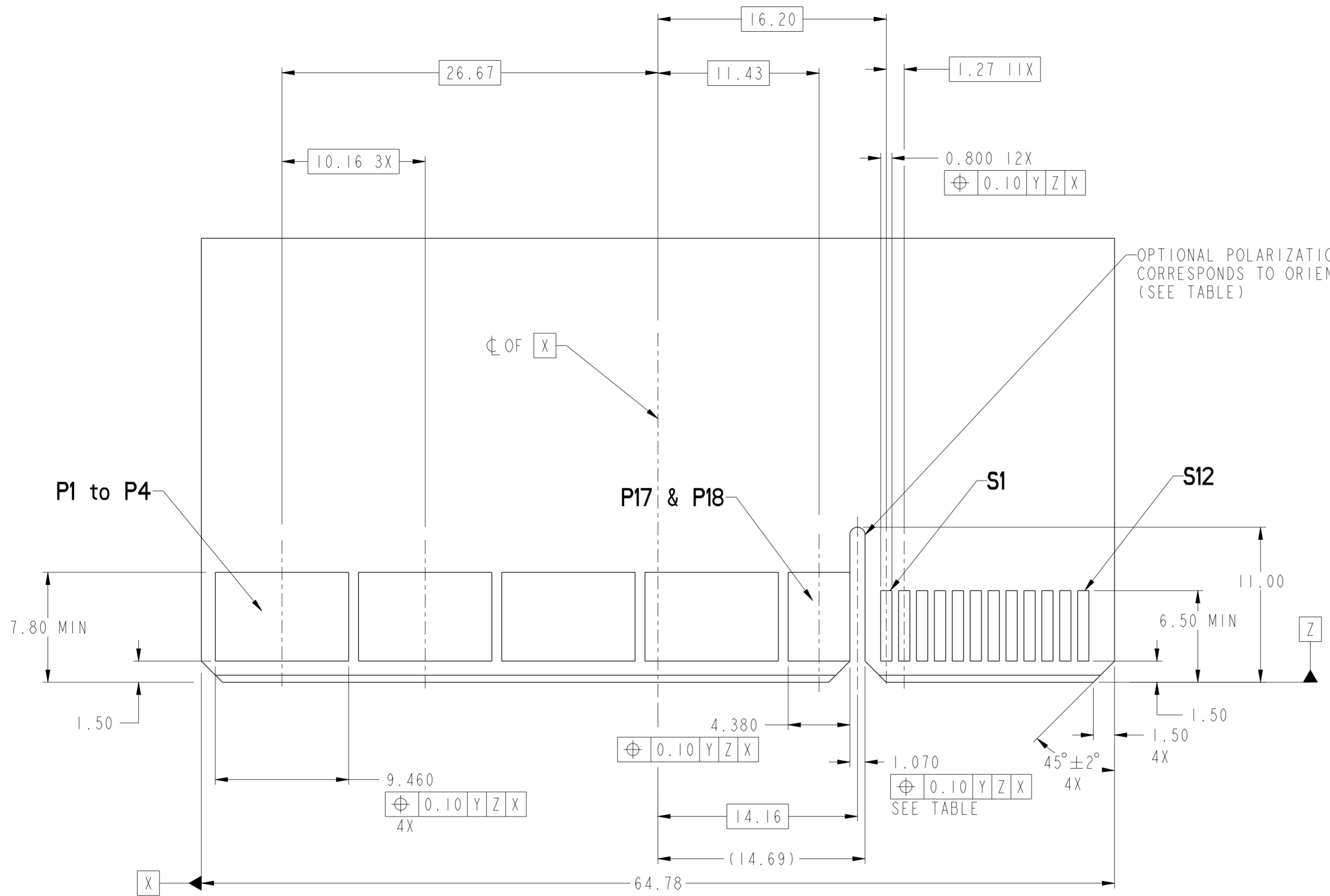




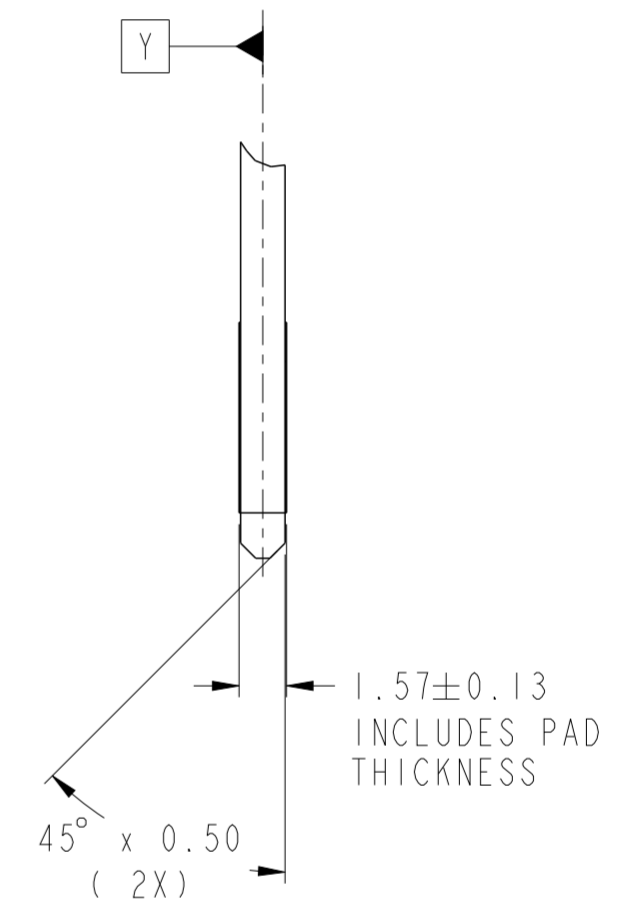


dr	Wei-Long Zhang	2011/05/04	projection	MM	size	A2	scale	4:1	
eng	Hai-Ling Liu	2016/01/31			ecn no	ELX-DG-23080-1			
chr	-	-			rel level	Released			
appr	Pai-Ming Zheng	2016/02/01	product family	CARD EDGE		rel level	Released		
			title	HPCE-STRADDLE MT (36P-24S)		dwg no	10118139		
www.fci.com			cat. no.	-		Product - Customer Drw	sheet 2 of 4	rev	C

Copyright FCI. FCI



OPTIONAL POLARIZATION SLOT  
CORRESPONDS TO ORIENTATION KEY OPTION  
(SEE TABLE)



### RECOMMENDED MATING BOARD FOOTPRINT

Copyright FCI.  
FCI

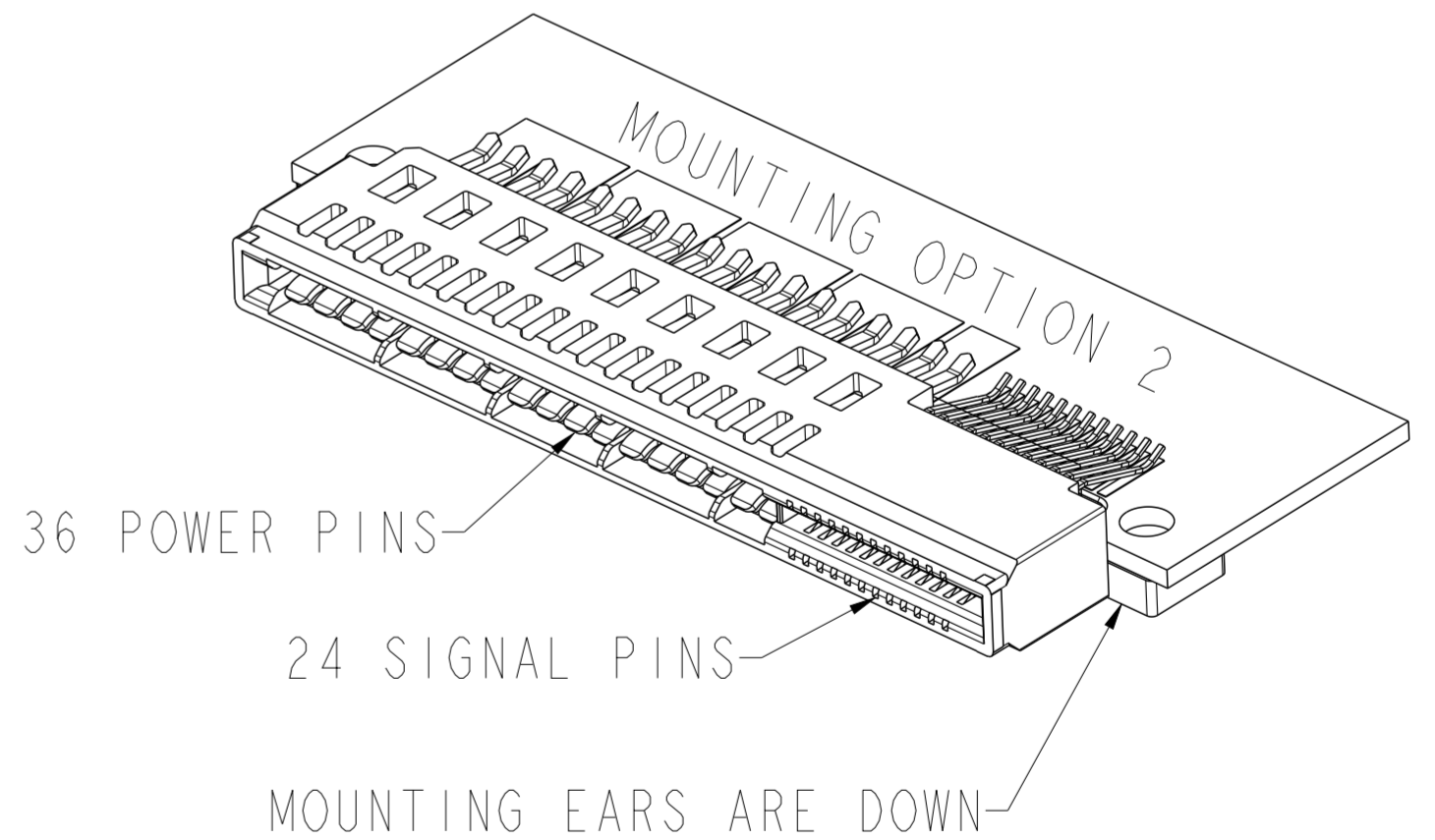
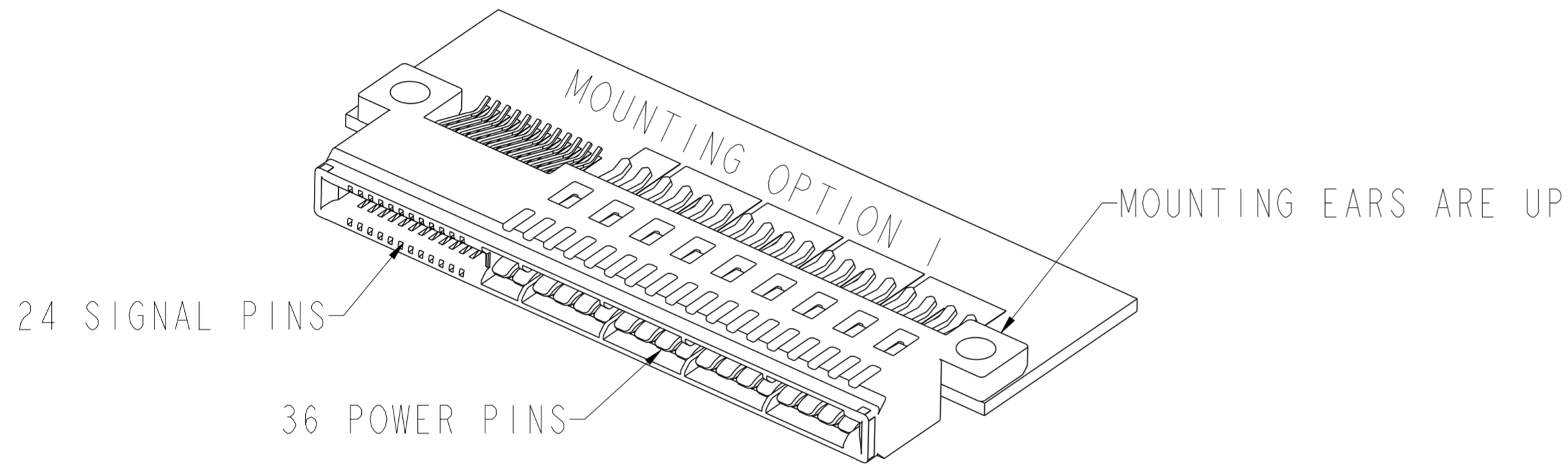
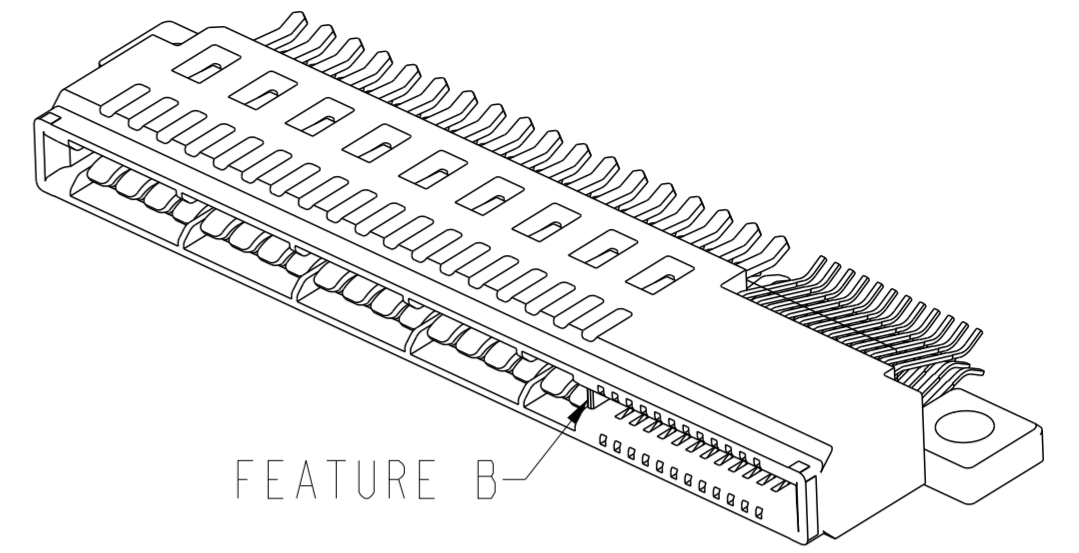
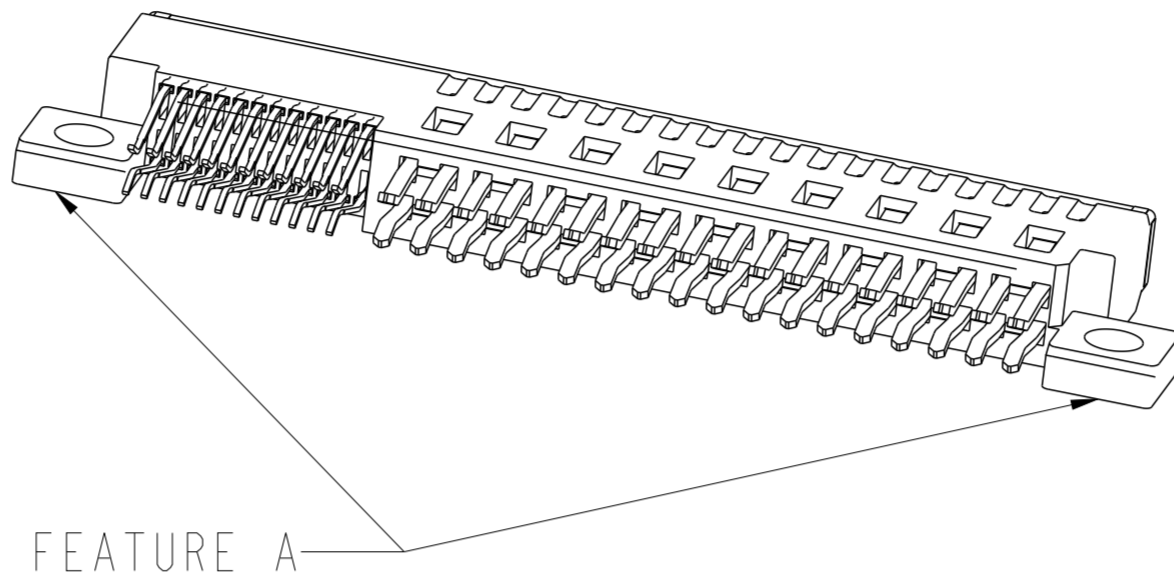
dr	Wei-Long Zhang	2011/05/04	projection	MM	size	A2	scale	4:1
eng	Hai-Ling Liu	2016/01/31			ecn no	ELX-DG-23080-1		
chr	-	-			rel level	Released		
appr	Pei-Ming Zheng	2016/02/01	product family	CARD EDGE		rel level	Released	
		title	HPCE-STRADDLE MT (36P-24S) (RECEPTACLE)		dwg no	10118139		rev
www.fci.com		cat. no.	-		Product - Customer Drw	sheet 3 of 4		C

PDS: Rev :C

STATUS:Released

Printed: Feb 01, 2016

PART NUMBER	FEATURE A MOUNTING EARS	FEATURE B FRONT POLARIZATION KEY
10118139-001LF	YES	NO
10118139-002LF	YES	YES
10118139-003LF	NO	NO
10118139-004LF	NO	YES



NOTES:

- CONNECTOR MATERIALS:  
HOUSING: HIGH TEMPERATURE THERMAL PLASTIC, BLACK  
UL 94V-0 COMPLIANT  
CONTACTS: HIGH PERFORMANCE COPPER ALLOY.
- CONTACT FINISH REF. GS-12-604 SECTION 5.2.
- PRODUCT SPECIFICATION: GS-12-604.
- APPLICATION SPECIFICATION: GS-20-128.
- PRODUCT MARKING (FCI - PART NUMBER & DATE CODE) ON HOUSING IN AREA SHOWN.
- PACKAGING MEETS FCI SPECIFICATION GS-14-937.
- HOUSING COMPONENT WILL WITHSTAND EXPOSURE TO 260°C PEAK TEMPERATURE FOR 60 SECONDS IN A CONVECTION, INFRA-RED, OR VAPOR PHASE REFLOW OVEN.

dr	Wei-Long Zhang	2011/05/04	projection	MM	size	A2	scale	4:1	
eng	Hai-Ling Liu	2016/01/31			ecn no	ELX-DG-23080-1			
chr	-	-			rel level	Released			
appr	Pei-Ming Zheng	2016/02/01	product family	CARD EDGE	rel level	Released			
		title	HPCE-STRADDLE MT (36P-24S) (RECEPTACLE)		dwg no	10118139		rev	C
www.fci.com		cat. no.	-		Product - Customer Drw	sheet 4 of 4			