



Chipsmall Limited consists of a professional team with an average of over 10 year of expertise in the distribution of electronic components. Based in Hongkong, we have already established firm and mutual-benefit business relationships with customers from,Europe,America and south Asia,supplying obsolete and hard-to-find components to meet their specific needs.

With the principle of “Quality Parts,Customers Priority,Honest Operation,and Considerate Service”,our business mainly focus on the distribution of electronic components. Line cards we deal with include Microchip,ALPS,ROHM,Xilinx,Pulse,ON,Everlight and Freescale. Main products comprise IC,Modules,Potentiometer,IC Socket,Relay,Connector.Our parts cover such applications as commercial,industrial, and automotives areas.

We are looking forward to setting up business relationship with you and hope to provide you with the best service and solution. Let us make a better world for our industry!



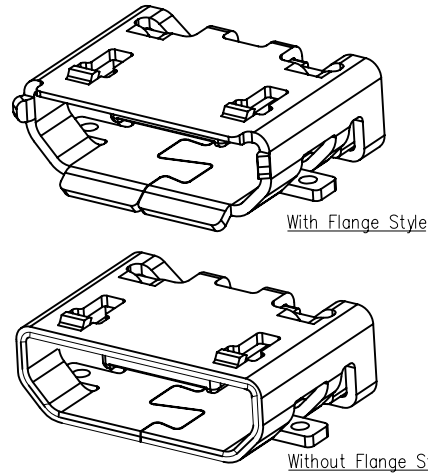
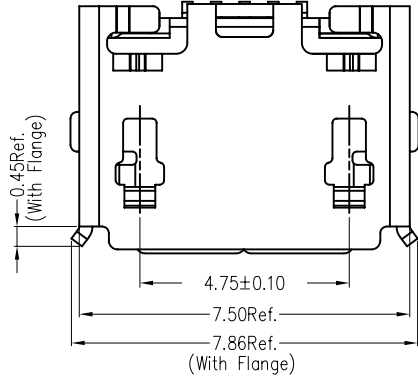
Contact us

Tel: +86-755-8981 8866 Fax: +86-755-8427 6832

Email & Skype: info@chipsmall.com Web: www.chipsmall.com

Address: A1208, Overseas Decoration Building, #122 Zhenhua RD., Futian, Shenzhen, China

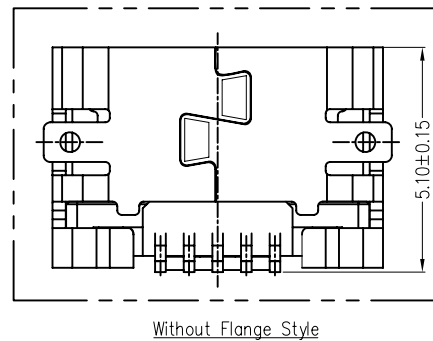
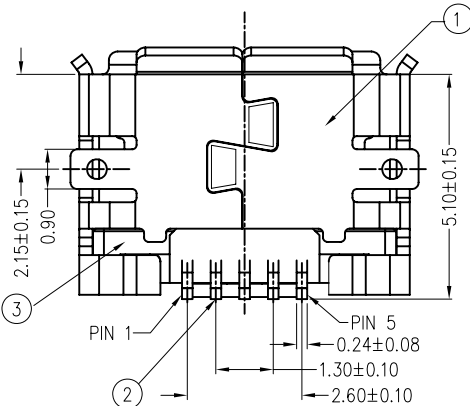
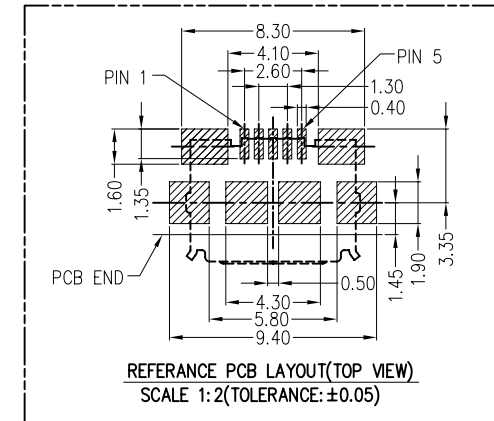
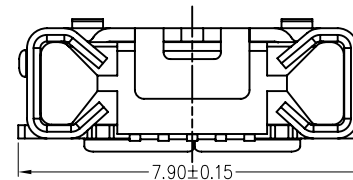
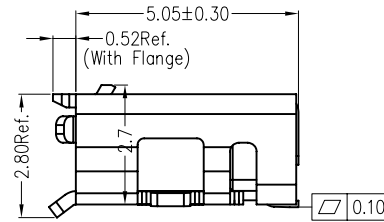
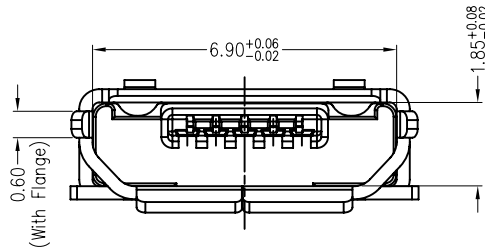




NOTES:

1. MATERIAL:
HOUSING: HIGH THERMOPLASTIC RESIN, UL94V-0, COLOR: BLACK
TERMINAL: COPPER ALLOY
SHELL: STAINLESS
2. FINISH:
CONTACT AREA: GOLD PLATED
CONTACT SOLDER AREA: GOLD FLASH
SHELL: MATTE TIN PLATED
UNDER NICKEL PLATED ALL OVER.
3. PRODUCT SPECIFICATION: GS-12-641.
4. PACKAGING SPECIFICATION: GS-14-2180.
5. THE "LF" MEANS FOR LEAD FREE AND CAN WITHSTAND EXPOSE TO 260°C PEAK TEMPERATURE FOR 10 SECONDS IN IR REFLOW PROCESS.
6. PART NUMBER: 10118192-000 X LF

- 1- WHIT FLANGE
- 2- WITHOUT FLANGE



Item	Title	Q'TY
1	Shell	1
2	Terminal	5
3	InsertMolding	1

mat'l. code		surface ASME Y14.5 ✓		tolerance ASME Y14.5		projection MM		product family USB	
ltr		ecn no		dr		date		title	
A		LS		10/21/11		10/21/11		MICRO USB B TYPE RECEPTACLE	
B		ELX-N-20835		Nick		5/07/15		scale	
				angles		.X±0.38		dwg no	
				X*±2°		.XX±0.25		sheet 1 of 1	
				dr		.XXX±0.10		size	
				JASON HSU		05/21/11		A4	
				enr		05/21/11		10118192	
				chr		05/21/11		type	
				appd		GARY HSIEH		CUSTOMER Drawing	
sheet index		revision sheet		B		1			