



Chipsmall Limited consists of a professional team with an average of over 10 year of expertise in the distribution of electronic components. Based in Hongkong, we have already established firm and mutual-benefit business relationships with customers from,Europe,America and south Asia,supplying obsolete and hard-to-find components to meet their specific needs.

With the principle of “Quality Parts,Customers Priority,Honest Operation,and Considerate Service”,our business mainly focus on the distribution of electronic components. Line cards we deal with include Microchip,ALPS,ROHM,Xilinx,Pulse,ON,Everlight and Freescale. Main products comprise IC,Modules,Potentiometer,IC Socket,Relay,Connector.Our parts cover such applications as commercial,industrial, and automotives areas.

We are looking forward to setting up business relationship with you and hope to provide you with the best service and solution. Let us make a better world for our industry!



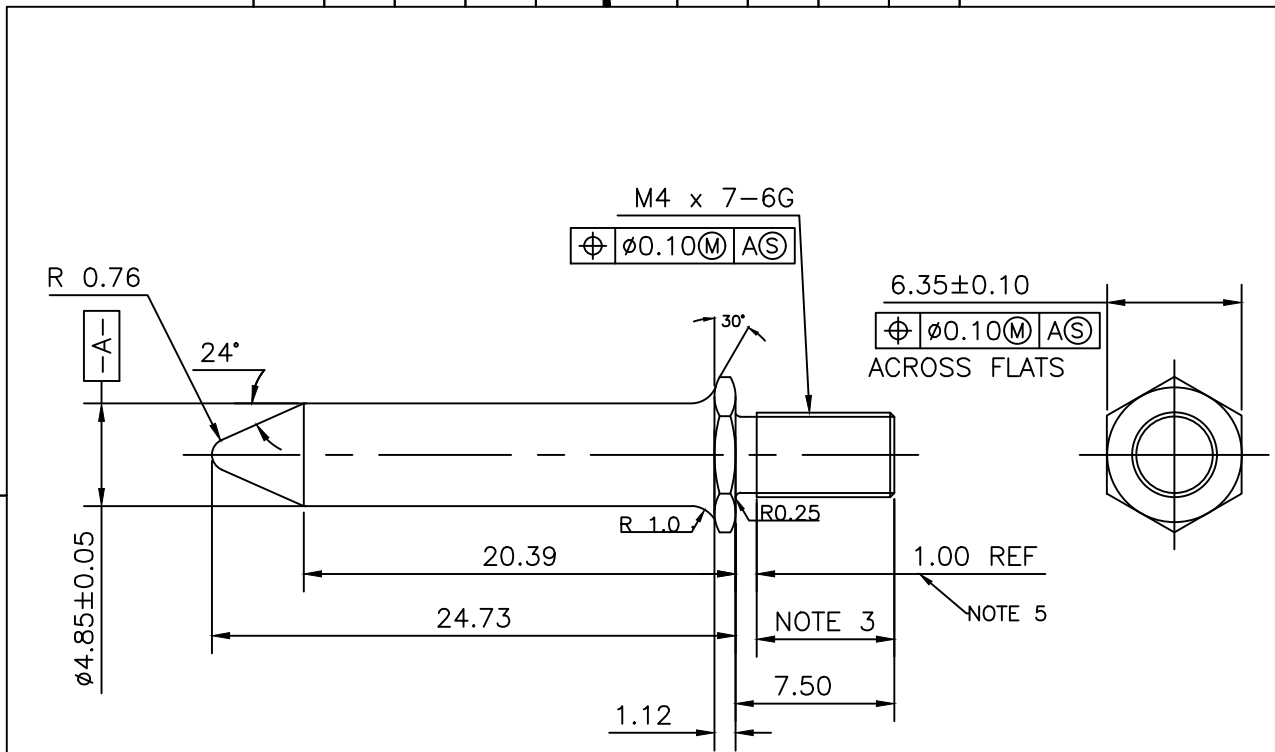
## Contact us

Tel: +86-755-8981 8866 Fax: +86-755-8427 6832

Email & Skype: info@chipsmall.com Web: www.chipsmall.com

Address: A1208, Overseas Decoration Building, #122 Zhenhua RD., Futian, Shenzhen, China





**NOTES**

- 1 MATERIAL : STAINLESS STEEL
- 2 FINISH : PASSIVATE
- 3 LOCTITE DRI-LOC 204 APPLIED IN THIS AREA (Min 4.0 mm from tip)
- 4 RECOMMENDED P.C. BOARD DRILLED HOLE DIAMETER  
4.10±0.08 mm ,IF APPLYING A NUT FROM THE REAR OF THE BOARD  
6.4 ±0.08 mm ,IF USING WITH PEM NUT P/N KFS2-M4
- 5 AREA WITH NO THREAD AND HAVING DIAMETER MINOR DIAMETER OF THE THREAD

**PART NO. : 10118196-001PLF**

mat'l. code		REF. NOTES		✓		projection		product family	
A		111-0111		GT		2012-01-31		MISC	
B		ELX-I-012819		AKA		2012-09-12		title	
				angles		linear		GUIDE PIN	
				±1°		.00±0.2		(UNIVERSAL POWER MODULE)	
				dr		ARJUN K A		2012-09-12	
				enr		ARJUN K A		2012-09-12	
				chr		ALEX BABU		2012-09-12	
				appd		BIJU K PAUL		2012-09-12	
sheet index		revision sheet		B		1		dwg no	
								10118196	
								sheet 1 of 1	
								size	
								A4	
								type	
								Product Customer Drawing	

form: A4