



Chipsmall Limited consists of a professional team with an average of over 10 year of expertise in the distribution of electronic components. Based in Hongkong, we have already established firm and mutual-benefit business relationships with customers from,Europe,America and south Asia,supplying obsolete and hard-to-find components to meet their specific needs.

With the principle of "Quality Parts,Customers Priority,Honest Operation,and Considerate Service",our business mainly focus on the distribution of electronic components. Line cards we deal with include Microchip,ALPS,ROHM,Xilinx,Pulse,ON,Everlight and Freescale. Main products comprise IC,Modules,Potentiometer,IC Socket,Relay,Connector.Our parts cover such applications as commercial,industrial, and automotives areas.

We are looking forward to setting up business relationship with you and hope to provide you with the best service and solution. Let us make a better world for our industry!



Contact us

Tel: +86-755-8981 8866 Fax: +86-755-8427 6832

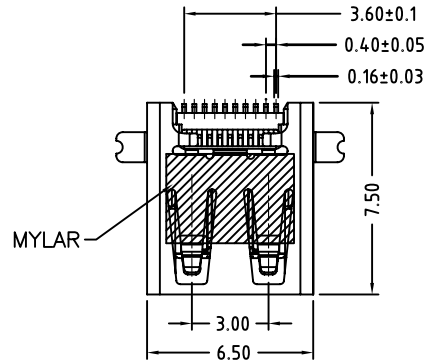
Email & Skype: info@chipsmall.com Web: www.chipsmall.com

Address: A1208, Overseas Decoration Building, #122 Zhenhua RD., Futian, Shenzhen, China



PART NUMBER

10118241-001RLF

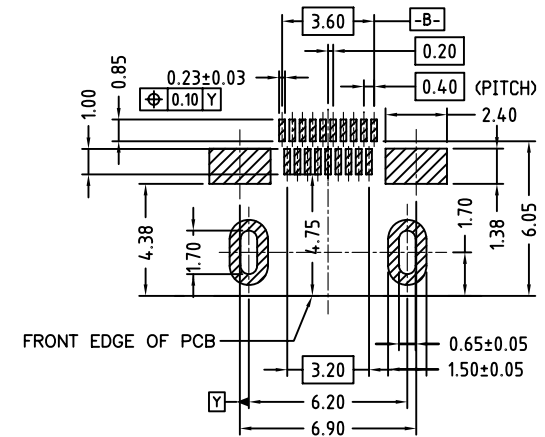
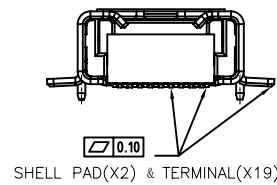
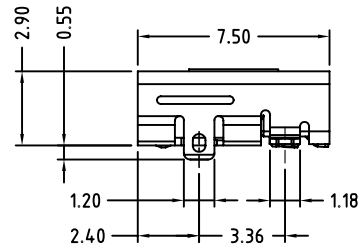
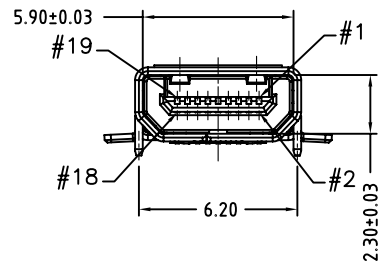


PART NO. DESCRIPTION:

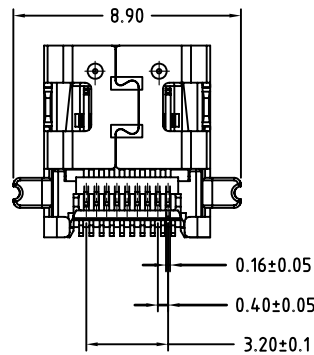
- 10118241-00XXLF
 - RoHS COMPATIBLE
 - PACKING TYPE R:TAPE & REEL
 - CONTACT AREA PLATING 1:Au 15u"

NOTES:

1. MATERIAL:
HOUSING: LCP+30%GF ,UL94 V-0,BLACK
TERMINAL: COPPER ALLOY.
SHELL: STAINLESS STEEL
2. FINISH:
CONTACT AREA: GOLD PLATED
CONTACT SOLDER AREA: GOLD FLASH PLATED
SHELL: TIN PLATED
UNDER NICKEL PLATED OVER ALL.
3. PRODUCT SPECIFICATION: GS-12-0983.
4. PACKAGING SPECIFICATION: GS-14-2164.
5. THE PRODUCT MEETS EUROPEAN UNION DIRECTIVES AND OTHER COUNTRY REGULATIONS AS DESCRIBED IN GS-22-008.
6. THE CONNECTOR CAN WITHSTAND EXPOSURE TO 260 DEGREE C PEAK TEMPERATURE FOR 10 SECONDS IN IR REFLOW OVEN.



RECOMMENDED PCB LAYOUT (.XX±0.05)
CONNECTOR SIDE (TOP VIEW)



mat'l. code		surface ASME Y14.5		tolerance ASME Y14.5		projection		product family HDMI	
ltr		ecn no		dr		date		tolerances unless otherwise specified	
A		LS		09/13/11		angles		title	
B		ELX-N-16493		Henry		06/24/14		HDMI TYPE D RECEPTACLE	
						linear		MM	
						X°±1°		scale	
						.X±0.25		FCI	
						.XX±0.20		dwg no	
						.XXX±0.10		sheet 1 of 1	
				dr		LEIF SHEN 09/13/11		size	
				enrg		LEIF SHEN 09/13/11		10118241	
				chr		GARY HSIEH 09/13/11		A4	
				appd		GARY HSIEH 09/13/11		type	
								CUSTOMER Drawing	
sheet index		revision sheet		B		1			