



Chipsmall Limited consists of a professional team with an average of over 10 year of expertise in the distribution of electronic components. Based in Hongkong, we have already established firm and mutual-benefit business relationships with customers from,Europe,America and south Asia,supplying obsolete and hard-to-find components to meet their specific needs.

With the principle of “Quality Parts,Customers Priority,Honest Operation,and Considerate Service”,our business mainly focus on the distribution of electronic components. Line cards we deal with include Microchip,ALPS,ROHM,Xilinx,Pulse,ON,Everlight and Freescale. Main products comprise IC,Modules,Potentiometer,IC Socket,Relay,Connector.Our parts cover such applications as commercial,industrial, and automotives areas.

We are looking forward to setting up business relationship with you and hope to provide you with the best service and solution. Let us make a better world for our industry!



## Contact us

Tel: +86-755-8981 8866 Fax: +86-755-8427 6832

Email & Skype: info@chipsmall.com Web: www.chipsmall.com

Address: A1208, Overseas Decoration Building, #122 Zhenhua RD., Futian, Shenzhen, China



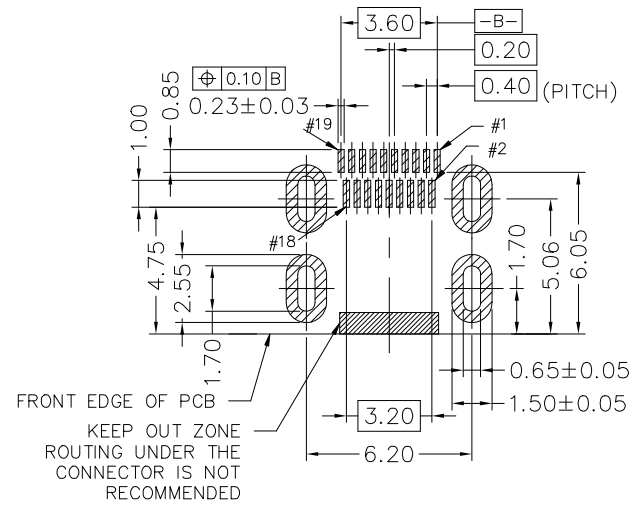
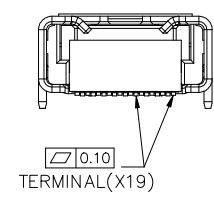
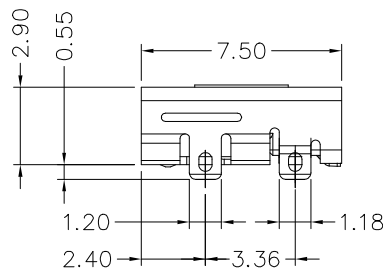
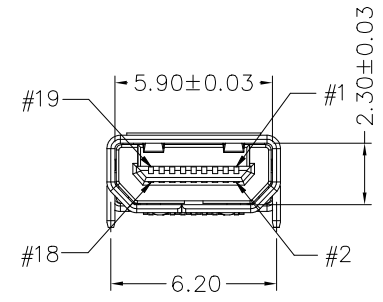
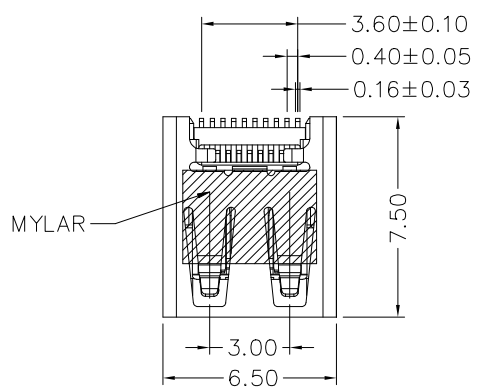
PART NUMBER  
10118242-0X1RLF

PART NO. DESCRIPTION:  
10118242-XXXXLF

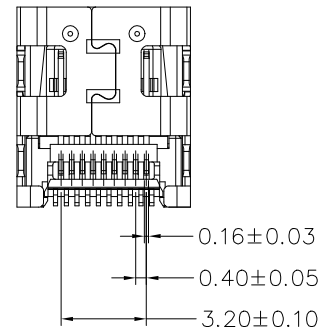
- LEAD FREE
- PACKING TYPE  
R: TAPE & REEL
- CONTACT AREA PLATING  
1: Au 15u"  
2: Au 30u"
- COLOR OPTION  
0: BLACK  
1: NATURAL
- MYLAR OPTION  
0: WITH MYLAR  
1: WITHOUT MYLAR

NOTES:

1. MATERIAL:  
HOUSING: LCP+30%GF ,UL94 V-0,BLACK OR NATURAL  
TERMINAL: COPPER ALLOY.  
SHELL: STAINLESS STEEL
2. FINISH:  
CONTACT AREA: GOLD PLATED  
SOLDER AREA: GOLD FLASH PLATED  
SHELL: TIN PLATED  
NICKEL PLATED UNDER OVER ALL
3. PRODUCT SPECIFICATION: GS-12-0983.
4. PACKAGING SPECIFICATION: GS-14-2164.
5. THE PRODUCT MEETS EUROPEAN UNION DIRECTIVES AND OTHER COUNTRY REGULATIONS AS DESCRIBED IN GS-22-008,
- 6 THE CONNECTOR CAN WITHSTAND EXPOSURE TO 260 DEGREE PEAK TEMPERATURE FOR 10 SECONDS IN IR REFLOW OVEN.



RECOMMENDED PCB LAYOUT (.XX±0.05)  
CONNECTOR SIDE (TOP VIEW)



Amphenol FCI  
© 2016 AFCI

mat'l. code HPL528		surface ISO 1302 ✓		tolerance ASME Y14.5		projection MM		product family HDMI	
ltr	ecn	no	dr	date	tolerances unless otherwise specified		title		
A		LS		09/13/11	angles	.X±0.25	HDMI TYPE D RECEPTACLE		
B	ELX-N-012816	ZK		09/07/12	linear	.XX±0.20	MM		
C	ELX-N-16428	HENRY		12/04/13	±1'	.XXX±	scale 1:1		
D	ELX-N-24781	TONY	08/23/16	dr	LEIF_SHEN	09/13/11	dwg no		sheet 1 of 1
E	ELX-N-25475	TONY	11/25/16	eng	LEIF_SHEN	09/13/11	10118242		size A3
F	ELX-N-25898	TONY	01/12/17	chr	GARY_HSIEH	09/13/11	type		CUSTOMER Drawing
G	ELX-N-28731	TONY	12/08/17	app	GARY_HSIEH	09/13/11			
sheet	revision		G						
index	sheet		1						