



Chipsmall Limited consists of a professional team with an average of over 10 year of expertise in the distribution of electronic components. Based in Hongkong, we have already established firm and mutual-benefit business relationships with customers from,Europe,America and south Asia,supplying obsolete and hard-to-find components to meet their specific needs.

With the principle of “Quality Parts,Customers Priority,Honest Operation,and Considerate Service”,our business mainly focus on the distribution of electronic components. Line cards we deal with include Microchip,ALPS,ROHM,Xilinx,Pulse,ON,Everlight and Freescale. Main products comprise IC,Modules,Potentiometer,IC Socket,Relay,Connector.Our parts cover such applications as commercial,industrial, and automotives areas.

We are looking forward to setting up business relationship with you and hope to provide you with the best service and solution. Let us make a better world for our industry!



Contact us

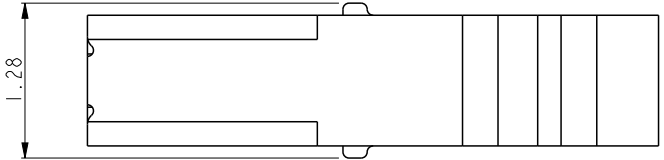
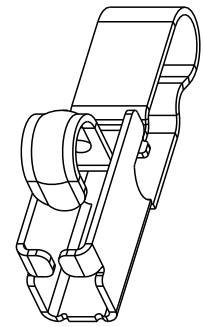
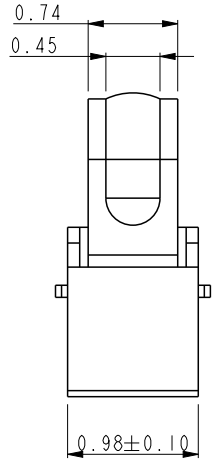
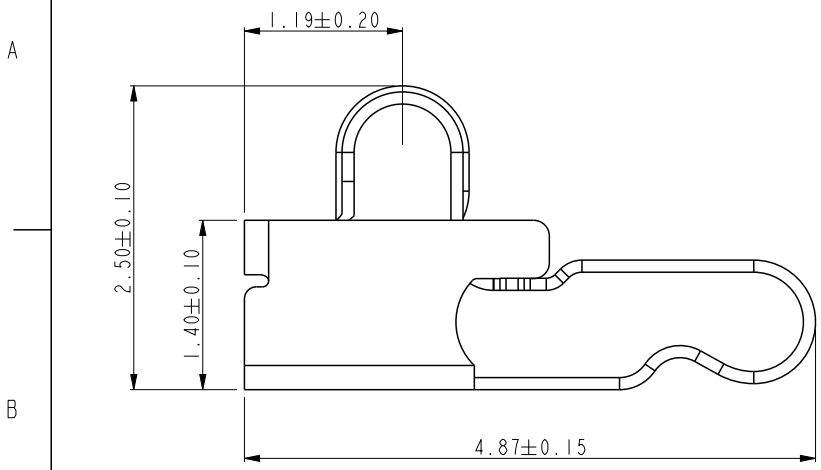
Tel: +86-755-8981 8866 Fax: +86-755-8427 6832

Email & Skype: info@chipsmall.com Web: www.chipsmall.com

Address: A1208, Overseas Decoration Building, #122 Zhenhua RD., Futian, Shenzhen, China



	DESCRIPTION
FCI	10118530-001RLF
	10118530-003RLF
	10118530-009RLF



NOTES:
 1.MATERIAL:COPPER ALLOY.
 2.CONTACT PLATING:
 CONTACT AREA:PLATING Au or GXT over Ni UNDERPLATE.
 (GXT = Gold flash + PdNi)
 SOLDER AREA :PLATING Gold flash over Ni UNDERPLATE.
 3.PACKAGING: TAPE & REEL
 4.PART NUMBER DESCRIPTION:
 10118530-0 0 X X X

LF:LEAD FREE
 R :TAPE & REEL
 CONTACT PLATING
 1 :lum Au over Ni.
 3 :gold flash over Ni.
 9 :lum GXT over Ni.

rev	ecn no	dr	date
A	INITIAL RELEASE	AL	2012-08-23
-	-	-	-
-	-	-	-
-	-	-	-
-	-	-	-



Copyright FCI.

spec ref *		dr	Andy Lu	2012/08/23	projection 	mm 	size	A4	scale	16.000
tolerance std	TOLERANCES UNLESS OTHERWISE SPECIFIED	eng	Andy Lu	2012/08/23			ecn no	-		
ASME Y14.5		chr	-	-			rel level	Released		
surface	linear	appr	Pei-Ming Zheng	2012/08/24	product family	-				
ASME Y14.5		angular	0°	±2°	title	ANTENNA CONNECTOR UNIVERSAL CONTACT		dwg no	10118530	rev
		www.fci.com	cat. no.	10076429	Product - Customer Drw			sheet 1 of 1		

ProjE File - REV C - 2009-06-09