



Chipsmall Limited consists of a professional team with an average of over 10 year of expertise in the distribution of electronic components. Based in Hongkong, we have already established firm and mutual-benefit business relationships with customers from,Europe,America and south Asia,supplying obsolete and hard-to-find components to meet their specific needs.

With the principle of “Quality Parts,Customers Priority,Honest Operation,and Considerate Service”,our business mainly focus on the distribution of electronic components. Line cards we deal with include Microchip,ALPS,ROHM,Xilinx,Pulse,ON,Everlight and Freescale. Main products comprise IC,Modules,Potentiometer,IC Socket,Relay,Connector.Our parts cover such applications as commercial,industrial, and automotives areas.

We are looking forward to setting up business relationship with you and hope to provide you with the best service and solution. Let us make a better world for our industry!



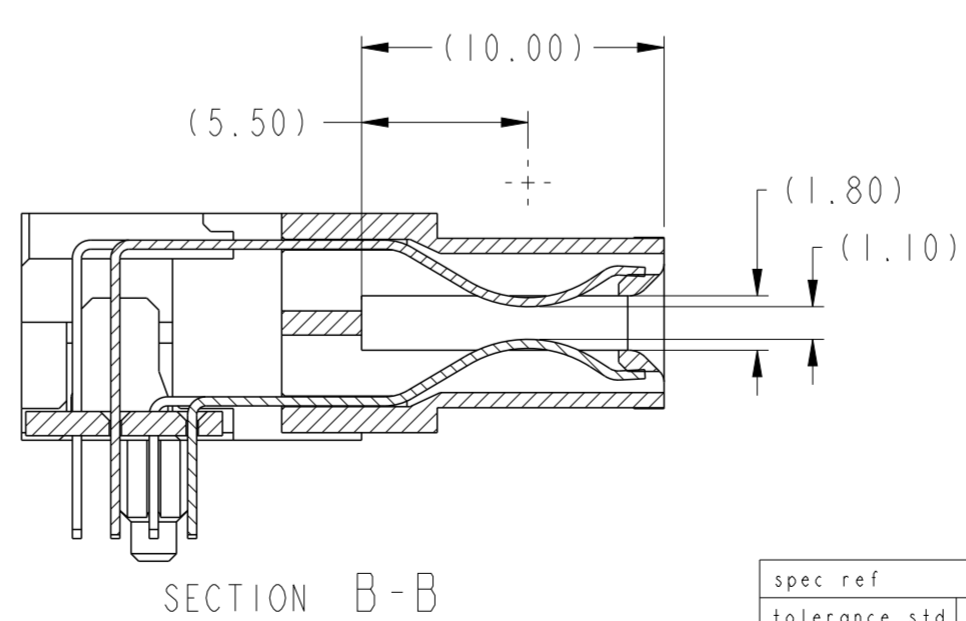
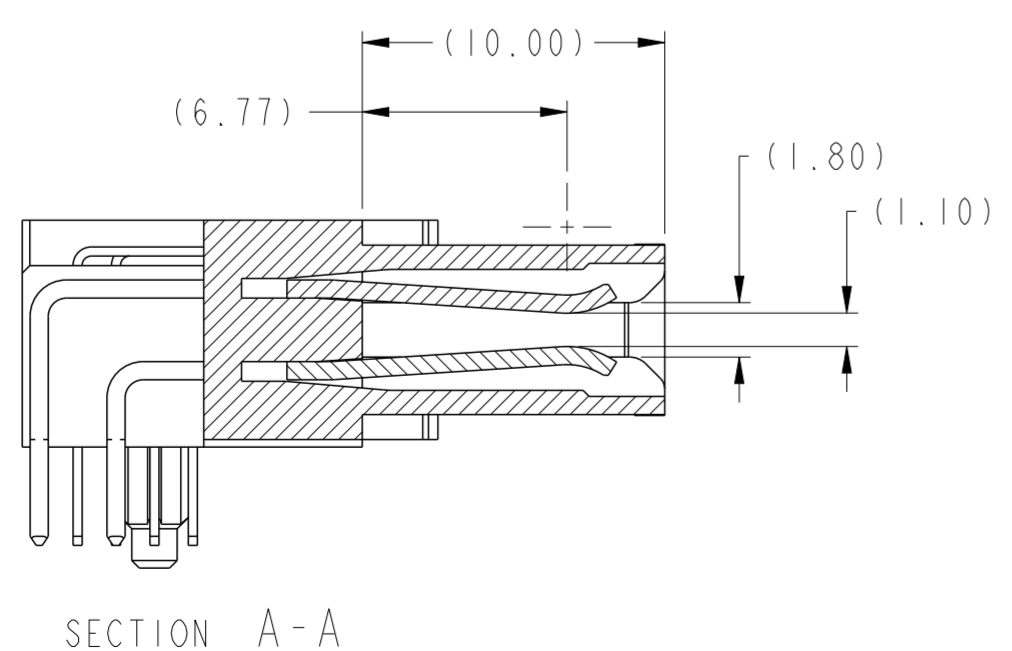
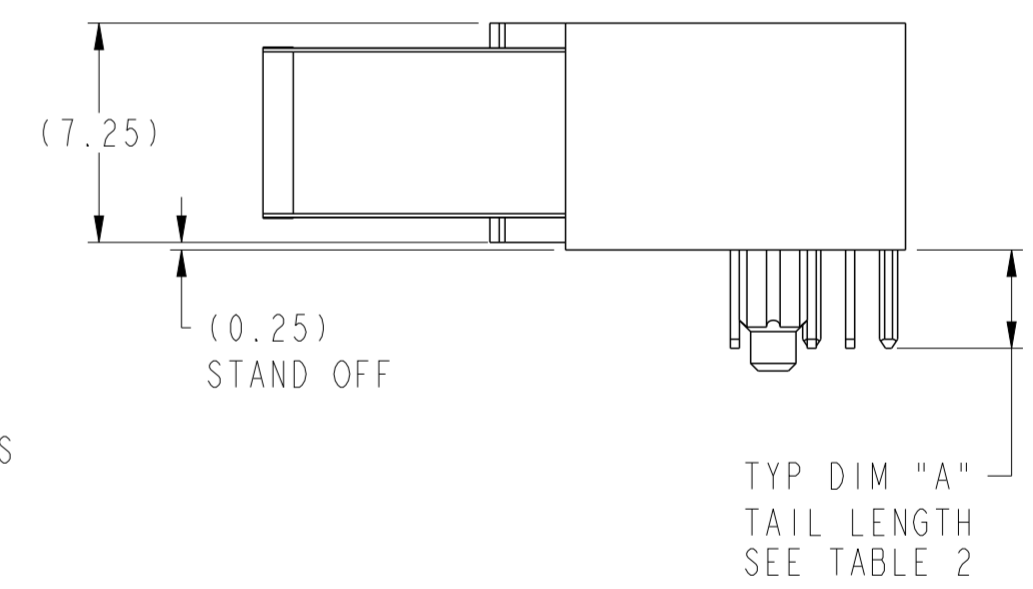
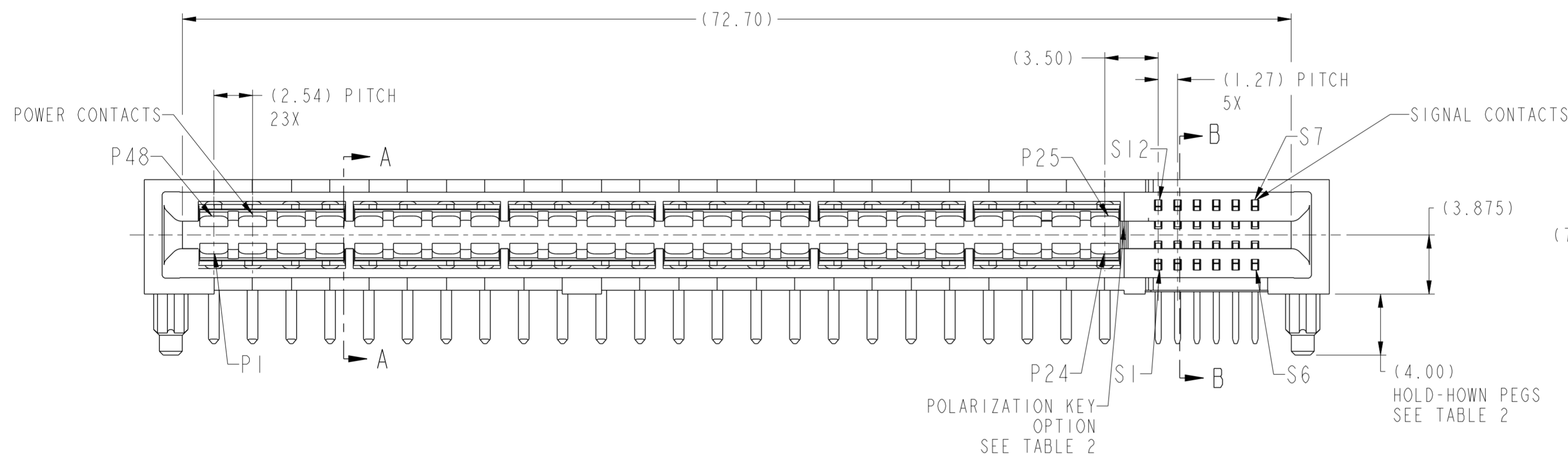
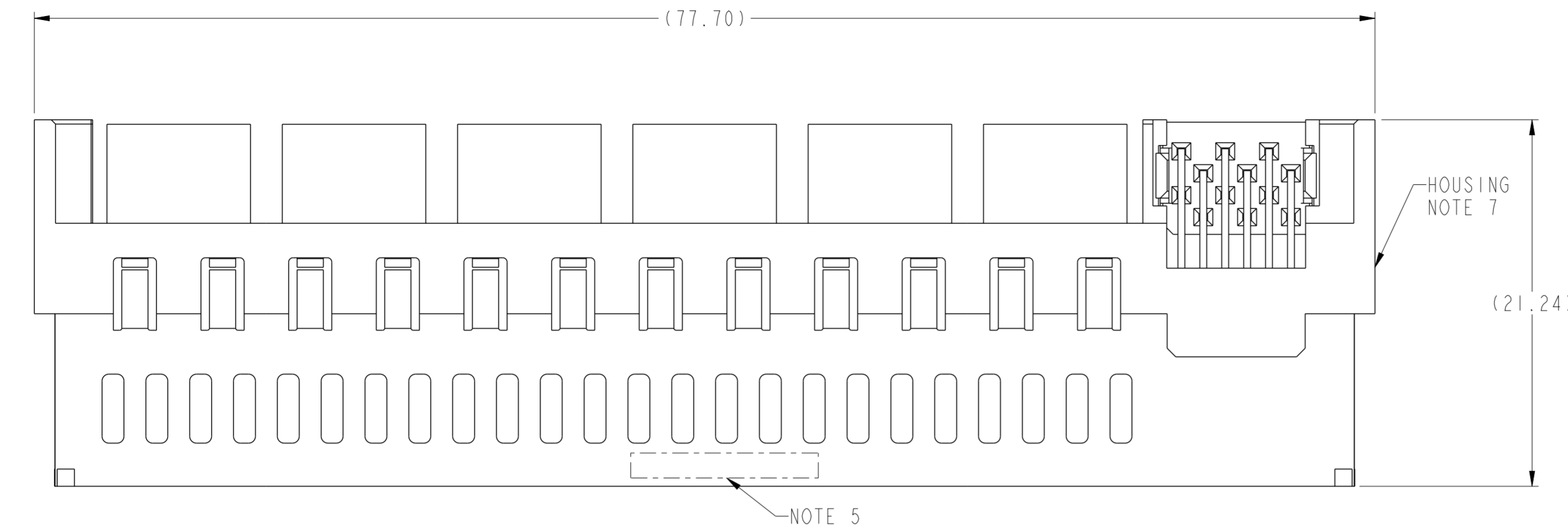
Contact us

Tel: +86-755-8981 8866 Fax: +86-755-8427 6832

Email & Skype: info@chipsmall.com Web: www.chipsmall.com

Address: A1208, Overseas Decoration Building, #122 Zhenhua RD., Futian, Shenzhen, China

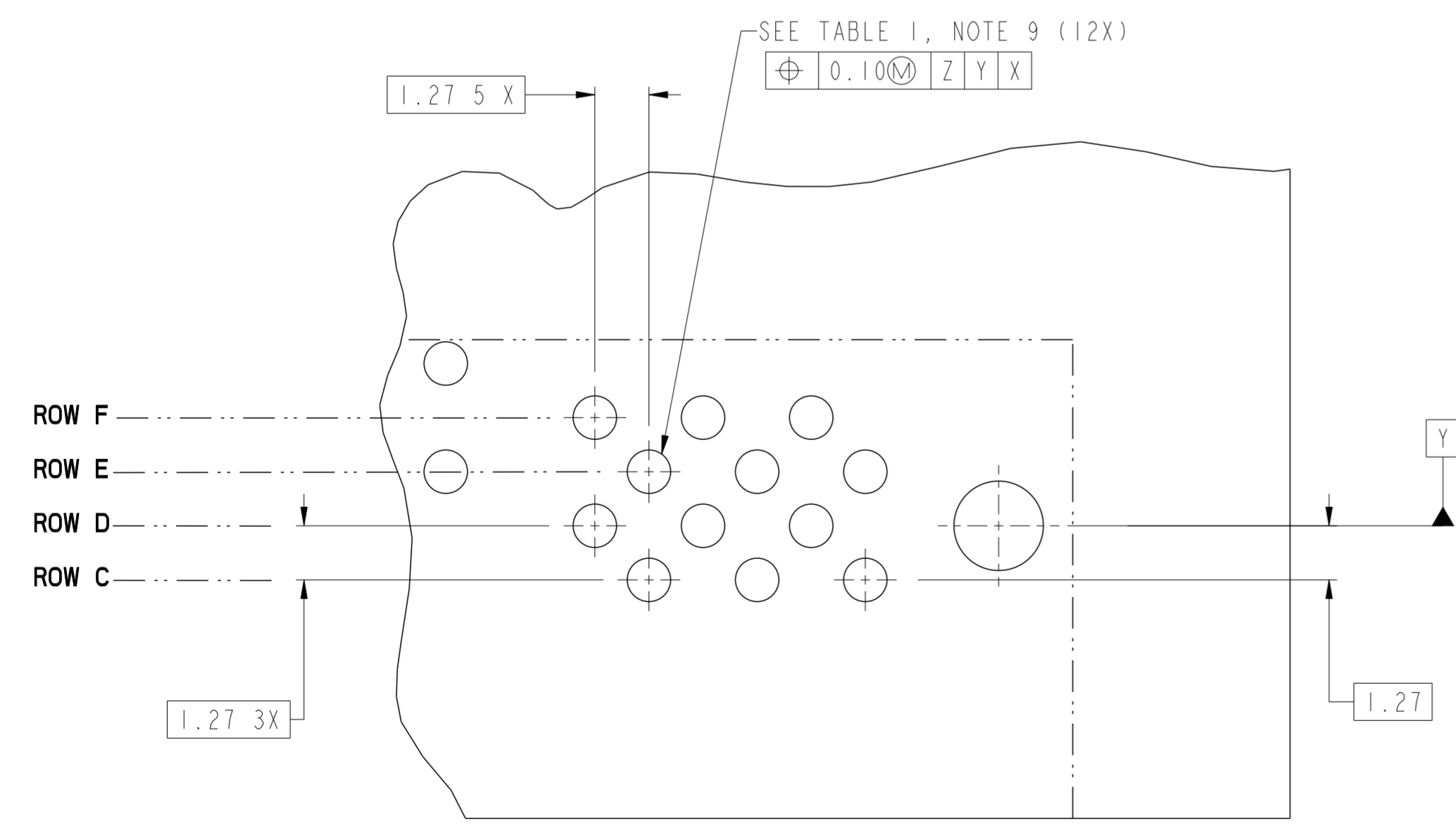
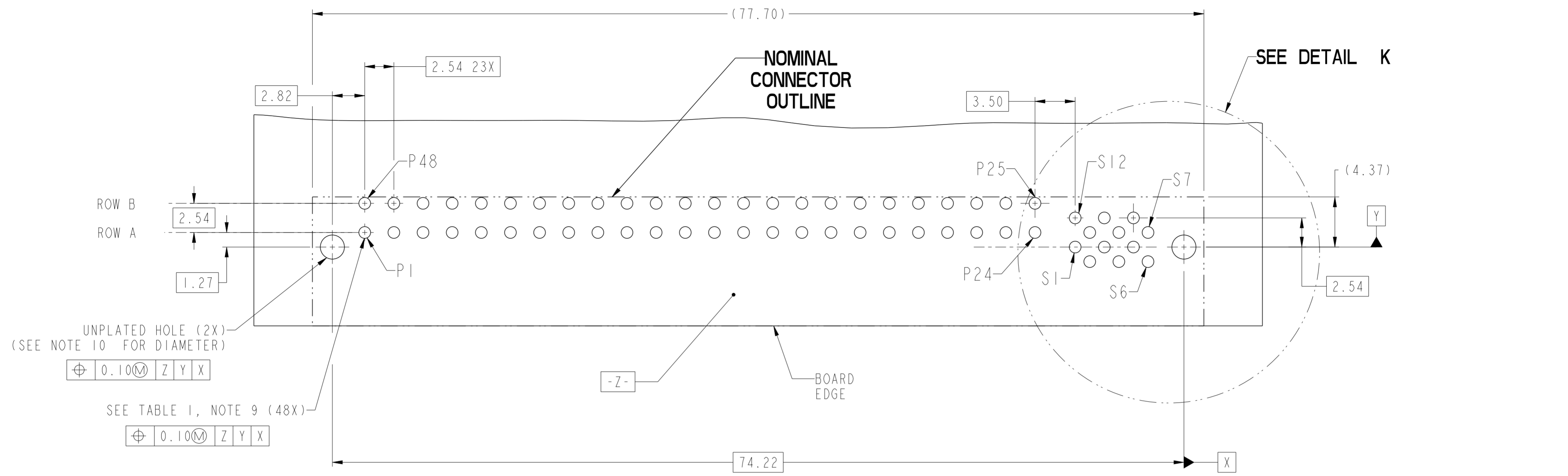




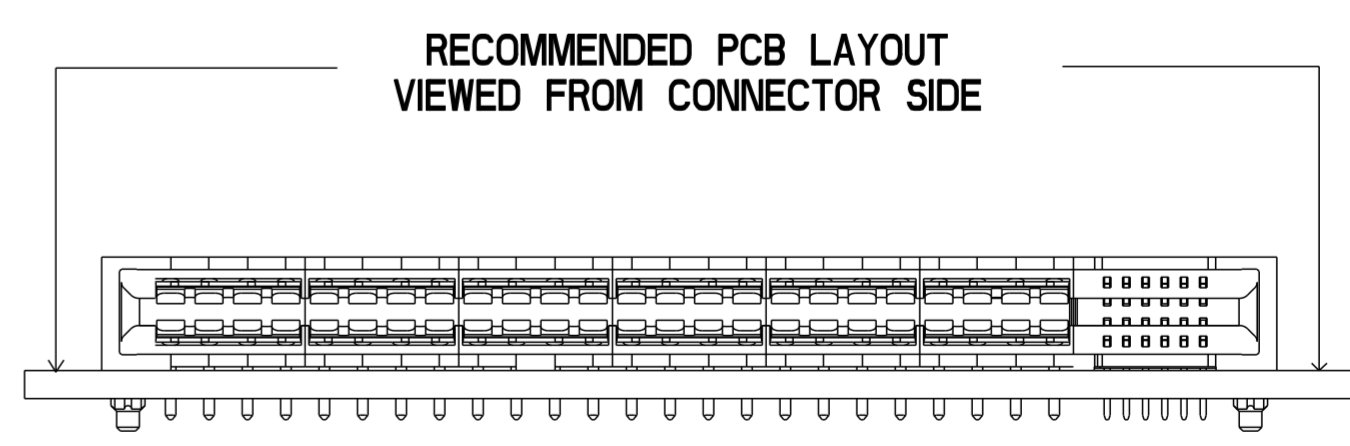
rev	ecn no	dr	date
A	---	JW	2012-08-22
-	-	-	-
-	-	-	-
-	-	-	-
-	-	-	-

spec ref	-	dr	Wei-Long Zhang	2011/08/03	projection	MM	size	A2	scale	4:1
tolerance std	ISO 406 ISO 1101	eng	Wei-Long Zhang	2012/08/22			ecn no	-	rel level	Released
surface	ISO 1302	chr	-	appr						
TOLERANCES UNLESS OTHERWISE SPECIFIED linear: 0.X ±0.30, 0.XX ±0.10, 0.XXX ±0.05 angular: 0° ±2°				title: RIGHT ANGLE 48P12S HIGH POWER CARD EDGE		dwg no: 10118849		rev: A		
www.fci.com		cat. no.		-		Product - Customer Drw		sheet 1 of 4		

Copyright FCI. FCI



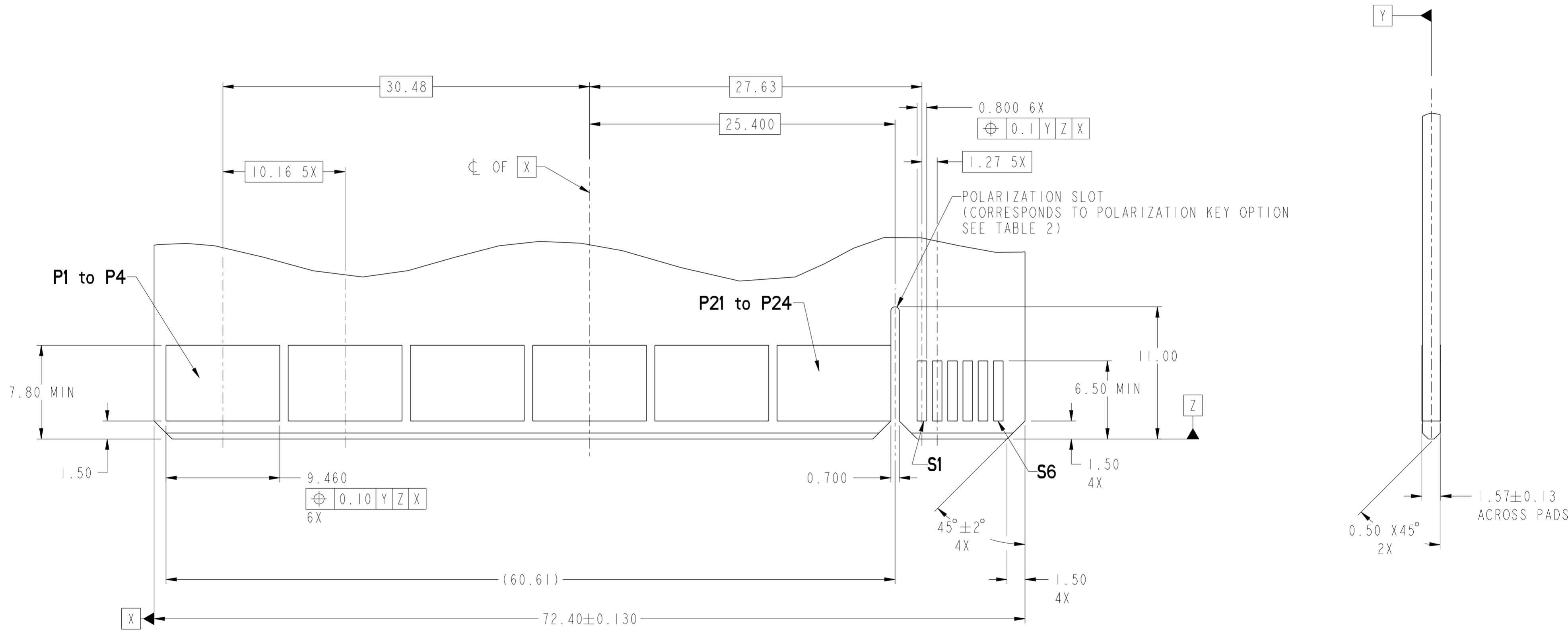
DETAIL K
SCALE 8:1



dr	Wei-Long Zhang	2011/08/03	projection	MM	size	A2	scale	4:1
eng	Wei-Long Zhang	2012/08/22			ecn no	-	rel level	Released
chr	-	-			cat. no.	-		
appr	Pei-Ming Zheng	2012/08/23	product family	HPCE	rel level	Released	dwg no	10118849
		title RIGHT ANGLE 48P12S HIGH POWER CARD EDGE			rev	A	Product - Customer Draw sheet 2 of 4	

Copyright FCI. FCI

CONTACT TYPE	TOP LAYER DESCRIPTION	TABLE 1 (HPCE / SOLDER TAILS) PLATED THROUGH-HOLE REQUIREMENTS				
		DRILLED HOLE DIAMETER	COPPER THICKNESS	TIN-LEAD THICKNESS	TIN THICKNESS	FINISHED HOLE DIAMETER
POWER & SIGNAL	TIN-LEAD	1.10-1.16 (1.15 DRILL)	0.025 - 0.050	0.005 - 0.015	--	0.94 - 1.10
	IMMERSION TIN	1.10-1.16 (1.15 DRILL)	0.025 - 0.050	--	0.9 - 1.5um	0.94 - 1.10
	COPPER (SEE NOTE 8)	1.10-1.16 (1.15 DRILL)	0.025 - 0.050	--	--	0.94 - 1.10



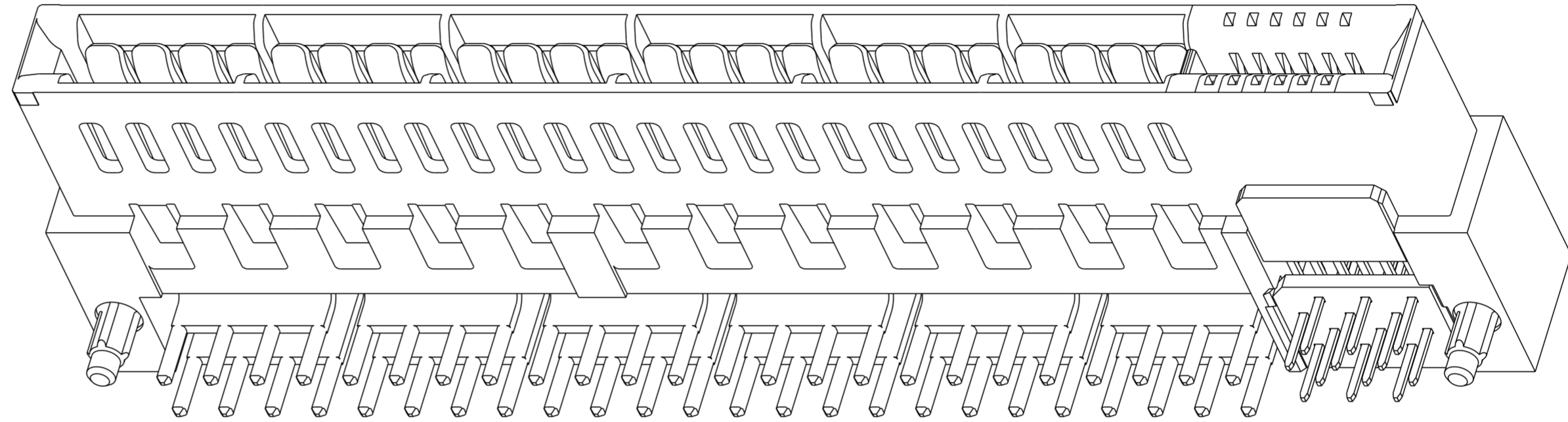
RECOMMENDED MATING BOARD FOOTPRINT

dr	Wei-Long Zhang	2011/08/03	projection	MM	size	A2	scale	4:1
eng	Wei-Long Zhang	2012/08/22			ecn no	-		
chr	-	-			rel level	Released		
appr	Pei-Ming Zheng	2012/08/23	product family	HPCE				
			title	RIGHT ANGLE 48P12S		dwg no	10118849	
www.fci.com			cat. no.	-	Product - Customer Drw	rev	A	

Copyright FCI. FCI

ProjE File - REV C - 2009-06-09

HPCE PART NUMBER (TABLE 2)				
PRODUCT NUMBER	TAIL TYPE	HOLD-DOWN PEGS OPTION	POLARIZATION KEY OPTION	DIM "A" TYP TAIL LENGTH
10118849-001LF	SOLDER TAIL	NO	YES	3.25±0.50
10118849-002LF			NO	
10118849-003LF		YES	YES	
10118849-004LF			NO	



NOTES:

1. CONNECTOR MATERIALS:
 - HOUSING: HIGH TEMPERATURE THERMAL PLASTIC, BLACK
UL 94V-0 COMPLIANT
 - CONTACTS: HIGH PERFORMANCE COPPER ALLOY.
2. CONTACT FINISH REF. GS-12-604 SECTION 5.2.
3. PRODUCT SPECIFICATION: GS-12-604.
4. APPLICATION SPECIFICATION: GS-20-128).
5. PRODUCT MARKING (FCI - PART NUMBER & DATE CODE) ON HOUSING IN AREA SHOWN.
6. PACKAGING MEETS FCI SPECIFICATION GS-14-937.
7. HOUSING COMPONENT WILL WITHSTAND EXPOSURE TO 260°C PEAK TEMPERATURE FOR 60 SECONDS IN A CONVECTION, INFRA-RED, OR VAPOR PHASE REFLOW OVEN.
8. COPPER PLATING THICKNESS IN CENTER OF VIA-HOLE CAN BE NO MORE THAN 0.003 LESS THAN OTHER AREAS.
9. ALL HOLE SIZES ARE FINISHED HOLE SIZES.
10. MOUNTING HOLES ARE UNPLATED
Ø 2.18 +/- 0.03 FOR SOLDER TAILS

dr	Wei-Long Zhang	2011/08/03	projection	MM	size	A2	scale	4:1
eng	Wei-Long Zhang	2012/08/22			ecn no	-		
chr	-	-			product family	HPCE	rel level	Released
appr	Pei-Ming Zheng	2012/08/23			cat. no.	-	Product - Customer Drw	sheet 4 of 4
			title RIGHT ANGLE 48P12S HIGH POWER CARD EDGE			dwg no 10118849		rev A