



Chipsmall Limited consists of a professional team with an average of over 10 year of expertise in the distribution of electronic components. Based in Hongkong, we have already established firm and mutual-benefit business relationships with customers from,Europe,America and south Asia,supplying obsolete and hard-to-find components to meet their specific needs.

With the principle of “Quality Parts,Customers Priority,Honest Operation,and Considerate Service”,our business mainly focus on the distribution of electronic components. Line cards we deal with include Microchip,ALPS,ROHM,Xilinx,Pulse,ON,Everlight and Freescale. Main products comprise IC,Modules,Potentiometer,IC Socket,Relay,Connector.Our parts cover such applications as commercial,industrial, and automotives areas.

We are looking forward to setting up business relationship with you and hope to provide you with the best service and solution. Let us make a better world for our industry!



Contact us

Tel: +86-755-8981 8866 Fax: +86-755-8427 6832

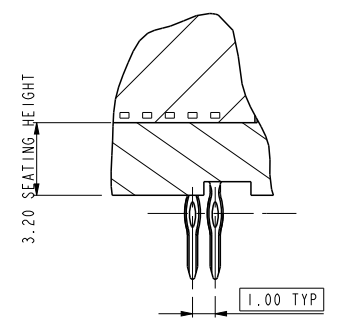
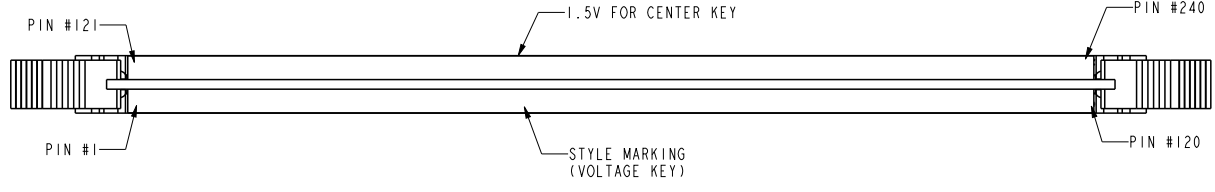
Email & Skype: info@chipsmall.com Web: www.chipsmall.com

Address: A1208, Overseas Decoration Building, #122 Zhenhua RD., Futian, Shenzhen, China

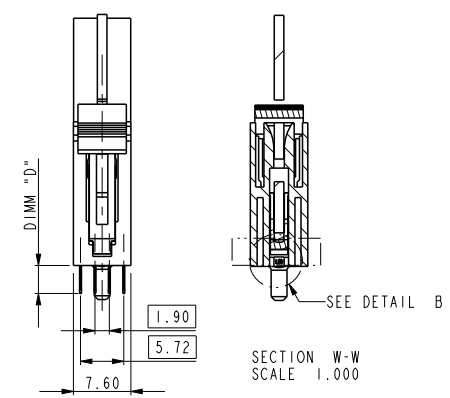
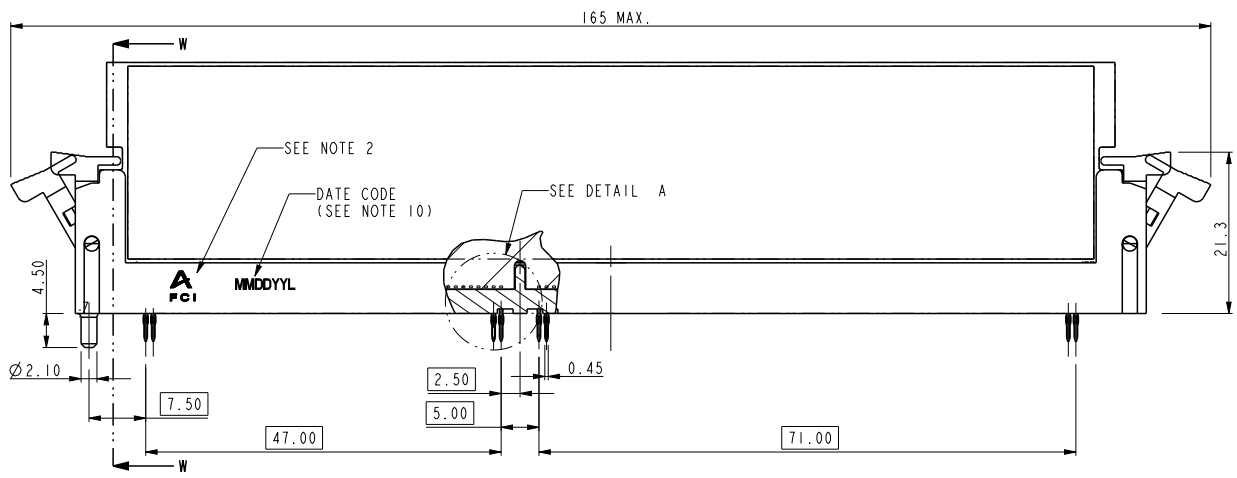




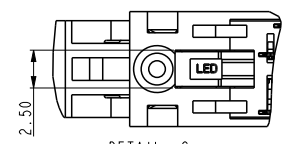
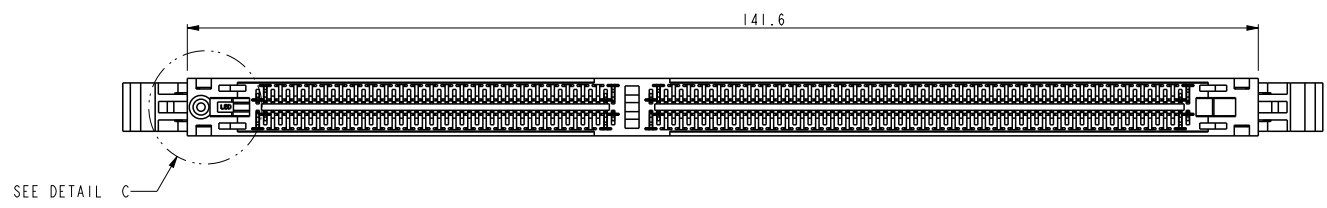
Copyright FCI.



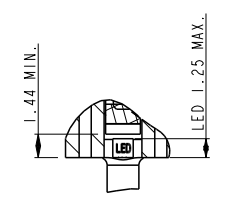
DETAIL A
SCALE 3.000



SECTION W-W
SCALE 1.000



DETAIL C
SCALE 2.000



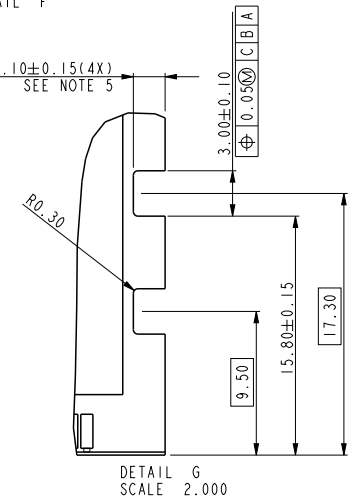
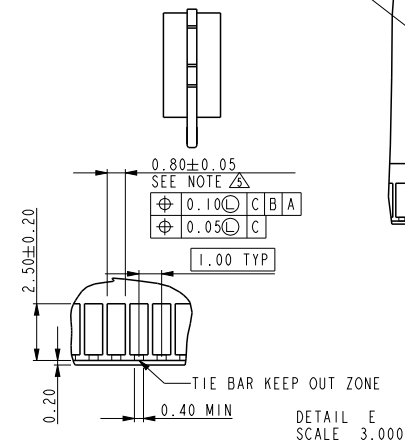
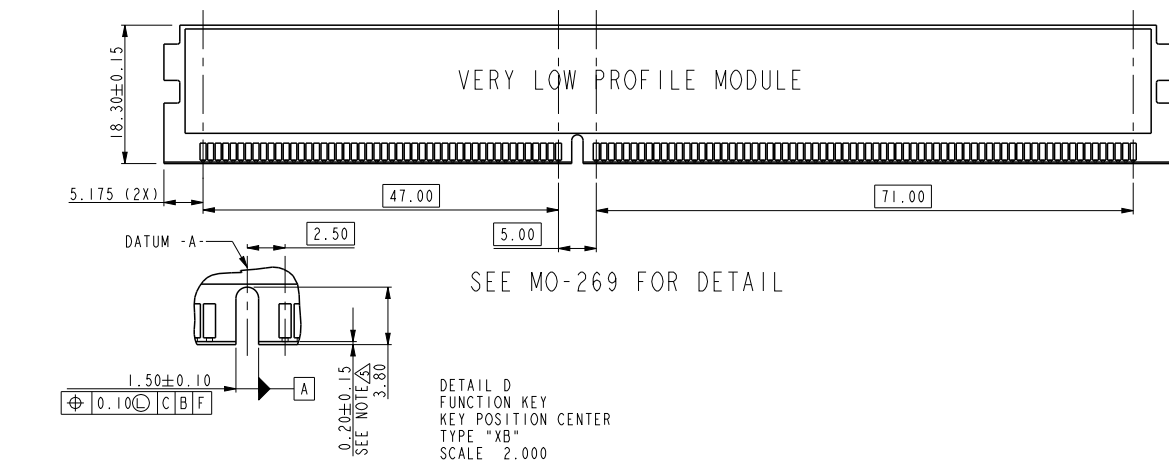
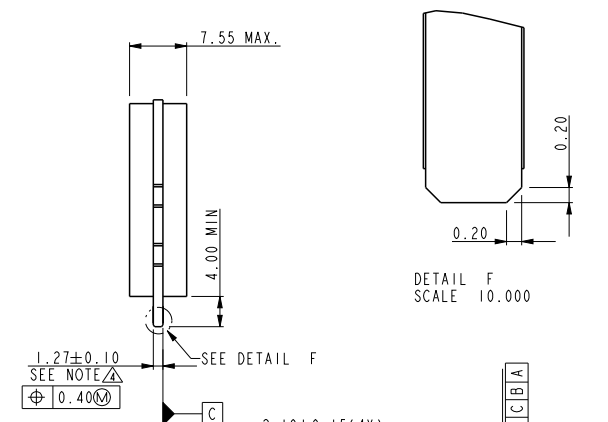
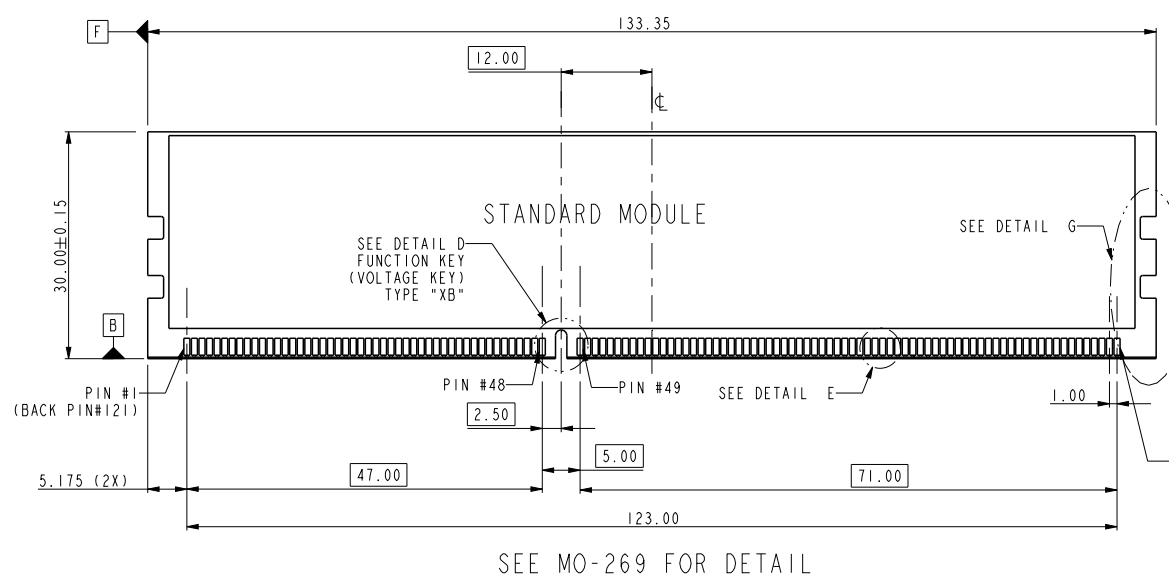
DETAIL B
SCALE 2.000

spec ref	*	dr	Nickor Zuo	2012/03/08	projection 	mm ←→	size	A4	scale	0.500	
tolerance std	TOLERANCES UNLESS OTHERWISE SPECIFIED	eng	Terris Liu	2013/07/23			product family	ecn no	ELX-DG-13787-1		
		chr	Shao-Qi Kuang	2013/07/23				rel level	Released		
surface	✓	appr	Pei-Ming Zheng	2013/07/23	title		DDR III, 240P PRESS-FIT FOR RDIMM MODULE	dwg no	10119101	rev	B
	linear	0.X	±0.38	www.fci.com	cat. no.		*	Product - Customer Drw	sheet 1 of 4		
		0.XX	±0.25								
		0.XXX	±0.13								
	angular	0°	±2°								

ProjE File - REV C - 2009-06-09



Copyright FCI.



DETAIL D
FUNCTION KEY
KEY POSITION CENTER
TYPE "XB"
SCALE 2.000

DETAIL E
SCALE 3.000

DETAIL F
SCALE 10.000

DETAIL G
SCALE 2.000

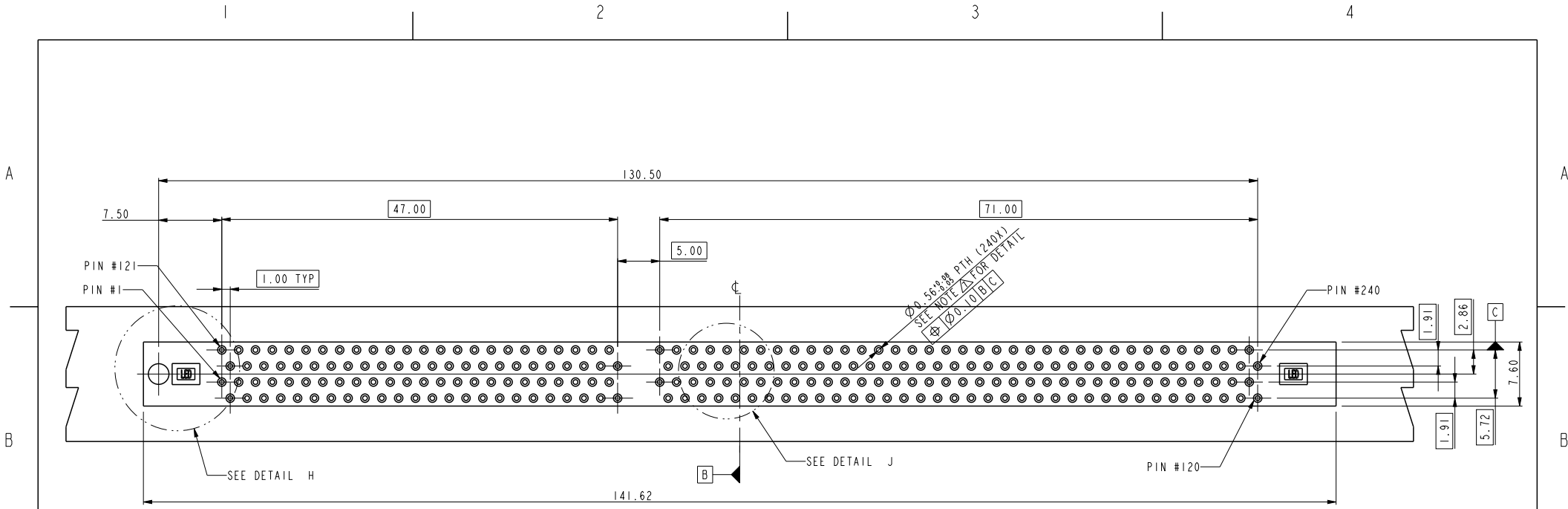
TYPE "XB"	1.5 VOLTAGE
SUB KEY POS #1	DESCRIPTION

spec ref	*	dr	Nickor Zuo	2012/03/08	projection	mm	size	A4	scale	0.500							
tolerance std	TOLERANCES UNLESS OTHERWISE SPECIFIED	eng	Terris Liu	2013/07/23			ecn no	ELX-DG-13787-1									
		chr	Shao-Qi Kuang	2013/07/23				rel level	Released								
		appr	Pei-Ming Zheng	2013/07/23	product family												
surface	<table border="1"> <tr> <td>linear</td> <td>0.X</td> <td>±0.38</td> </tr> <tr> <td></td> <td>0.XX</td> <td>±0.25</td> </tr> <tr> <td></td> <td>0.XXX</td> <td>±0.13</td> </tr> <tr> <td>angular</td> <td>0°</td> <td>±2°</td> </tr> </table>	linear	0.X	±0.38		0.XX	±0.25		0.XXX	±0.13	angular	0°	±2°		title DDR III, 240P PRESS-FIT FOR RDIMM MODULE	dwg no 10119101	rev B
linear	0.X	±0.38															
	0.XX	±0.25															
	0.XXX	±0.13															
angular	0°	±2°															
		www.fci.com	cat. no.	*	Product - Customer Drw			sheet 2 of 4									

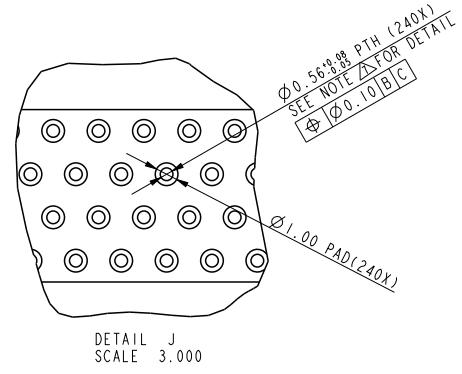
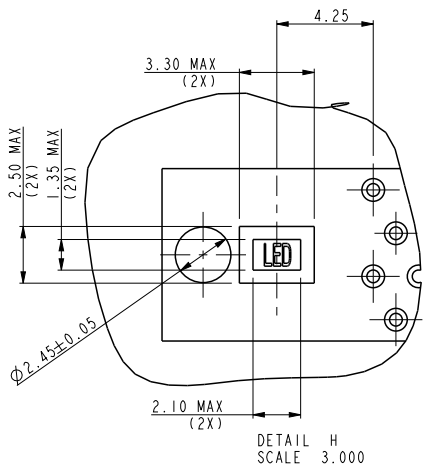
PrdE File - REV C - 2009-06-09



Copyright FCI.



RECOMMENDED CIRCUIT BOARD HOLE LAYOUT



spec ref	*	dr	Nickor Zuo	2012/03/08	projection	mm	size	A4	scale	0.500											
tolerance std	TOLERANCES UNLESS OTHERWISE SPECIFIED	eng	Terris Liu	2013/07/23			ecn no	ELX-DG-13787-1													
		chr	Shao-Qi Kuang	2013/07/23				rel level	Released												
surface	<table border="1"> <tr> <td>linear</td> <td>0.X</td> <td>± 0.38</td> </tr> <tr> <td></td> <td>0.XX</td> <td>± 0.25</td> </tr> <tr> <td></td> <td>0.XXX</td> <td>± 0.13</td> </tr> <tr> <td>angular</td> <td>0°</td> <td>$\pm 2^\circ$</td> </tr> </table>	linear	0.X	± 0.38		0.XX	± 0.25		0.XXX	± 0.13	angular	0°	$\pm 2^\circ$	appr	Pei-Ming Zheng	2013/07/23	product family	rev	B		
linear	0.X	± 0.38																			
	0.XX	± 0.25																			
	0.XXX	± 0.13																			
angular	0°	$\pm 2^\circ$																			
		title		DDR III, 240P PRESS-FIT FOR RDIMM MODULE			dwg no		10119101												
www.fci.com		cat. no.		Product - Customer Drw			sheet 3 of 4														

ProjE File - REV C - 2009-06-09

10119101-□ □ □ □ □ □

STYLE: MECHANICAL KEYING
1 : 1.5 VOLT. W/CENTER KEY #1

For RoHS Option:
Blank: Tin-Lead
LF: Lead Free

For Type Option:
Blank: Normal Type
C: Special Type

REVISE
0

PLATING

CODE	DIM. "D"
0	3.30
1	3.70
2	4.20

TAIL LENGTH

CODE	CONTACT	TAIL AREA	UNDERPLATE	CODE	CONTACT	TAIL AREA	UNDERPLATE
2B	15u"(0.38um) MIN. GOLD	35u"~100u" Tin/Lead PLATING	50u"(1.27um) MIN. NICKEL OVERALL	2	15u"(0.38um) MIN. GOLD	35u"~100u" Tin PLATING	50u"(1.27um) MIN. NICKEL OVERALL
3B	30u"(0.76um) MIN. GOLD			3	30u"(0.76um) MIN. GOLD		
4B	3u"(0.076um) MIN. GOLD			4	3u"(0.076um) MIN. GOLD		
6B	15u"(0.38um) MIN. GOLD (LUBRICATED)	35u"~100u" Tin/Lead PLATING	50u"(1.27um) MIN. NICKEL OVERALL	6	15u"(0.38um) MIN. GOLD (lubricated)	35u"~100u" Tin PLATING	50u"(1.27um) MIN. NICKEL OVERALL
7B	30u"(0.76um) MIN. GOLD (LUBRICATED)			7	30u"(0.76um) MIN. GOLD (LUBRICATED)		
8B	3u"(0.076um) MIN. GOLD (LUBRICATED)			8	3u"(0.076um) MIN. GOLD (LUBRICATED)		

COLOR OF HOUSING AN EJECTOR

- 0 : BLACK HOUSING + IVORY EJECTOR
- 1 : BLACK HOUSING + AMBER COLOR EJECTOR
- 2 : BLACK HOUSING + BLACK EJECTOR
- 3 : IVORY HOUSING + IVORY EJECTOR
- 4 : BLUE HOUSING + IVORY EJECTOR

- NOTE:
- MATERIAL:
HOUSING: HIGH PERFORMANCE RESINS, GLASS FILLED UL94V-0 RATED,
EJECTOR: HIGH PERFORMANCE RESINS, GLASS FILLED UL94V-0 RATED,
TERMINAL: COPPER ALLOY.
 - FCI LOGO TO BE APPROXIMATELY LOCATED AS SHOWN ON PRINT.
 - PRODUCT SPECIFICATION: GS-12-617
 - CARD THICKNESS APPLIES ACROSS TABS AND INCLUDES PLATING AND / OR METALIZATION.
 - LEADING EDGE OF CONTACT PADS SPECIFIED BY THE KEEP OUT ZONE SHALL BE FREE OF BURRS AND EXTERNAL TIE BARS.
FOR OPTIMUM PERFORMANCE, THE TIE BAR IS TO BE ON AN INTERNAL LAYER SO THAT THE REMNANT CANNOT CAUSE CONTACT DAMAGE.
 - PACKAGING SPECIFICATION: GS-14-528.
 - ALL PTH SHOULD BE 0.66mm DIA DRILLED AND 0.025mm MIN. ELECTRO-DEPOSITED COPPER THK ON THROUGH HOLE WALL.
 - THIS PRODUCT MEETS EUROPEAN UNION DIRECTIVES AND OTHER COUNTRY REGULATIONS AS DESCRIBED IN GS-22-008.
 - THE AMBER EJECTOR CAN WITHSTAND MAX 174°C EXPOSURE TEMPERATURE
 - DATE CODE MMDDYY IS ASSEMBLY DATE, L IS PRODUCTION LINE("D" DENOTES FCI DONGGUAN).
EXAMPLE: 080311D DENOTES CONNECTOR WAS ASSEMBLED IN AUG. 3RD, 2011, BY DONGGUAN PLANT.



Copyright FCI.

spec ref	*	dr	Nickor Zuo	2012/03/08	projection 	mm 	size	A4	scale	0.500	
tolerance std	TOLERANCES UNLESS OTHERWISE SPECIFIED	eng	Terris Liu	2013/07/23			product family	ecn no	ELX-DG-13787-1		
		chr	Shao-Qi Kuang	2013/07/23				rel level	Released		
surface	✓	appr	Pei-Ming Zheng	2013/07/23	title		DDR III, 240P PRESS-FIT	dwg no	10119101	rev	B
	linear				www.fci.com	cat. no.	*	Product - Customer Drw	sheet 4 of 4		
	angular										