



Chipsmall Limited consists of a professional team with an average of over 10 year of expertise in the distribution of electronic components. Based in Hongkong, we have already established firm and mutual-benefit business relationships with customers from,Europe,America and south Asia,supplying obsolete and hard-to-find components to meet their specific needs.

With the principle of “Quality Parts,Customers Priority,Honest Operation,and Considerate Service”,our business mainly focus on the distribution of electronic components. Line cards we deal with include Microchip,ALPS,ROHM,Xilinx,Pulse,ON,Everlight and Freescale. Main products comprise IC,Modules,Potentiometer,IC Socket,Relay,Connector.Our parts cover such applications as commercial,industrial, and automotives areas.

We are looking forward to setting up business relationship with you and hope to provide you with the best service and solution. Let us make a better world for our industry!



Contact us

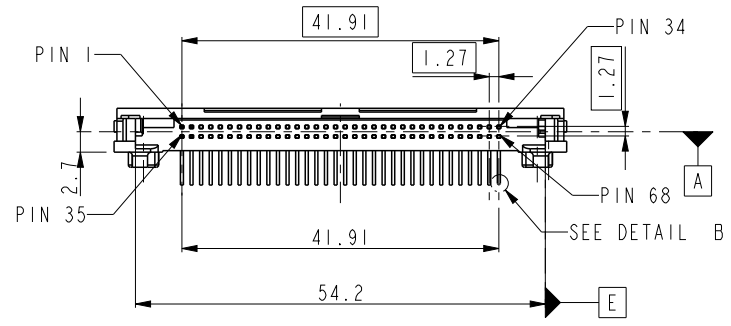
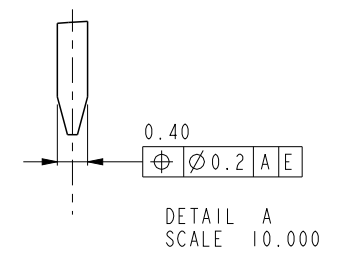
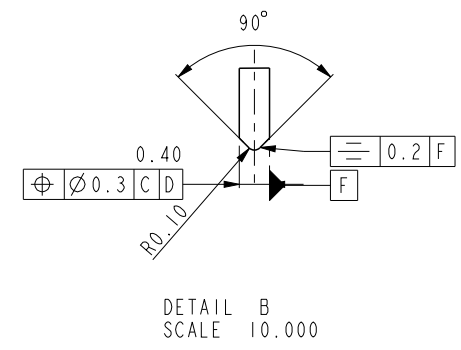
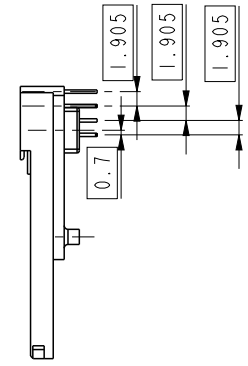
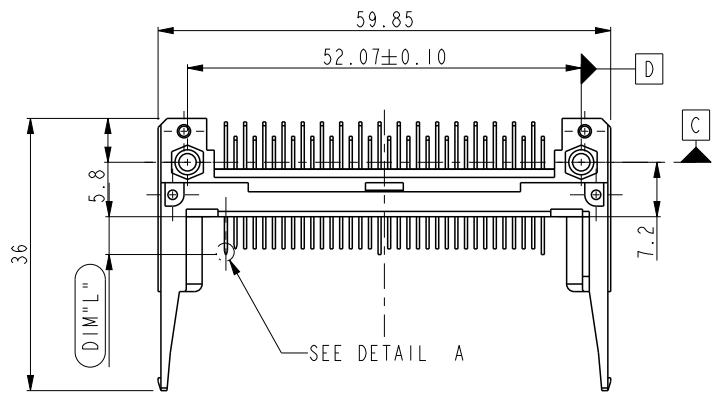
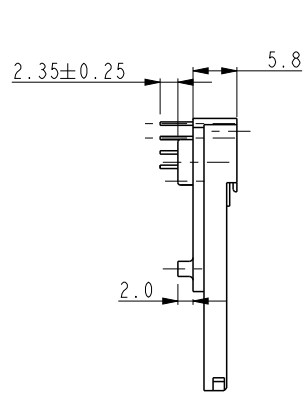
Tel: +86-755-8981 8866 Fax: +86-755-8427 6832

Email & Skype: info@chipsmall.com Web: www.chipsmall.com

Address: A1208, Overseas Decoration Building, #122 Zhenhua RD., Futian, Shenzhen, China



PRODUCT NO.	STAND OFF (MM)	SOLDER TAIL	LOWER OR UPPER DECK	HOLD DOWN	LOCATOR
10119103-040LF	2.0	R/A	LOWER	NONE	NONE



DIM"L"	4.25±0.1	3.5±0.1	5.0±0.1
PIN NO.	OTHERS	36, 37	1, 17, 34, 35, 51, 68

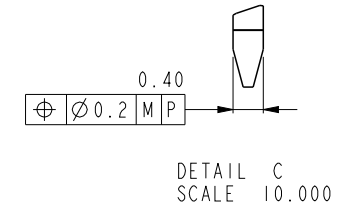
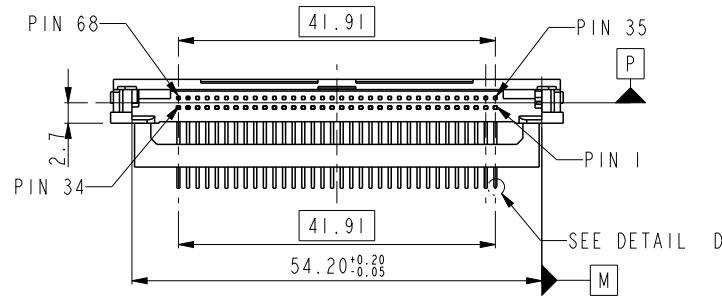
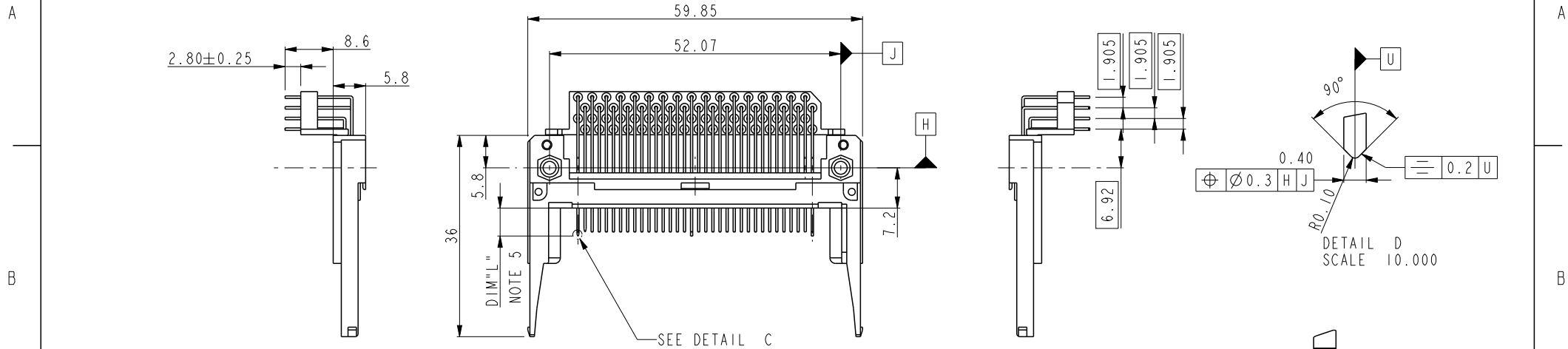


Copyright FCI.

spec ref		dr Su-Hua Miao 2012/05/22		projection	MM	size A4	scale 1.000		
tolerance std ISO1101 ISO406		eng Su-Hua Miao 2012/06/04				ecn no -		rel level Released	
TOLERANCES UNLESS OTHERWISE SPECIFIED		chr -				product family PCMCIA -			
surface <input checked="" type="checkbox"/>		appr Rick Bian 2012/06/04		product family PCMCIA -		rev			
ISO1302		linear	0.X ±0.3			title 68 POS EJECTOR HEADER ASSY FOR 5V APPLICATION cat. no. - Product - Customer Drw			
			0.XX ±0.13					dwg no 10119103 sheet 1 of 3	
			0.XXX ±0.05						
		angular	0° ±2°	www.fci.com					

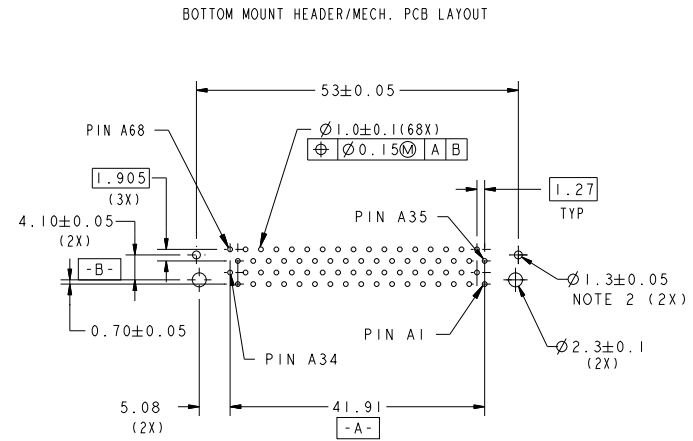
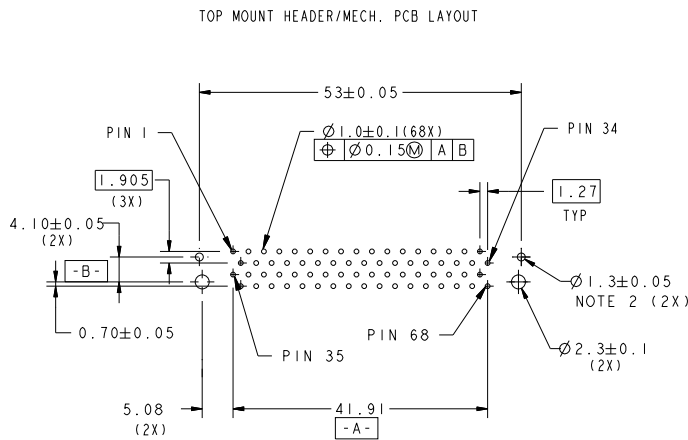
ProE File - REV C - 2009-06-09

PRODUCT NO.	STAND OFF (MM)	SOLDER TAIL	LOWER OR UPPER DECK	HOLD DOWN	LOCATOR
10119103-505LF	0	R/A	UPPER	NONE	YES



DIM"L"	4.25±0.1	3.5±0.1	5.0±0.1
PIN NO.	OTHERS	36,37	1,17,34,35,51,68

spec ref		dr Su-Hua Miao 2012/05/22		projection		size A4		scale 1.000													
tolerance std ISO1101 ISO406		eng Su-Hua Miao 2012/06/04						ecn no -													
TOLERANCES UNLESS OTHERWISE SPECIFIED		chr -						rel level Released													
surface ISO1302		appr Rick Bian 2012/06/04		product family -		rev A		10119103													
<table border="1"> <tr> <td>linear</td> <td>0.X</td> <td>±0.3</td> </tr> <tr> <td></td> <td>0.XX</td> <td>±0.13</td> </tr> <tr> <td></td> <td>0.XXX</td> <td>±0.05</td> </tr> <tr> <td>angular</td> <td>0°</td> <td>±2°</td> </tr> </table>		linear	0.X	±0.3		0.XX	±0.13		0.XXX	±0.05	angular	0°	±2°			title 68 POS EJECTOR HEADER ASSY FOR 5V APPLICATION		cat. no. -		Product - Customer Drw	
linear	0.X	±0.3																			
	0.XX	±0.13																			
	0.XXX	±0.05																			
angular	0°	±2°																			
		www.fci.com		sheet 2 of 3																	



10119103-XXXXLF

- LEAD FREE
- HOLD DOWN NONE: NO
H: YES
- SOLDER TAIL 0: R/A
5: R/A
- STAND OFF 0: 0MM
4: 2MM
- MOUNTING STYLE 0: TOP MOUNTING
5: BOTTOM MOUNTING

NOTES

1. MATERIAL
HOUSING: HIGH TEMPERATURE THERMOPLASTIC
UL94V-0 BLACK
PIN: COPPER ALLOY
HOLD DOWN: BRASS
2. FINISH
PIN
UNDER PLATING: 0.5um MIN. Ni
CONTACT AREA: 1.27um MIN. GOLD
SOLDER AREA: 2.5um MIN. PURE Sn
HOLD DOWN: 2.5um MIN. PURE Sn
3. THIS PRODUCT MEETS EUROPEAN UNION DIRECTIVES AND OTHER COUNTRY REGULATIONS AS DESCRIBED IN GS-22-008
4. PRODUCT SPEC: 110-263



Copyright FCI.

spec ref		dr	Su-Hua Miao	2012/05/22	projection 	MM ←→	size	A4	scale	1.000
tolerance std		eng	Su-Hua Miao	2012/06/04			ecn no	-		
ISO1101 ISO406		chr	-	-			rel level	Released		
surface ✓ ISO1302	linear	0.X	±0.3	FCI www.fci.com	title	68 POS EJECTOR HEADER ASSY FOR 5V APPLICATION	cat. no.	-	Product - Customer Drw	sheet 3 of 3
		0.XX	±0.13							
		0.XXX	±0.05							
	angular	0°	±2°							
		www.fci.com		title		68 POS EJECTOR HEADER ASSY FOR 5V APPLICATION	cat. no.	-	Product - Customer Drw	sheet 3 of 3
				dwg no		10119103	rev		A	