



Chipsmall Limited consists of a professional team with an average of over 10 year of expertise in the distribution of electronic components. Based in Hongkong, we have already established firm and mutual-benefit business relationships with customers from,Europe,America and south Asia,supplying obsolete and hard-to-find components to meet their specific needs.

With the principle of “Quality Parts,Customers Priority,Honest Operation,and Considerate Service”,our business mainly focus on the distribution of electronic components. Line cards we deal with include Microchip,ALPS,ROHM,Xilinx,Pulse,ON,Everlight and Freescale. Main products comprise IC,Modules,Potentiometer,IC Socket,Relay,Connector.Our parts cover such applications as commercial,industrial, and automotives areas.

We are looking forward to setting up business relationship with you and hope to provide you with the best service and solution. Let us make a better world for our industry!



Contact us

Tel: +86-755-8981 8866 Fax: +86-755-8427 6832

Email & Skype: info@chipsmall.com Web: www.chipsmall.com

Address: A1208, Overseas Decoration Building, #122 Zhenhua RD., Futian, Shenzhen, China



10119126 - X0J - XXXLF

LEAD-FREE DESIGNATION ONLY WITH APPLICABLE PLATING CODES

4-COLUMN DIFFERENTIAL SIGNAL

LETTER	PLATING (SEE NOTE 6)	
	APPLICATION	TYPE (REFERENCE)
B	TELCORDIA CO	0.76µm GOLD or GXT
C	TELCORDIA UE	1.27µm GOLD
D	TELCORDIA CO	0.76µm GOLD or GXT, LEAD-FREE
E	TELCORDIA UE	1.27µm GOLD, LEAD-FREE

NUMBER	GUIDE PIN STYLE (SEE NOTE 8)
0	STANDARD GUIDE PIN, MACHINED
1	STANDARD GUIDE PIN, ROLLED

MODULE DESCRIPTION	LETTER DESIGNATION REPRESENTED IN DASH NUMBER										BASE MODULE
	N	J	A	B	C	D	E	F	G	H	
LEFT POLARIZING GUIDANCE MODULE (SEE SHEET 6)	NO KEY NO GUIDE PIN										
RIGHT POLARIZING GUIDANCE MODULE (SEE SHEET 7)	NO KEY NO GUIDE PIN										
OPEN MODULE (TWO WALL) (SEE SHEET 2)	0 (ZERO)										
LEFT WALL MODULE (SEE SHEET 3)	L										
RIGHT WALL MODULE (SEE SHEET 4)	M										
FOUR WALL MODULE (SEE SHEET 5)	1 (ONE)										

NUMBER	CONTACT MATING WIPE LENGTH		COMPLIANT TAIL TYPE (SEE NOTE 9)
	SIGNAL	GROUND	
1	2 MM	4 MM	0.55 (0.0217") DRILL
2	3 MM	4 MM	0.55 (0.0217") DRILL
3	2 MM	4 MM	0.45 MICRO (0.0177") DRILL
4	3 MM	4 MM	0.45 MICRO (0.0177") DRILL
5	2 MM	3 MM	0.55 (0.0217") DRILL
6	3 MM	3 MM	0.55 (0.0217") DRILL
7	2 MM	3 MM	0.45 MICRO (0.0177") DRILL
8	3 MM	3 MM	0.45 MICRO (0.0177") DRILL

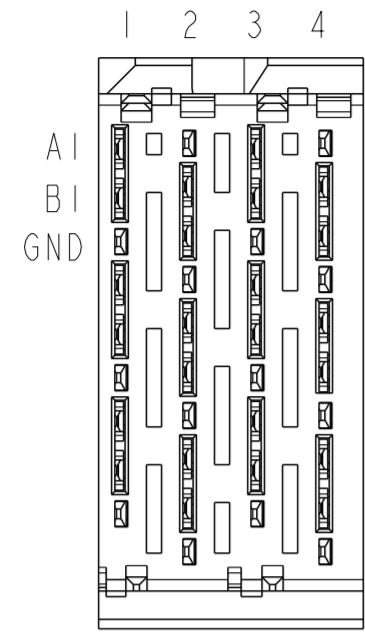
FOR CUSTOM-LOADED MODULES, SEE INDIVIDUAL CUSTOM DRAWINGS WITH THE DRAWING-NUMBER FORMAT OF 10119126-XXXX, WHERE: "X" DENOTES MODULE TYPE PER CHART ON THIS SHEET "YYYY" IS A SEQUENTIAL NUMBER BEGINNING WITH "0001".

	UNGROUND	GROUND
FHS	Ø2.35-Ø2.55	Ø2.35-Ø2.55
PAD	N/A	Ø5.50
PLATED	NO	YES
DRILL(mm)	2.44mm	2.58mm
DRILL(in)	0.096"	0.1015"

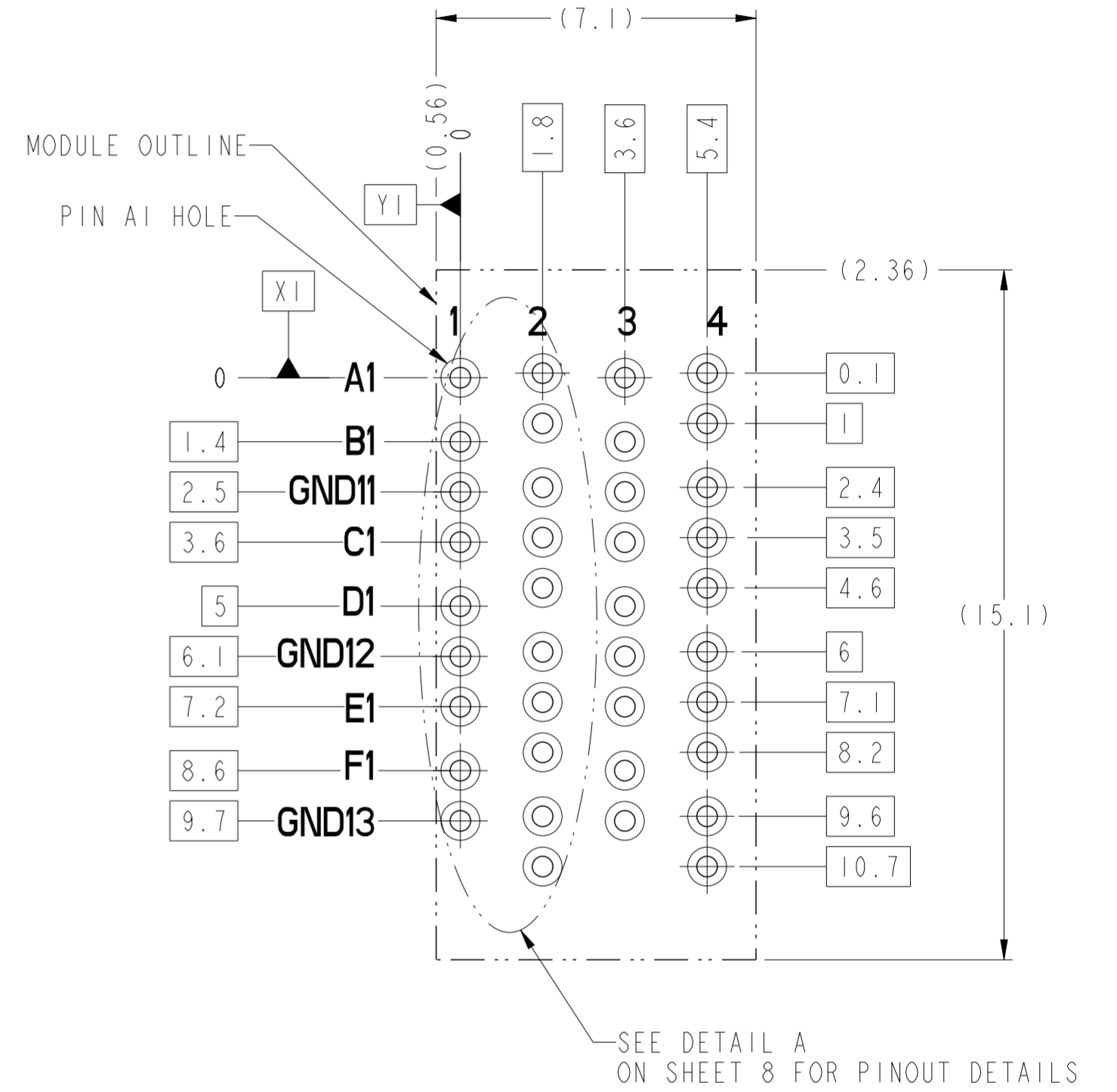
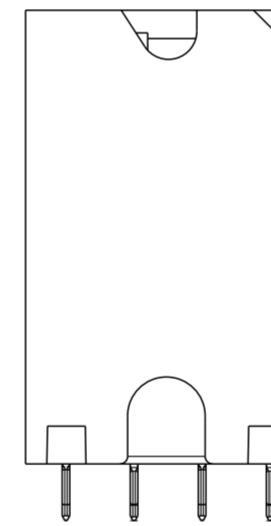
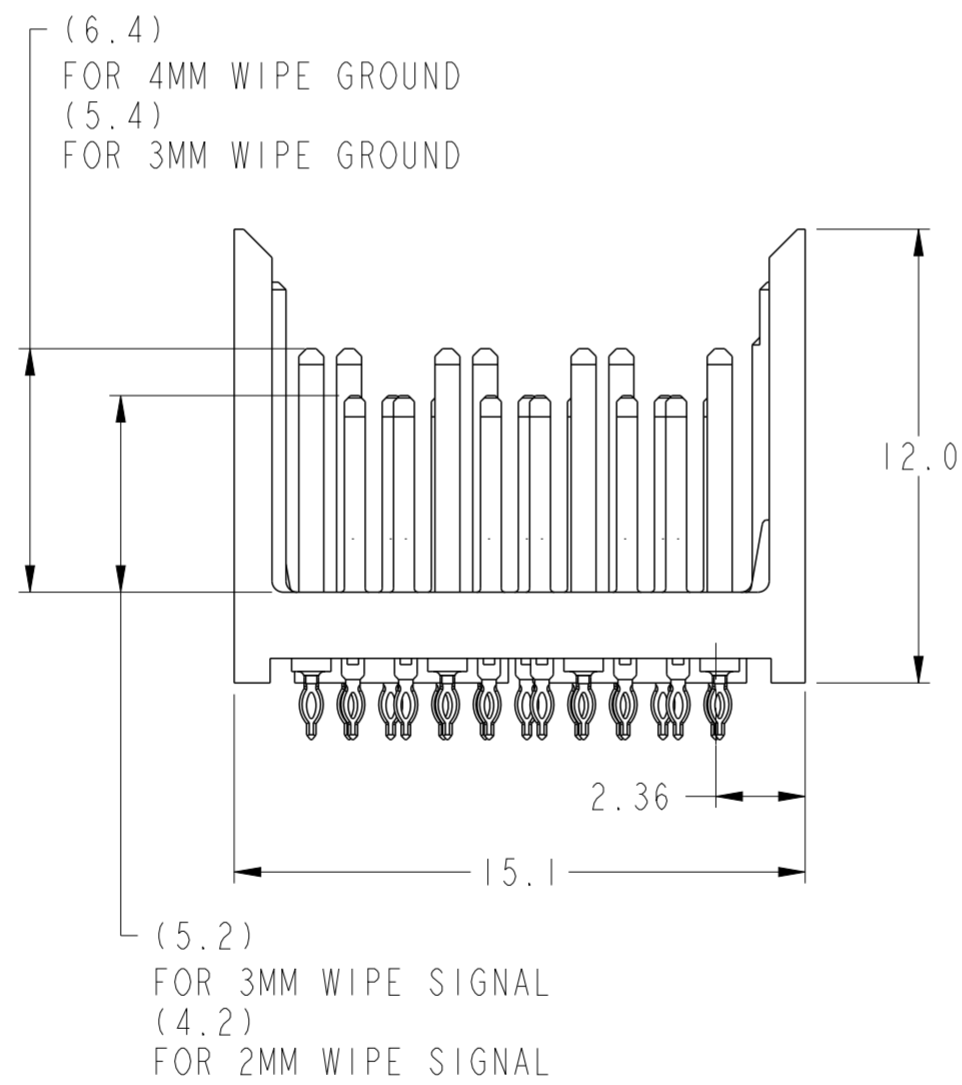
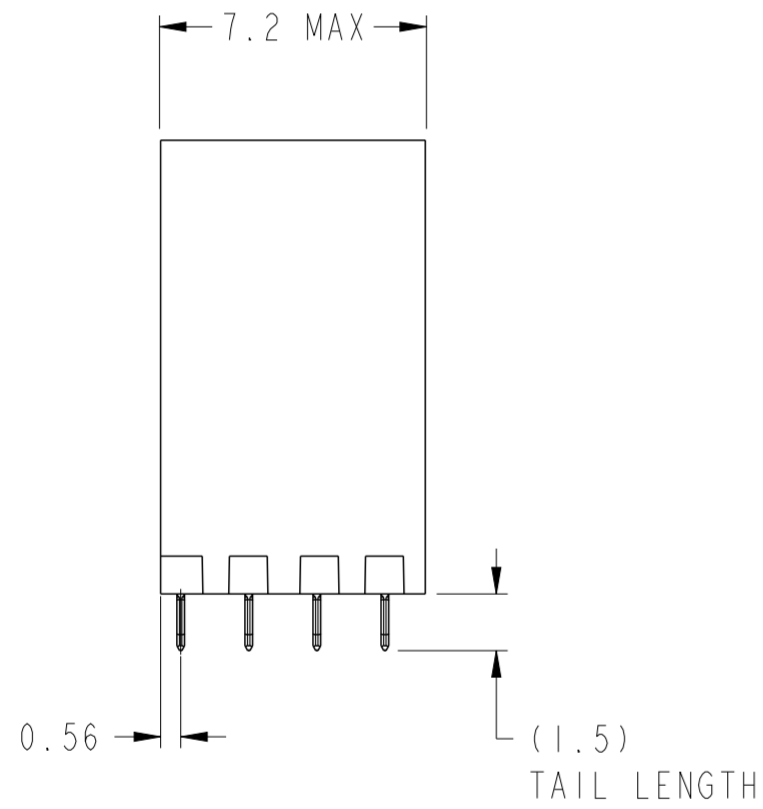
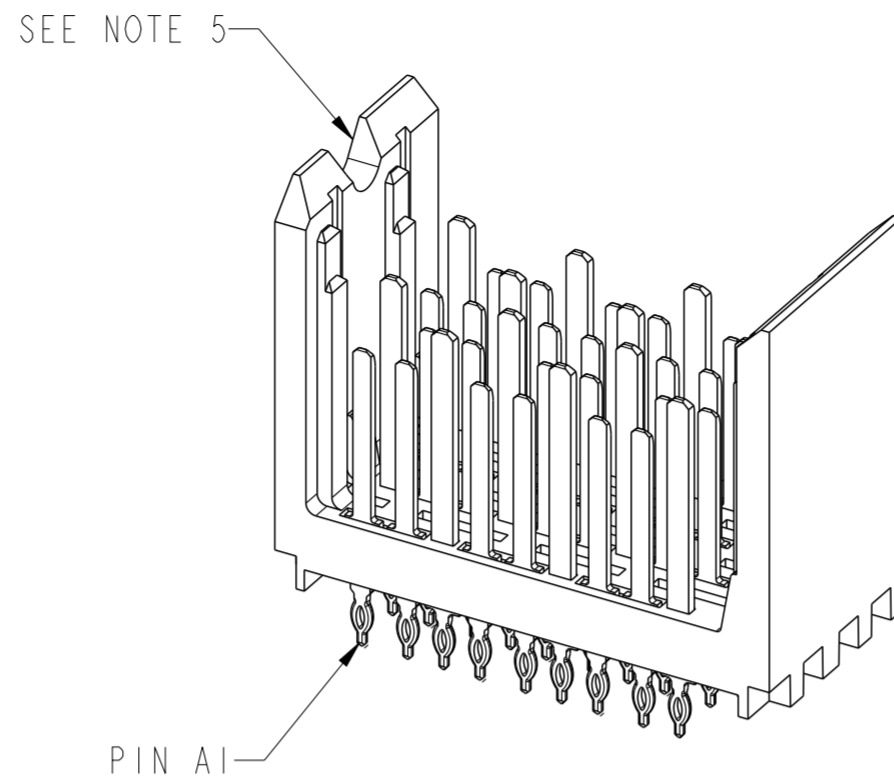
SCREW P/N	DESCRIPTION	BOARD THICKNESS
10091790-002LF	#2-56 X 0.375" LG. PHILIPS PANHEAD W/SQ CONICAL WASHER	1.60-5.00mm
10091790-003LF	#2-56 X 0.375" LG. PHILIPS PANHEAD W/SQ CONICAL WASHER	5.00-10.00mm

Copyright FCI. FCI

spec ref	-	dr	Marty Glass	2012/02/10	projection	MM	size	A2	scale	5:1													
tolerance std	ISO 406 ISO 1101	eng	Sander Soe	2013/03/20			ecn no	ELX-S-14229-1	rel level	Released													
surface	ISO 1302	chr	-	appr							Chen-Hong Tan	2013/04/09	product family	XCEDE HD									
TOLERANCES UNLESS OTHERWISE SPECIFIED		<table border="1"> <tr> <td>linear</td> <td>0.X</td> <td>±0.3</td> </tr> <tr> <td></td> <td>0.XX</td> <td>±0.10</td> </tr> <tr> <td></td> <td>0.XXX</td> <td>±0.05</td> </tr> <tr> <td>angular</td> <td>0°</td> <td>±2°</td> </tr> </table>		linear	0.X	±0.3		0.XX	±0.10		0.XXX	±0.05	angular	0°	±2°			title XCEDE HD VERTICAL HEADER 3 PAIR, 4 COLUMN STITCH HEADER		part no 10119126		rev B	
linear	0.X	±0.3																					
	0.XX	±0.10																					
	0.XXX	±0.05																					
angular	0°	±2°																					
www.fci.com		cat. no.		Product - Customer Drw		sheet 1 of 8																	



OPEN WALL MODULE



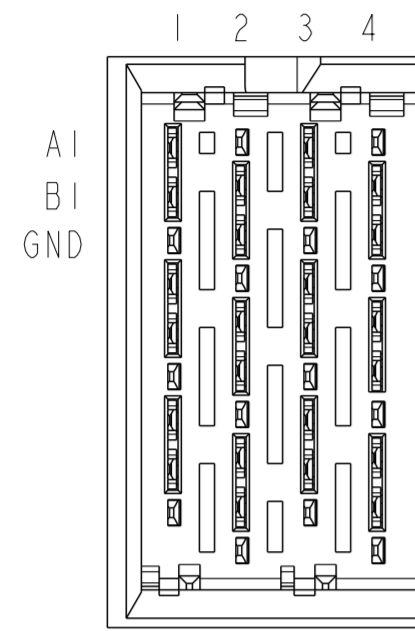
**BP HOLE PATTERN COMPONENT SIDE
OPEN WALL MODULE BACKPLANE FOOTPRINT**

SEE DETAIL A ON SHEET 8 FOR PINOUT DETAILS

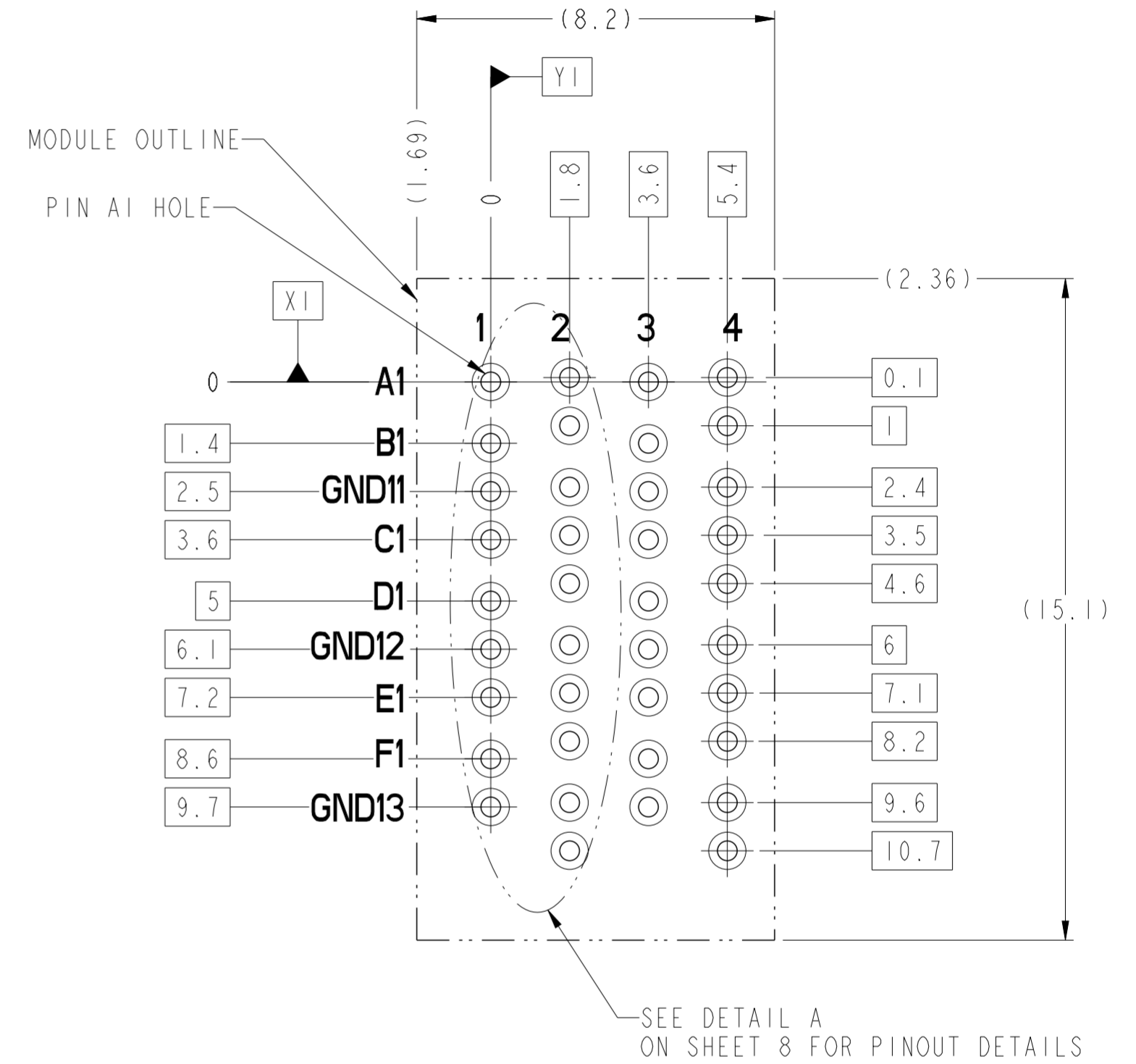
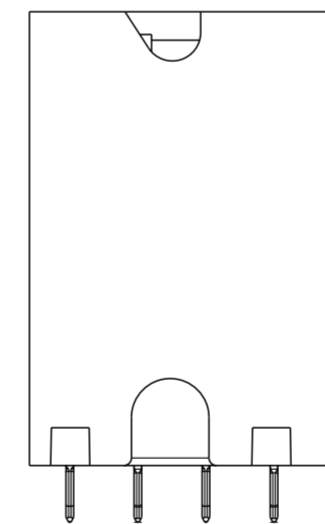
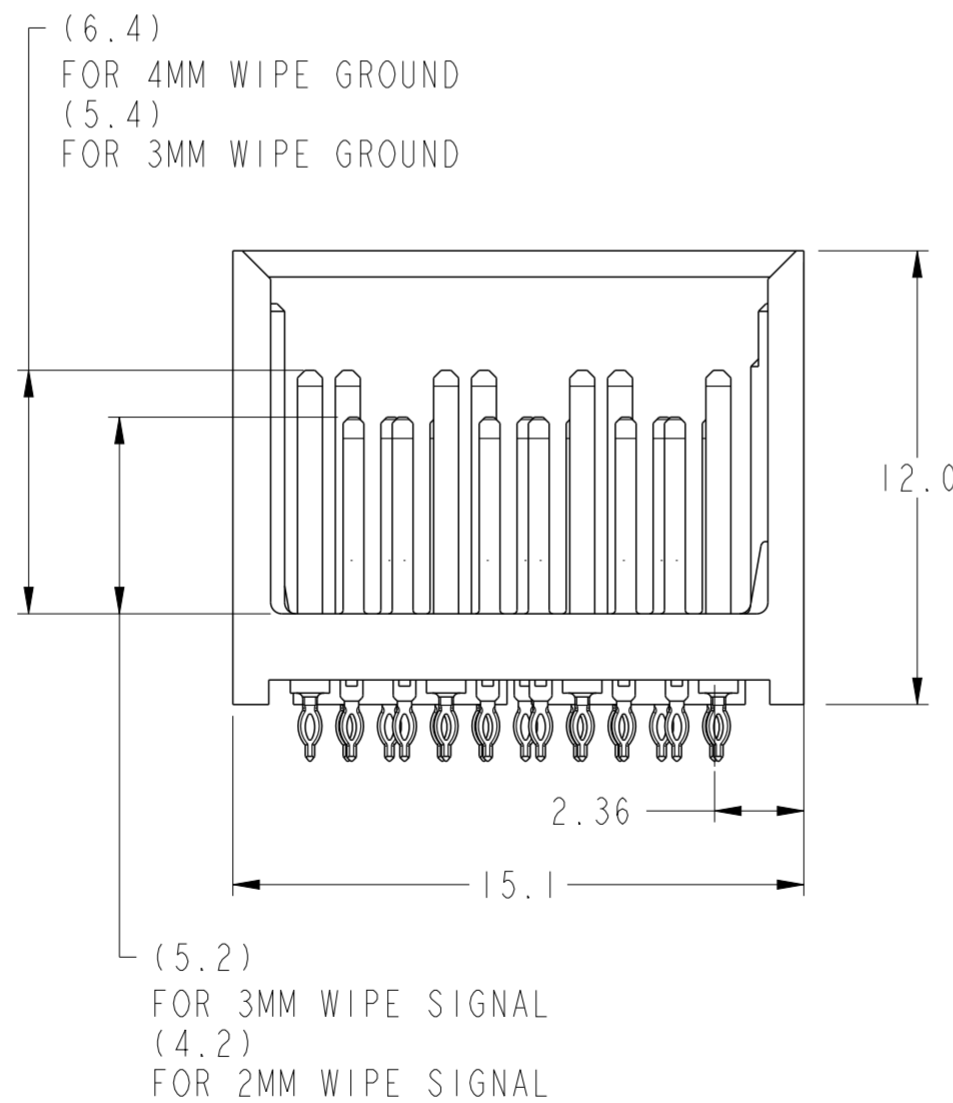
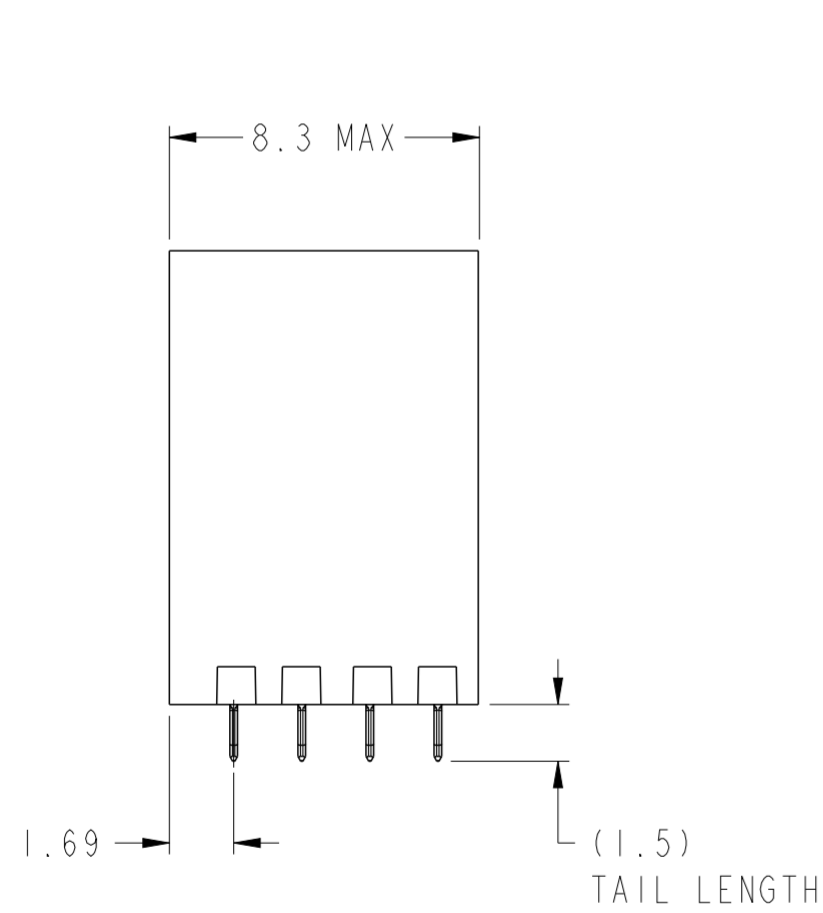
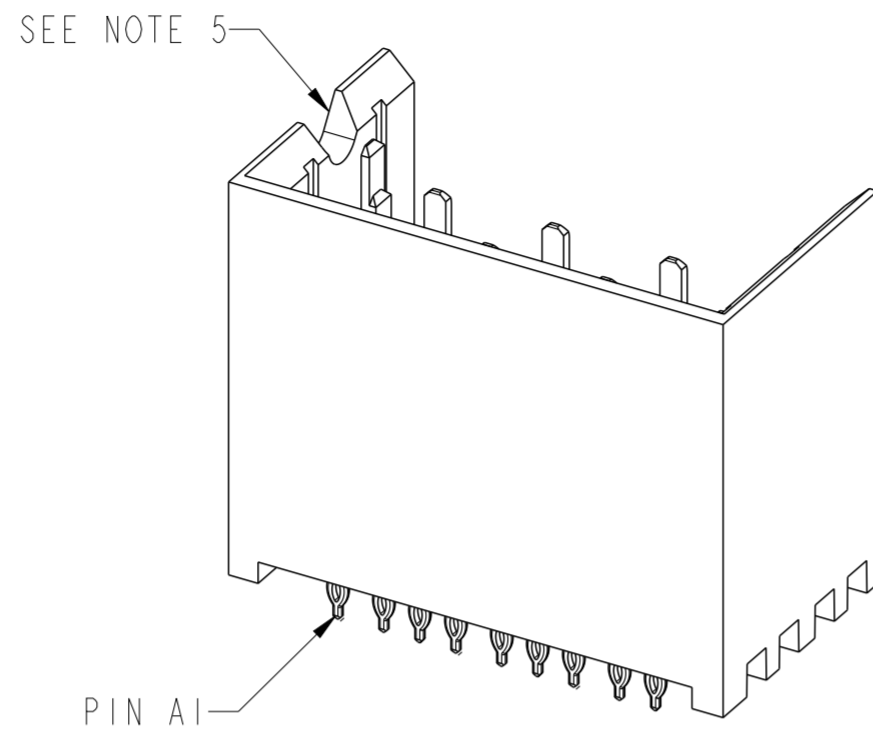


Copyright FCI.

spec ref	-	dr	Mary Glass	2012/02/10	projection	MM	size	A2	scale	3:1				
tolerance std	ISO 406 ISO 1101	eng	Sander Soe	2013/03/20			ecn no	ELX-S-14229-1						
TOLERANCES UNLESS OTHERWISE SPECIFIED		chr	-	appr				Chen-Hong Tan	2013/04/09	product family	XCEDE HD	rel level	Released	
surface	ISO 1302	linear	0.X	±0.3		FCI XCEDE HD VERTICAL HEADER 3 PAIR, 4 COLUMN STITCH HEADER	dwg no 10119126	rev B	Product - Customer Drw		sheet 2 of 8			
		angular	0°	±2°					www.fci.com	cat. no.				
PDS: Rev :B STATUS:Released Printed: Apr 10, 2013														



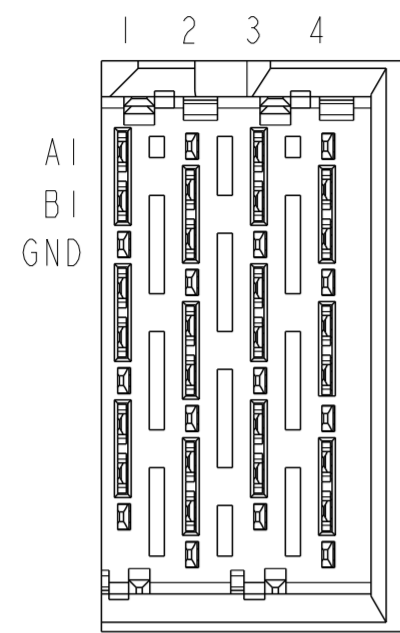
LEFT WALL MODULE



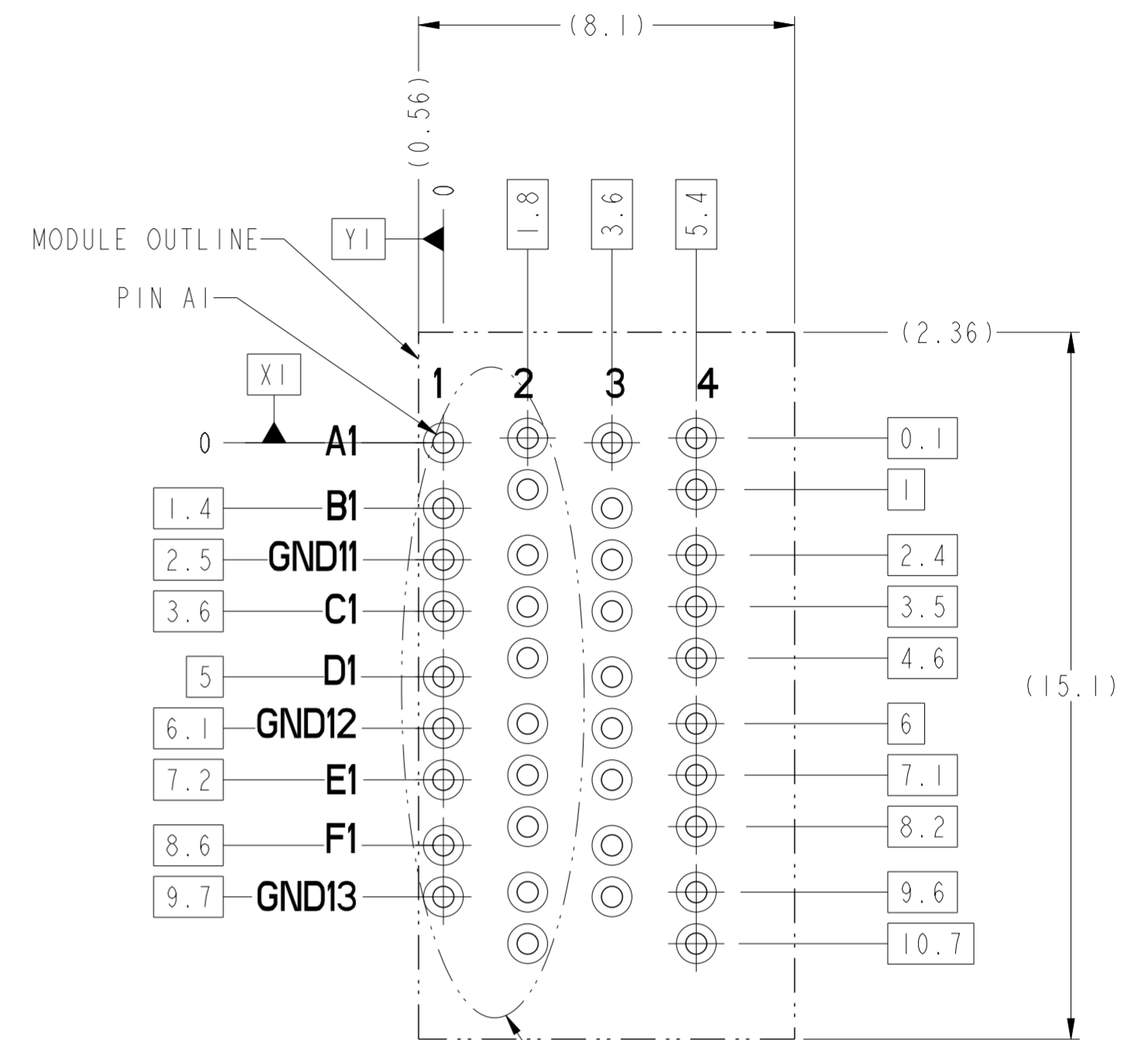
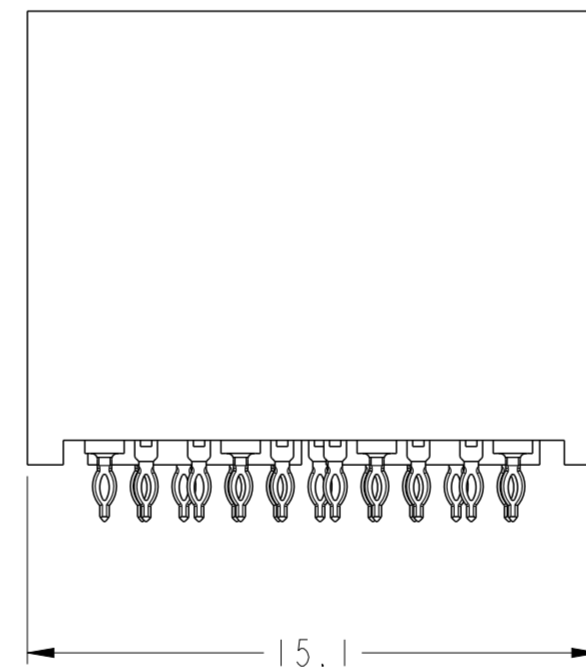
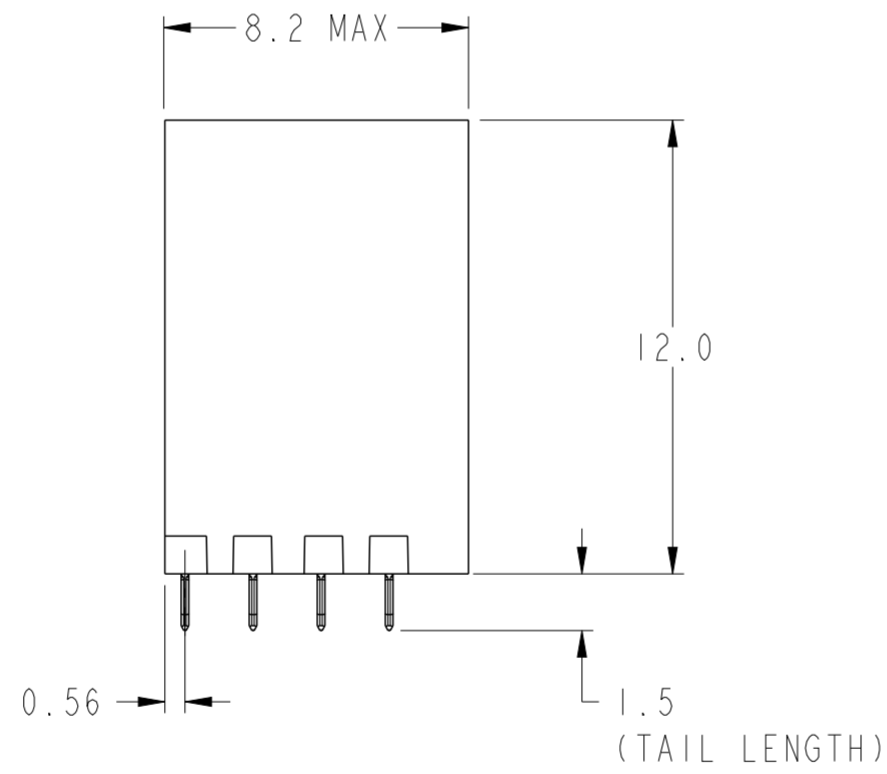
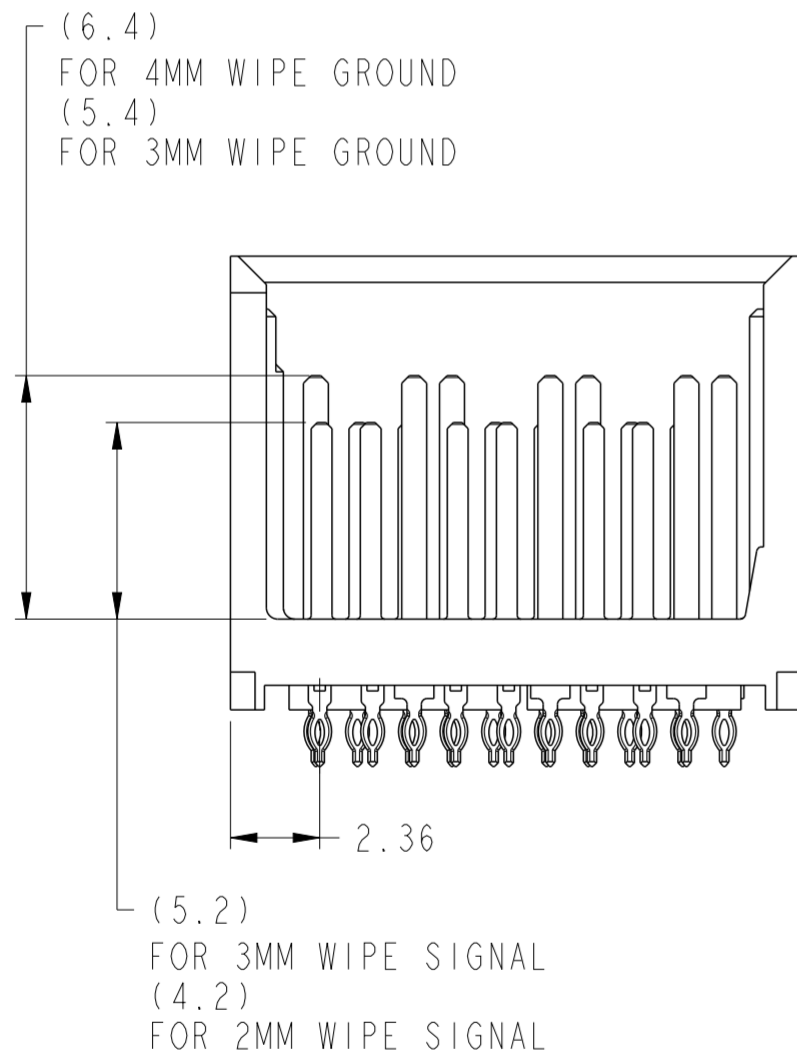
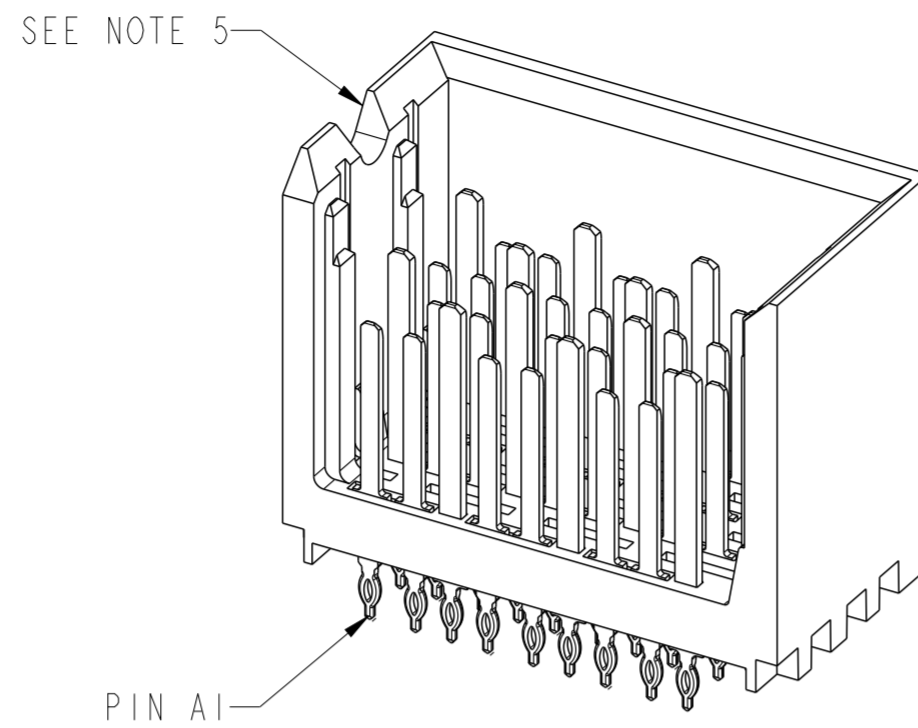
BP HOLE PATTERN COMPONENT SIDE
LEFT WALL MODULE BACKPLANE FOOTPRINT

Copyright FCI.

spec ref	-	dr	Marty Glass	2012/02/10	projection	MM	size	A2	scale	3:1
tolerance std	ISO 406 ISO 1101	eng	Sandar Soe	2013/03/20			ecn no	ELX-S-14229-1	rel level	Released
TOLERANCES UNLESS OTHERWISE SPECIFIED		chr	-	product family						
surface	ISO 1302	appr	Chen-Hong Tan	2013/04/09	title	XCEDE HD VERTICAL HEADER 3 PAIR, 4 COLUMN STITCH HEADER	dwg no	10119126	rev	B
	linear	0.X	±0.3		www.fci.com	cat. no.	Product - Customer Drw	sheet 3 of 8		
	angular	0°	±2°							

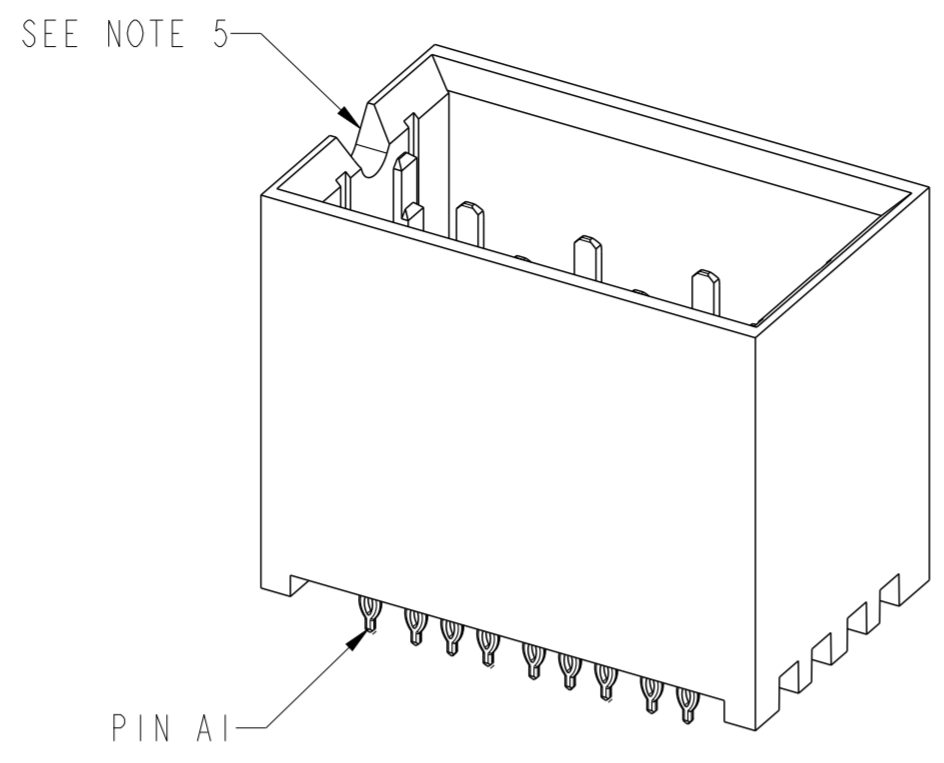
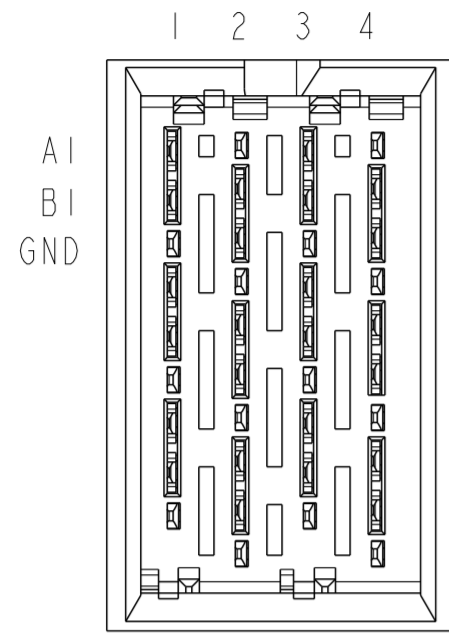


RIGHT WALL MODULE

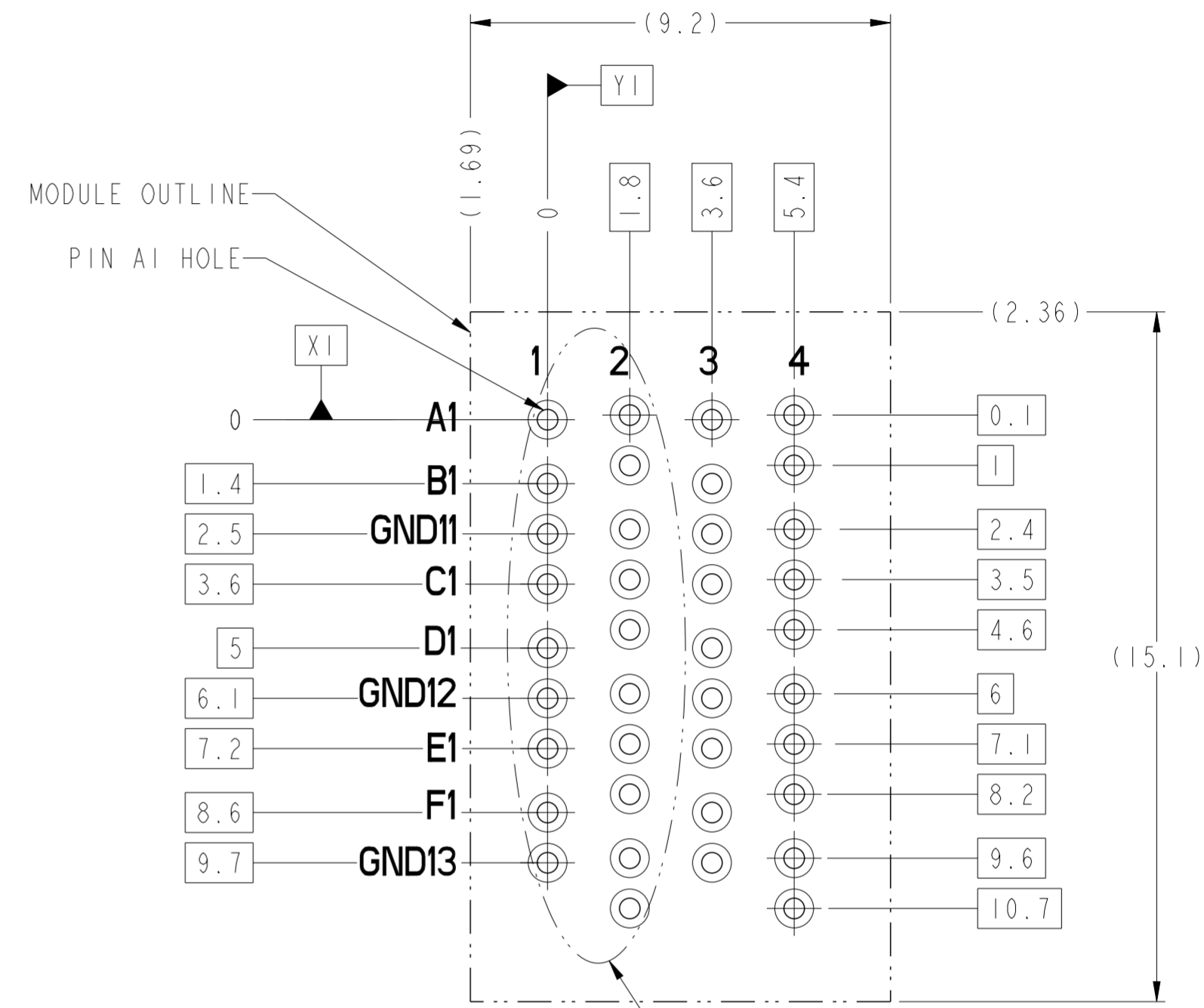


RIGHT WALL MODULE BACKPLANE FOOTPRINT

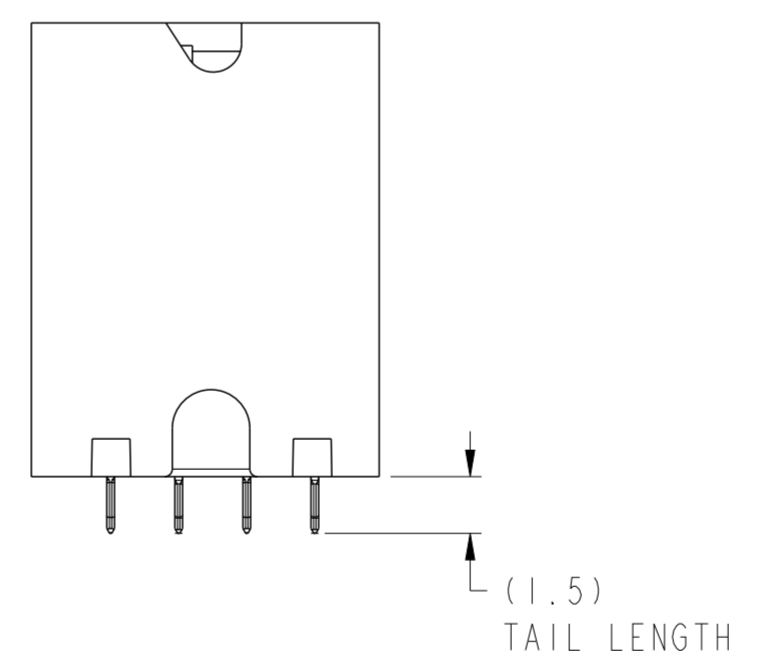
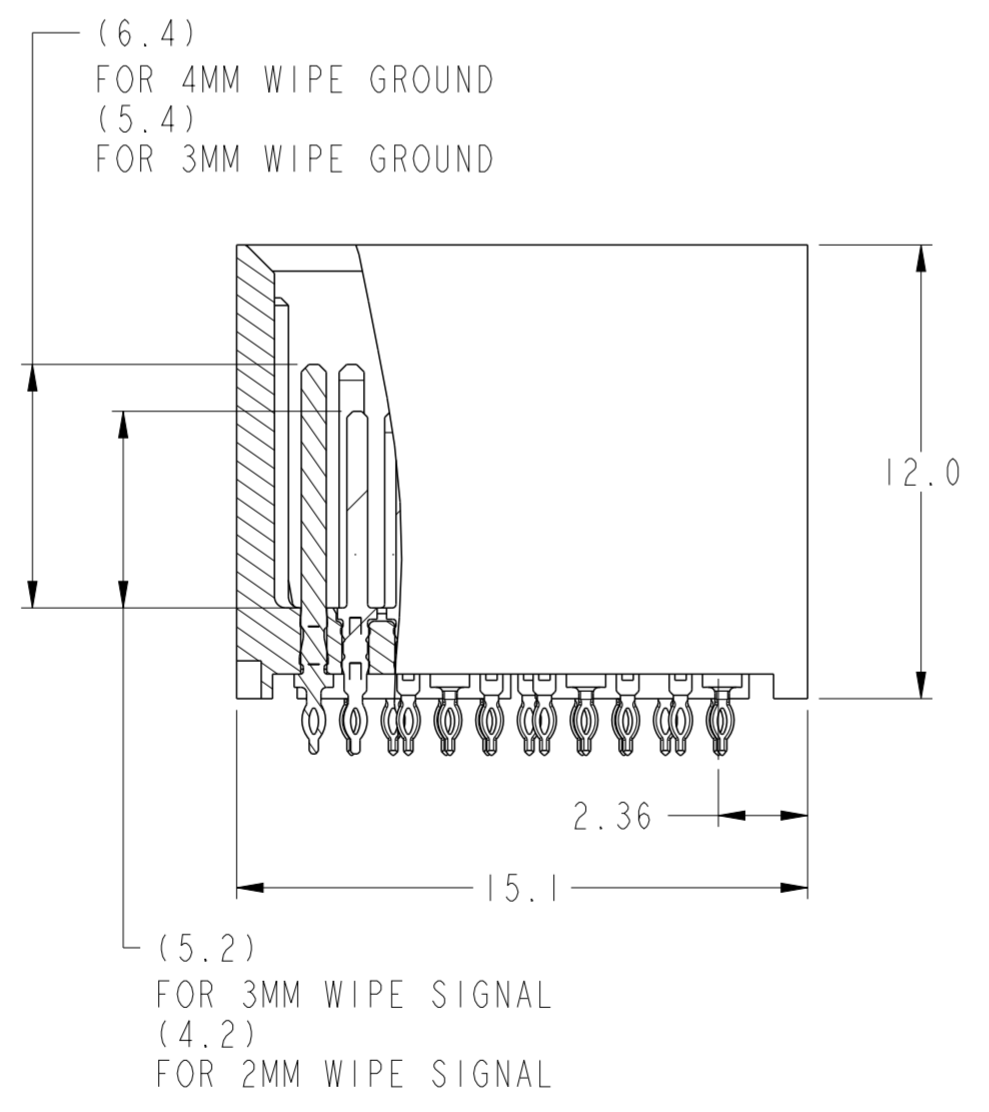
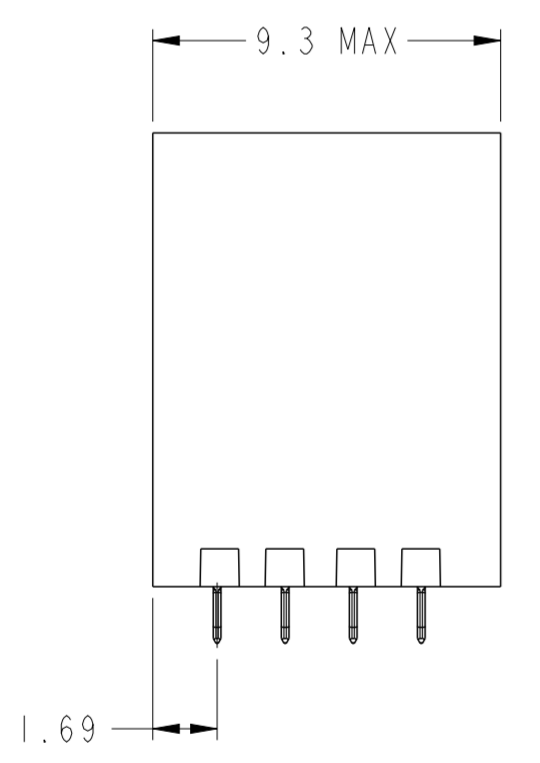
spec ref	-	dr	Mary Glass	2012/02/10	projection	MM	size	A2	scale	3:1
tolerance std	ISO 406 ISO 1101	eng	Sander Soe	2013/03/20			ecn no	ELX-S-14229-1		
surface	✓	chr	-	appr			Chen-Hong Tan	2013/04/09	product family	XCEDE HD
linear	0.X ±0.3 0.XX ±0.10 0.XXX ±0.05	angular	0° ±2°	www.fci.com	cat. no.	-	Product - Customer Drw	sheet 4 of 8	rev	B



FOUR WALL MODULE



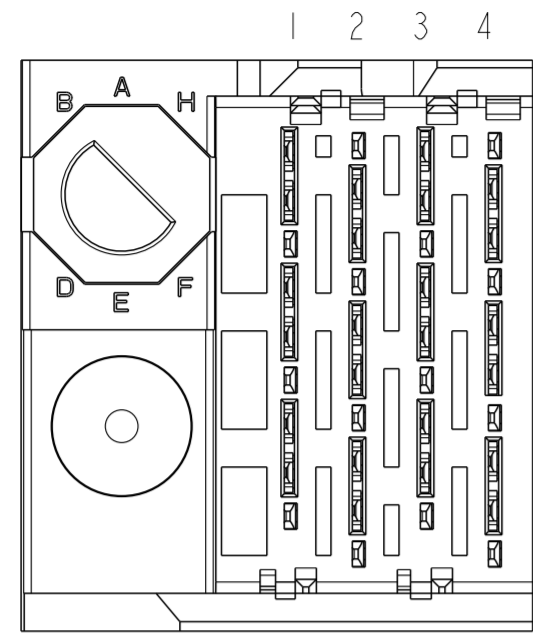
FOUR WALL MODULE BACKPLANE FOOTPRINT



SEE DETAIL A ON SHEET 8 FOR PINOUT DETAILS

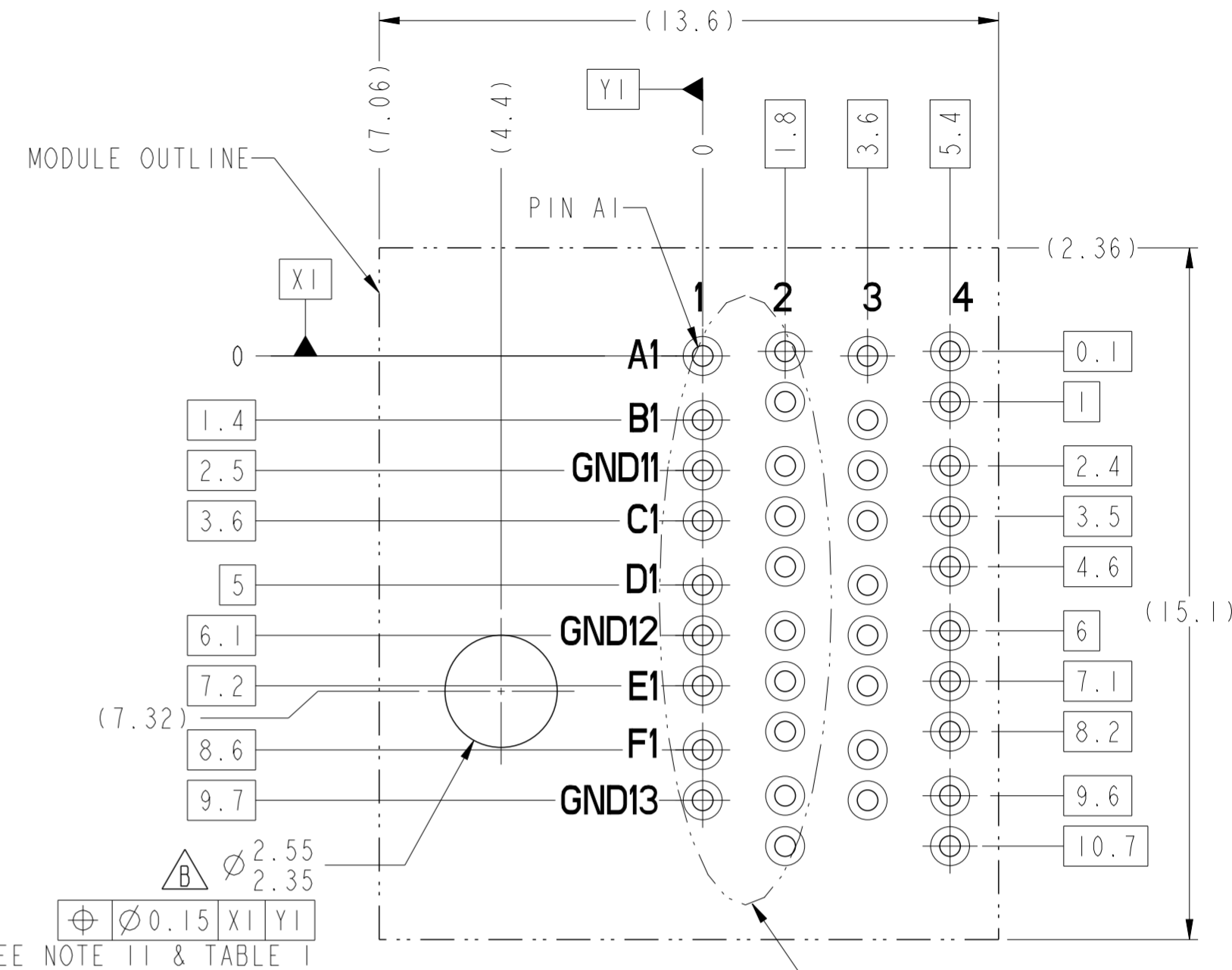
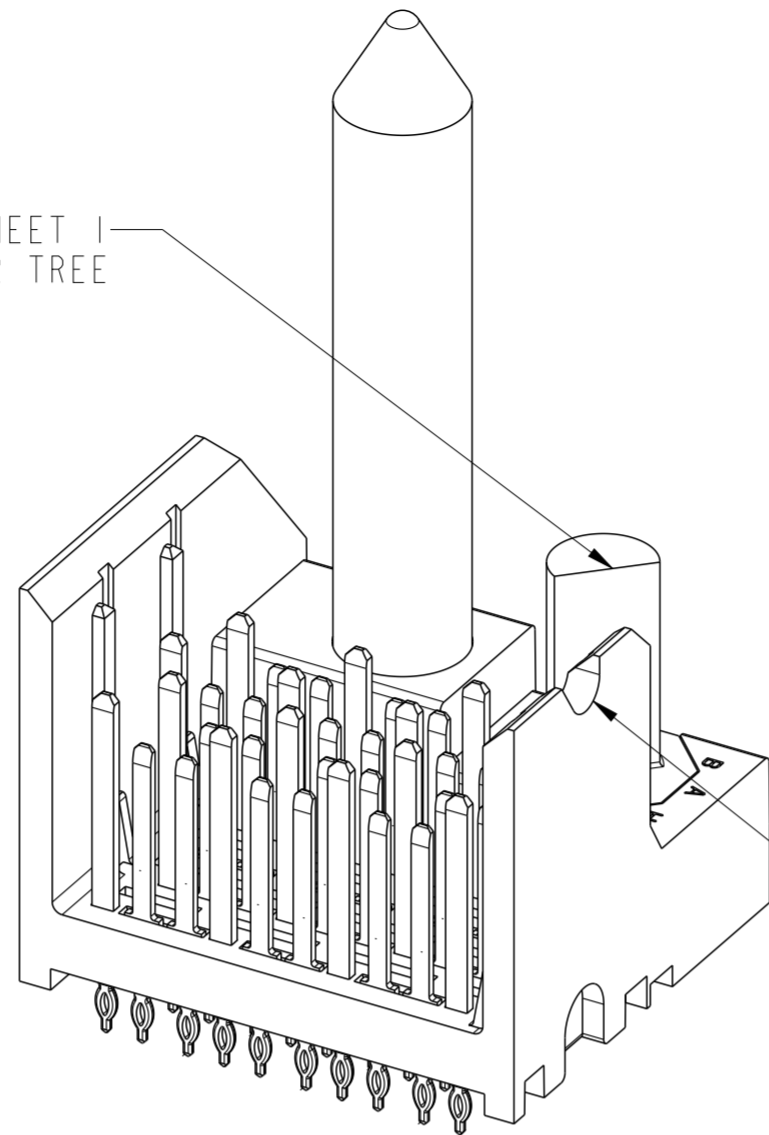
BP HOLE PATTERN COMPONENT SIDE

spec ref	-	dr	Marty Glass	2012/02/10	projection	MM	size	A2	scale	3:1
tolerance std	ISO 406 ISO 1101	eng	Sandar Soe	2013/03/20			ecn no	ELX-S-14229-1	rel level	Released
TOLERANCES UNLESS OTHERWISE SPECIFIED		chr	-	product family						
surface	ISO 1302	appr	Chen-Hong Tan	2013/04/09	product family	XCEDE HD	rel level	Released	title	XCEDE HD VERTICAL HEADER
	linear	0.X	±0.3		3 PAIR, 4 COLUMN STITCH HEADER	dwg no	10119126	rev	B	
		0.XX	±0.10		www.fci.com	cat. no.	Product - Customer Drw	sheet 5 of 8		
	angular	0°	±2°							



LEFT POLARIZING / GUIDE MODULE

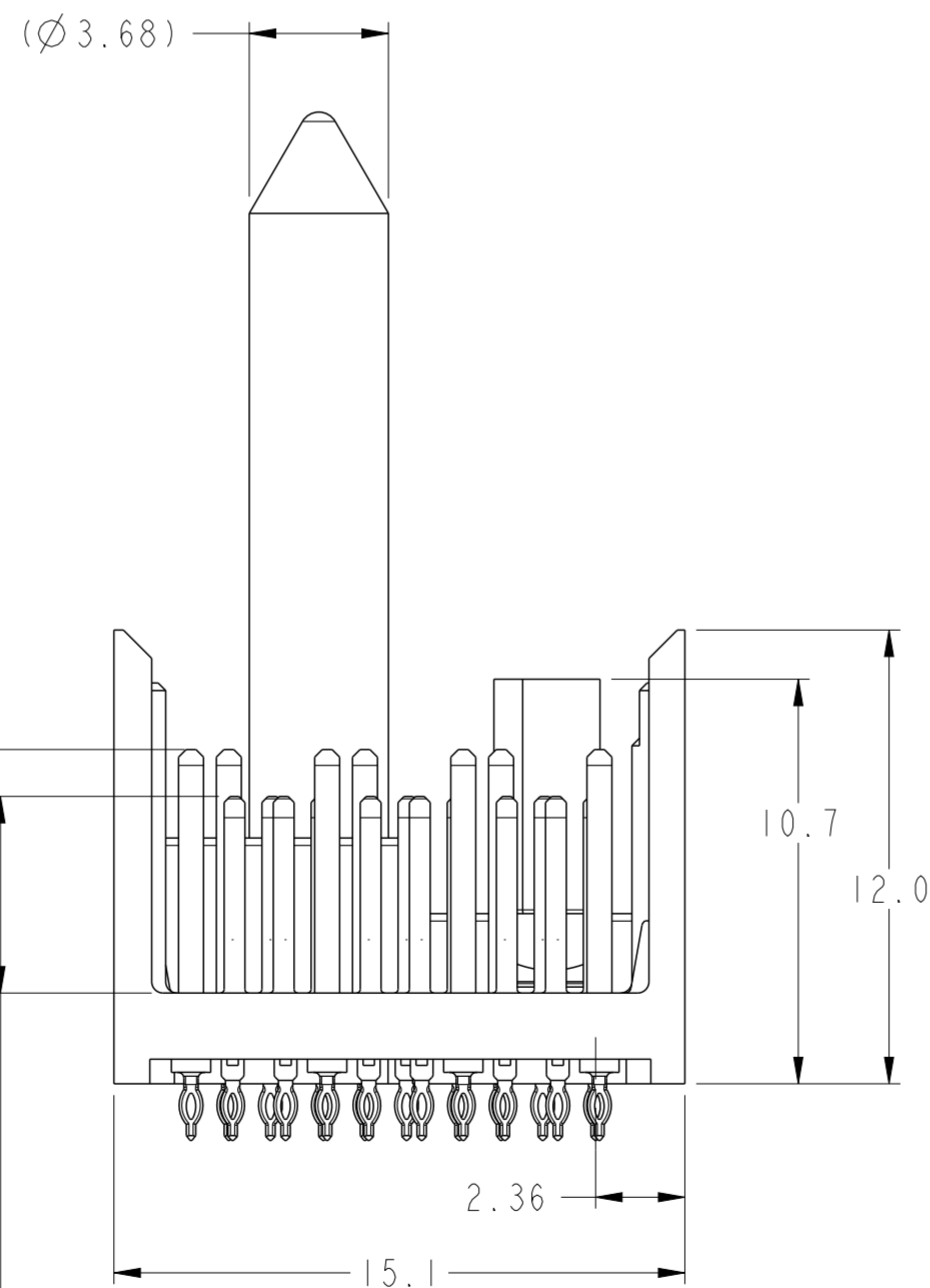
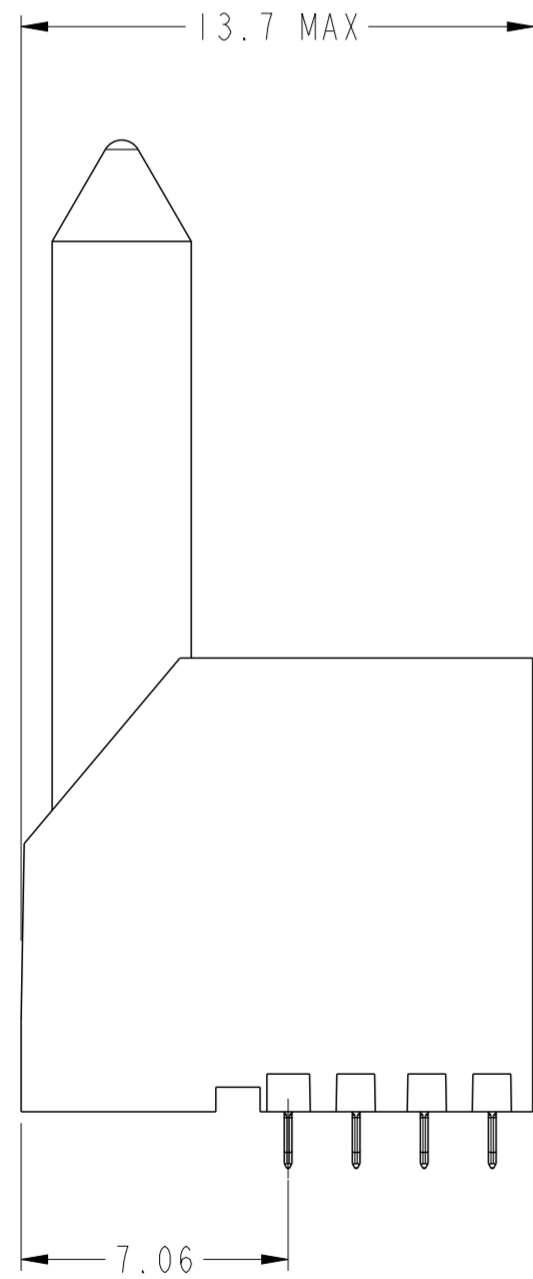
OPTIONAL KEY SEE SHEET 1
PART NUMBER TREE



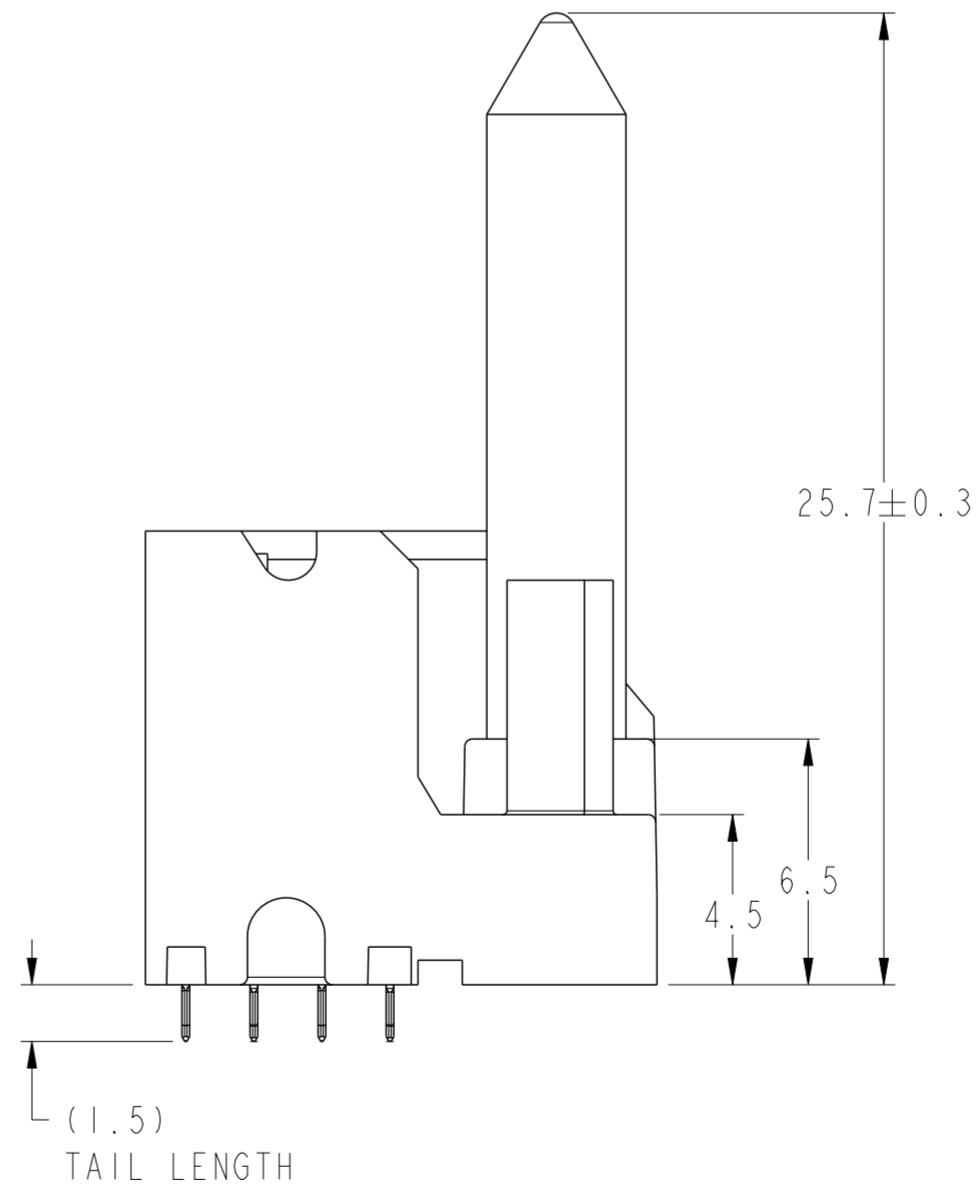
SEE DETAIL A
ON SHEET 8 FOR
PINOUT DETAILS

BP HOLE PATTERN COMPONENT SIDE

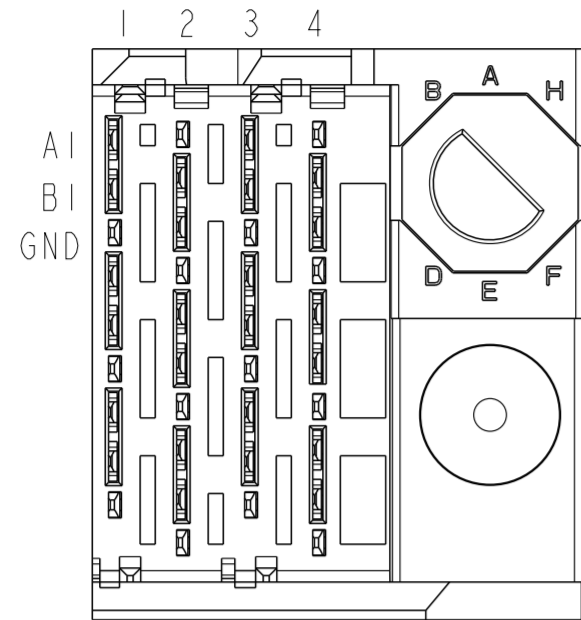
LEFT POLARIZING / GUIDE MODULE
BACKPLANE FOOTPRINT



(5.2)
FOR 3MM WIPE SIGNAL
(4.2)
FOR 2MM WIPE SIGNAL
(6.4)
FOR 4MM WIPE GROUND
(5.4)
FOR 3MM WIPE GROUND



spec ref	-	dr	Mary Glass	2012/02/10	projection	MM	size	A2	scale	5:1
tolerance std	ISO 406 ISO 1101	eng	Sander Soe	2013/03/20	chr	-	ecn no	ELX-S-14229-1	rel level	Released
surface	ISO 1302	appr	Chen-Hong Tan	2013/04/09	product family	XCEDE HD	rel level	Released	cat. no.	10119126
linear	0.X ±0.3 0.XX ±0.10 0.XXX ±0.05	angular	0° ±2°	www.fci.com	title	XCEDE HD VERTICAL HEADER 3 PAIR, 4 COLUMN STITCH HEADER	rev	B	Product - Customer Drw	sheet 6 of 8

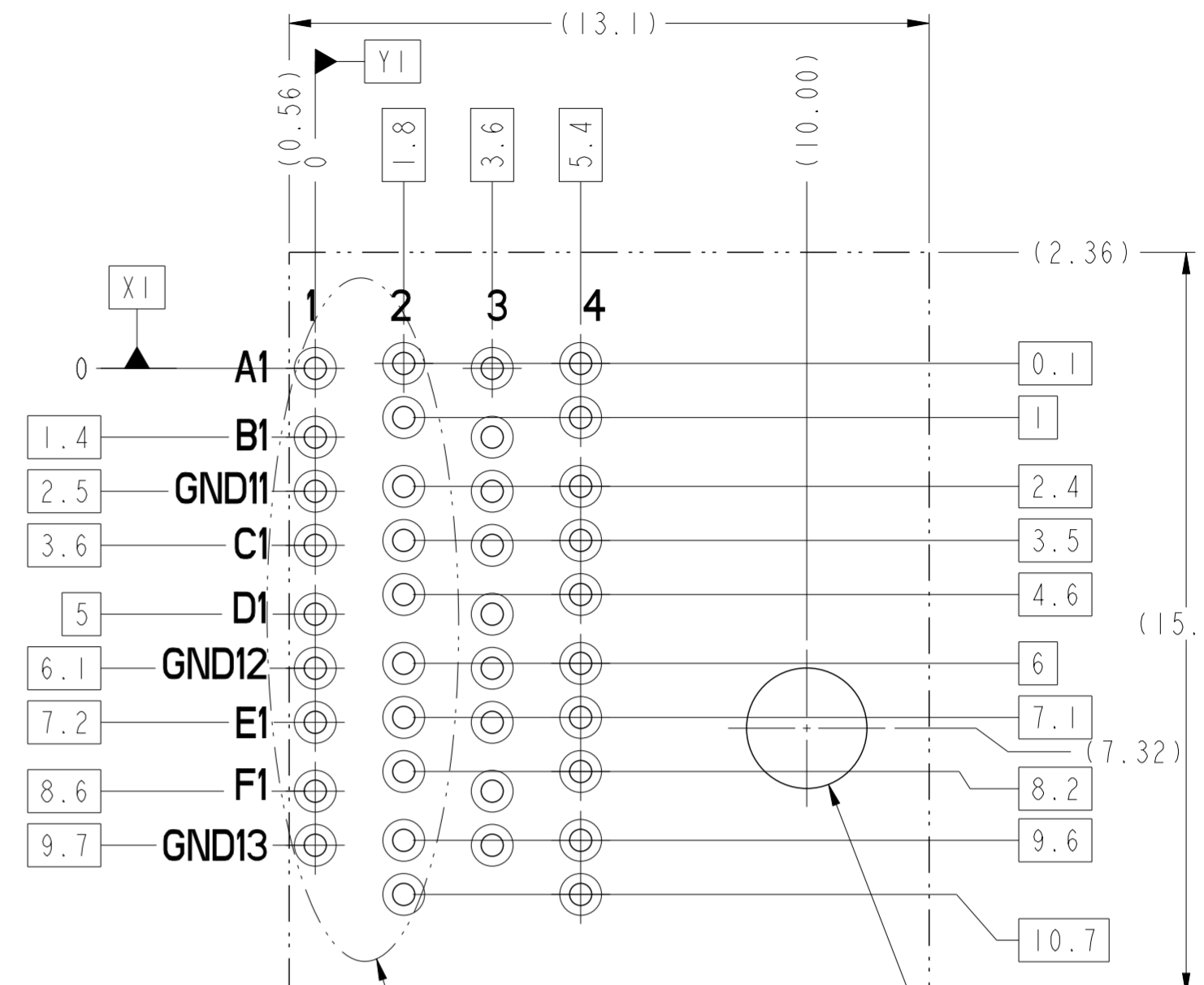
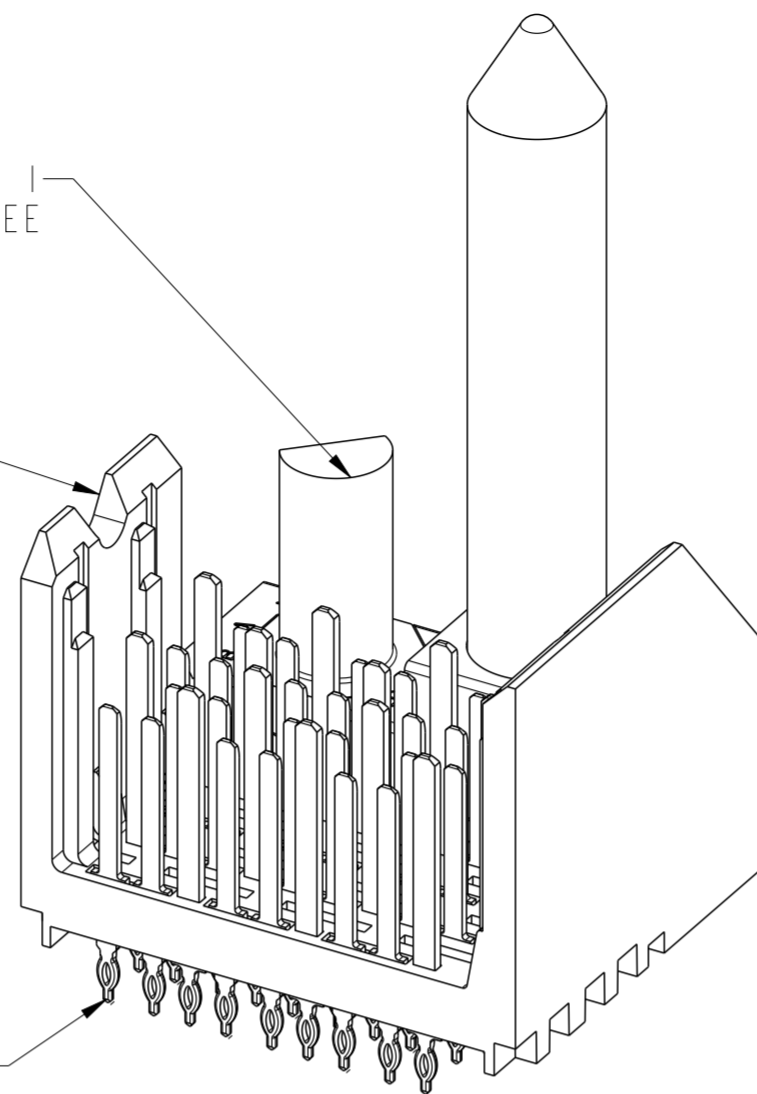


RIGHT POLARIZING / GUIDE MODULE

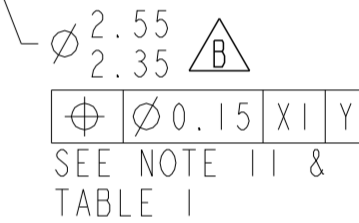
OPTIONAL KEY SEE SHEET 1
PART NUMBER TREE

SEE NOTE 5

PIN A1

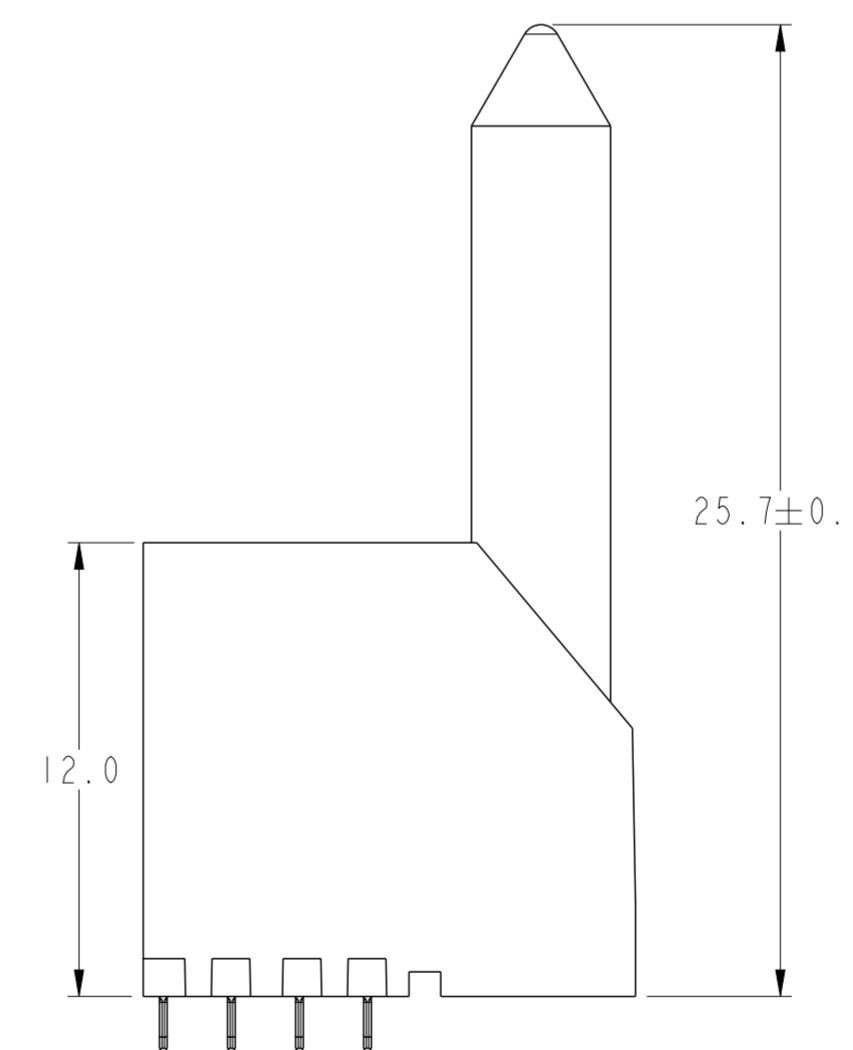
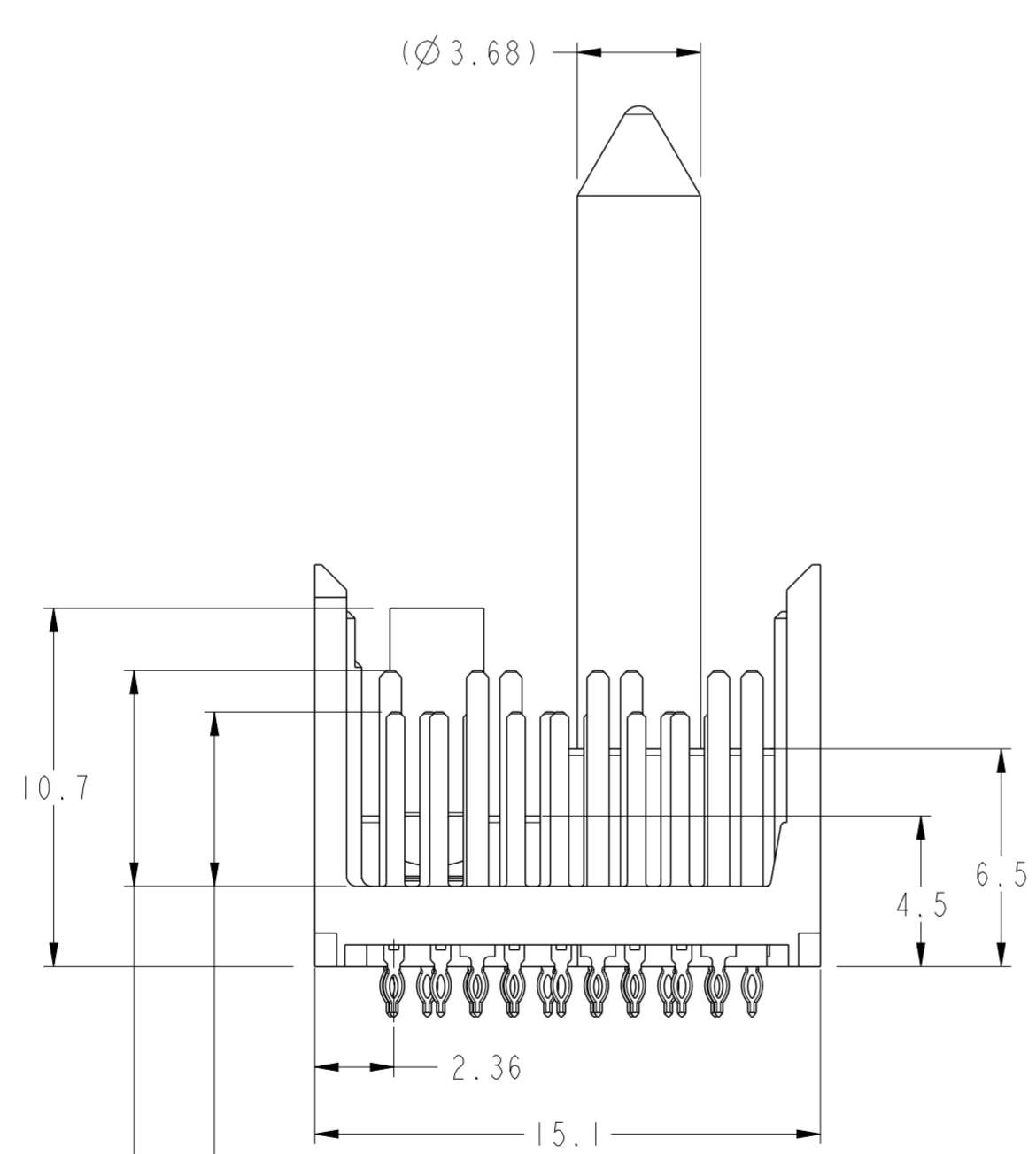
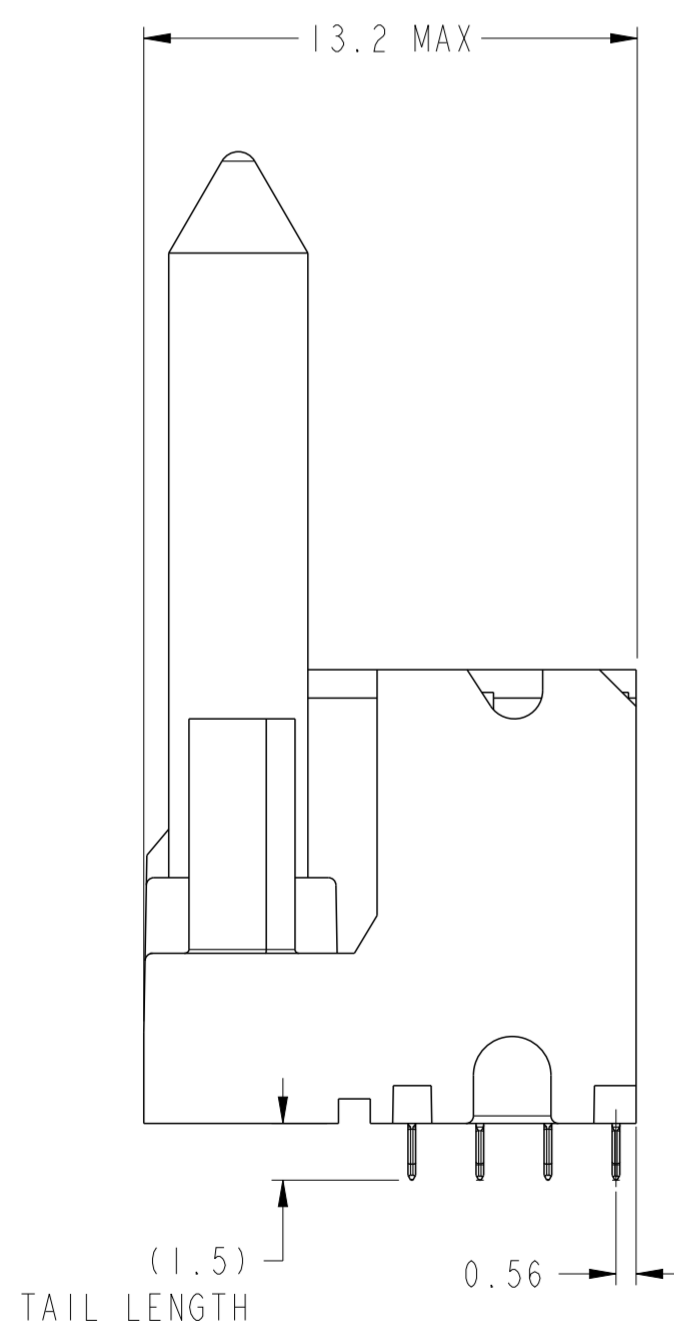


SEE DETAIL A
ON SHEET 8 FOR
PINOUT DETAILS



BP HOLE PATTERN COMPONENT SIDE

**RIGHT POLARIZING / GUIDE MODULE
BACKPLANE FOOTPRINT**



(5.2)
FOR 3MM WIPE SIGNAL
(4.2)
FOR 2MM WIPE SIGNAL
(6.4)
FOR 4MM WIPE GROUND
(5.4)
FOR 3MM WIPE GROUND

Copyright FCI.

spec ref	-	dr	Mary Glass	2012/02/10	projection	MM	size	A2	scale	5:1
tolerance std	ISO 406 ISO 1101	eng	Sander Soe	2013/03/20			ecn no	ELX-S-14229-1	rel level	Released
surface	ISO 1302	chr	-	apppr						
TOLERANCES UNLESS OTHERWISE SPECIFIED linear: 0.X ±0.3, 0.XX ±0.10, 0.XXX ±0.05 angular: 0° ±2°				title: XCEDE HD VERTICAL HEADER 3 PAIR, 4 COLUMN STITCH HEADER		cat. no.: 10119126		rev: B		

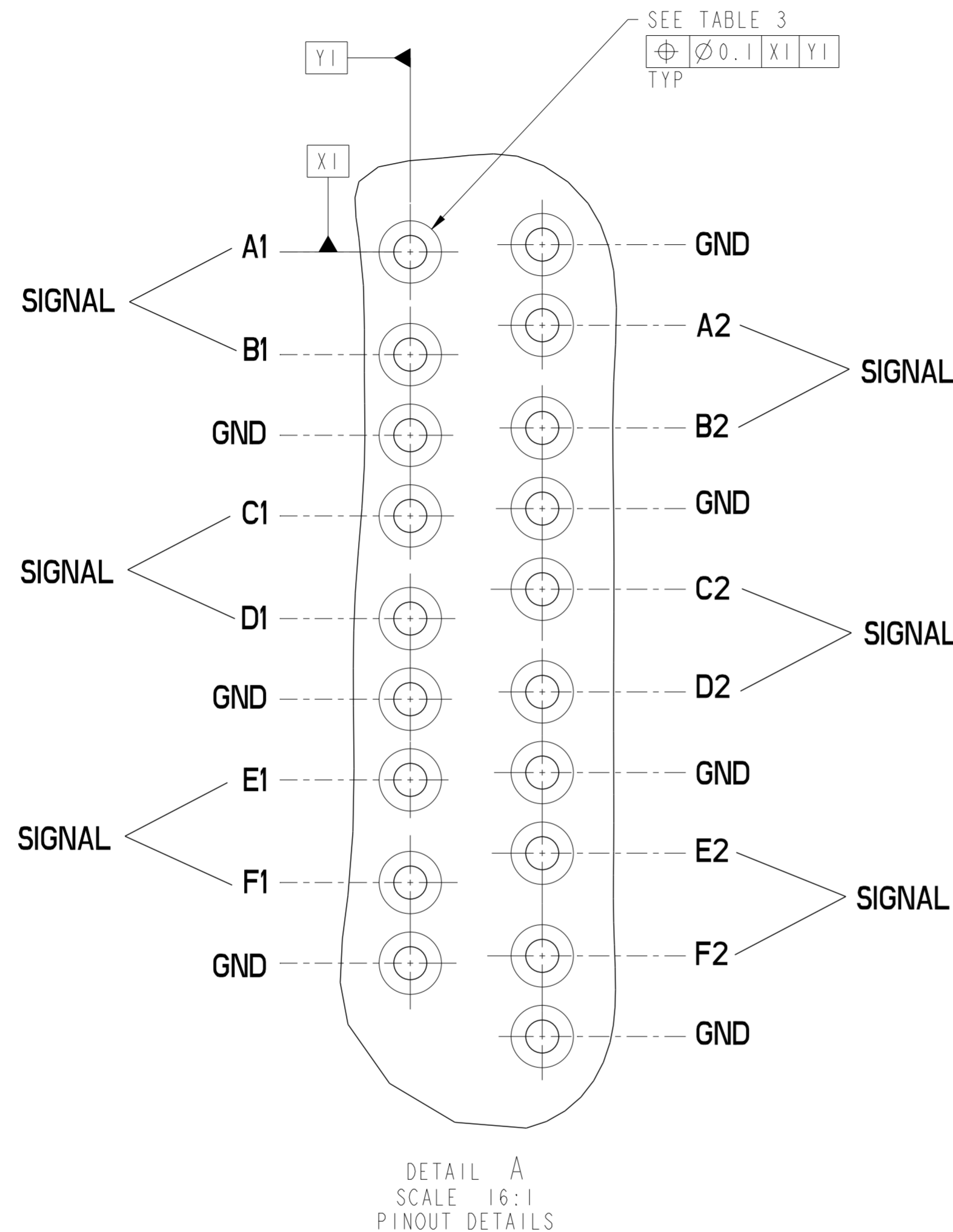


TABLE 3		
	COMPLIANT PIN DRILL $\varnothing 0.55$ [0.0217"]]	COMPLIANT PIN DRILL $\varnothing 0.45$ [0.0117"]]
PTH	$\varnothing 0.45 \pm 0.05$	$\varnothing 0.36 \pm 0.05$
DRILL	$\varnothing 0.55$ [0.0217"]]	$\varnothing 0.45$ [0.0117"]]
PAD	$\varnothing 0.85$	$\varnothing 0.75$

NOTES:

1. CONNECTOR MATERIALS
 SHROUD : HIGH-TEMP POLYMER, COLOR : BLACK, UL94V-0
 CONTACTS : HIGH PERFORMANCE COPPER ALLOY
2. PRODUCT SPECIFICATION : GS-12-0936
3. APPLICATION SPECIFICATION : GS-20-0348
4. PRODUCT MARKING :
 PART NUMBER (10119126-X0J-XXXLF)
 "FCI" AND DATE CODE (FCI P#####)
5. NOTCH DESIGNATES "ROW A" SIDE OF CONNECTOR. NOTCH FEATURE ON OPPOSITE FOR PRODUCT MARKING.
6. PLATING THICKNESS OF SIGNAL & GROUND CONTACT ARE DETERMINED BY PLATING CODE, REFER TO P/N TREE ON SHEET 1.
7. PACKAGING MEETS GS-14-920 LEAD-FREE LABELING SPECIFICATION.
8. GUIDE-PIN STYLE DESIGNATION ONLY APPLIES TO MODULE VERSIONS THAT REQUIRE GUIDE-PIN HARDWARE. FOR ALL NON-GUIDE-PIN VERSIONS, THE DEFAULT DASH-NUMBER DIGIT IN THAT LOCATION IS STILL '0'.
9. SEE APPLICATION SPECIFICATION FOR ROUTING GUIDELINES, ADDITIONAL PTH GUIDELINES, MATED DIMENSIONS, GUIDE PIN SELECTION, ETC.
10. A $\triangle B$ SYMBOL WILL BE NEXT TO ANY DIMENSION, VIEW OR NOTE THAT HAS BEEN MODIFIED WITH THE CURRENT DRAWING REVISION.
- $\triangle B$ 11. OPTIONAL HOLE LOCATION FOR GROUNDED PIN OR ADDITIONAL GUIDE-PIN SUPPORT. SEE TABLE 1 SHEET 1 FOR ADDITIONAL DETAILS.
- $\triangle B$ 12. SCREW IS OPTIONAL AND ENGAGES WITH BOTTOM OF GUIDE PIN FROM BENEATH THE PCB FOR ADDITIONAL GUIDE-PIN SUPPORT.

Copyright FCI. FCI

spec ref	-	dr	Marty Glass	2012/02/10	projection	MM	size	A2	scale	3:1	
tolerance std	ISO 406 ISO 1101	eng	Sander Soe	2013/03/20			ecn no	ELX-S-14229-1			
TOLERANCES UNLESS OTHERWISE SPECIFIED		chr	-	appr			Chen-Hong Tan	2013/04/09	rel level	Released	
surface	ISO 1302	linear	0.X	± 0.3			product family	-	title	XCEDE HD VERTICAL HEADER	
			0.XX	± 0.10			cat. no.	-	3 PAIR, 4 COLUMN STITCH HEADER	diag no	10119126
		angular	0°	$\pm 2^\circ$			Product - Customer Drw	-	rev	B	
							sheet 8 of 8				