



Chipsmall Limited consists of a professional team with an average of over 10 year of expertise in the distribution of electronic components. Based in Hongkong, we have already established firm and mutual-benefit business relationships with customers from,Europe,America and south Asia,supplying obsolete and hard-to-find components to meet their specific needs.

With the principle of "Quality Parts,Customers Priority,Honest Operation,and Considerate Service",our business mainly focus on the distribution of electronic components. Line cards we deal with include Microchip,ALPS,ROHM,Xilinx,Pulse,ON,Everlight and Freescale. Main products comprise IC,Modules,Potentiometer,IC Socket,Relay,Connector.Our parts cover such applications as commercial,industrial, and automotives areas.

We are looking forward to setting up business relationship with you and hope to provide you with the best service and solution. Let us make a better world for our industry!



Contact us

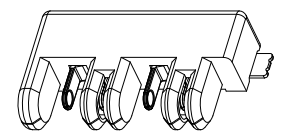
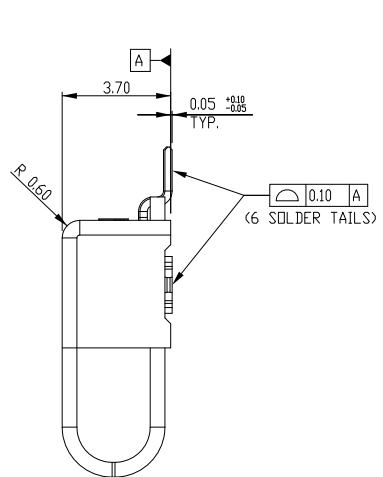
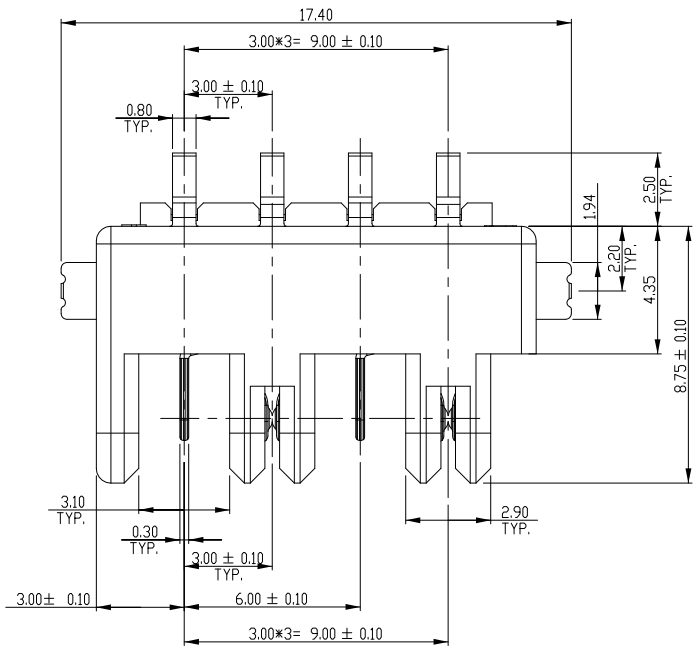
Tel: +86-755-8981 8866 Fax: +86-755-8427 6832

Email & Skype: info@chipsmall.com Web: www.chipsmall.com

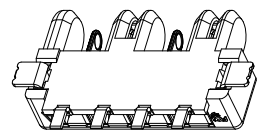
Address: A1208, Overseas Decoration Building, #122 Zhenhua RD., Futian, Shenzhen, China



PART NUMBER
10120045-400LF

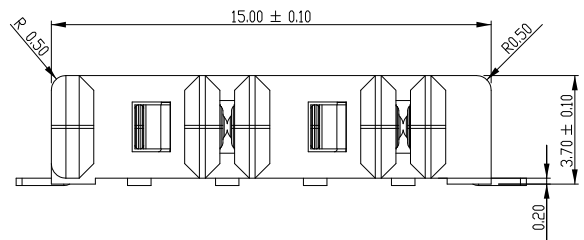


SCALE 2,000



SCALE 2,000

NOTES:
 1. MATERIAL:
 HOUSING: HIGH TEMPERATURE LCP, NATURAL
 UL 94 V-0 FLAME RETARDANT.
 CONTACTS: COPPER ALLOY.
 PLATING SPEC AS BELOW:
 FOR CONTACT AREA:
 * 0.76um GXT™ (30°GXT™);
 FOR SOLDER AREA:
 MATTE PURE TIN 3 um MIN.
 FOR UNDERPLATING:
 1.27 um MIN. THICKNESS NICKEL
 2. PRODUCT SPEC. GS-12-1079.
 3. LEAD FREE NOTES:
 3a. THE HOUSING WILL WITHSTAND EXPOSURE TO 260°C PEAK
 TEMPERATURE FOR 10 SECONDS IN A CONVECTION, INFRA-RED
 OR VAPOR PHASE REFLOW OVEN.
 3b. THIS PRODUCT MEETS EUROPEAN UNION DIRECTIVES AND
 OTHER COUNTRY REGULATIONS AS DESCRIBED IN GS-22-008.
 * GXT™ is an FCI Electronics patented process of palladium-nickel alloy plated with a gold flash.



SCALE 4,000

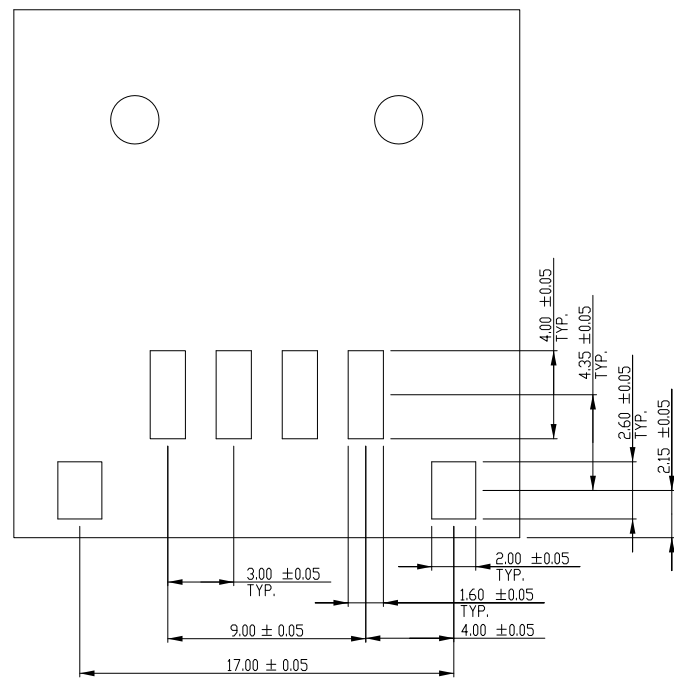


Copyright FCI.

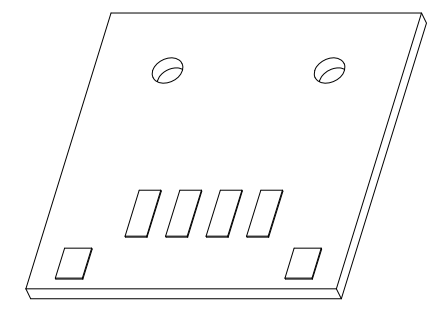
| rev | ecn no | dr | date |
|-----|--------|-----|------------|
| A | - | MJA | 2013-06-10 |
| - | - | - | - |
| - | - | - | - |
| - | - | - | - |
| - | - | - | - |
| - | - | - | - |
| - | - | - | - |

| | | | | | | |
|--------------------|-------------|------------|---|-----------------------------------|------------------|--------------|
| www.fciconnect.com | | | surface ISO 1302 | tolerance std ISO 406 ISO 1101 | projection MM | MM |
| | | | TOLERANCES UNLESS OTHERWISE SPECIFIED | | | |
| Dr | M JACOB | 2013-06-10 | ANGULAR | 0.X ±X | size | Scale |
| Eng | M JACOB | 2013-06-10 | LINEAR | 0.XX ±0.2 | A4 | 4,000 |
| Chr | M JACOB | 2013-06-10 | 0° ±2' | 0.XXX ±X | ECN | - |
| Appr | BIJU K PAUL | 2013-06-10 | Product family-RotaConnect | | Spec ref | - |
| FCI | | | title ASSEMBLY 4 POS HOR TYPE ROTATABLE BOARD TO BOARD CONNECTOR | | dwg no | Rev. |
| | | | catalog no : 10120045-400LF | | 10120045-400C | A |
| | | | | | CUSTOMER DRAWING | sheet 1 of 3 |

PART NUMBER
10120045-400LF



SCALE 3.000



SCALE 2.000

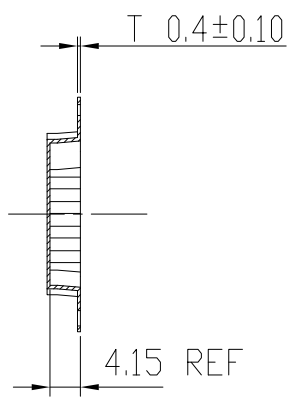


Copyright FCI.

| | | | | | | | | |
|--------------------|-------------|------------|---------------------------------------|-------------------------------------|-----------------------------------|-------------------------------|------------|----------------|
| www.fciconnect.com | | | surface ISO 1302 | <input checked="" type="checkbox"/> | tolerance std ISO 406 ISO 1101 | projection ISO 10 | MM ↔ | |
| | | | TOLERANCES UNLESS OTHERWISE SPECIFIED | | | | size A4 | Scale 3.000 |
| Dr | M JACOB | 2013-06-10 | ANGULAR | LINEAR | 0.X ± X | ECN | | |
| Eng | M JACOB | 2013-06-10 | 0° ± 2' | | 0.XX ± 0.2 | Spec ref | | |
| Chr | M JACOB | 2013-06-10 | Product family-RotaConnect | | | - | | |
| Appr | BIJU K PAUL | 2013-06-10 | Product family-RotaConnect | | | - | | |
| | | | title ASSEMBLY 4 POS HOR TYPE | | | Rev. A | | |
| | | | ROTATABLE BOARD TO BOARD CONNECTOR | | | 10120045-400C | | |
| | | | catalog no : 10120045-400LF | | | CUSTOMER DRAWING sheet 2 of 3 | | |

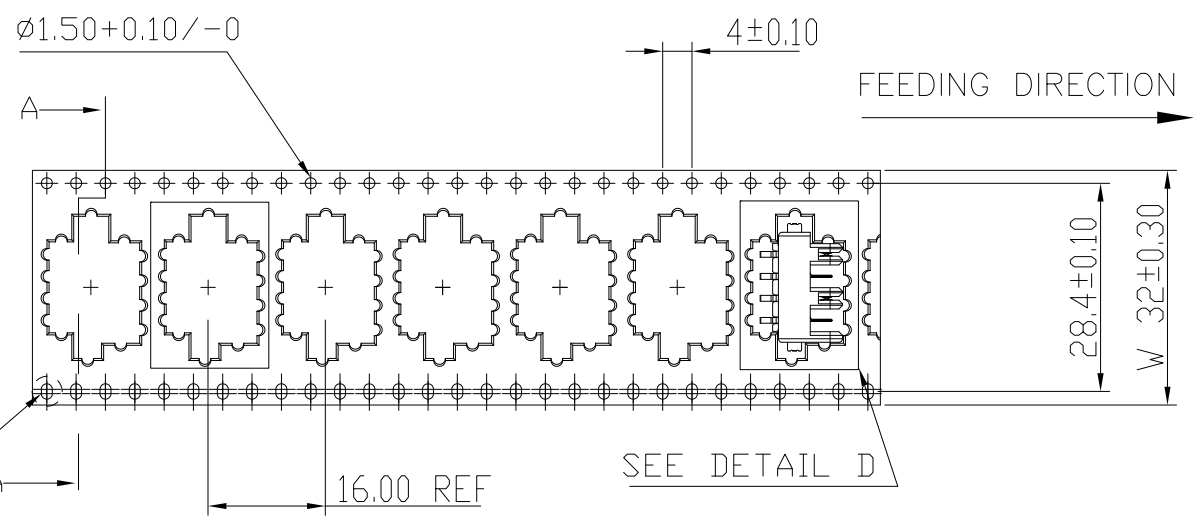
| rev | ecn no | dr | date |
|-----|--------|----|------|
| - | - | - | - |
| - | - | - | - |
| - | - | - | - |
| - | - | - | - |
| - | - | - | - |
| - | - | - | - |

PART NUMBER
10120045-400LF

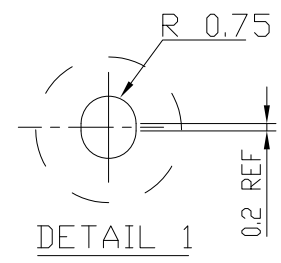
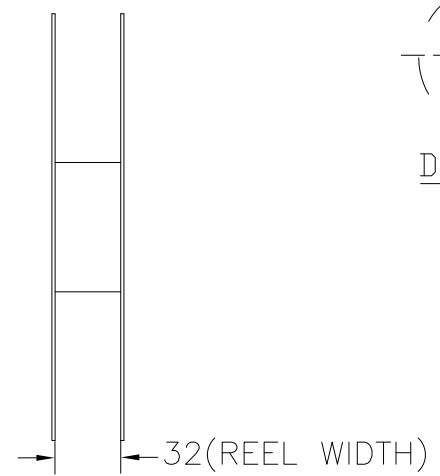
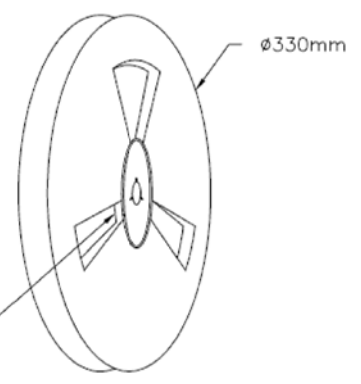


SECTION A-A

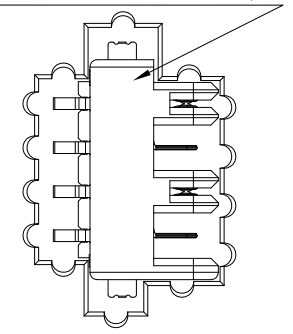
SEE DETAIL 1



Copyright FCI.



Component inside carrier tape



DETAIL D
SCALE 2:1

NOTES :

1. MATERIAL : ANTI-STATIC POLYSTYRENE
2. PACKAGING AS PER EIA-481 STD.
3. QTY PER REEL : 975 NOS

| | | | | | | | | |
|--------------------|-------------|---|---------------------------------------|--------|--------------------------|----------|------------------|-------|
| www.fciconnect.com | | | surface ISO 1302 | ✓ | tolerance std ISO 406 | ISO 1101 | projection MM | ↔ |
| | | | TOLERANCES UNLESS OTHERWISE SPECIFIED | | | | ⊕ | ↔ |
| Dr | M JACOB | 2013-06-10 | ANGULAR | | 0.X | ±X | size | Scale |
| Eng | M JACOB | 2013-06-10 | | LINEAR | 0.XX | ±0.2 | A4 | 1.000 |
| Chr | M JACOB | 2013-06-10 | 0° | ±2° | 0.XXX | ±X | ECN | - |
| Appr | BIJU K PAUL | 2013-06-10 | Product family - RotaConnect | | | | Spec ref | - |
| | | title ASSEMBLY 4 POS HOR TYPE ROTATABLE BOARD TO BOARD CONNECTOR | | | dwg no 10120045-400C | | Rev. A | |
| | | catalog no : 10120045-400LF | | | CUSTOMER DRAWING | | sheet 3 of 3 | |