



Chipsmall Limited consists of a professional team with an average of over 10 year of expertise in the distribution of electronic components. Based in Hongkong, we have already established firm and mutual-benefit business relationships with customers from,Europe,America and south Asia,supplying obsolete and hard-to-find components to meet their specific needs.

With the principle of “Quality Parts,Customers Priority,Honest Operation,and Considerate Service”,our business mainly focus on the distribution of electronic components. Line cards we deal with include Microchip,ALPS,ROHM,Xilinx,Pulse,ON,Everlight and Freescale. Main products comprise IC,Modules,Potentiometer,IC Socket,Relay,Connector.Our parts cover such applications as commercial,industrial, and automotives areas.

We are looking forward to setting up business relationship with you and hope to provide you with the best service and solution. Let us make a better world for our industry!



Contact us

Tel: +86-755-8981 8866 Fax: +86-755-8427 6832

Email & Skype: info@chipsmall.com Web: www.chipsmall.com

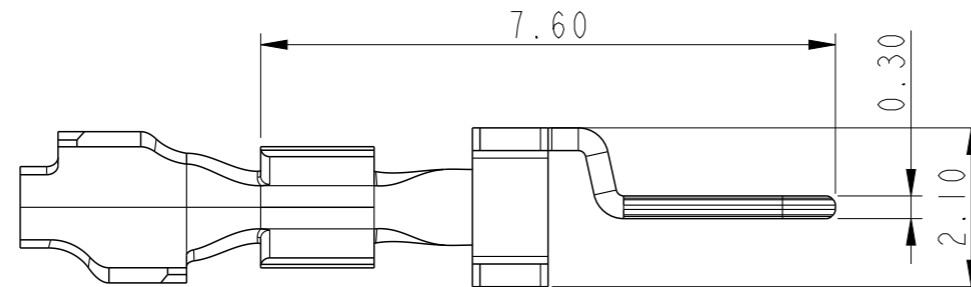
Address: A1208, Overseas Decoration Building, #122 Zhenhua RD., Futian, Shenzhen, China



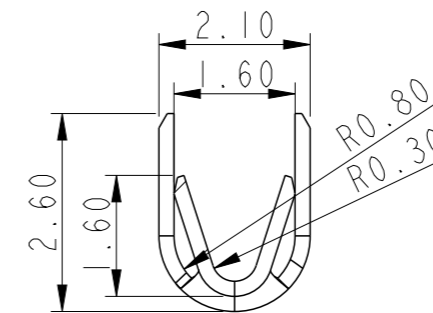
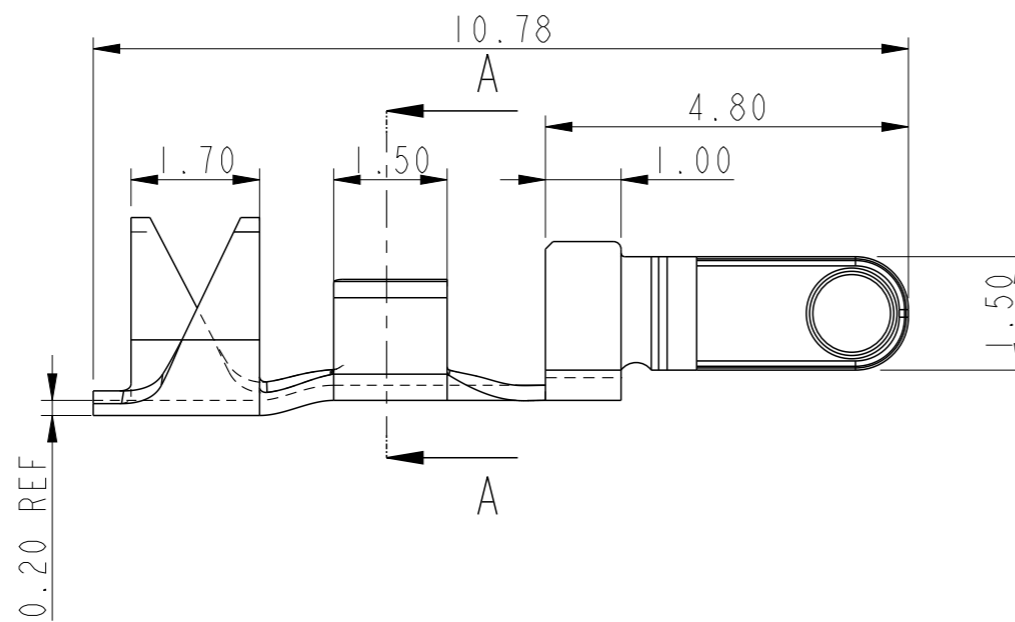
LOOSE PIECE	10120045-P01LF
ON STRIP	10120045-P02LF

NOTE:-

1. TERMINAL MATERIAL: COPPER ALLOY
2. PLATING FINISH:
AU/GXT OVER NICKEL IN CONTACT AREA
TIN OVER NICKEL IN TERMINAL AREA
3. LEAD FREE OR RoHS DIRECTIVE LABELING TO BE PROVIDED AS PER GS-14-920
4. "LF" SUFFIX TO THE PRODUCT NUMBER FOR RoHS COMPATIBLE/LEAD FREE VERSION
5. THIS PRODUCT MEETS EUROPEAN UNION DIRECTIVES AND OTHER COUNTRY REGULATIONS AS DESCRIBED IN GS-47-0004
6. WIRE RANGE: 22~30 AWG, STRANDED
7. MAX INSULATION DIA: 1.5
8. THIS PRODUCT HAS NOT COMPLETED VALIDATION TESTING

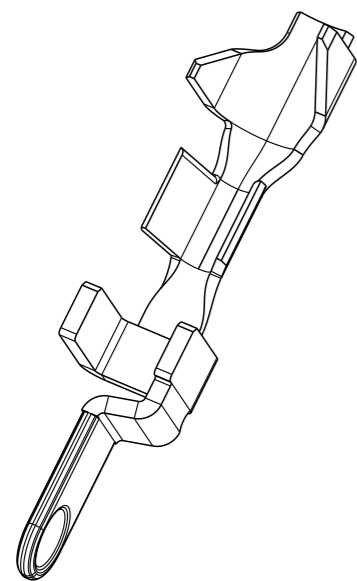


SCALE 10:1



SECTION A-A

PRELIMINARY



SCALE 8:1

spec ref		dr	Mathew Jacob	2015/03/30	projection	MM	size	A3	scale	10:1
tolerance std		eng	Mathew Jacob	2015/07/06			ecn no	rel level	Preliminary	
ISO 406 ISO 1101		chr	-	-					Product family	
surface	linear	0.X	±0.20		CTW PLUG TERMINAL WIRE TO BOARD CONNECTOR		dwg no	10120045-P0X	rev	
		0.XX	±0.13						1	
0.XXX	±0.05	cat. no.							SEE TABLE	Product - Customer Drw
ISO 1302	angular	0°	±2°	www.fci.com						