



Chipsmall Limited consists of a professional team with an average of over 10 year of expertise in the distribution of electronic components. Based in Hongkong, we have already established firm and mutual-benefit business relationships with customers from,Europe,America and south Asia,supplying obsolete and hard-to-find components to meet their specific needs.

With the principle of "Quality Parts,Customers Priority,Honest Operation,and Considerate Service",our business mainly focus on the distribution of electronic components. Line cards we deal with include Microchip,ALPS,ROHM,Xilinx,Pulse,ON,Everlight and Freescale. Main products comprise IC,Modules,Potentiometer,IC Socket,Relay,Connector.Our parts cover such applications as commercial,industrial, and automotives areas.

We are looking forward to setting up business relationship with you and hope to provide you with the best service and solution. Let us make a better world for our industry!



Contact us

Tel: +86-755-8981 8866 Fax: +86-755-8427 6832

Email & Skype: info@chipsmall.com Web: www.chipsmall.com

Address: A1208, Overseas Decoration Building, #122 Zhenhua RD., Futian, Shenzhen, China



10120124 - X0E - XXXLF

LEAD-FREE DESIGNATION ONLY WITH APPLICABLE PLATING CODES

8-COLUMN DIFFERENTIAL SIGNAL

LETTER	PLATING (SEE NOTE 6)	
	APPLICATION	TYPE (REFERENCE)
B	TELCORDIA CO	0.76µm GOLD or GXT
C	TELCORDIA UE	1.27µm GOLD
D	TELCORDIA CO	0.76µm GOLD or GXT, LEAD-FREE
E	TELCORDIA UE	1.27µm GOLD, LEAD-FREE

NUMBER	GUIDE PIN STYLE (SEE NOTE 8)
0	STANDARD GUIDE PIN, MACHINED
1	STANDARD GUIDE PIN, ROLLED

MODULE DESCRIPTION	LETTER DESIGNATION REPRESENTED IN DASH NUMBER										BASE MODULE
LEFT POLARIZING GUIDANCE MODULE (SEE SHEET 6)	N	J	A	B	C	D	E	F	G	H	
	NO KEY NO GUIDE PIN										
RIGHT POLARIZING GUIDANCE MODULE (SEE SHEET 7)	Z	Y	P	Q	R	S	T	U	V	W	
	NO KEY NO GUIDE PIN										
OPEN MODULE (TWO WALL) (SEE SHEET 2)	0 (ZERO)										
LEFT WALL MODULE (SEE SHEET 3)	L										
RIGHT WALL MODULE (SEE SHEET 4)	M										
FOUR WALL MODULE (SEE SHEET 5)	1 (ONE)										

NUMBER	CONTACT MATING WIPE LENGTH		COMPLIANT TAIL TYPE (SEE NOTE 9)
	SIGNAL	GROUND	
1	2 MM	4 MM	0.55 (0.0217") DRILL
2	3 MM	4 MM	0.55 (0.0217") DRILL
3	2 MM	4 MM	0.45 MICRO (0.0177") DRILL
4	3 MM	4 MM	0.45 MICRO (0.0177") DRILL
5	2 MM	3 MM	0.55 (0.0217") DRILL
6	3 MM	3 MM	0.55 (0.0217") DRILL
7	2 MM	3 MM	0.45 MICRO (0.0177") DRILL
8	3 MM	3 MM	0.45 MICRO (0.0177") DRILL

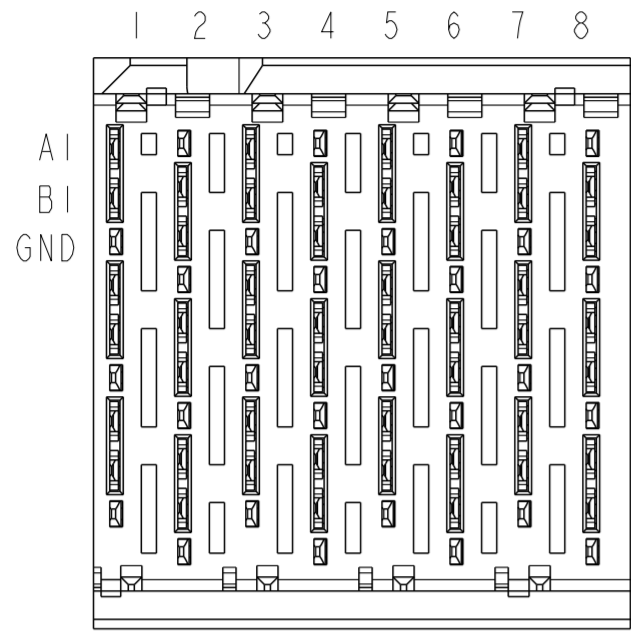
FOR CUSTOM-LOADED MODULES, SEE INDIVIDUAL CUSTOM DRAWINGS WITH THE DRAWING-NUMBER FORMAT OF 10120124-XXXX, WHERE: "X" DENOTES MODULE TYPE PER CHART ON THIS SHEET "YYYY" IS A SEQUENTIAL NUMBER BEGINNING WITH "0001".

	UNGROUND	GROUND
FHS	Ø2.35-Ø2.55	Ø2.35-Ø2.55
PAD	N/A	Ø5.50
PLATED	NO	YES
DRILL(mm)	2.44mm	2.58mm
DRILL(in)	0.096"	0.1015"

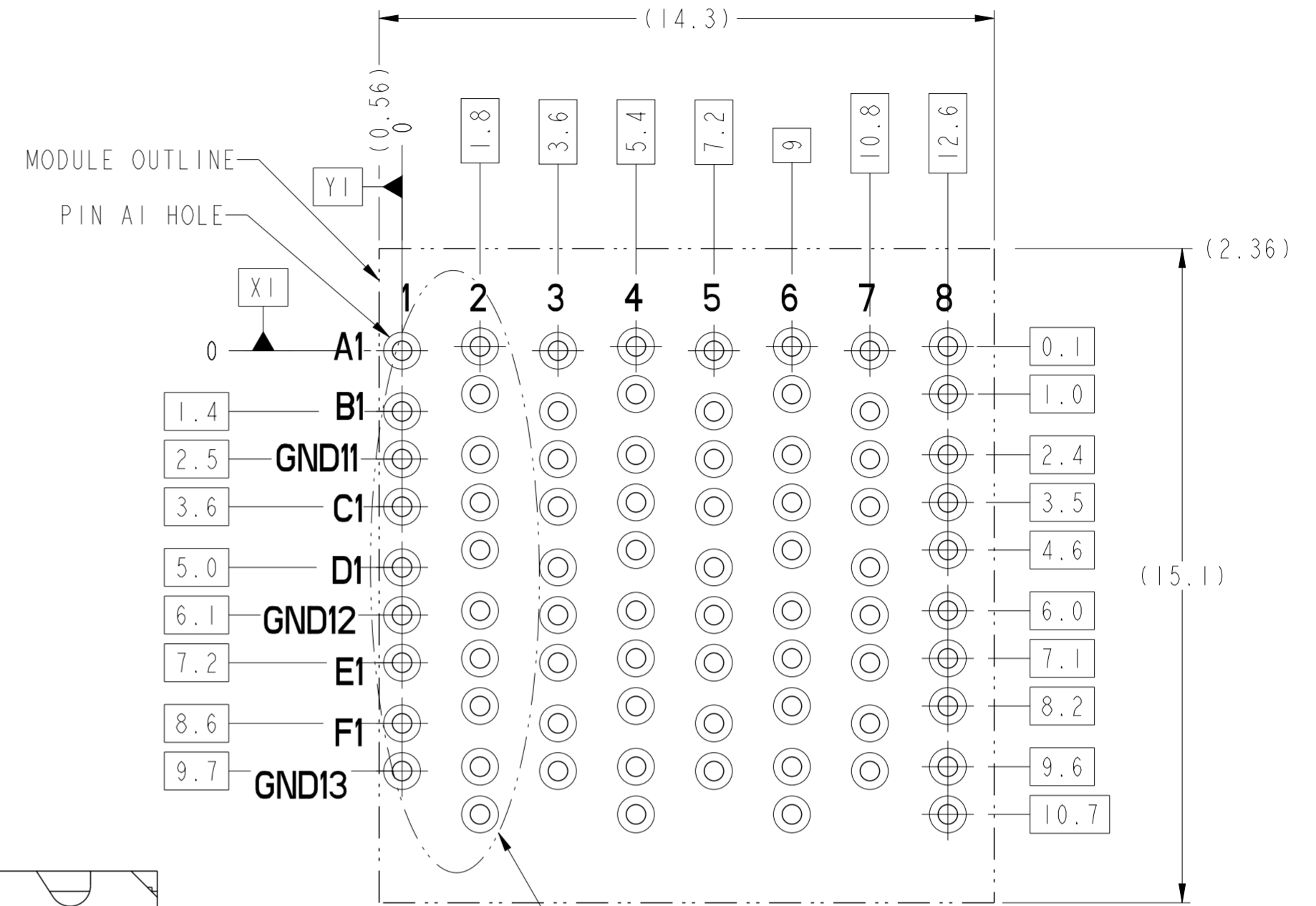
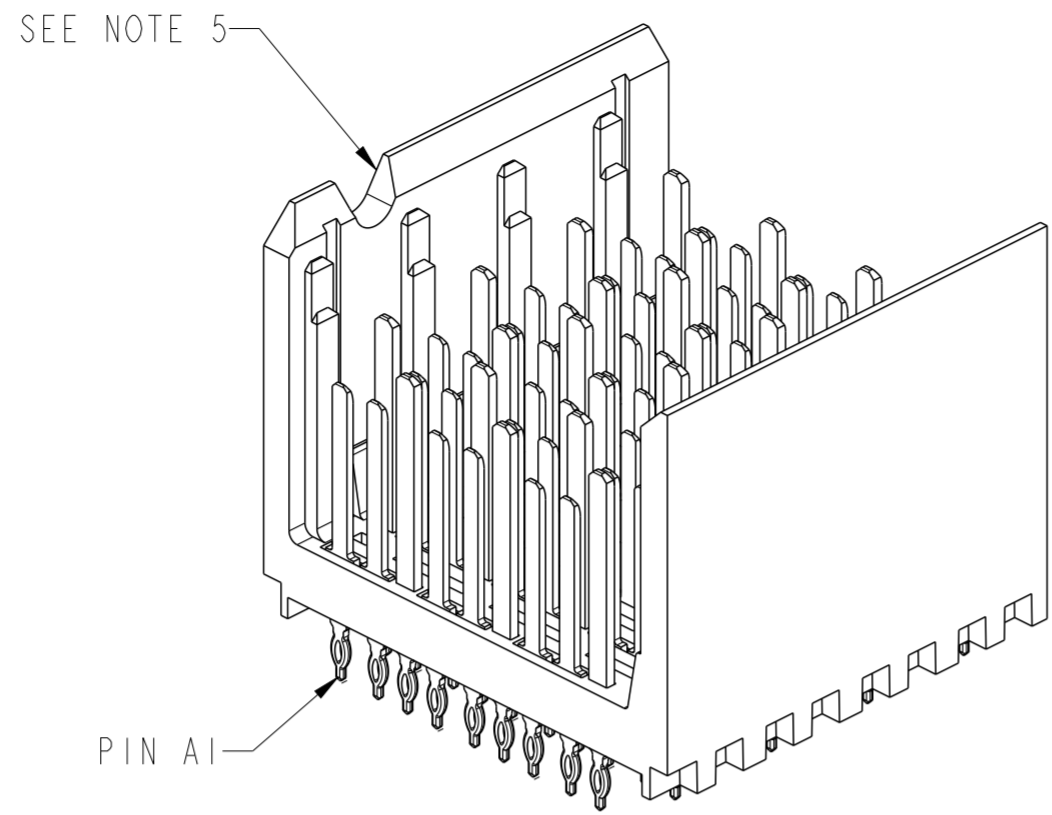
SCREW P/N	DESCRIPTION	BOARD THICKNESS
10091790-002LF	#2-56 X 0.375" LG. PHILIPS PANHEAD W/SQ CONICAL WASHER	1.60-5.00mm
10091790-003LF	#2-56 X 0.375" LG. PHILIPS PANHEAD W/SQ CONICAL WASHER	5.00-10.00mm

spec ref	-	dr	Yong-Keat Lim	2012/02/17	projection	MM	size	A2	scale	5:1
tolerance std	ISO 406 ISO 1101	eng	Sandar Soe	2013/03/20			ecn no	ELX-S-14229-1	rel level	Released
surface	ISO 1302	chr	-	appr						
TOLERANCES UNLESS OTHERWISE SPECIFIED		linear	0.X ±0.3 0.XX ±0.10 0.XXX ±0.05	angular	0° ±2°			XCED HD VERTICAL HEADER 3 PAIR, 8 COLUMN STITCH HEADER	10120124	rev B
www.fci.com		cat. no.		Product - Customer Drw		sheet 1 of 8				

Copyright FCI. FCI



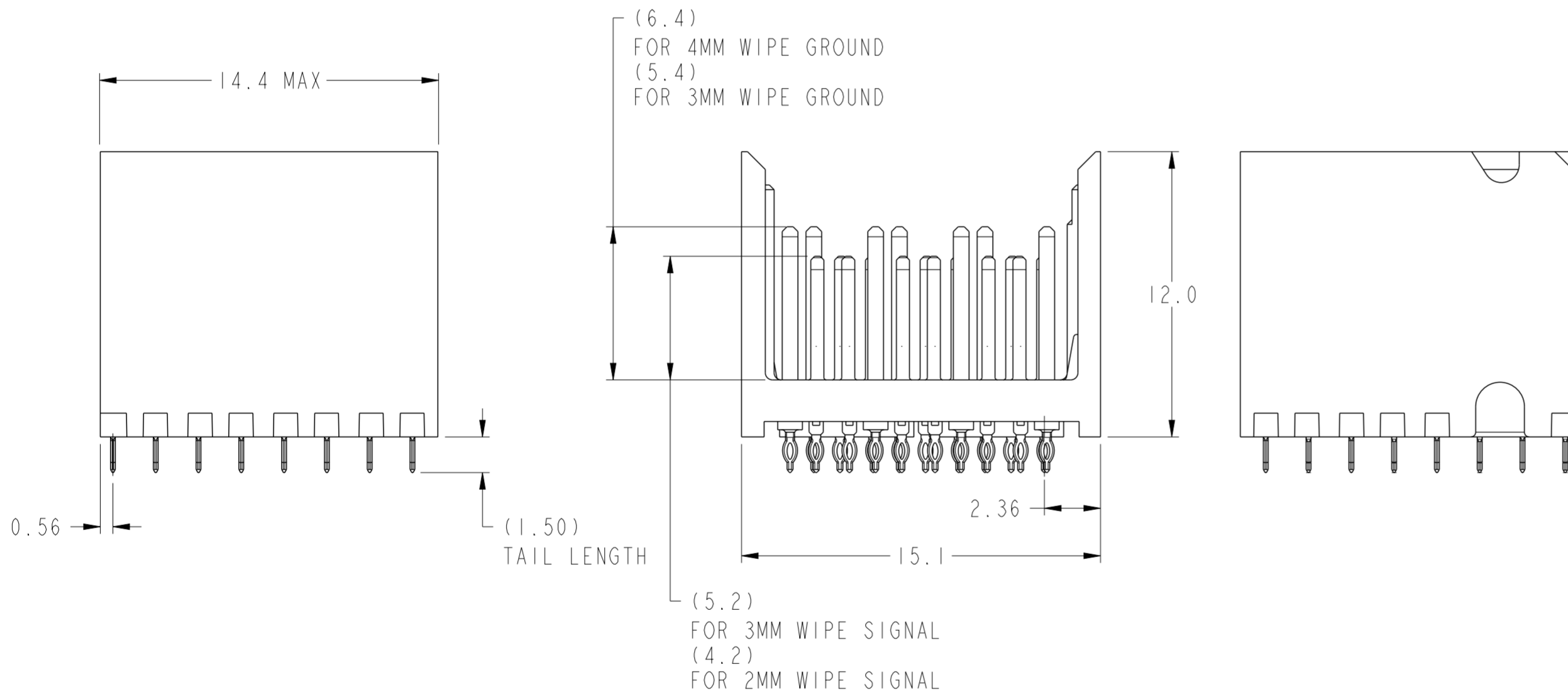
OPEN WALL MODULE



SEE DETAIL A ON SHEET 8 FOR PINOUT DETAILS

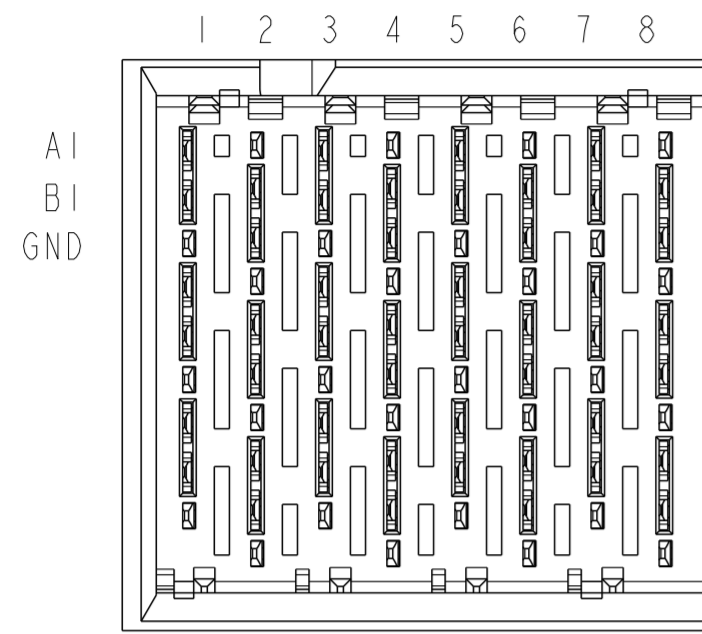
BP HOLE PATTERN COMPONENT SIDE

OPEN WALL MODULE BACKPLANE FOOTPRINT

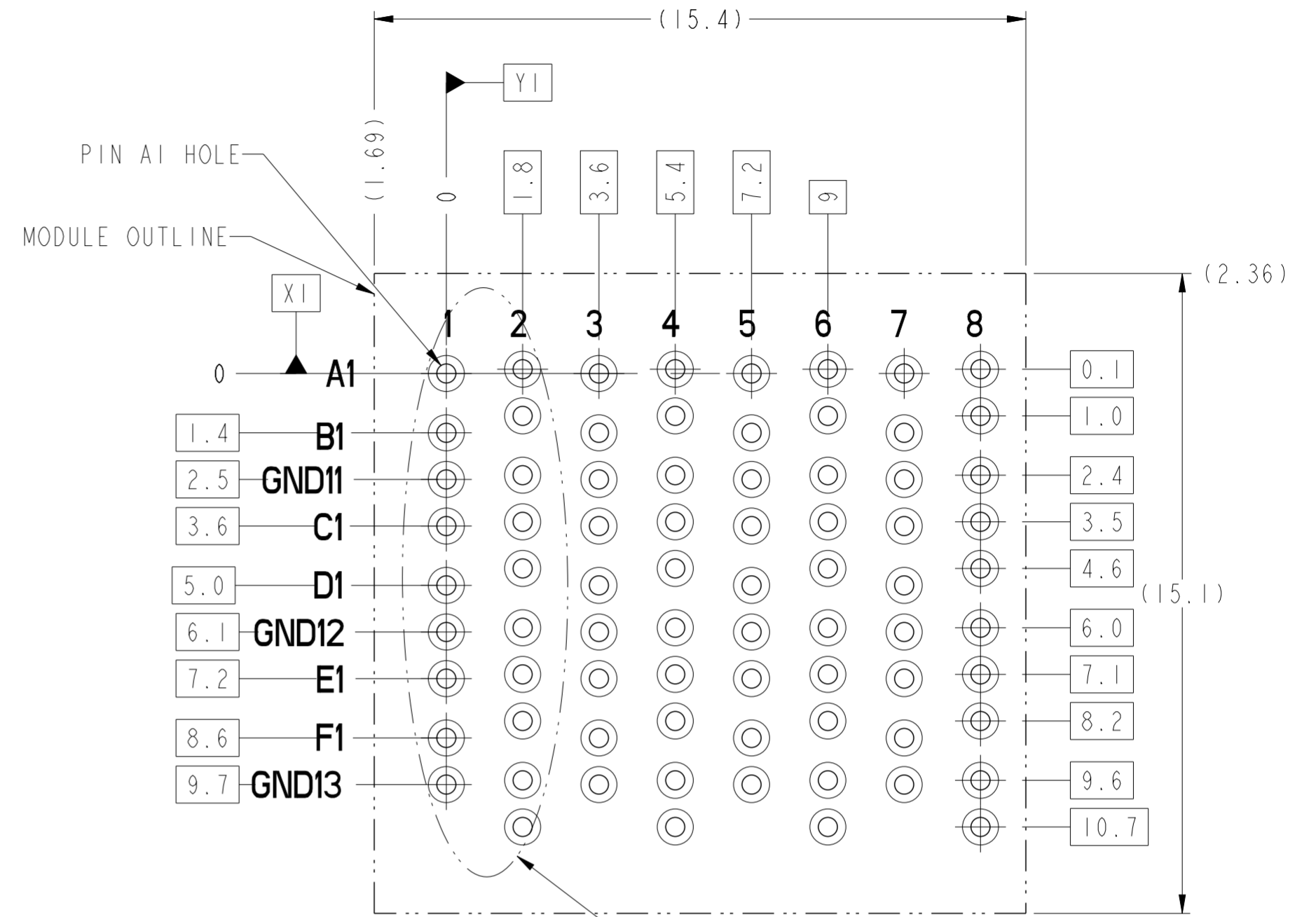
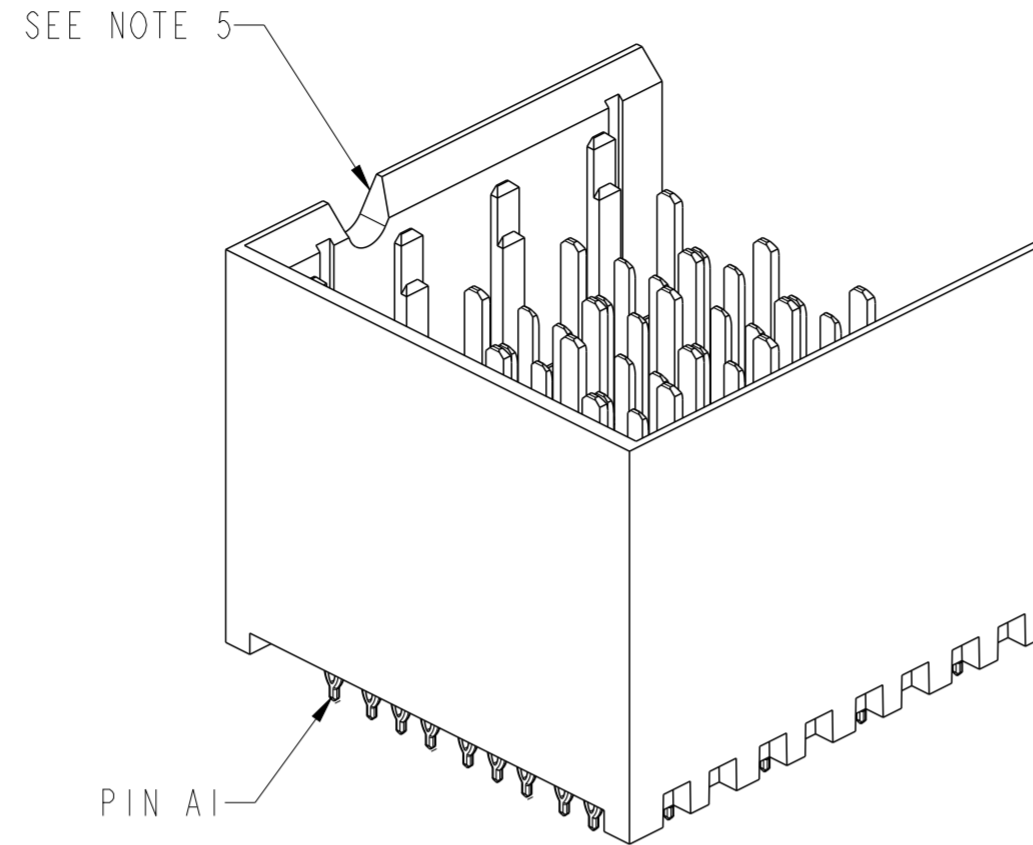


Copyright FCI.

spec ref	-	dr	Yong-Keat Lim	2012/02/17	projection	MM	size	A2	scale	5:1
tolerance std	ISO 406 ISO 1101	eng	Sandar Soe	2013/03/20			ecn no	ELX-S-14229-1		
TOLERANCES UNLESS OTHERWISE SPECIFIED		chr	-	rel level				Released		
surface	ISO 1302	appr	Chen-Hong Tan	2013/04/09	product family	XCEDE HD	rel level	Blue		
linear	0.X ±0.3 0.XX ±0.10 0.XXX ±0.05	www.fci.com			title	XCEDE HD VERTICAL HEADER 3 PAIR, 8 COLUMN STITCH HEADER		dwg no	10120124	
angular	0° ±2°	cat. no.	-		Product - Customer Drw	sheet 2 of 8		rev	B	

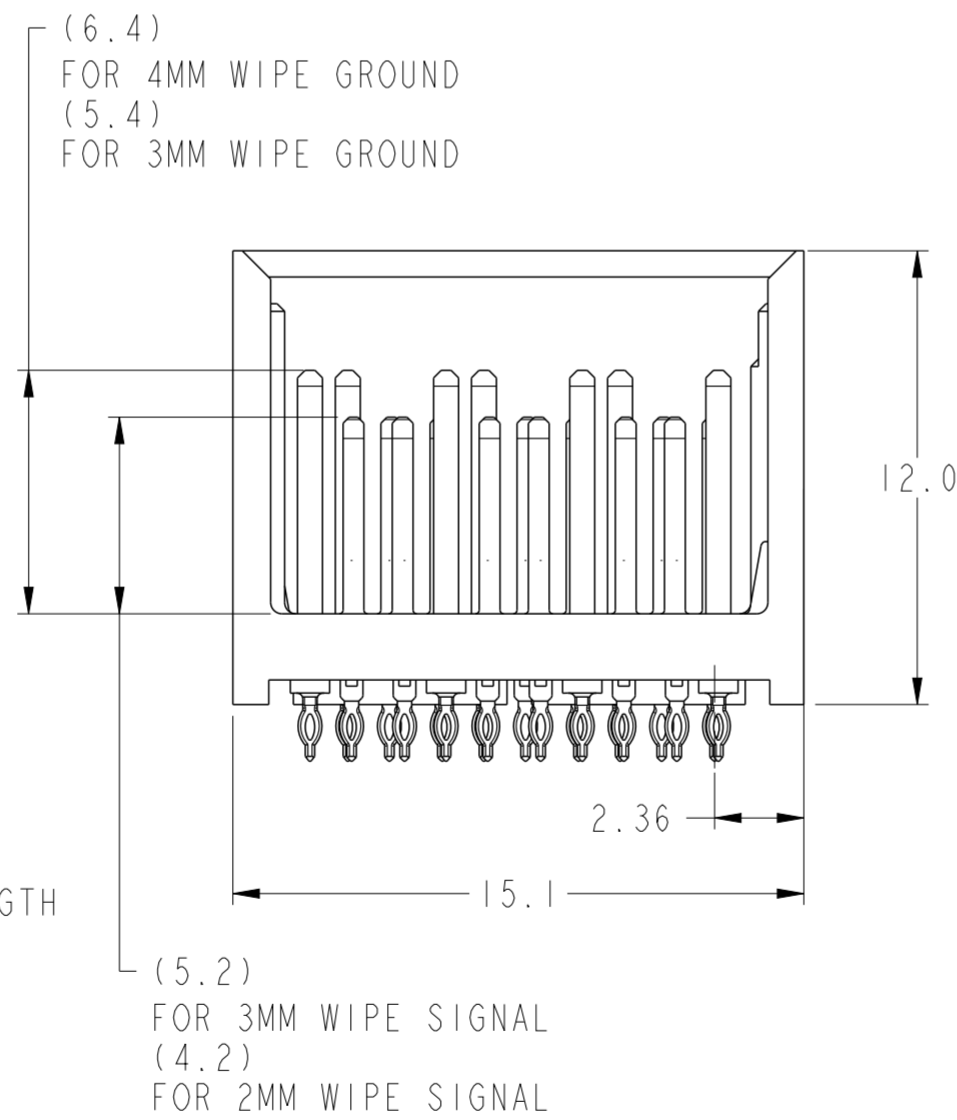
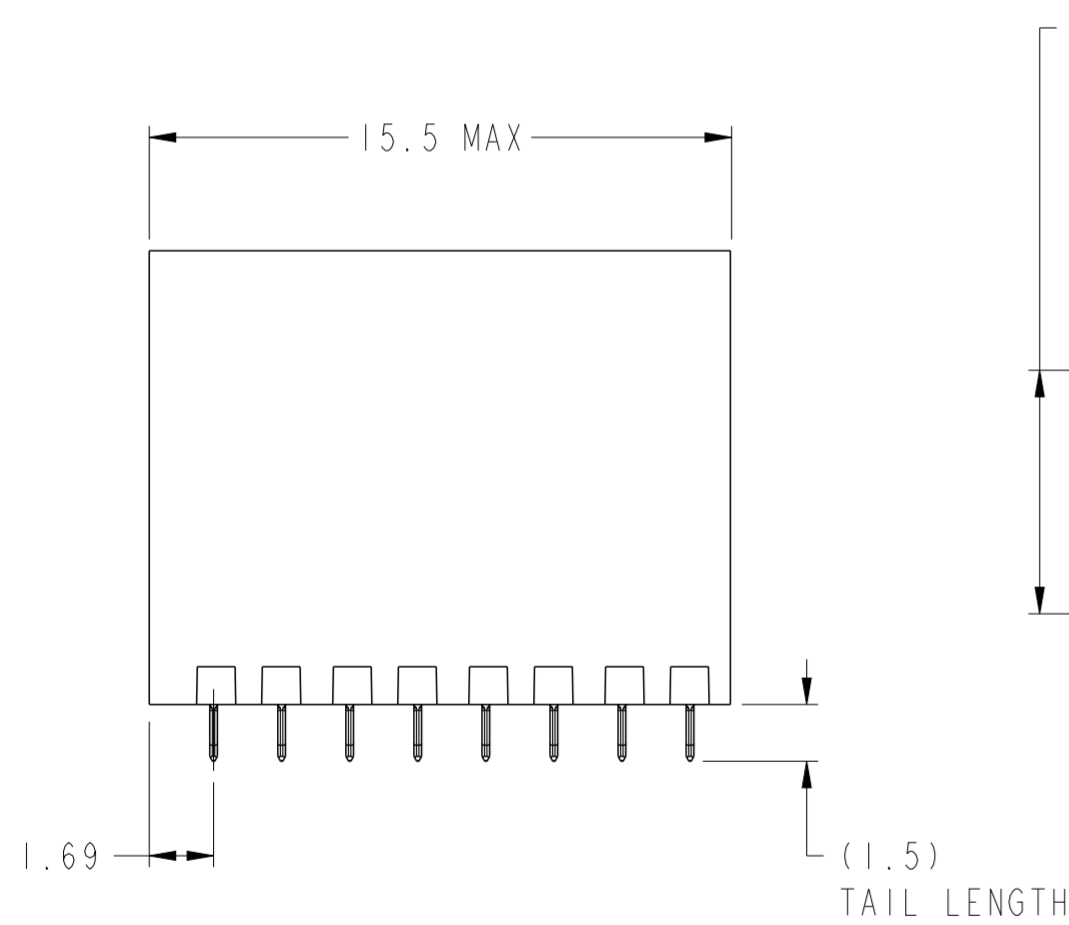


LEFT WALL MODULE

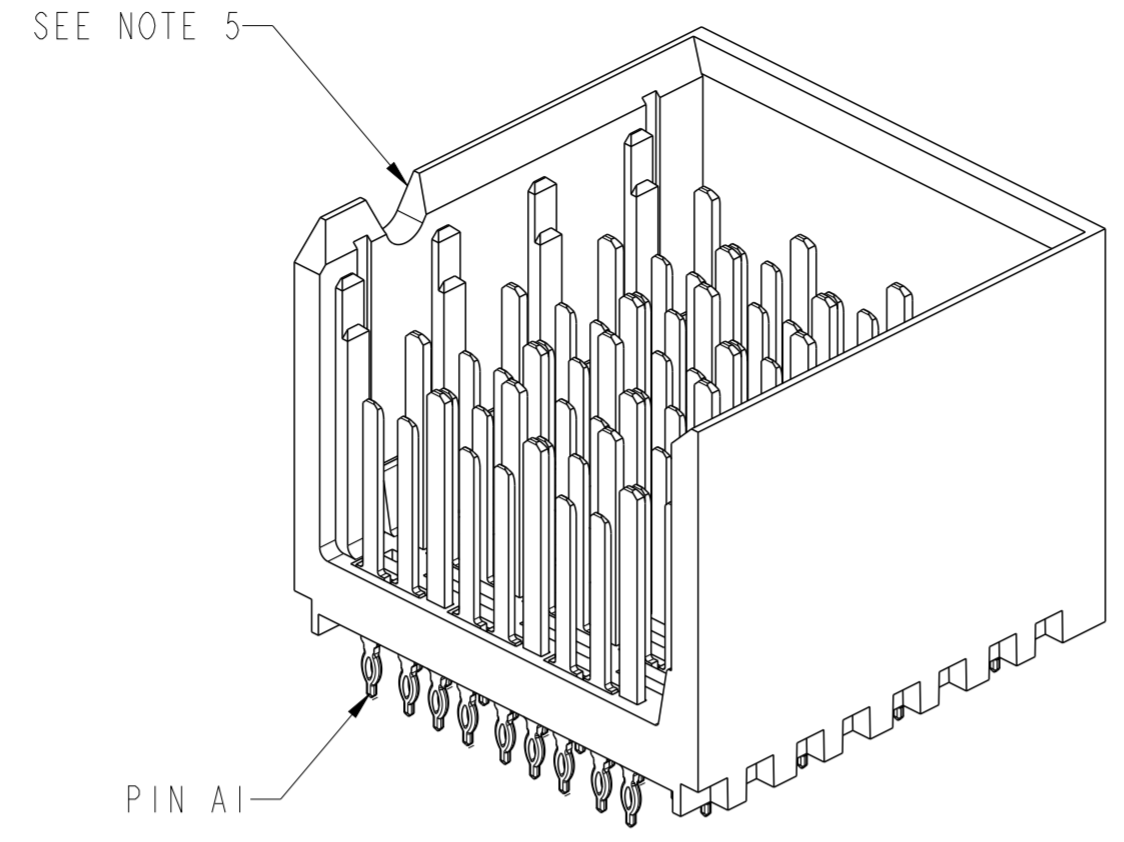
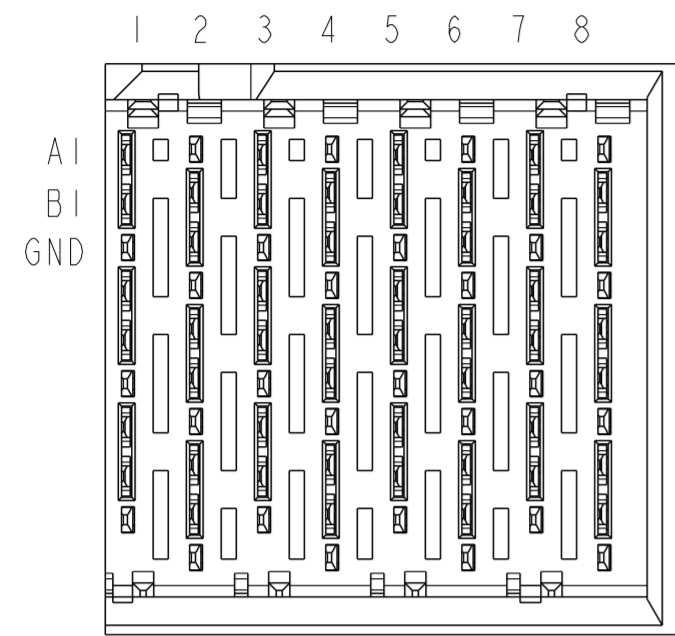


SEE DETAIL A ON SHEET 8 FOR PINOUT DETAILS

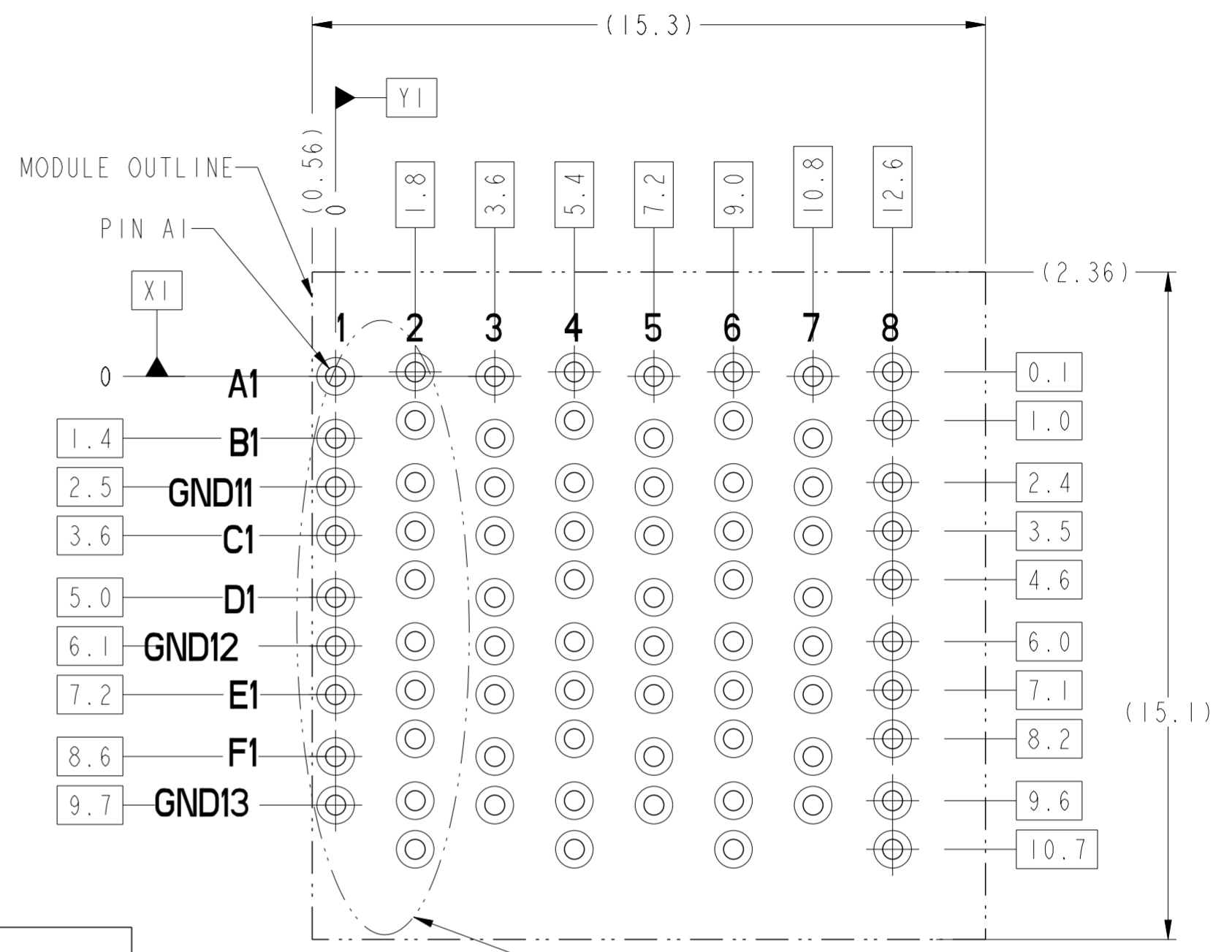
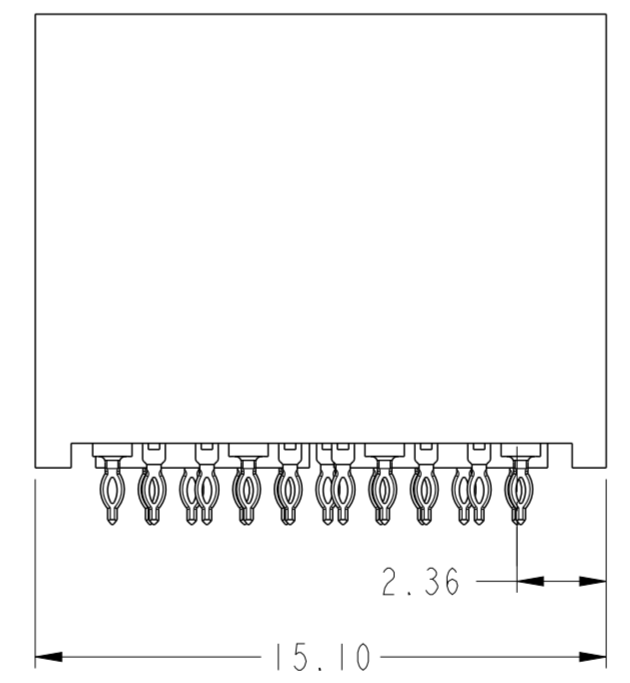
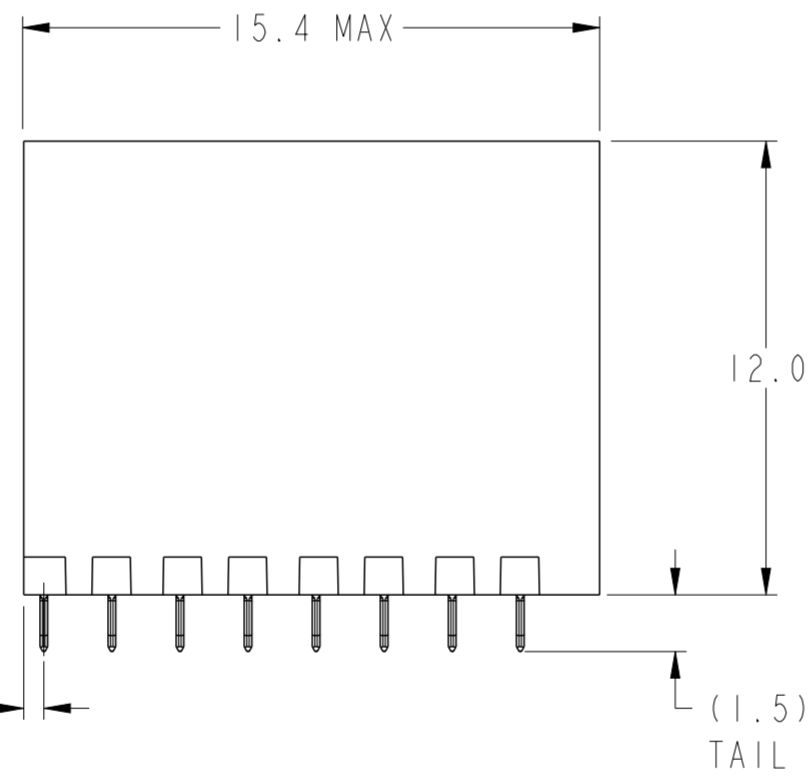
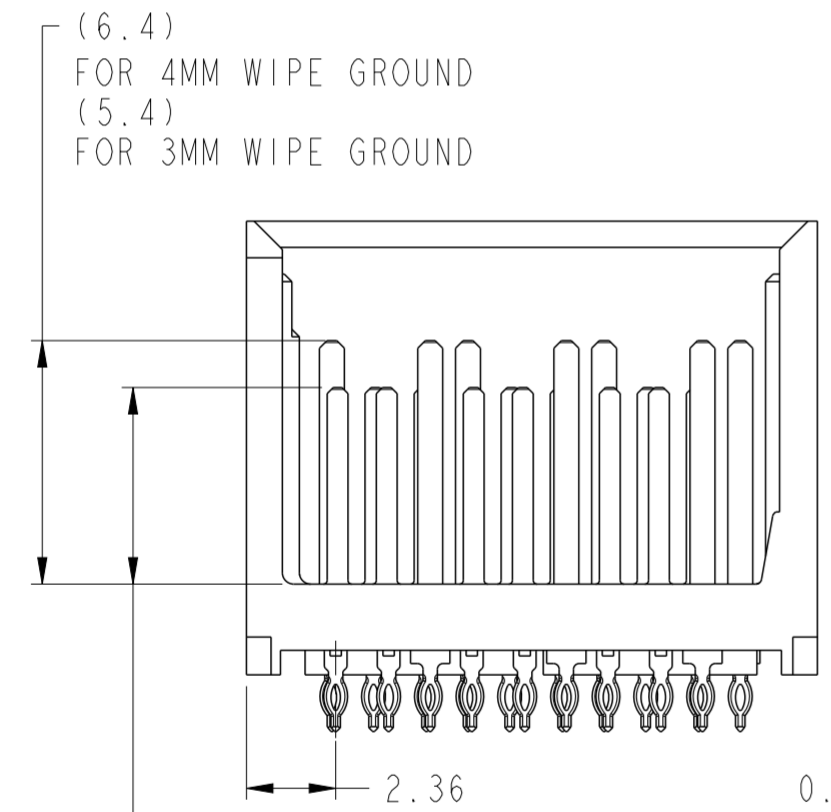
BP HOLE PATTERN COMPONENT SIDE
LEFT WALL MODULE BACKPLANE FOOTPRINT



spec ref	-	dr	Yong-Keat Lim	2012/02/17	projection	MM	size	A2	scale	5:1	
tolerance std	ISO 406 ISO 1101	eng	Sander Soe	2013/03/20			ecn no	ELX-S-14229-1			
TOLERANCES UNLESS OTHERWISE SPECIFIED		chr	-	appr			Chen-Hong Tan	2013/04/09	product family	XCEDE HD	rel level
surface	ISO 1302	linear	0.X	±0.3		FCI XCEDE HD VERTICAL HEADER 3 PAIR, 8 COLUMN STITCH HEADER	dwg no	10120124			
		angular	0°	±2°			www.fci.com	cat. no.	Product - Customer Drw		
									rev	B	



RIGHT WALL MODULE



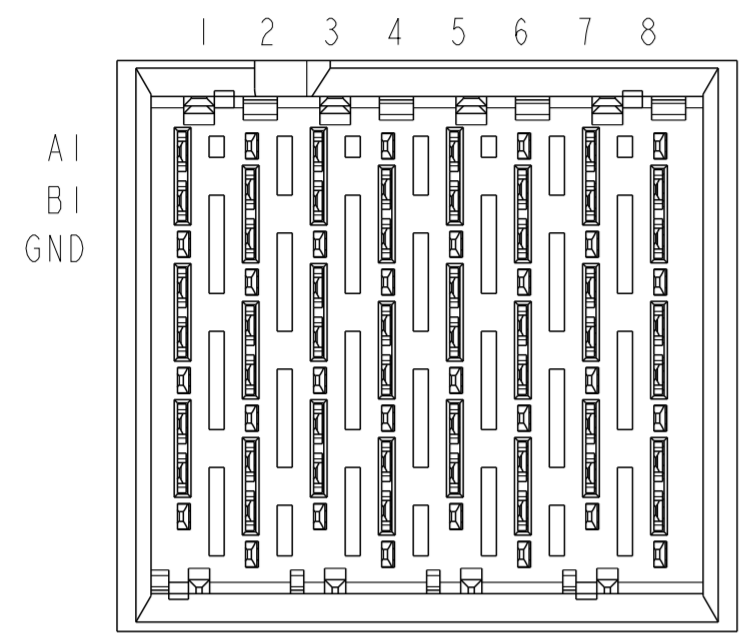
SEE DETAIL A
ON SHEET 8 FOR PINOUT DETAILS

BP HOLE PATTERN COMPONENT SIDE

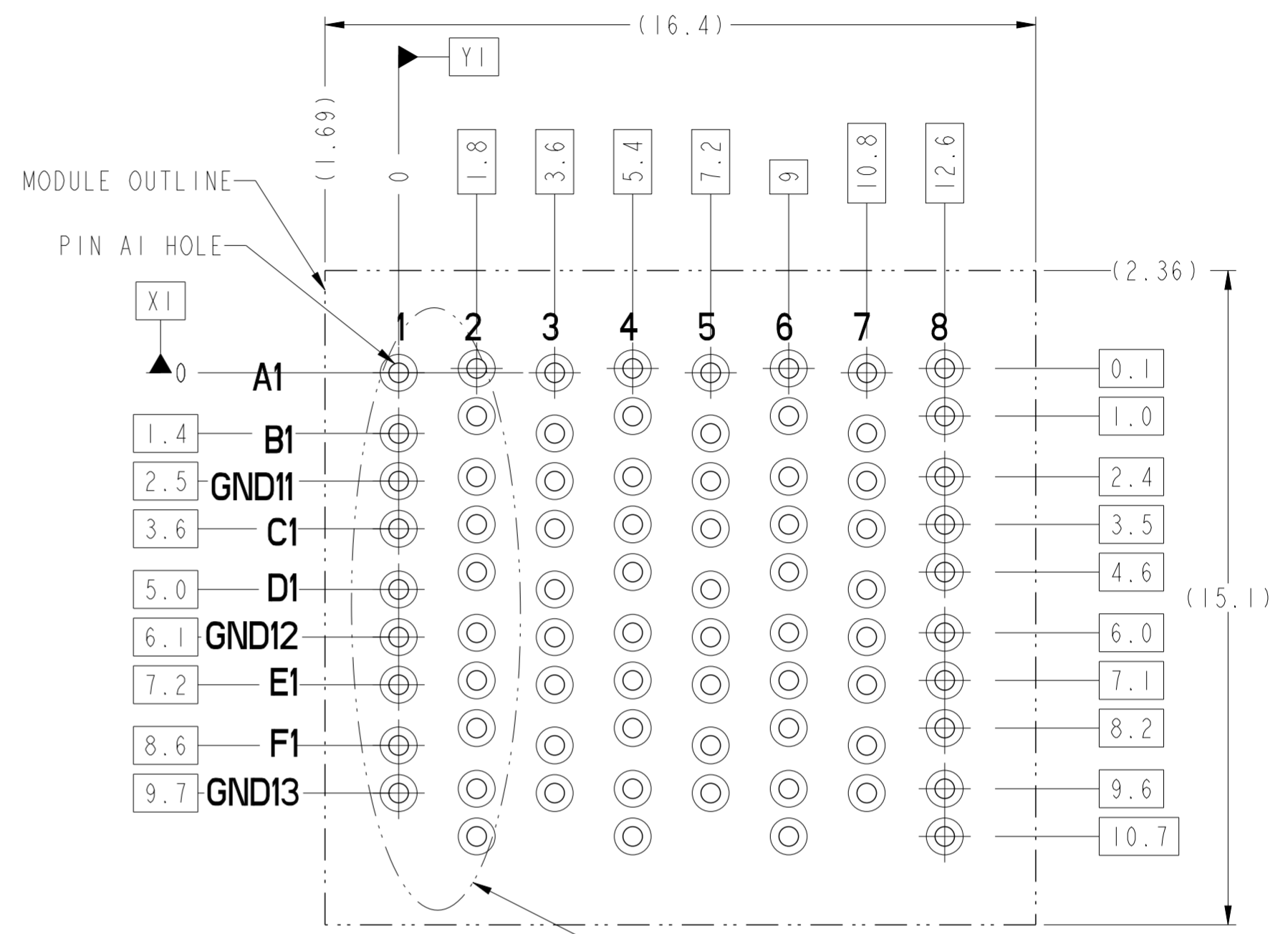
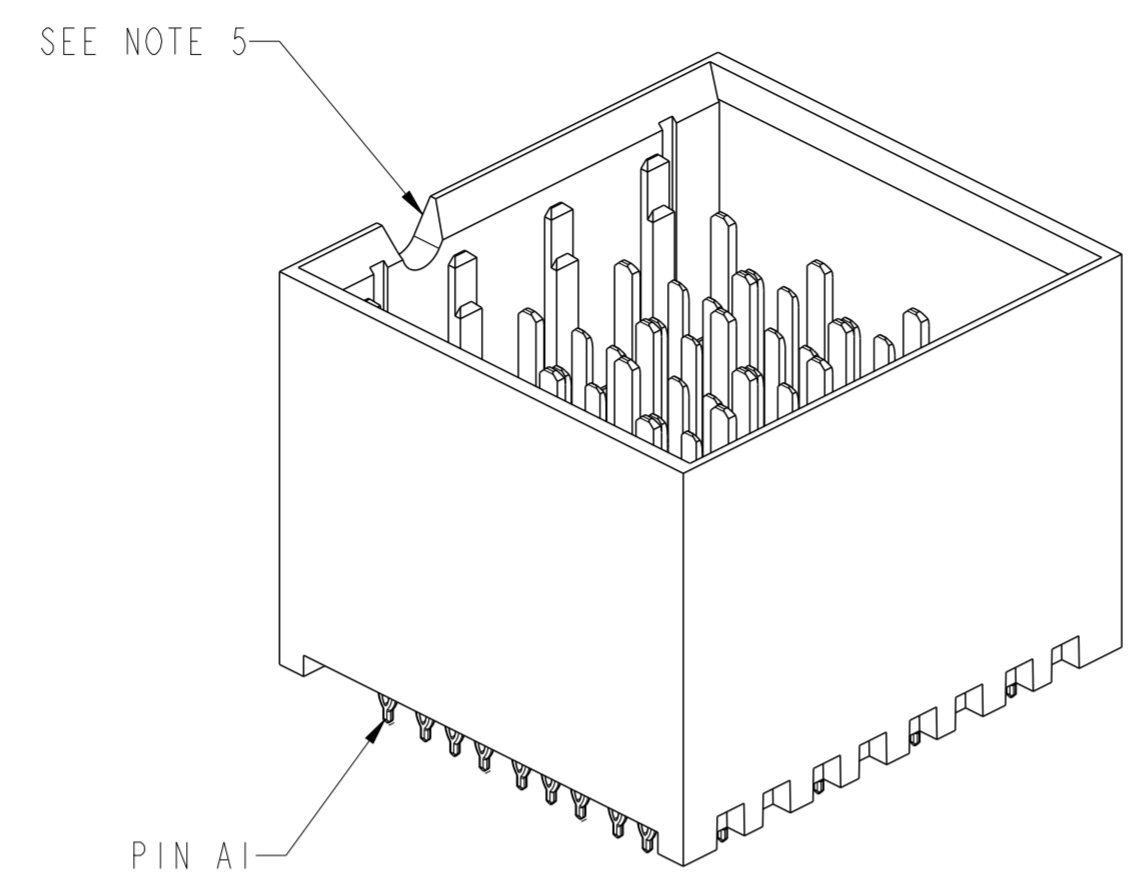
RIGHT WALL MODULE BACKPLANE FOOTPRINT

Copyright FCI.

spec ref	-	dr	Yong-Keat Lim	2012/02/17	projection	MM	size	A2	scale	5:1
tolerance std	ISO 406 ISO 1101	eng	Sander Soe	2013/03/20			ecn no	ELX-S-14229-1	rel level	Released
TOLERANCES UNLESS OTHERWISE SPECIFIED		chr	-	apppr						
surface	ISO 1302	linear	0.X	±0.3		XCED HD VERTICAL HEADER 3 PAIR, 8 COLUMN STITCH HEADER	dwg no 10120124	rev B	Product - Customer Drw	
	angular	0°	±2°	cat. no.					-	sheet 4 of 8

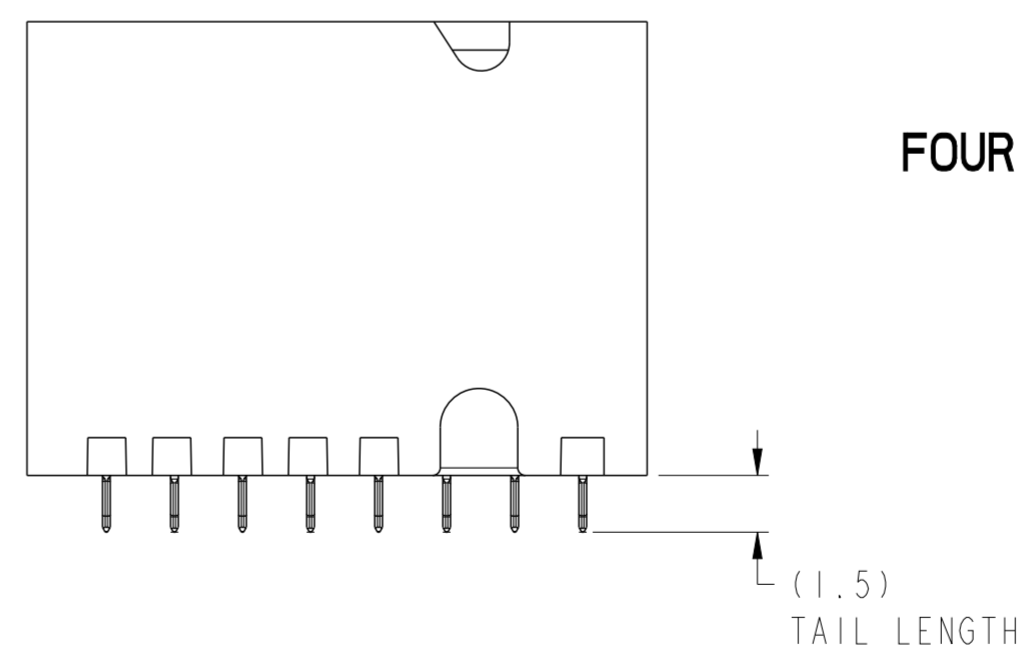
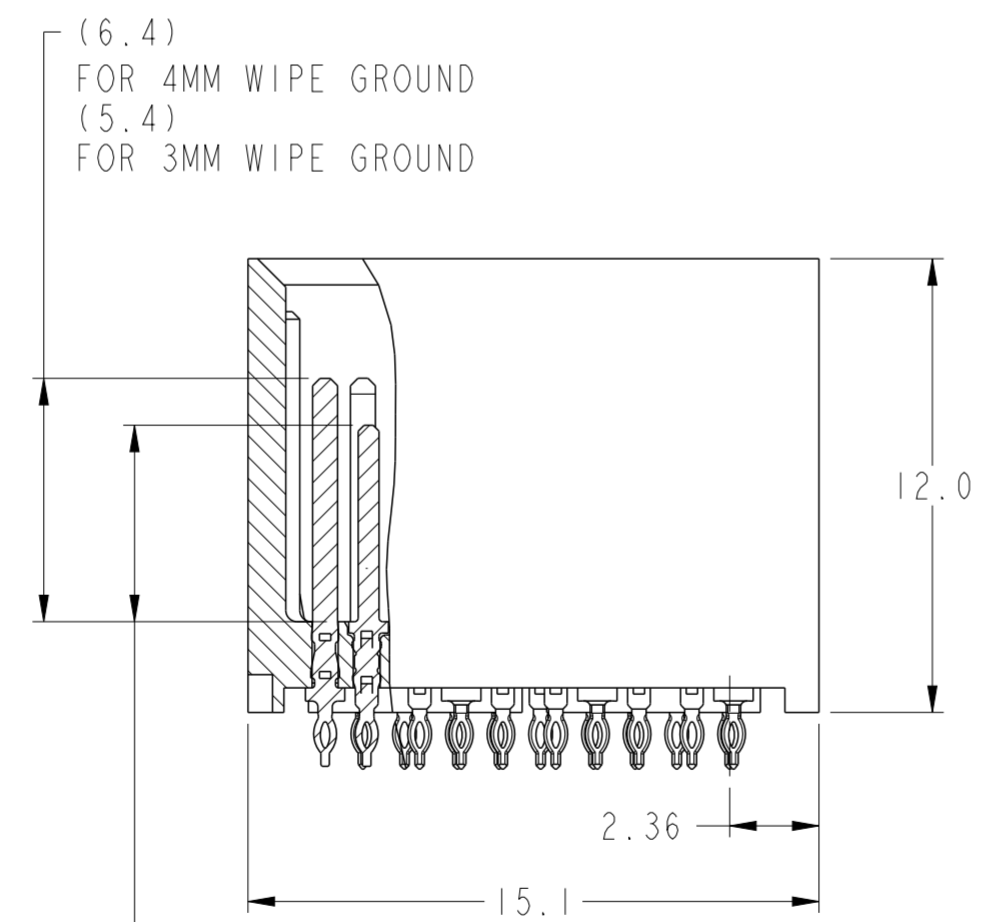
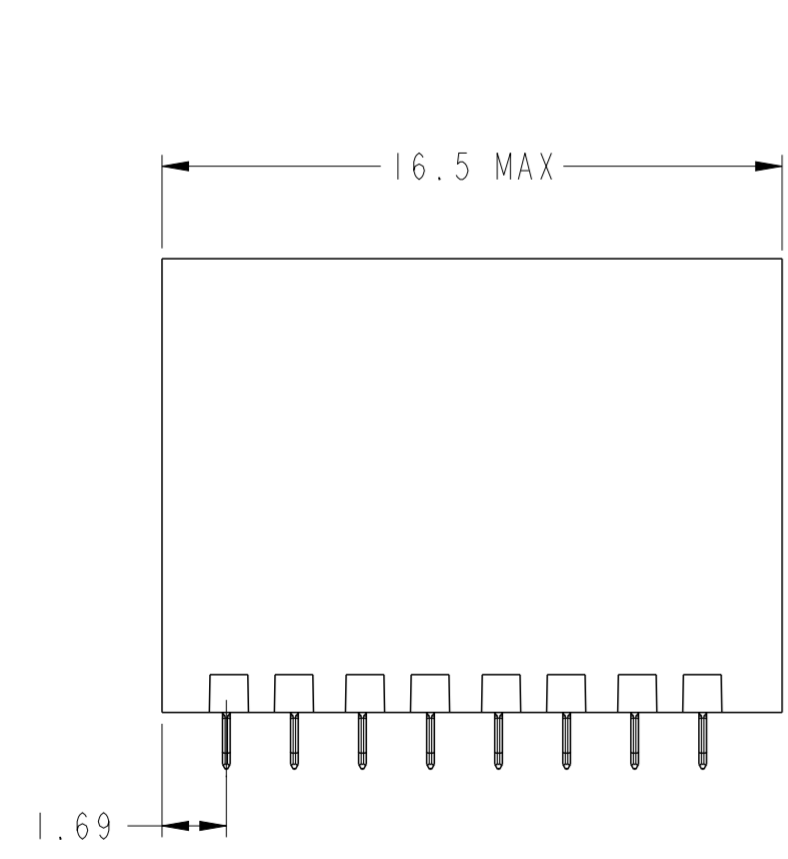


FOUR WALL MODULE



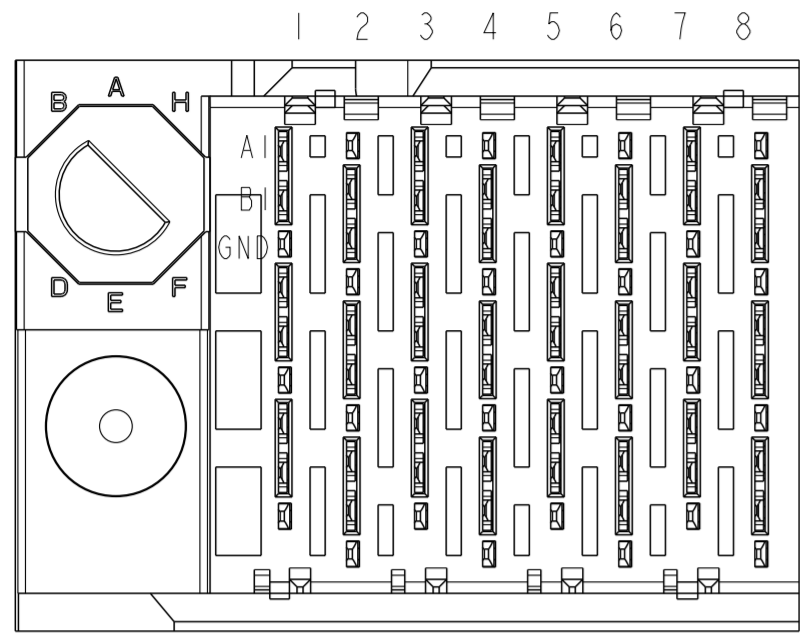
SEE DETAIL A
ON SHEET 8 FOR PINOUT DETAILS
BP HOLE PATTERN COMPONENT SIDE

FOUR WALL MODULE BACKPLANE FOOTPRINT



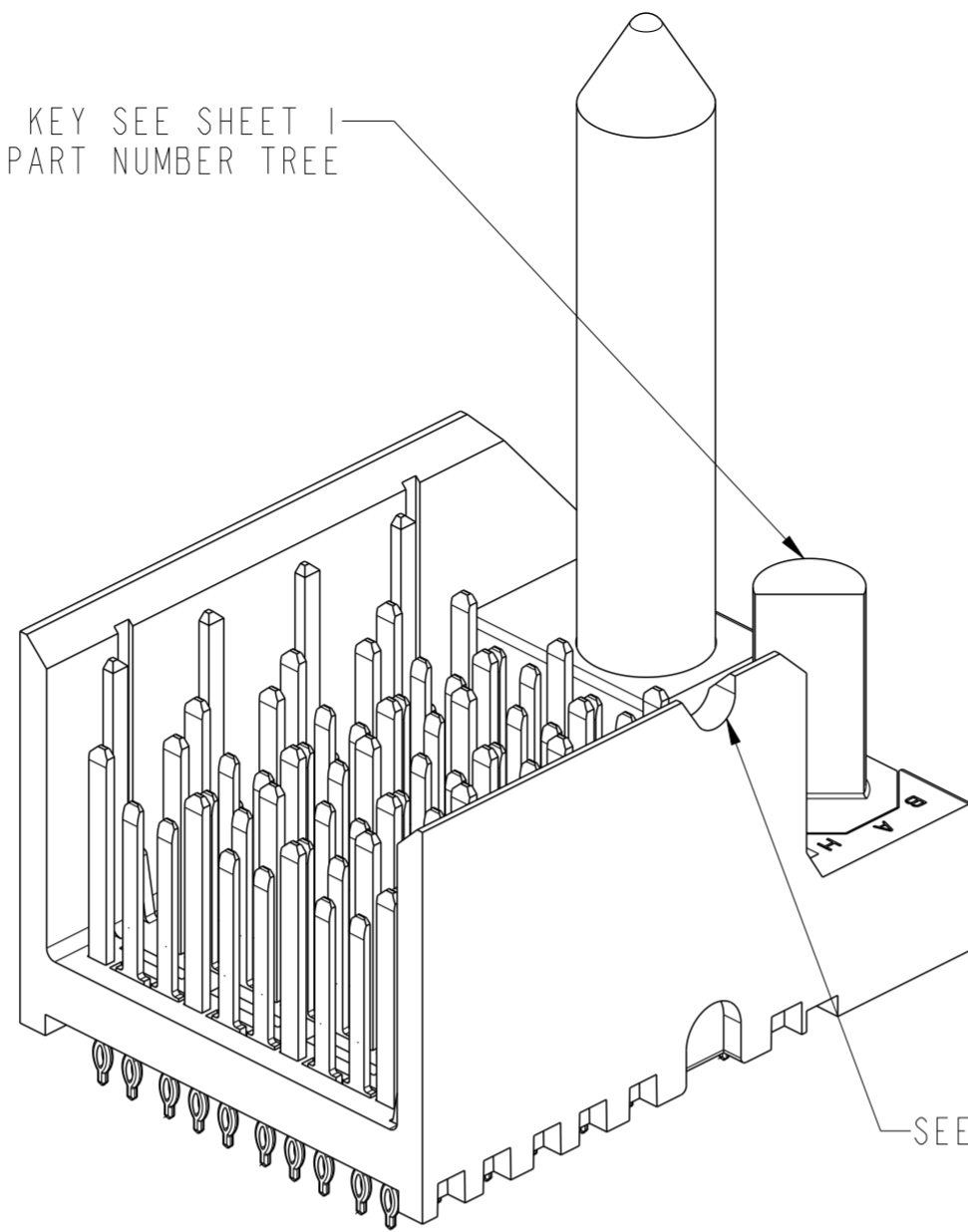
Copyright FCI.

spec ref	-	dr	Yong-Keat Lim	2012/02/17	projection	MM	size	A2	scale	5:1	
tolerance std	ISO 406 ISO 1101	eng	Sandar Soe	2013/03/20			ecn no	ELX-S-14229-1	rel level	Released	
TOLERANCES UNLESS OTHERWISE SPECIFIED		chr	-	apppr							Chen-Hong Tan
surface	ISO 1302	linear	0.X	±0.3		XCED HD VERTICAL HEADER 3 PAIR, 8 COLUMN STITCH HEADER	dwg no 10120124	rev B	Product - Customer Drw		
		angular	0°	±2°					cat. no.	-	sheet 5 of 8



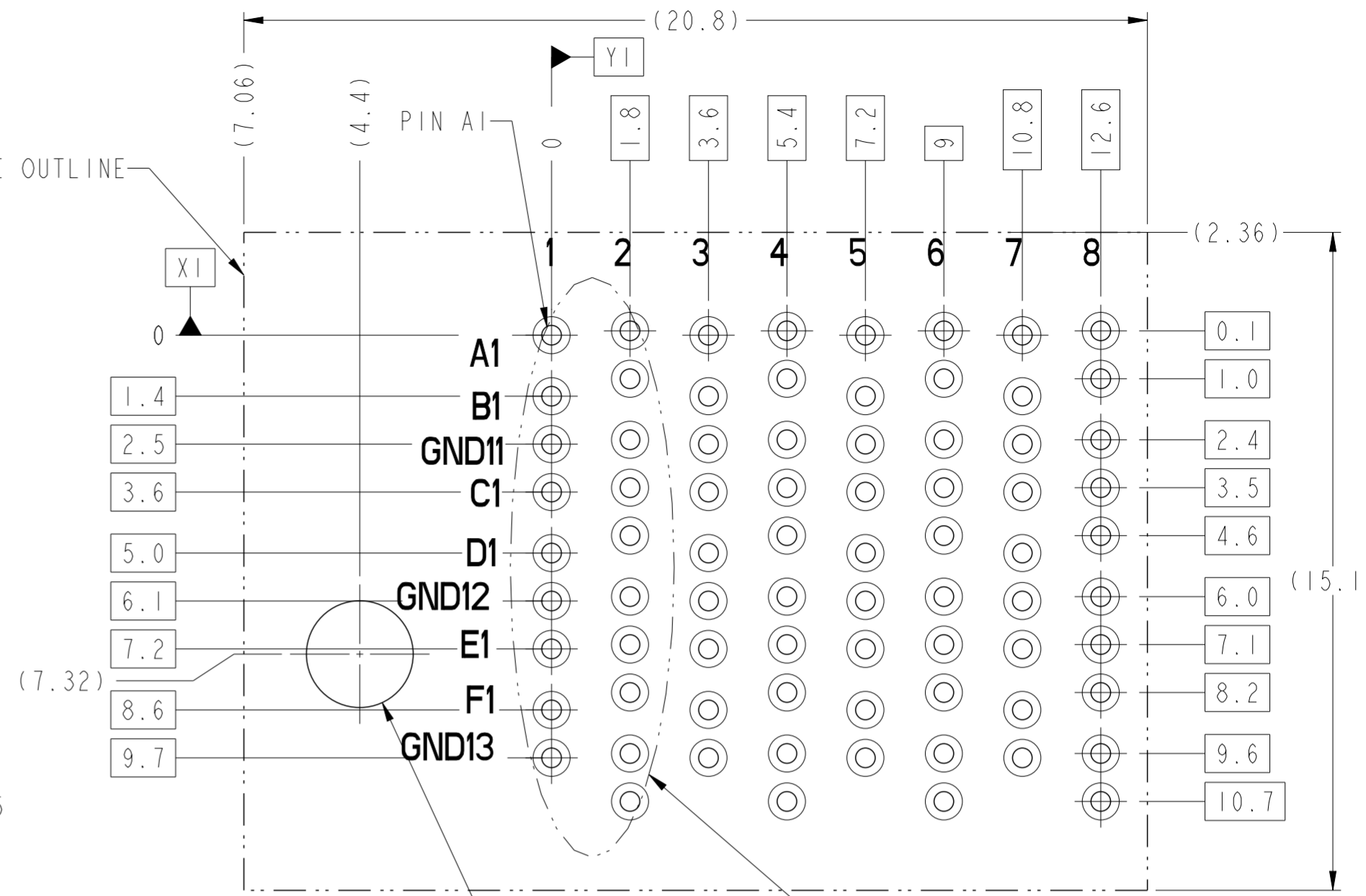
LEFT POLARIZING / GUIDE MODULE

OPTIONAL KEY SEE SHEET 1
PART NUMBER TREE

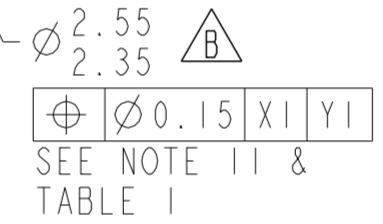


SEE NOTE 5

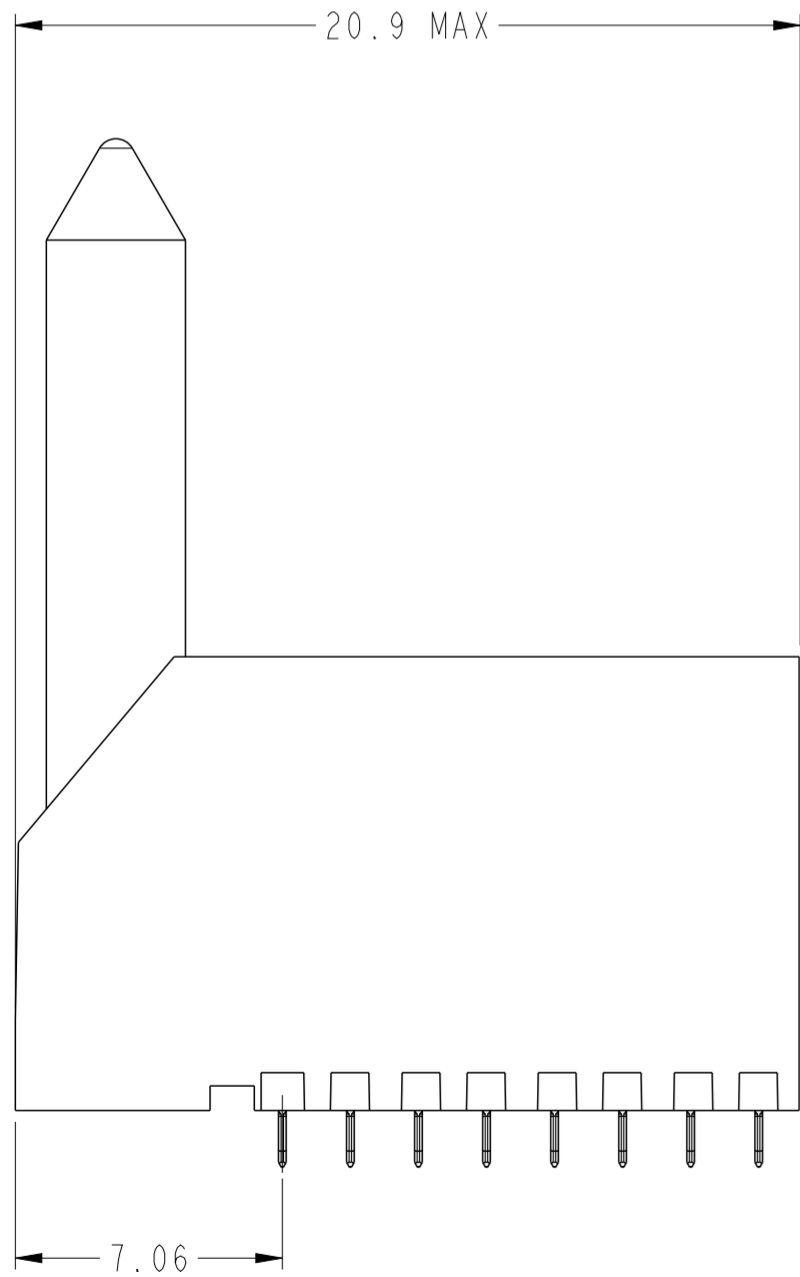
MODULE OUTLINE



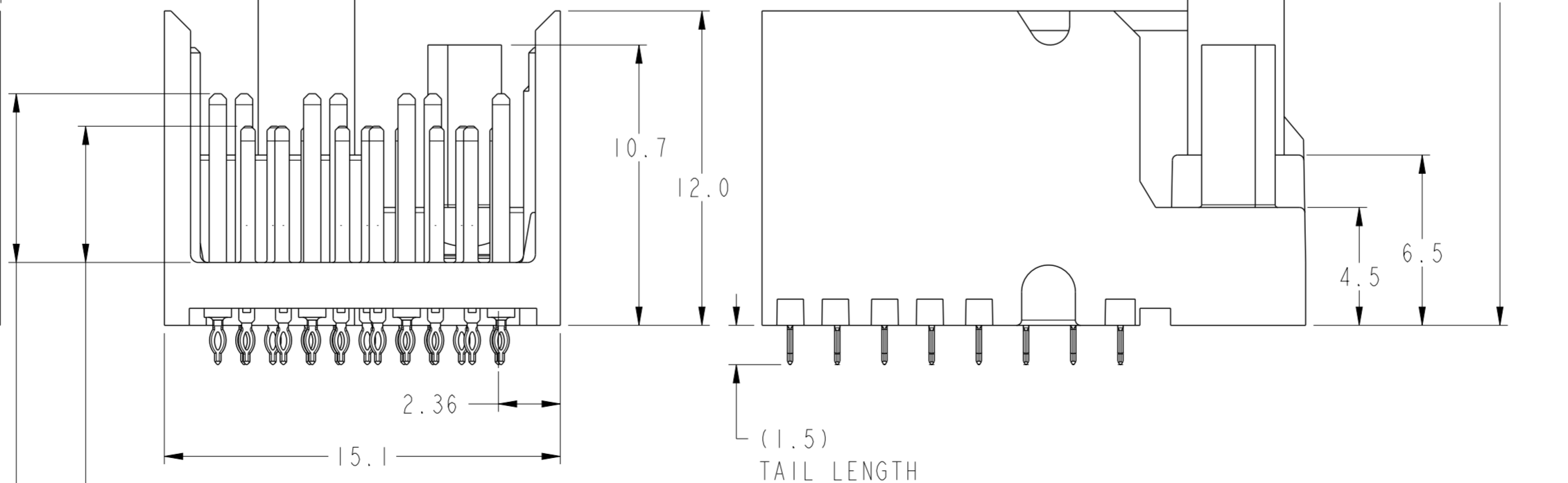
SEE DETAIL A
ON SHEET 8 FOR PINOUT DETAILS



BP HOLE PATTERN COMPONENT SIDE
**LEFT POLARIZING / GUIDE MODULE
BACKPLANE FOOTPRINT**



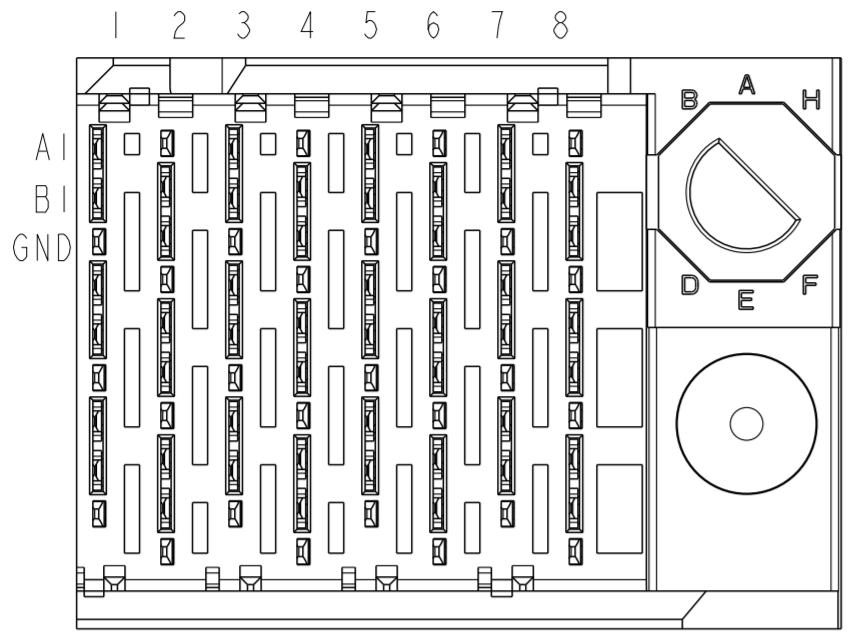
(\varnothing 3.68)



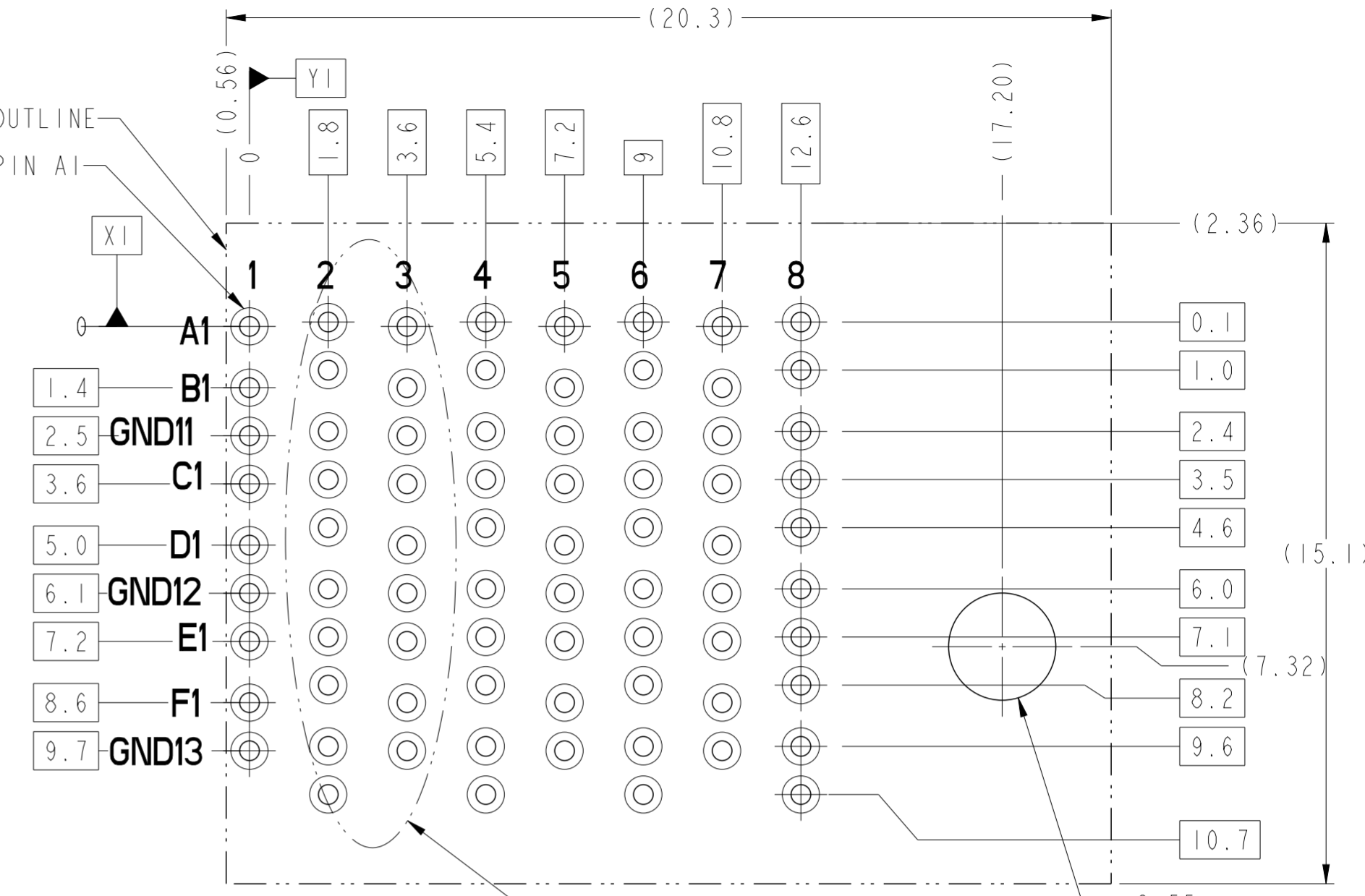
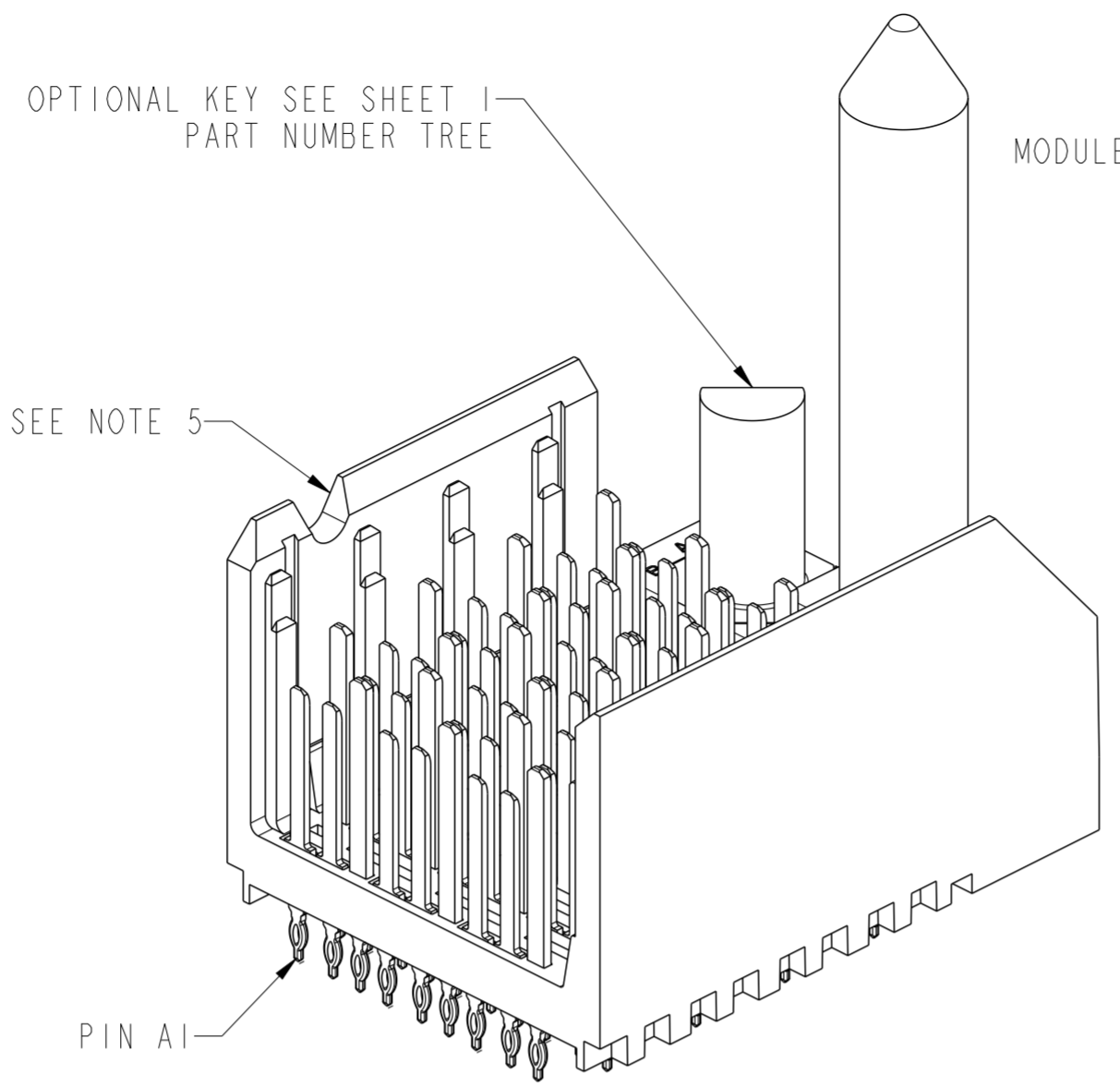
(5.2)
FOR 3MM WIPE SIGNAL
(4.2)
FOR 2MM WIPE SIGNAL
(6.4)
FOR 4MM WIPE GROUND
(5.4)
FOR 3MM WIPE GROUND

(1.5)
TAIL LENGTH

spec ref	-	dr	Yong-Keat Lim	2012/02/17	projection	MM	size	A2	scale	5:1
tolerance std	ISO 406 ISO 1101	eng	Sander Soe	2013/03/20	chr	-	ecn no	ELX-S-14229-1	rel level	Released
surface	ISO 1302	appr	Chen-Hong Tan	2013/04/09	product family	XCEDE HD	cat. no.	10120124	rev	B



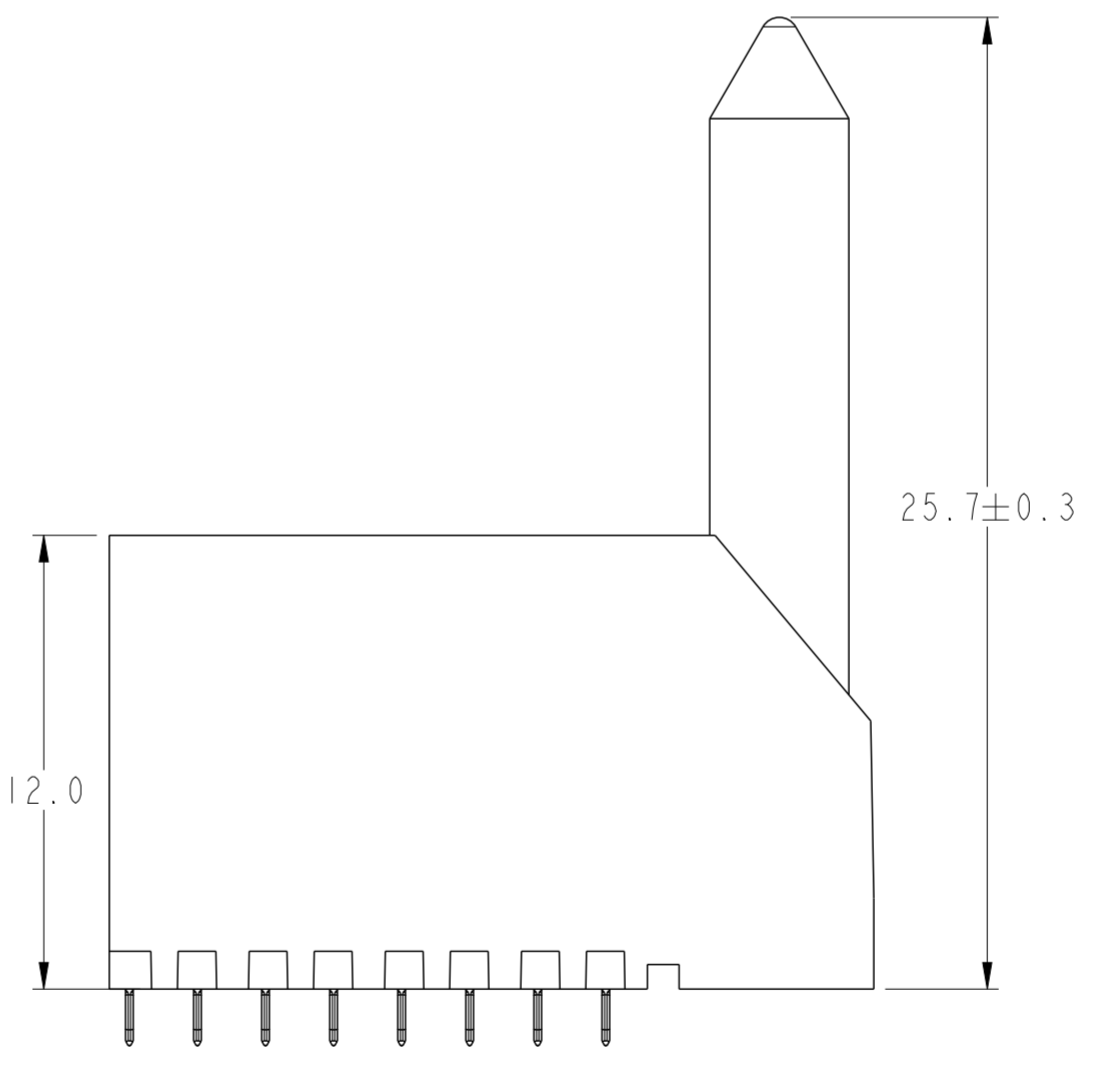
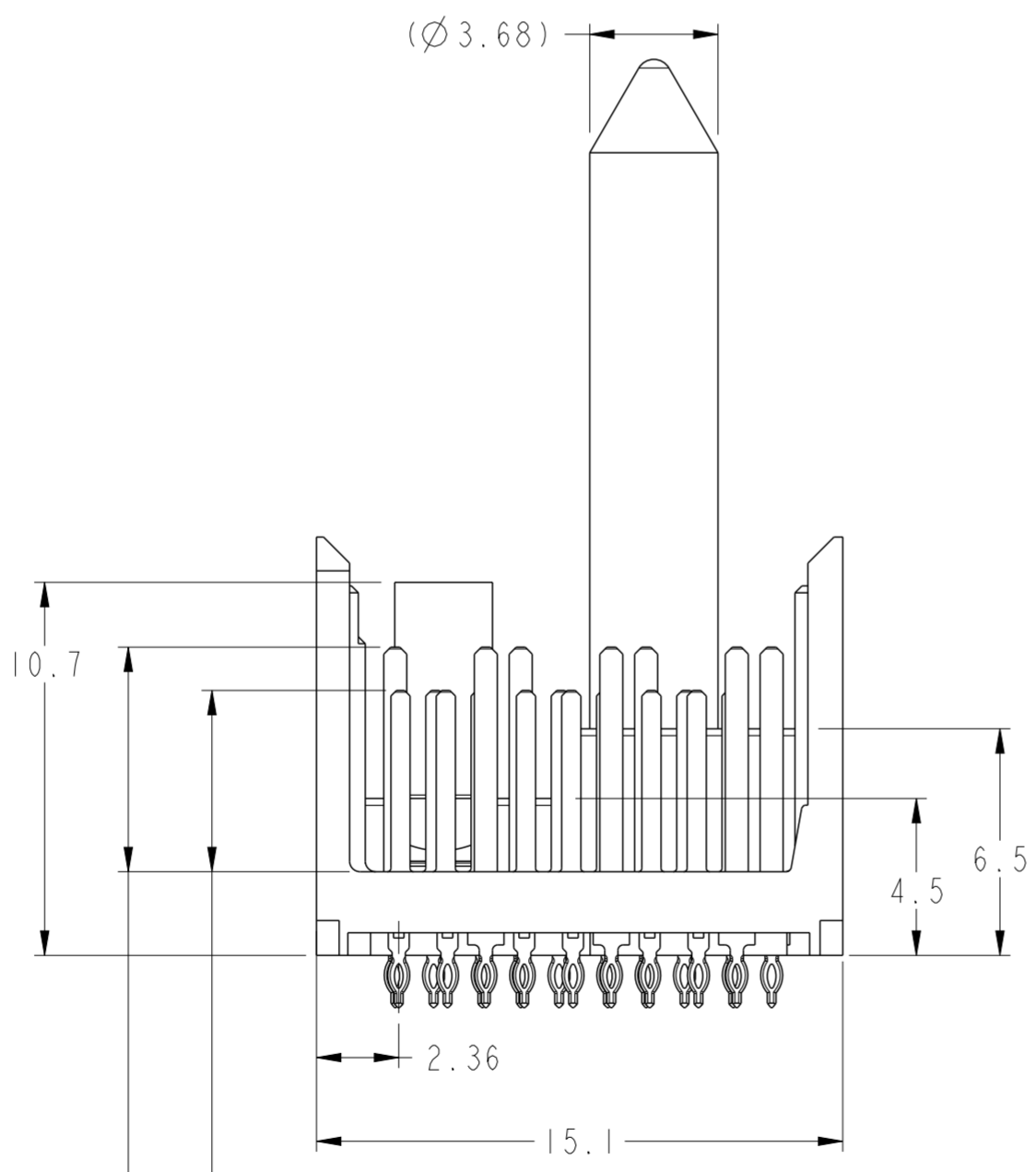
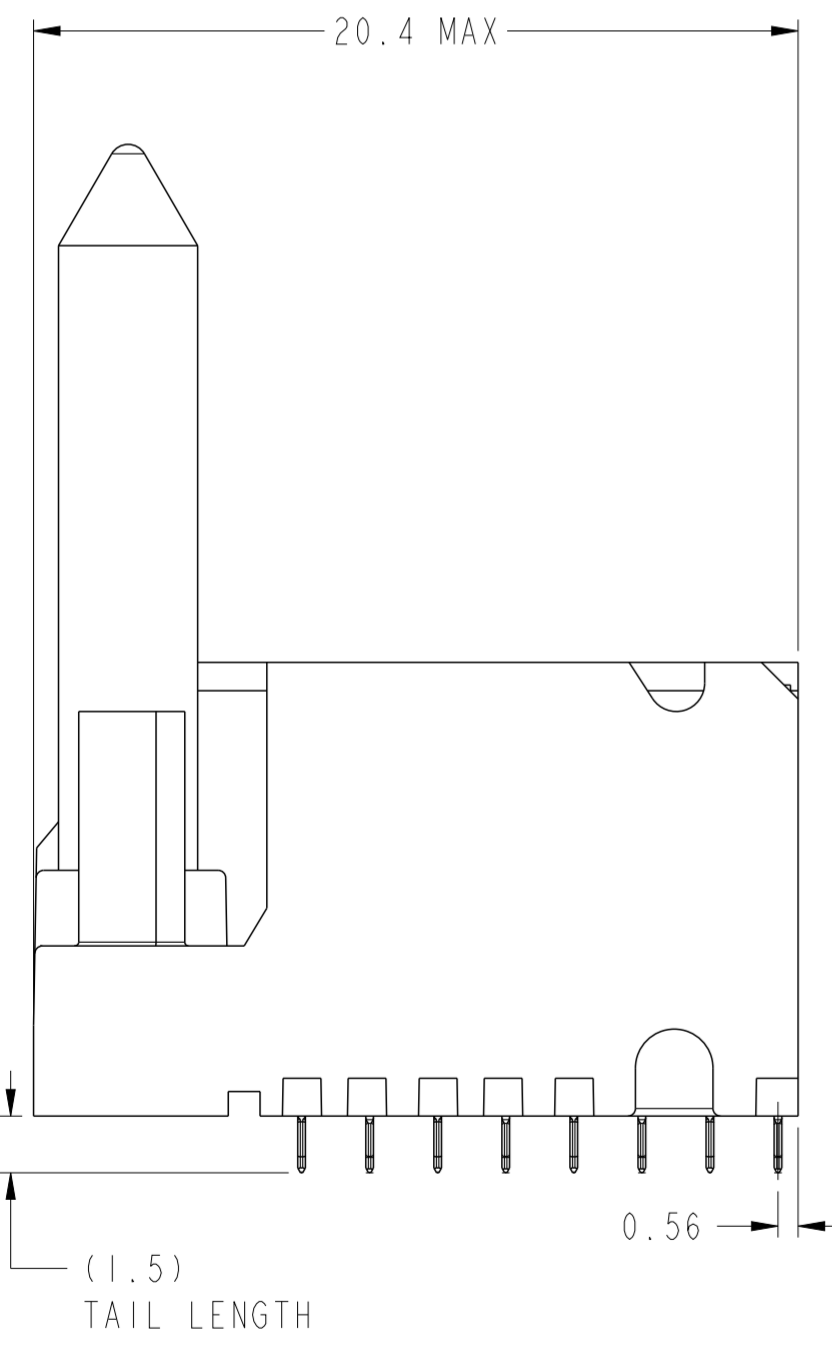
RIGHT POLARIZING / GUIDE MODULE



SEE DETAIL A ON SHEET 8 FOR PINOUT DETAILS

$\varnothing 2.55$
 $\varnothing 2.35$ $\triangle B$
 $\oplus \varnothing 0.15$ XI YI
 SEE NOTE 11 & TABLE 1

BP HOLE PATTERN COMPONENT SIDE
RIGHT POLARIZING / GUIDE MODULE
BACKPLANE FOOTPRINT



(5.2) FOR 3MM WIPE SIGNAL
(4.2) FOR 2MM WIPE SIGNAL
(6.4) FOR 4MM WIPE GROUND
(5.4) FOR 3MM WIPE GROUND

Copyright FCI.

spec ref	-	dr	Yong-Keat Lim	2012/02/17	projection	MM	size	A2	scale	5:1	
tolerance std	ISO 406 ISO 1101	eng	Sandar Soe	2013/03/20			ecn no	ELX-S-14229-1			
surface	ISO 1302	chr	-	appr			Chen-Hong Tan	2013/04/09	product family	XCEDE HD	rel level
TOLERANCES UNLESS OTHERWISE SPECIFIED		linear	0.X	±0.3			title	XCEDE HD VERTICAL HEADER			
			0.XX	±0.10			3 PAIR, 8 COLUMN STITCH HEADER	dwg no	10120124		
		angular	0°	±2°			cat. no.	-			
							Product - Customer Drw	sheet 7 of 8		rev	B

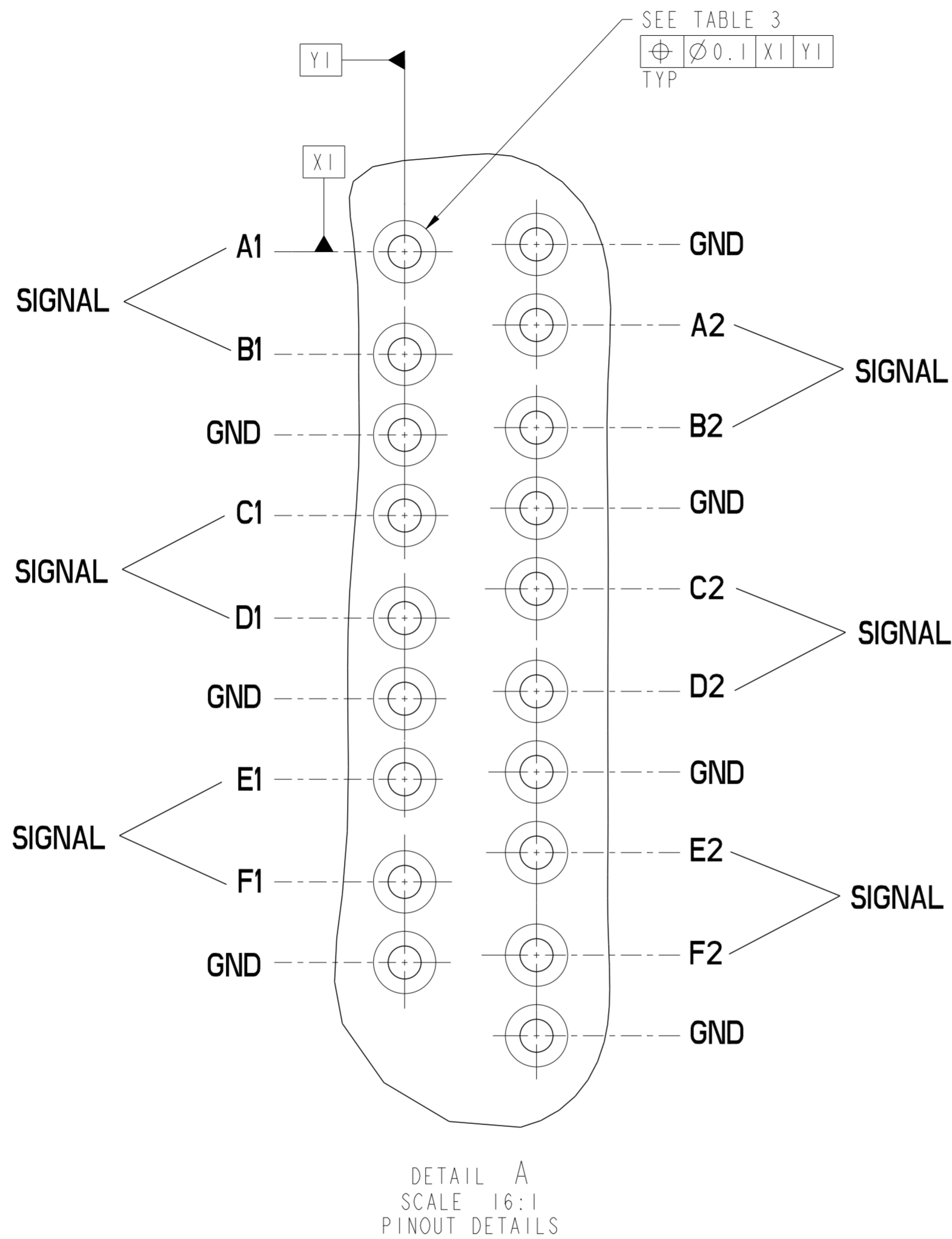


TABLE 3		
	COMPLIANT PIN DRILL $\varnothing 0.55[0.0217"]$	COMPLIANT PIN DRILL $\varnothing 0.45[0.0117"]$
PTH	$\varnothing 0.45 \pm 0.05$	$\varnothing 0.36 \pm 0.05$
DRILL	$\varnothing 0.55[0.0217"]$	$\varnothing 0.45[0.0117"]$
PAD	$\varnothing 0.85$	$\varnothing 0.75$

NOTES:

- CONNECTOR MATERIALS
 SHROUD : HIGH-TEMP POLYMER, COLOR : BLACK, UL94V-0
 CONTACTS : HIGH PERFORMANCE COPPER ALLOY
- PRODUCT SPECIFICATION : GS-12-0936
- APPLICATION SPECIFICATION : GS-20-0348
- PRODUCT MARKING :
 PART NUMBER (10120124-XOE-XXXLF)
 "FCI" AND DATE CODE (FCI P#####)
- NOTCH DESIGNATES "ROW A" SIDE OF CONNECTOR. NOTCH FEATURE ON OPPOSITE FOR PRODUCT MARKING.
- PLATING THICKNESS OF SIGNAL & GROUND CONTACT ARE DETERMINED BY PLATING CODE, REFER TO P/N TREE ON SHEET 1.
- PACKAGING MEETS GS-14-920 LEAD-FREE LABELING SPECIFICATION.
- GUIDE-PIN STYLE DESIGNATION ONLY APPLIES TO MODULE VERSIONS THAT REQUIRE GUIDE-PIN HARDWARE. FOR ALL NON-GUIDE-PIN VERSIONS, THE DEFAULT DASH-NUMBER DIGIT IN THAT LOCATION IS STILL "0".
- SEE APPLICATION SPECIFICATION FOR ROUTING GUIDELINES, ADDITIONAL PTH GUIDELINES, MATED DIMENSIONS, GUIDE PIN SELECTION, ETC.
- A $\triangle B$ SYMBOL WILL BE NEXT TO ANY DIMENSION, VIEW OR NOTE THAT HAS BEEN MODIFIED WITH THE CURRENT DRAWING REVISION.
- $\triangle B$ (1) OPTIONAL HOLE LOCATION FOR GROUNDED PIN OR ADDITIONAL GUIDE-PIN SUPPORT. SEE TABLE 1 SHEET 1 FOR ADDITIONAL DETAILS.
- $\triangle B$ (2) SCREW IS OPTIONAL AND ENGAGES WITH BOTTOM OF GUIDE PIN FROM BENEATH THE PCB FOR ADDITIONAL GUIDE-PIN SUPPORT.

spec ref	-	dr	Yong-Keat Lim	2012/02/17	projection	MM	size	A2	scale	5:1
tolerance std	ISO 406 ISO 1101	eng	Sandar Soe	2013/03/20			ecn no	ELX-S-14229-1	rel level	Released
TOLERANCES UNLESS OTHERWISE SPECIFIED		chr	-	appr						
surface	ISO 1302	linear	0.X	± 0.3			title	XCEDE HD VERTICAL HEADER		10120124 rev B
			0.XX	± 0.10				3 PAIR, 8 COLUMN STITCH HEADER		
		angular	0°	$\pm 2^\circ$	cat. no. -		Product - Customer Drw		sheet 8 of 8	