



Chipsmall Limited consists of a professional team with an average of over 10 year of expertise in the distribution of electronic components. Based in Hongkong, we have already established firm and mutual-benefit business relationships with customers from,Europe,America and south Asia,supplying obsolete and hard-to-find components to meet their specific needs.

With the principle of “Quality Parts,Customers Priority,Honest Operation,and Considerate Service”,our business mainly focus on the distribution of electronic components. Line cards we deal with include Microchip,ALPS,ROHM,Xilinx,Pulse,ON,Everlight and Freescale. Main products comprise IC,Modules,Potentiometer,IC Socket,Relay,Connector.Our parts cover such applications as commercial,industrial, and automotives areas.

We are looking forward to setting up business relationship with you and hope to provide you with the best service and solution. Let us make a better world for our industry!



Contact us

Tel: +86-755-8981 8866 Fax: +86-755-8427 6832

Email & Skype: info@chipsmall.com Web: www.chipsmall.com

Address: A1208, Overseas Decoration Building, #122 Zhenhua RD., Futian, Shenzhen, China



1 2 3 4 5 6 7 8
 10120128 - X 0 C - X X X L F

6-COLUMN DIFFERENTIAL SIGNAL

LEAD-FREE DESIGNATION ONLY WITH APPLICABLE PLATING CODES

| LETTER | PLATING (SEE NOTE 6) | |
|--------|----------------------|-------------------------------|
| | APPLICATION | TYPE (REFERENCE) |
| B | TELCORDIA CO | 0.76um GOLD or GXT |
| C | TELCORDIA UE | 1.27um GOLD |
| D | TELCORDIA CO | 0.76um GOLD or GXT, LEAD-FREE |
| E | TELCORDIA UE | 1.27um GOLD, LEAD-FREE |

| NUMBER | GUIDE PIN STYLE (SEE NOTE 8) |
|--------|------------------------------|
| 0 | STANDARD GUIDE PIN, MACHINED |
| 1 | STANDARD GUIDE PIN, ROLLED |

| NUMBER | CONTACT MATING WIPE LENGTH | | COMPLIANT TAIL TYPE (SEE NOTE 9) |
|--------|----------------------------|--------|----------------------------------|
| | SIGNAL | GROUND | |
| 1 | 2 MM | 4 MM | 0.55 (0.0217") DRILL |
| 2 | 3 MM | 4 MM | 0.55 (0.0217") DRILL |
| 3 | 2 MM | 4 MM | 0.45 MICRO (0.0177") DRILL |
| 4 | 3 MM | 4 MM | 0.45 MICRO (0.0177") DRILL |
| 5 | 2 MM | 3 MM | 0.55 (0.0217") DRILL |
| 6 | 3 MM | 3 MM | 0.55 (0.0217") DRILL |
| 7 | 2 MM | 3 MM | 0.45 MICRO (0.0177") DRILL |
| 8 | 3 MM | 3 MM | 0.45 MICRO (0.0177") DRILL |

FOR CUSTOM-LOADED MODULES, SEE INDIVIDUAL CUSTOM DRAWINGS WITH THE DRAWING-NUMBER FORMAT OF 10120128-XXXX, WHERE: "X" DENOTES MODULE TYPE PER CHART ON THIS SHEET "YYYY" IS A SEQUENTIAL NUMBER BEGINNING WITH "0001".

| MODULE DESCRIPTION | LETTER DESIGNATION REPRESENTED IN DASH NUMBER | | | | | | | | | | BASE MODULE |
|--|---|---|---|---|---|---|---|---|---|---|-------------|
| | N | J | A | B | C | D | E | F | G | H | |
| LEFT POLARIZING GUIDANCE MODULE (SEE SHEET 6) | NO KEY NO GUIDE PIN | | | | | | | | | | |
| RIGHT POLARIZING GUIDANCE MODULE (SEE SHEET 7) | NO KEY NO GUIDE PIN | | | | | | | | | | |
| OPEN MODULE (TWO WALL) (SEE SHEET 2) | 0 (ZERO) | | | | | | | | | | |
| LEFT WALL MODULE (SEE SHEET 3) | L | | | | | | | | | | |
| RIGHT WALL MODULE (SEE SHEET 4) | M | | | | | | | | | | |
| FOUR WALL MODULE (SEE SHEET 5) | 1 (ONE) | | | | | | | | | | |

| | UNGROUNDED | GROUNDED |
|------------|-------------|-------------|
| FHS | Ø2.35-Ø2.55 | Ø2.35-Ø2.55 |
| PAD | N/A | Ø5.50 |
| PLATED | NO | YES |
| DRILL (mm) | 2.44mm | 2.58mm |
| DRILL (in) | 0.096" | 0.1015" |

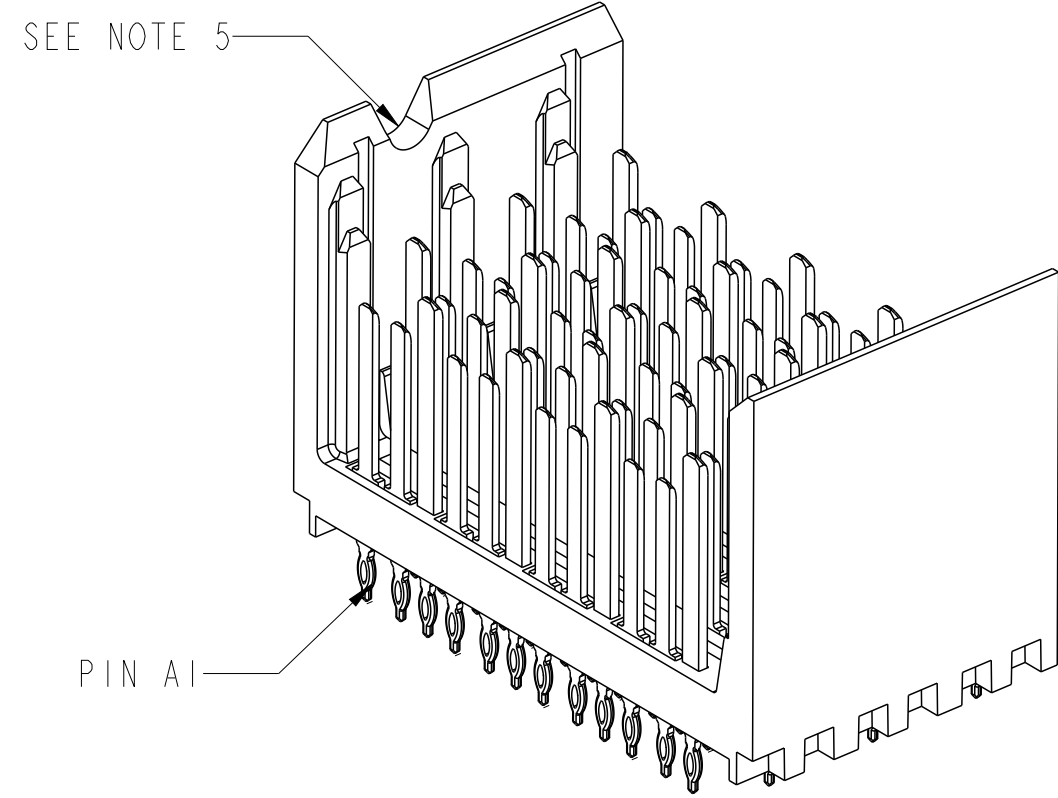
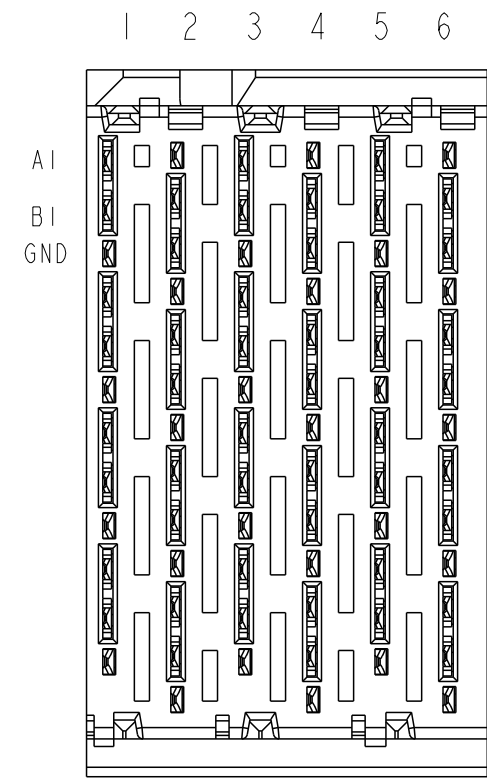
| SCREW P/N | DESCRIPTION | BOARD THICKNESS |
|----------------|--|-----------------|
| 10091790-002LF | #2-56 X 0.375" LG. PHILIPS PANHEAD W/SQ CONICAL WASHER | 1.60-5.00mm |
| 10091790-003LF | #2-56 X 0.375" LG. PHILIPS PANHEAD W/SQ CONICAL WASHER | 5.00-10.00mm |

| spec ref | TOLERANCES UNLESS OTHERWISE SPECIFIED | | |
|---------------|---------------------------------------|-------|--------|
| tolerance std | TOLERANCES UNLESS OTHERWISE SPECIFIED | | |
| ISO 406 | 0.X | ±0.3 | |
| ISO 1101 | 0.XX | ±0.10 | |
| surface | linear | 0.XXX | ±0.050 |
| ISO 1302 | angular | 0° | ±2° |

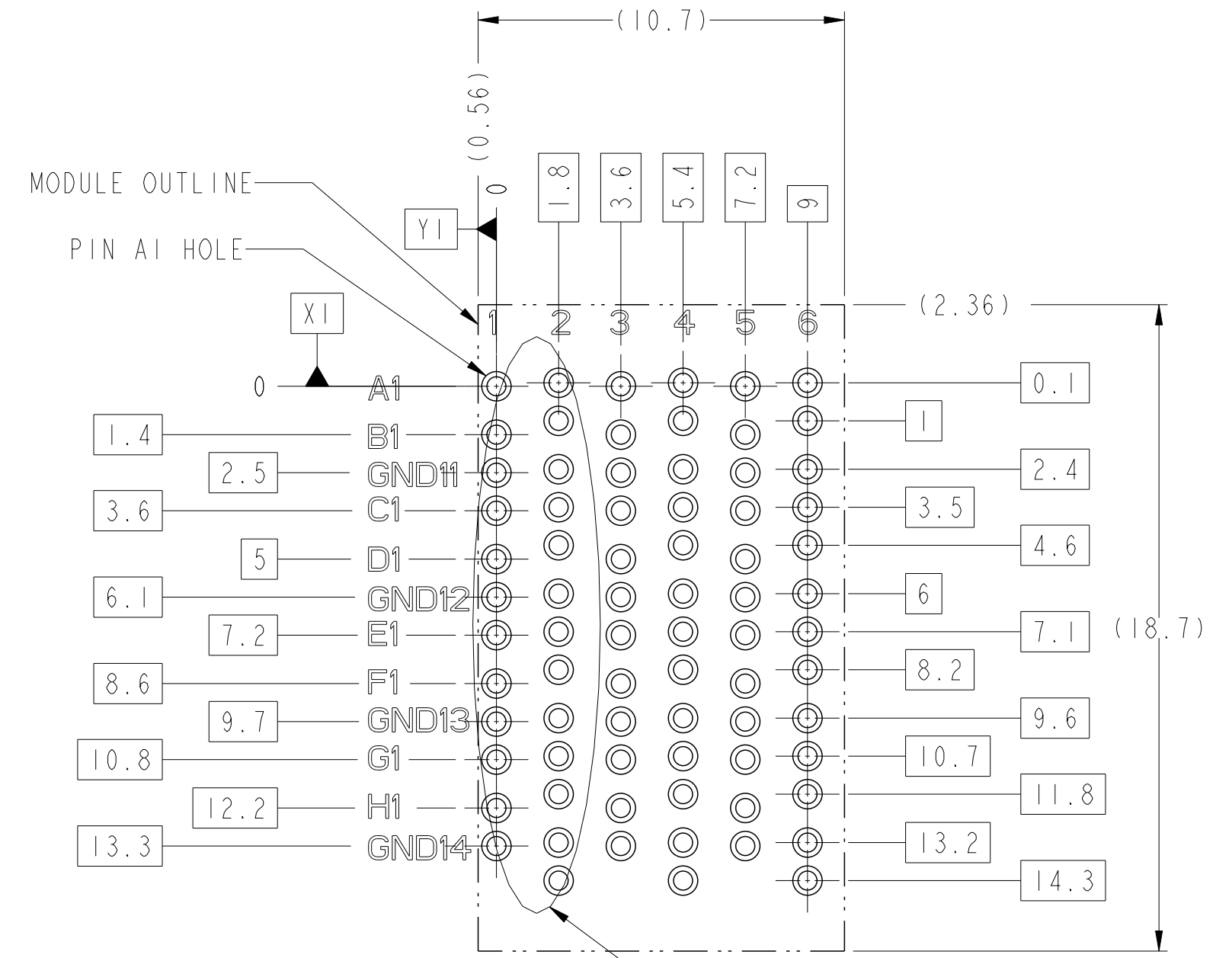
| | | | | | | | | | |
|--------------|---------------|----------------------------------|----------------|----|-----------|---------------|--------------|------------------------|---|
| dr | Yong-Keat Lim | 2012/03/01 | projection | mm | size | A2 | scale | 1:1 | |
| eng | Sandar Soe | 2016/03/08 | | mm | ecn no | ELX-S-17624-1 | rel level | Released | |
| chr | - | - | | | | | | | |
| appr | Chen-Hong Tan | 2016/03/17 | product family | - | rel level | Released | cat. no. | Product - Customer Drw | |
| Amphenol FCI | | MODULE ASSEMBLY, XCEDE HD | | | cat. no. | 10120128 | sheet 1 of 8 | rev | C |
| www.fci.com | | Vertical Header, 4 Pair 6 Column | | | | | | | |

Amphenol FCI

© 2016 AFCI

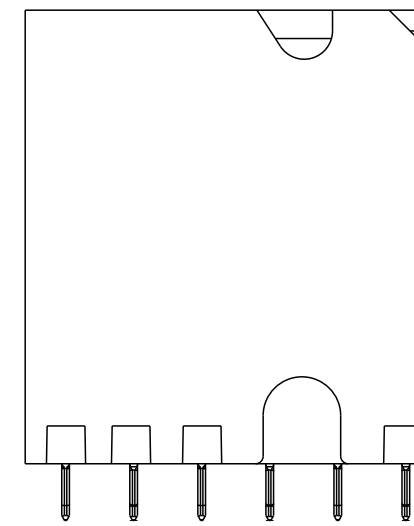
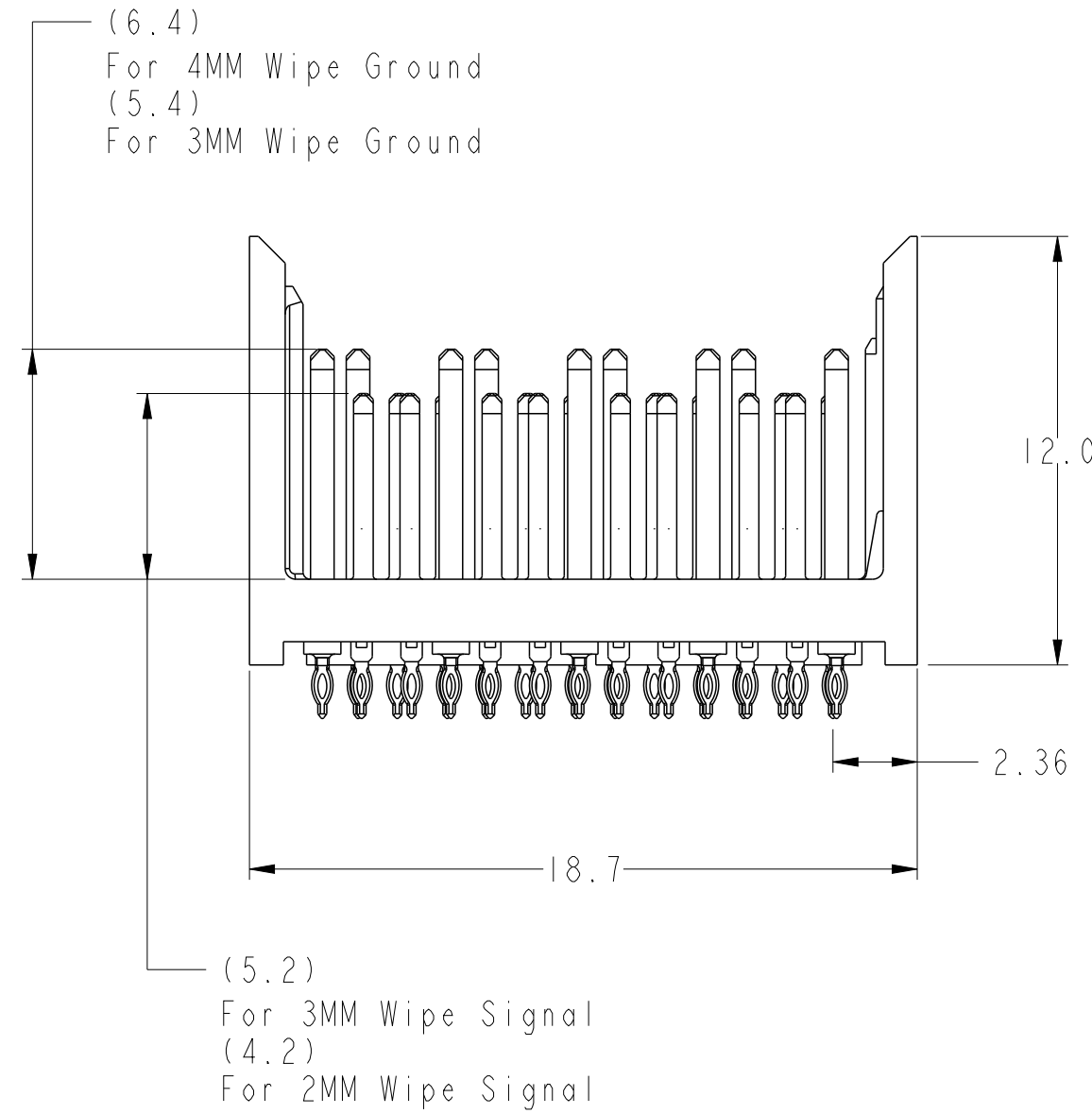
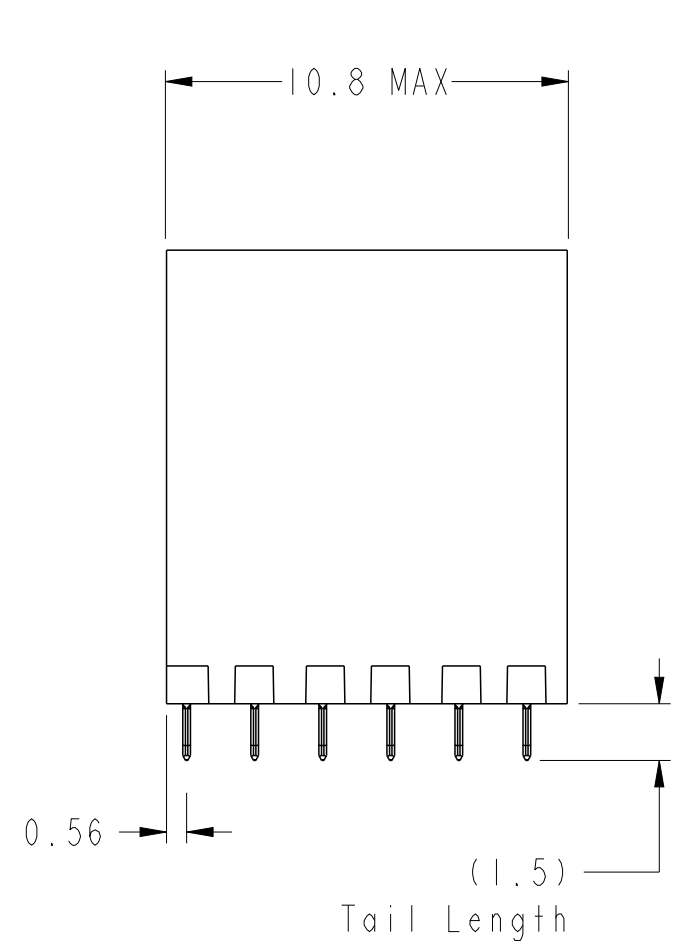


OPEN WALL MODULE

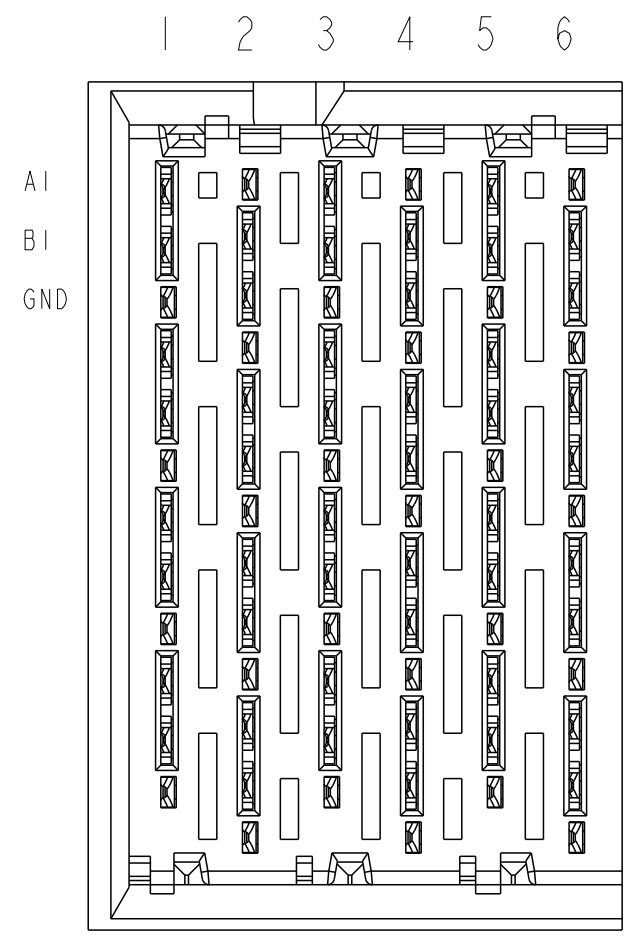


BP HOLE PATTERN COMPONENT SIDE

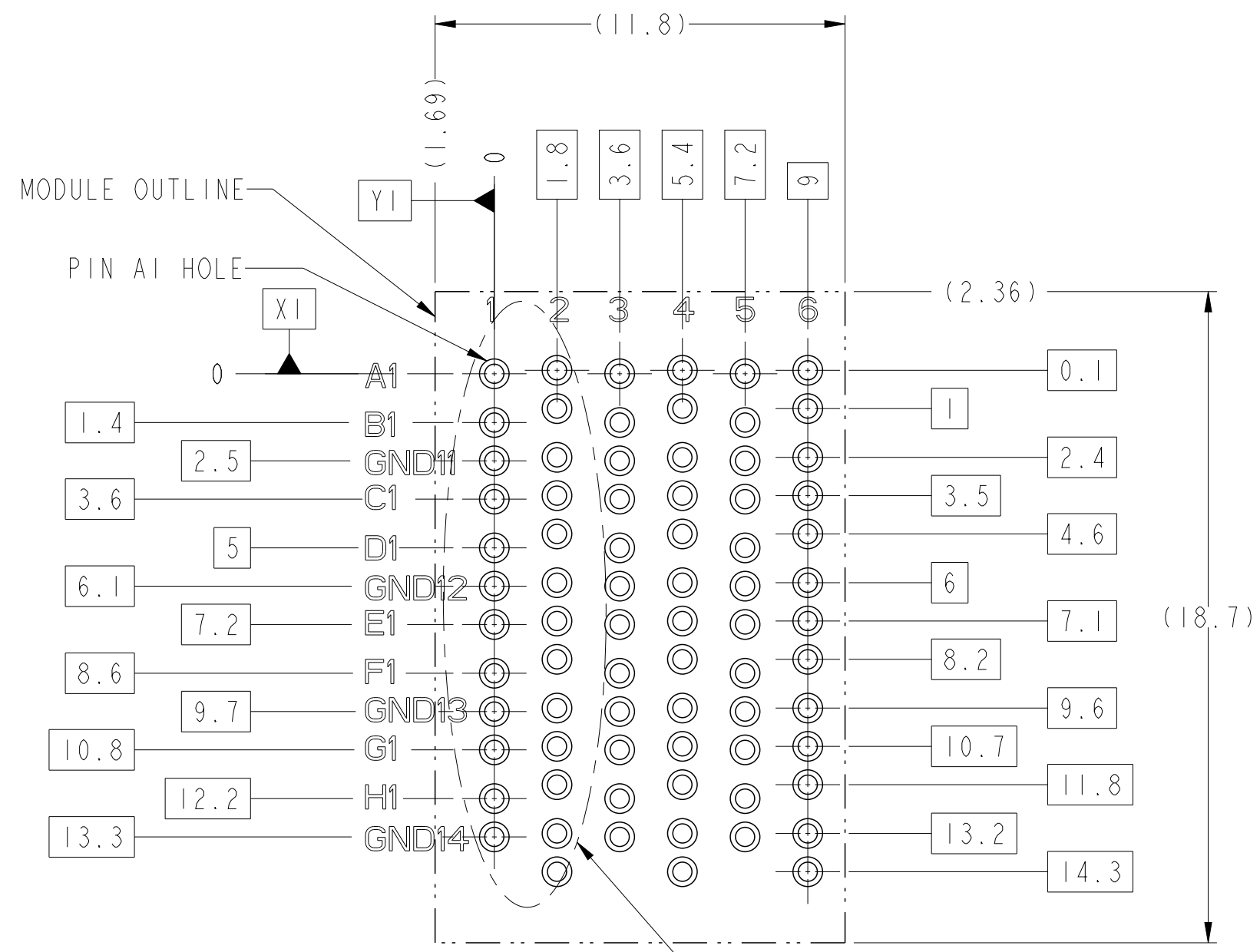
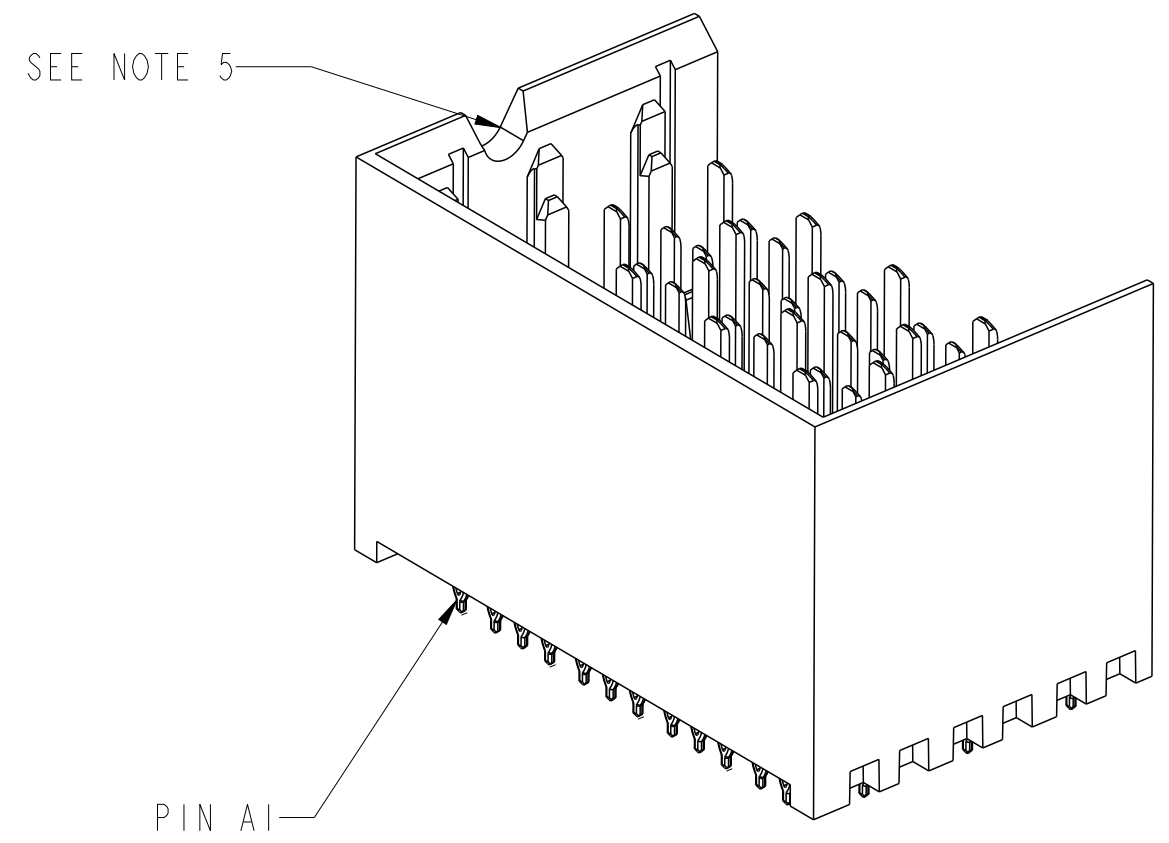
OPEN WALL MODULE BACKPLANE FOOTPRINT



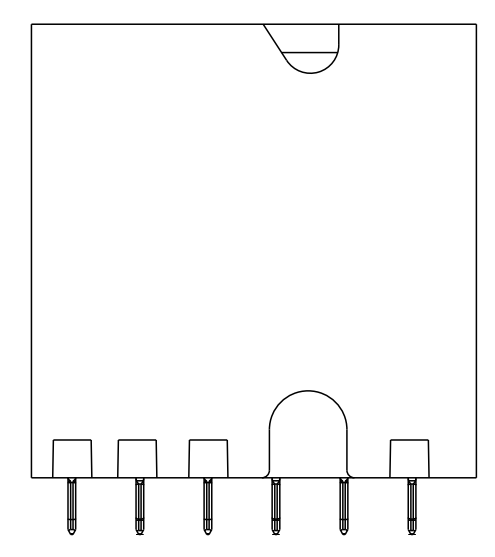
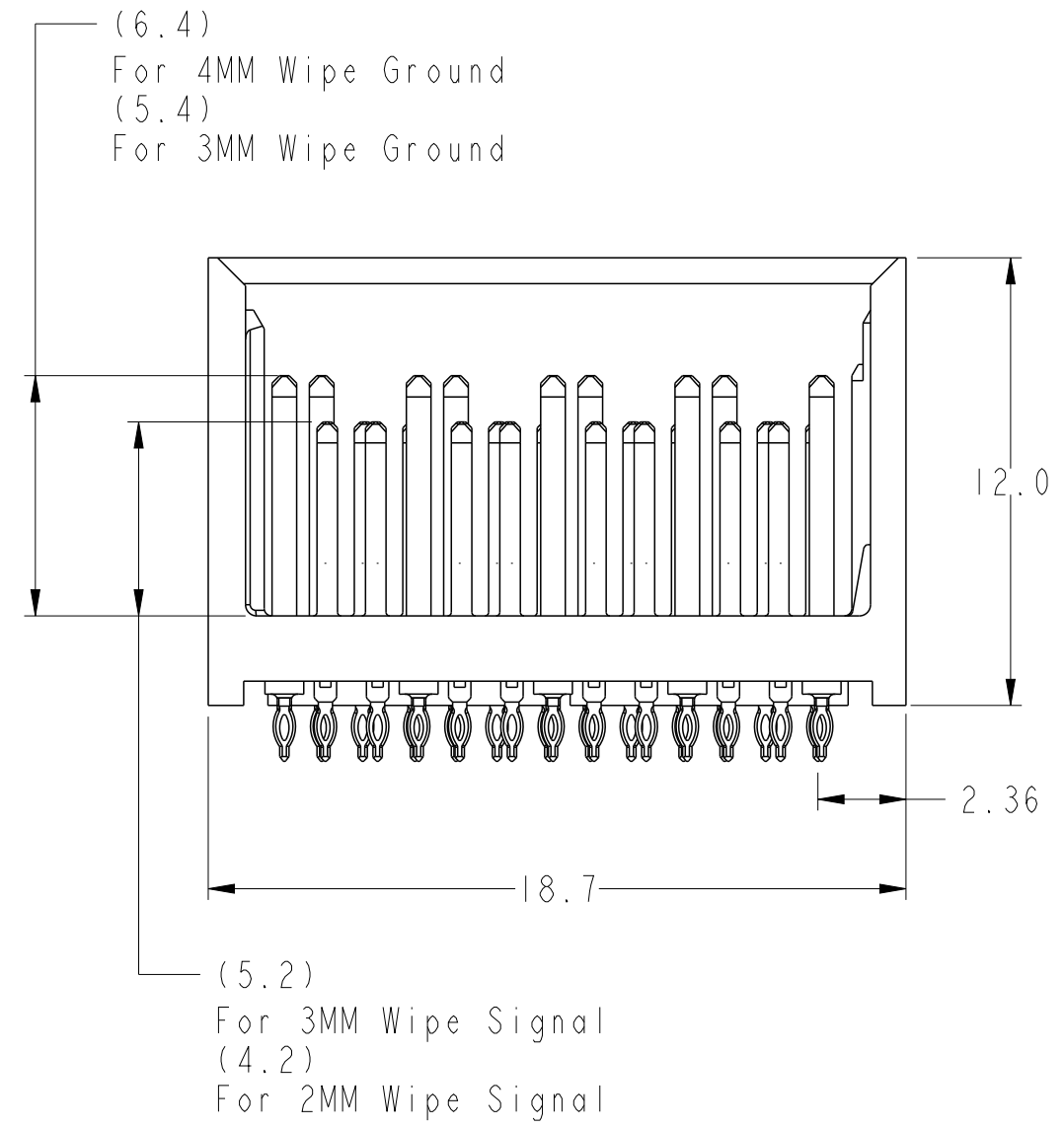
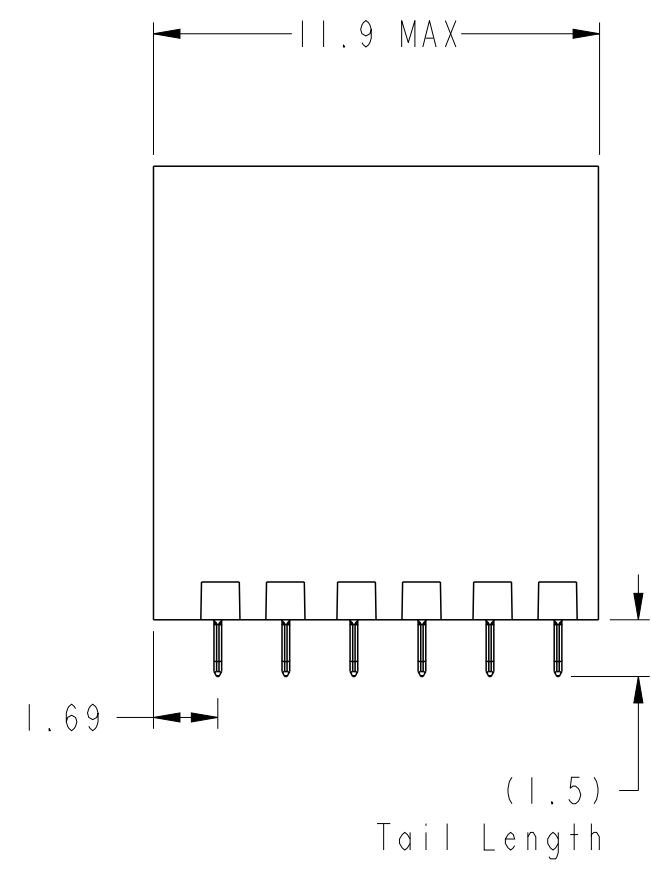
| | | | | | | | | | | |
|---------------------------------------|---------------------|---------|---------------|------------|-------------|----|------------------------|---------------|-----------|----------|
| spec ref | - | dr | Yong-Keat Lim | 2012/03/01 | projection | mm | size | A2 | scale | 2:1 |
| tolerance std | ISO 406 ISO 1101 | eng | Sandar Soe | 2016/03/08 | | mm | ecn no | ELX-S-17624-1 | rel level | Released |
| TOLERANCES UNLESS OTHERWISE SPECIFIED | | chr | - | appr | | | | | | |
| surface | ISO 1302 | linear | 0.X | ±0.3 | | | cat. no. | 10120128 | rev | C |
| | | angular | 0° | ±2° | www.fci.com | | Product - Customer Drw | sheet 2 of 8 | | |



LEFT WALL MODULE



SEE DETAIL A
On Sheet 8 For Details



BP HOLE PATTERN COMPONENT SIDE
LEFT WALL MODULE BACKPLANE FOOTPRINT

Amphenol
FCi

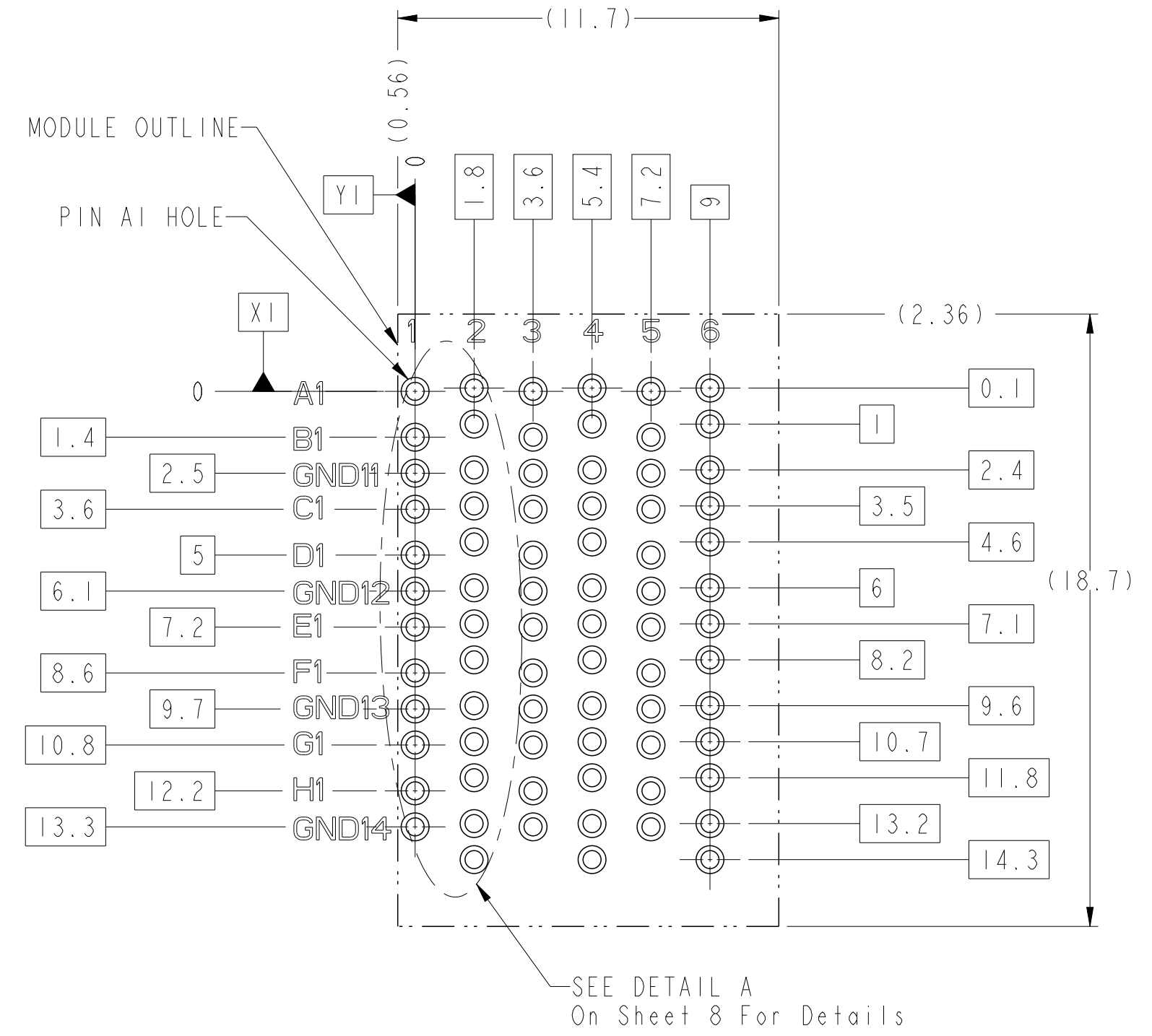
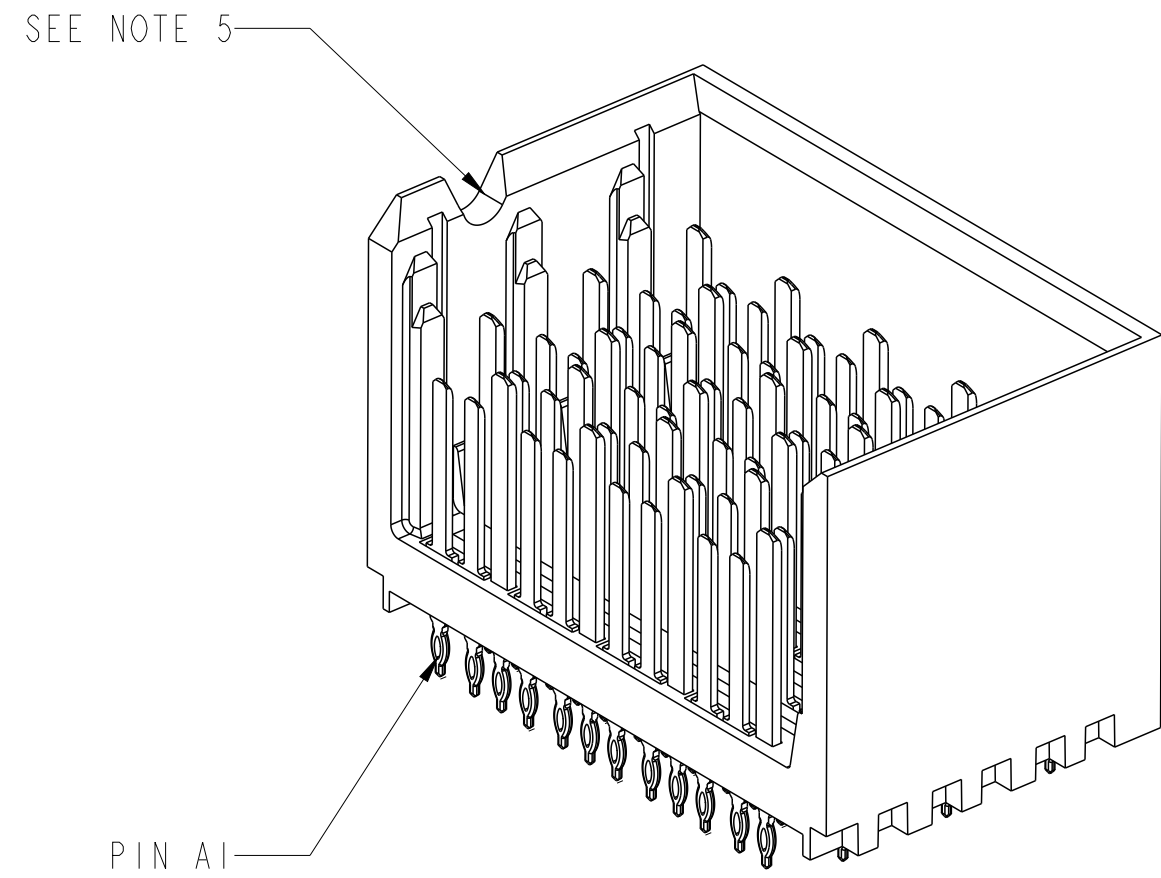
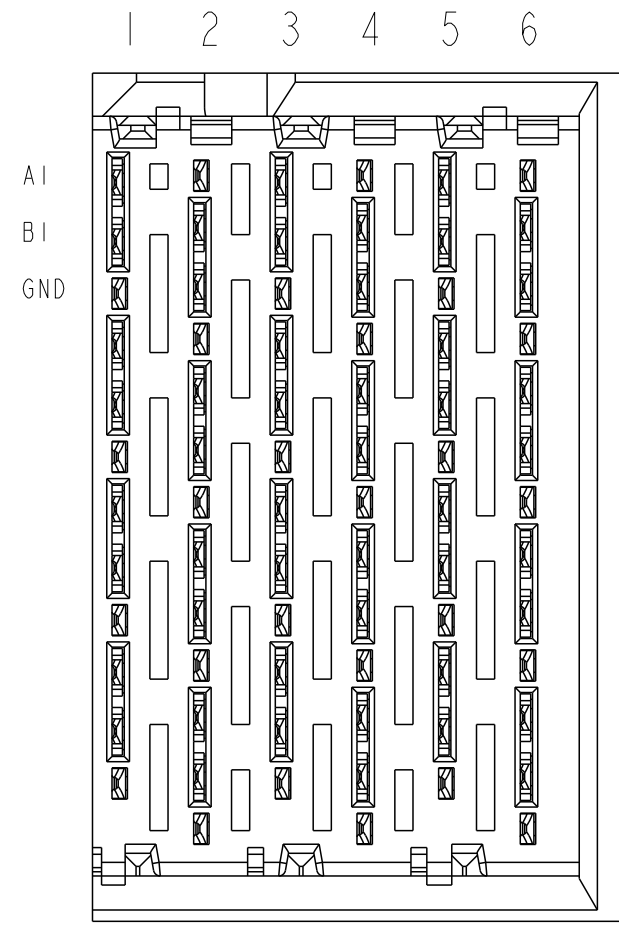
© 2016 AFci

| | | | | | | | | | | | |
|---------------------------------------|---------------------|---------|---------------|------------|-------------|----------|--------|---------------------------|--------------|----------|---------------|
| spec ref | - | dr | Yong-Keat Lim | 2012/03/01 | projection | mm | size | A2 | scale | 2:1 | |
| tolerance std | ISO 406 ISO 1101 | eng | Sandar Soe | 2016/03/08 | | mm | ecn no | ELX-S-17624-1 | rel level | Released | |
| TOLERANCES UNLESS OTHERWISE SPECIFIED | | chr | - | appr | | | | | | | Chen-Hong Tan |
| surface | ISO 1302 | linear | 0.X | ±0.3 | | | title | MODULE ASSEMBLY, XCEDE HD | dwg no | 10120128 | |
| | | angular | 0° | ±2° | www.fci.com | cat. no. | - | Product - Customer Drw | sheet 3 of 8 | rev | C |

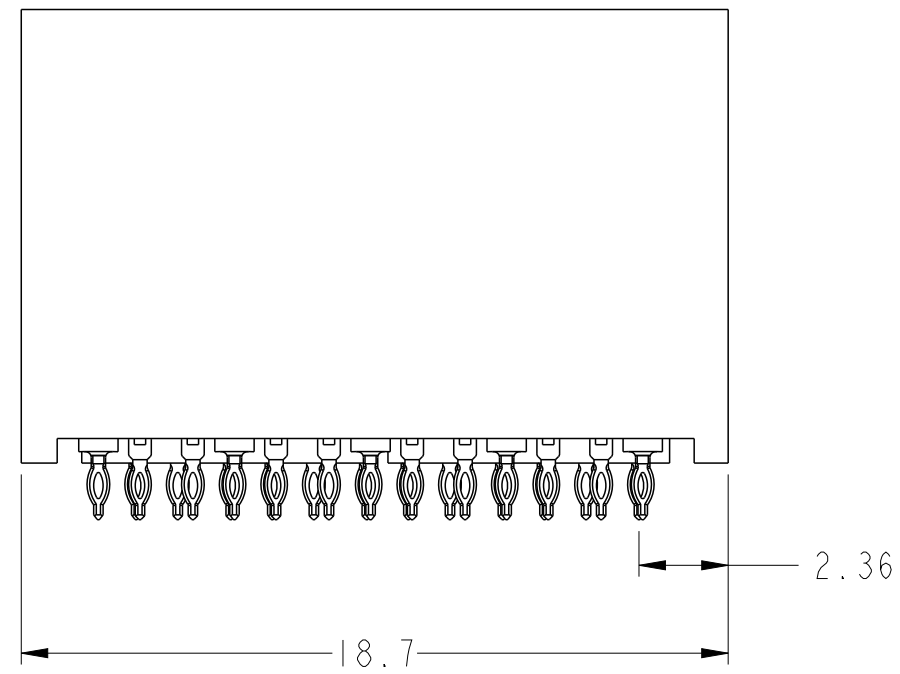
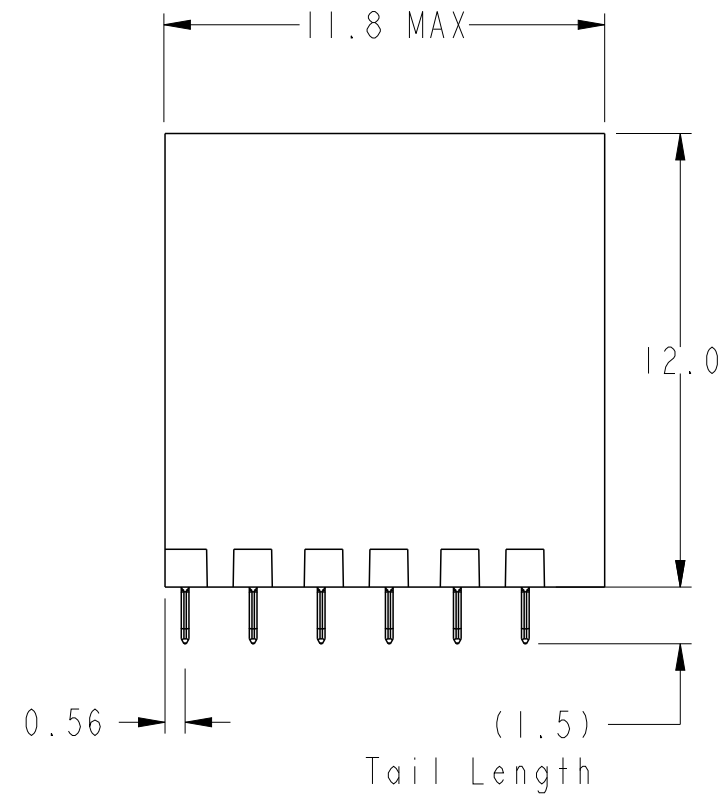
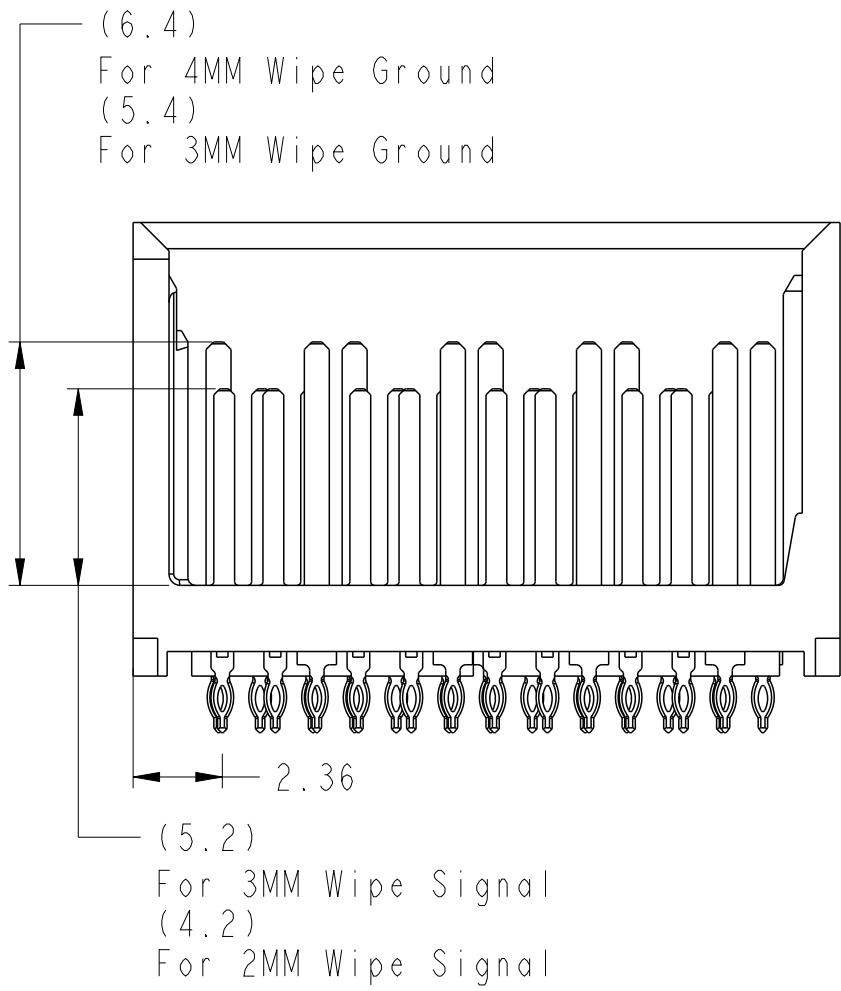
PDS: Rev :C

STATUS:Released

Printed: Mar 17, 2016



RIGHT WALL MODULE



**BP HOLE PATTERN COMPONENT SIDE
RIGHT WALL MODULE BACKPLANE FOOTPRINT**

Amphenol
FCi

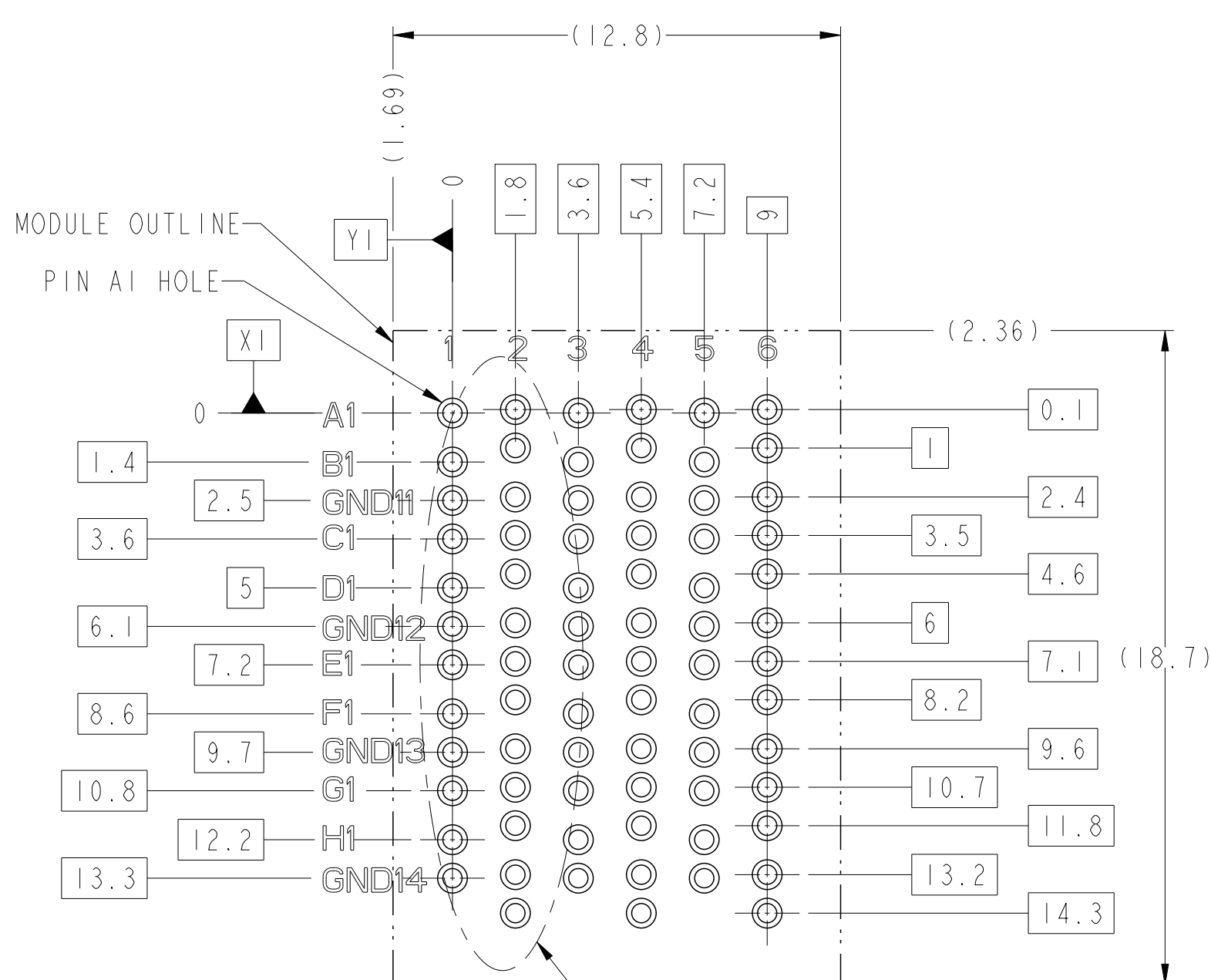
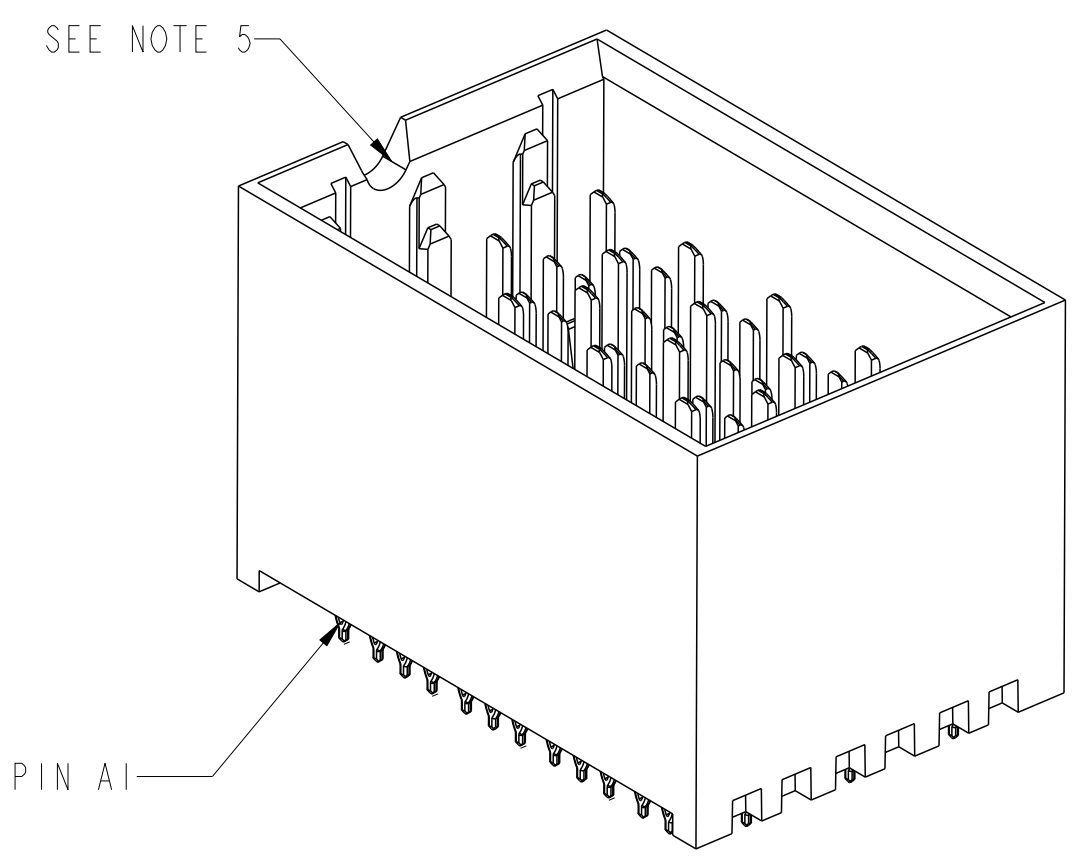
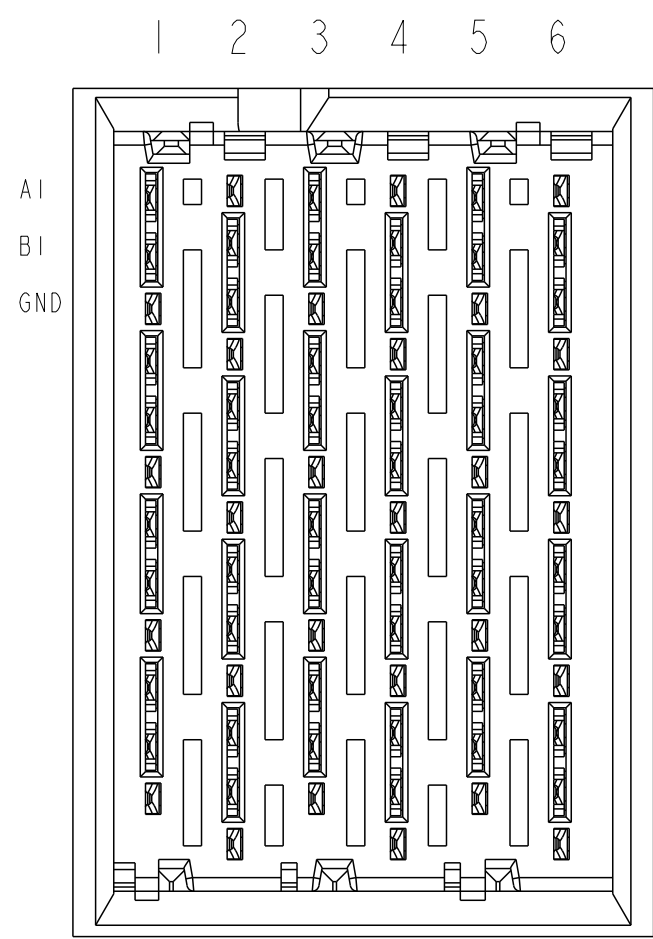
© 2016 AFci

| | | | | | | | | | | |
|---------------------------------------|---------------------|---------|---------------|------------|---------------------|----|----------|---------------------------|------------------------|--------------|
| spec ref | - | dr | Yong-Keat Lim | 2012/03/01 | projection | mm | size | A2 | scale | 2:1 |
| tolerance std | ISO 406 ISO 1101 | eng | Sandar Soe | 2016/03/08 | | mm | ecn no | ELX-S-17624-1 | rel level | Released |
| TOLERANCES UNLESS OTHERWISE SPECIFIED | | chr | - | appr | | | | | | |
| surface | ISO 1302 | linear | 0.X | ±0.3 | Amphenol FCI | | title | MODULE ASSEMBLY, XCEDE HD | dwg no | 10120128 |
| | | | 0.XX | ±0.10 | www.fci.com | | cat. no. | - | Product - Customer Drw | sheet 4 of 8 |
| | | | 0.XXX | ±0.050 | | | | | | |
| | | angular | 0° | ±2° | | | | | | |

PDS: Rev :C

STATUS:Released

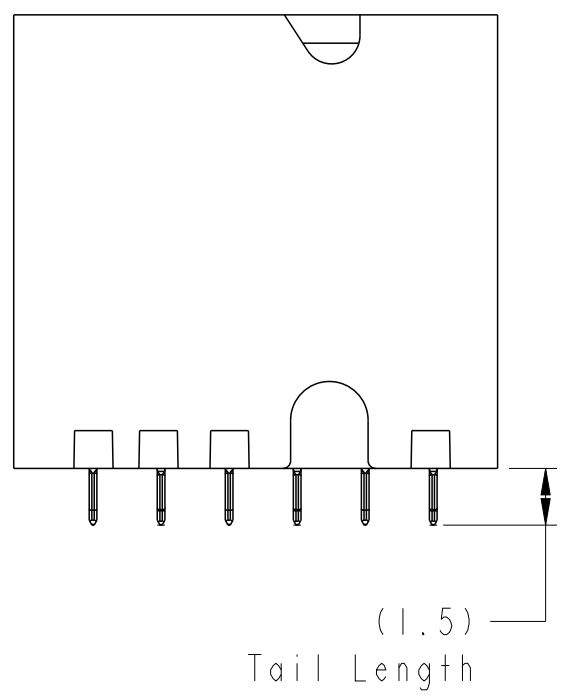
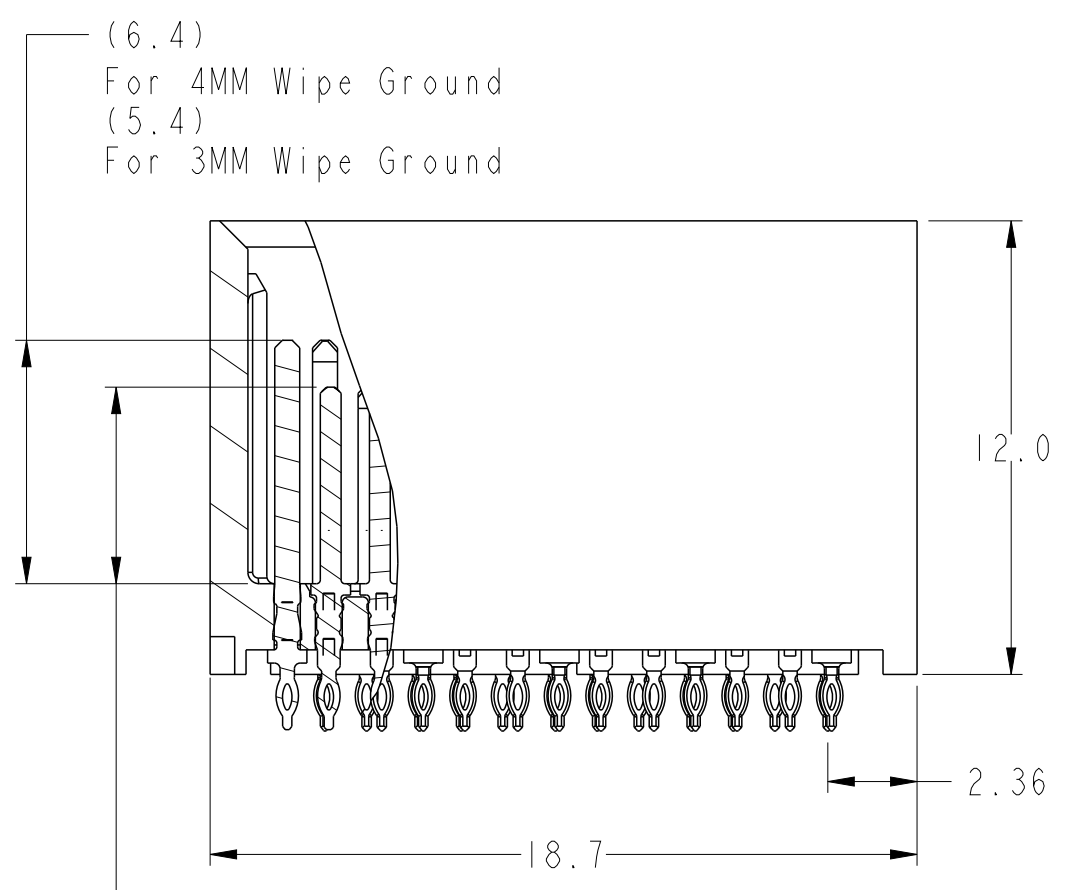
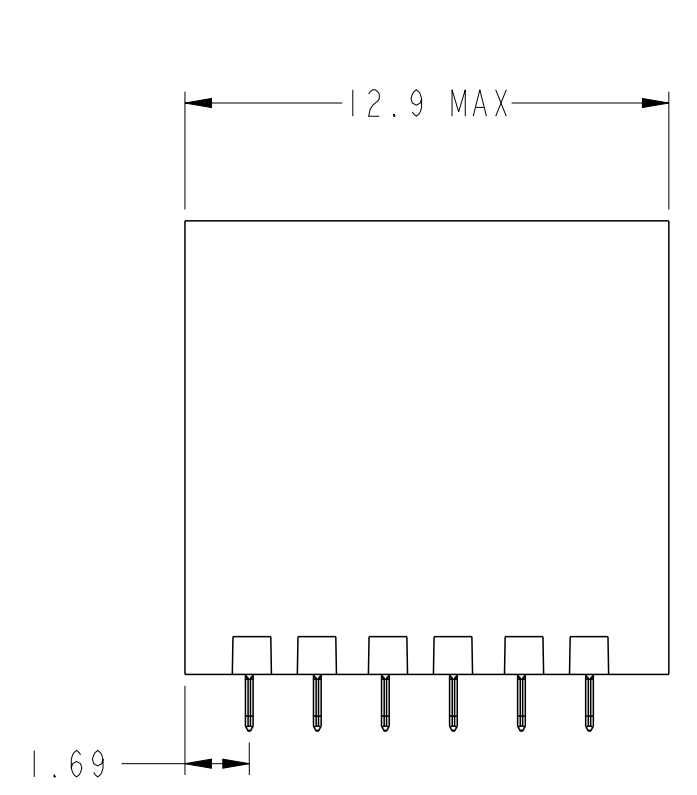
Printed: Mar 17, 2016



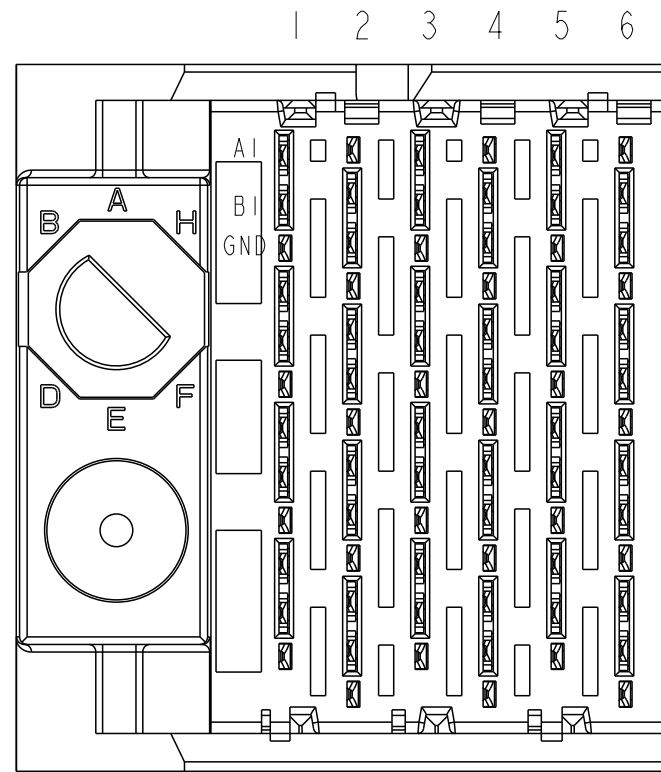
△ FOUR WALL MODULE

BP HOLE PATTERN COMPONENT SIDE

△ FOUR WALL MODULE BACKPLANE FOOTPRINT

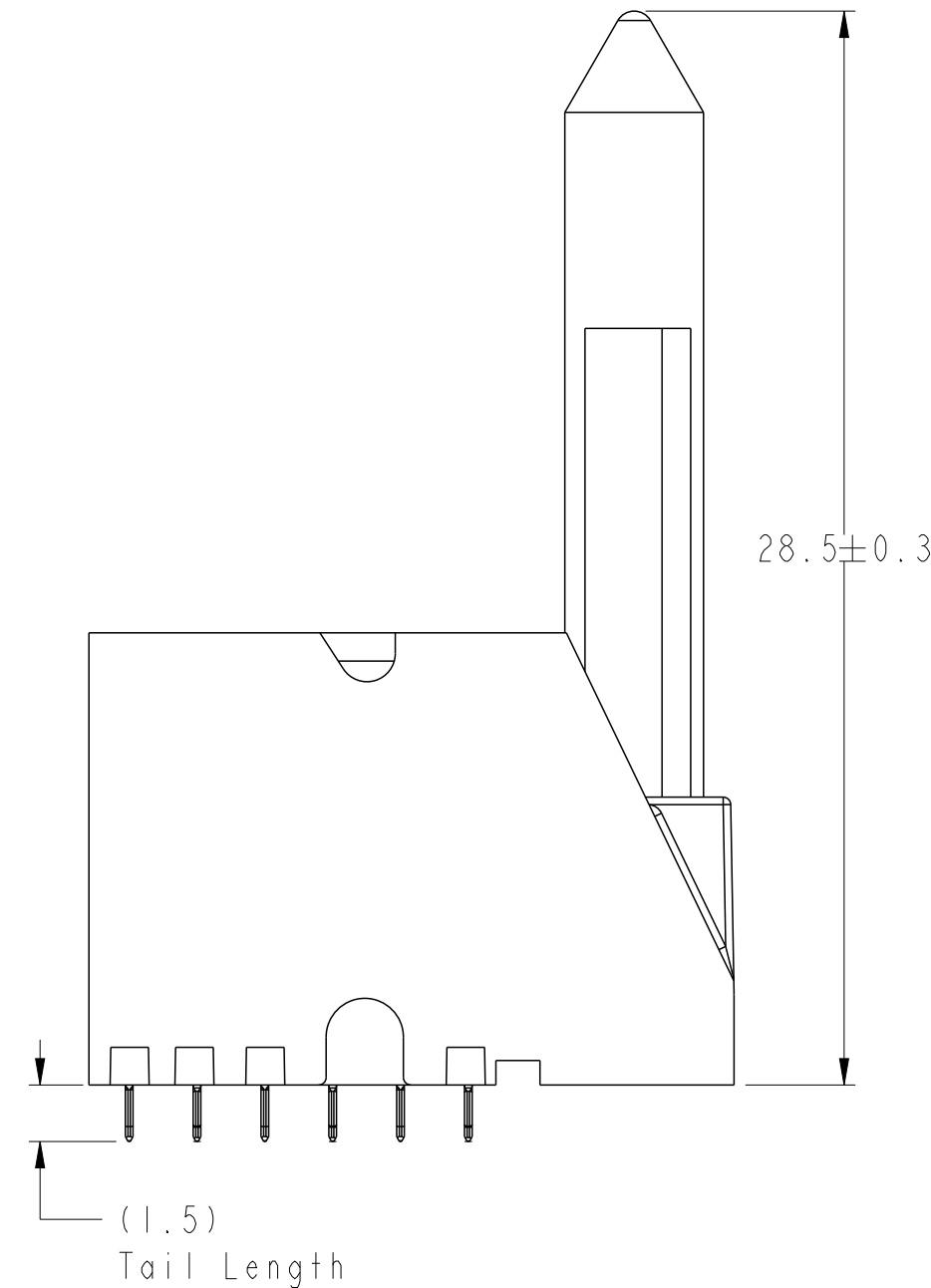
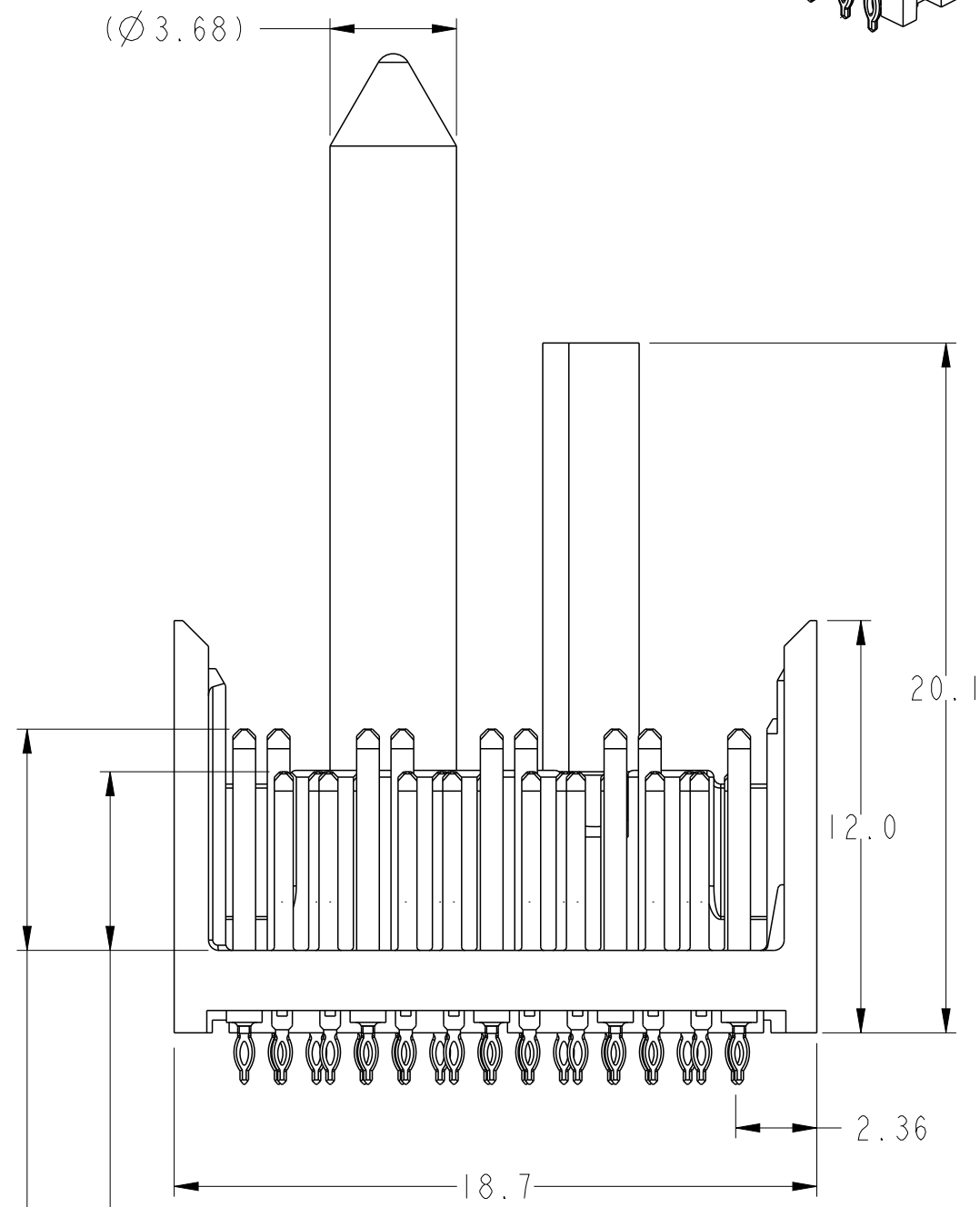
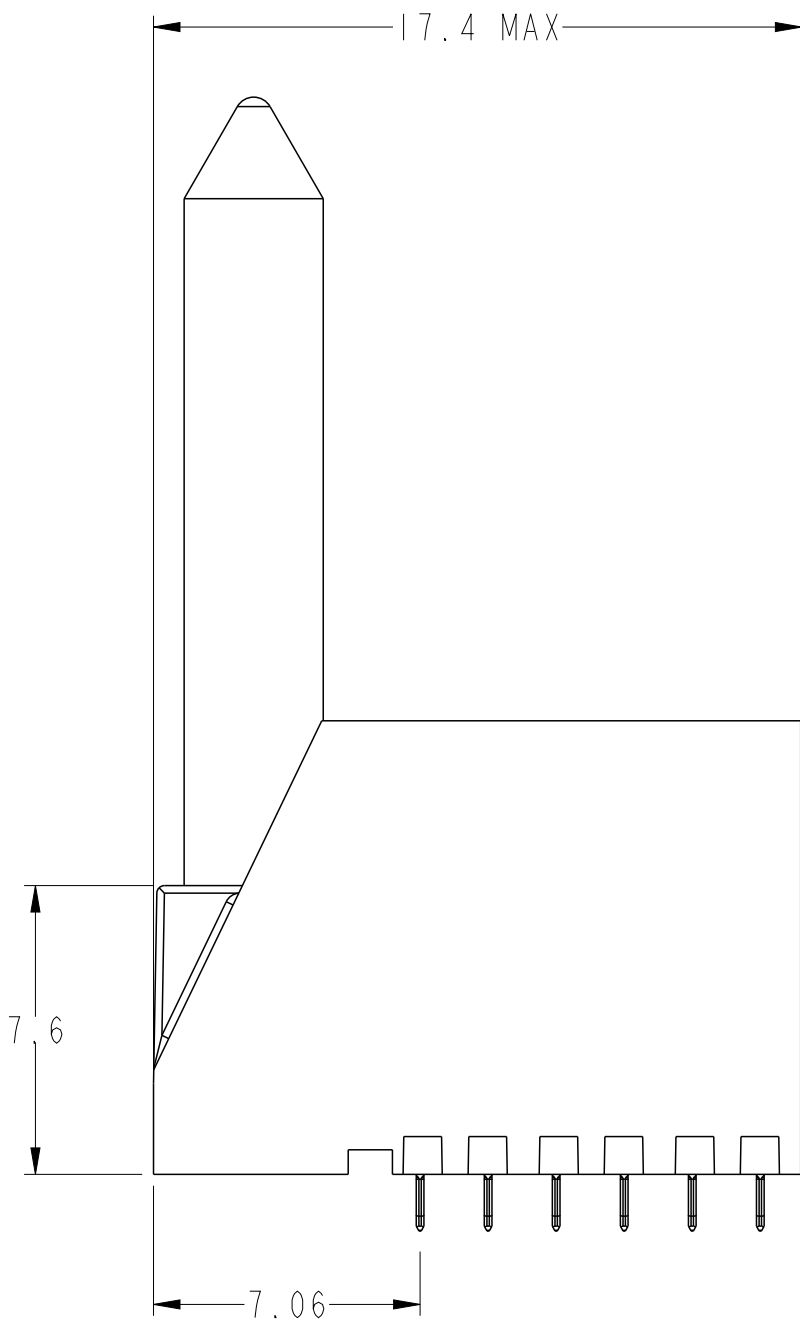
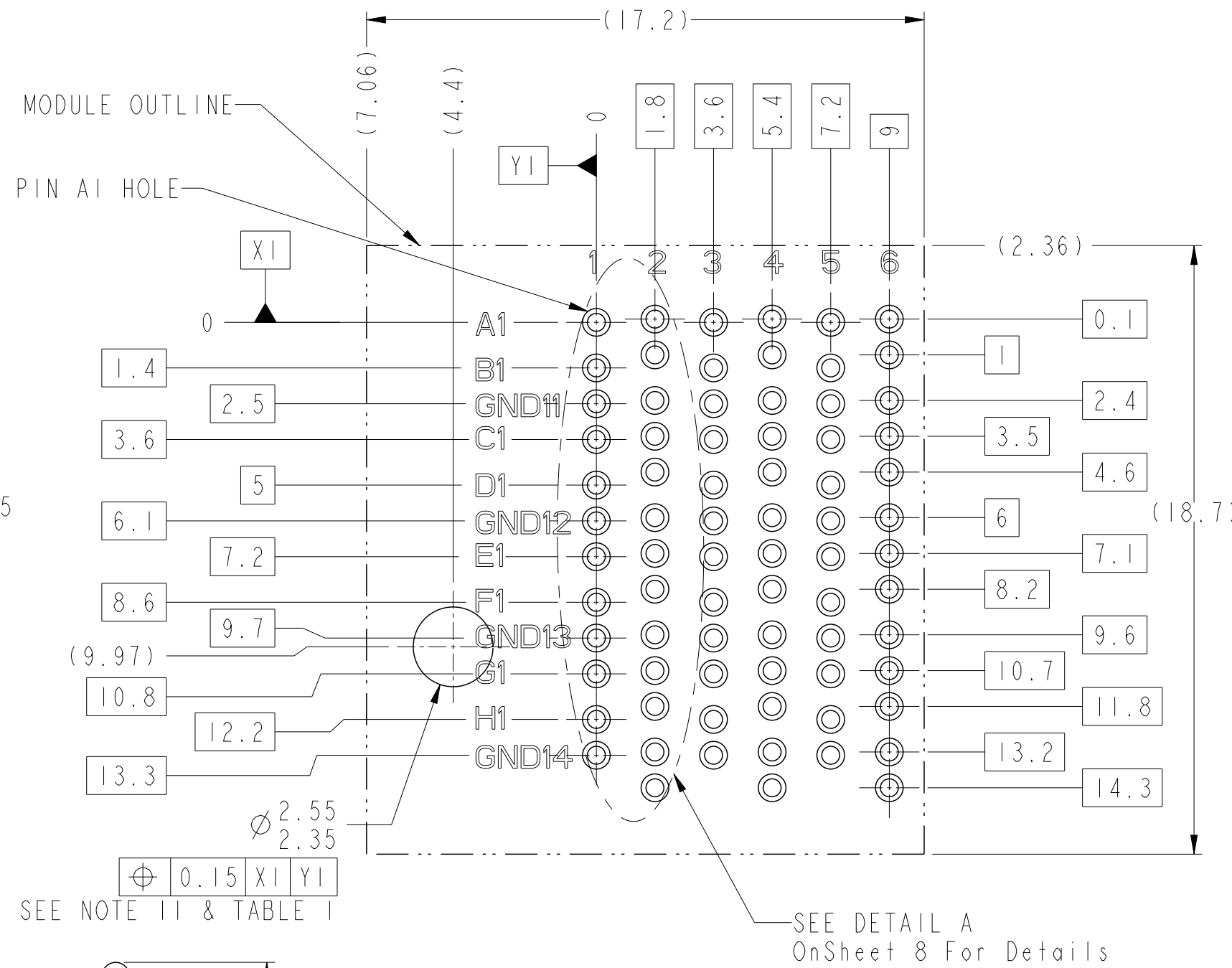
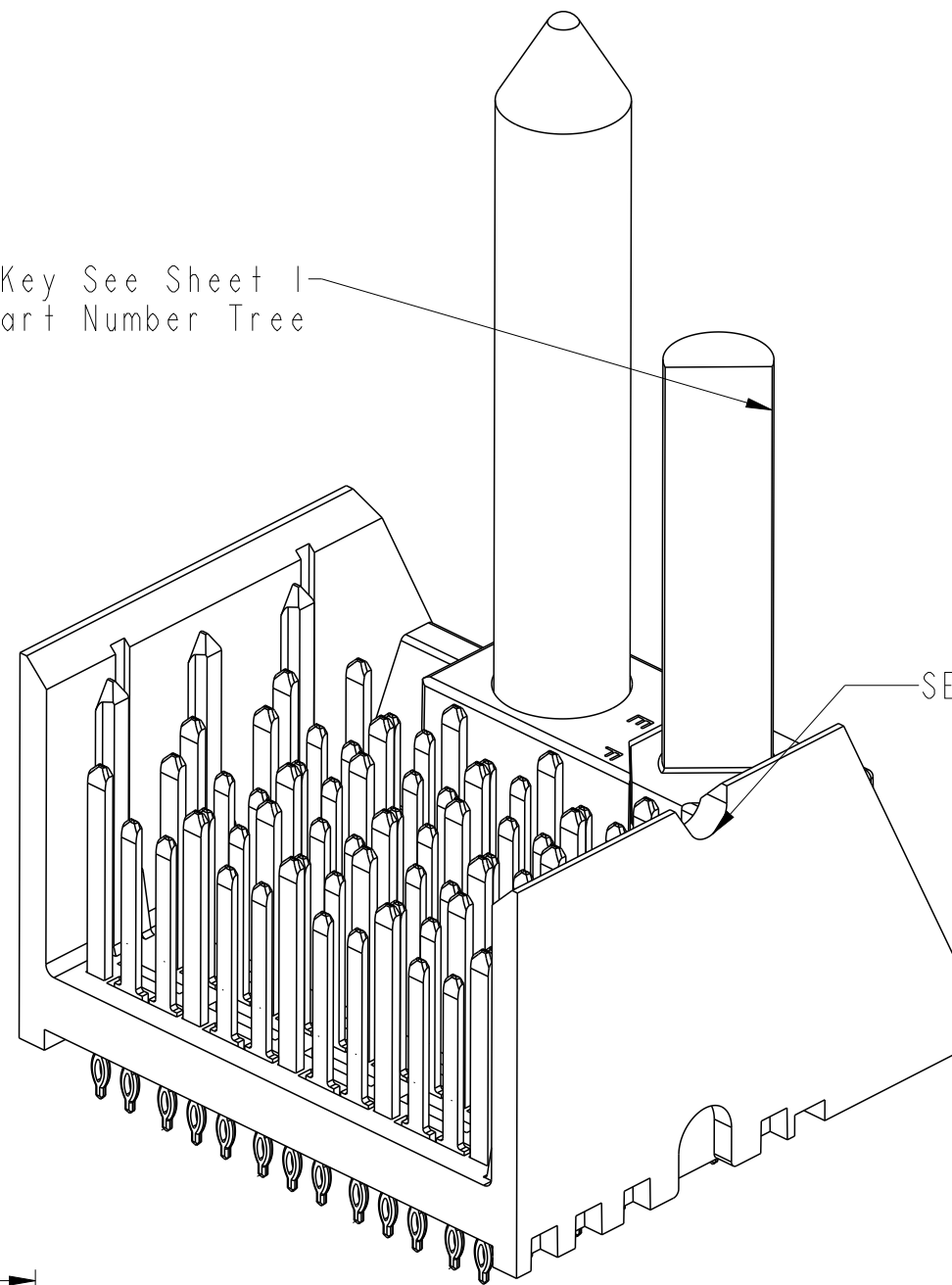


| | | | | | | | | | | | |
|---------------------------------------|---------------------|---------|---------------|------------|-------------|----------|--------|---------------------------|--------------|----------|---------------|
| spec ref | - | dr | Yong-Keat Lim | 2012/03/01 | projection | mm | size | A2 | scale | 2:1 | |
| tolerance std | ISO 406 ISO 1101 | eng | Sandar Soe | 2016/03/08 | | mm | ecn no | ELX-S-17624-1 | rel level | Released | |
| TOLERANCES UNLESS OTHERWISE SPECIFIED | | chr | - | appr | | | | | | | Chen-Hong Tan |
| surface | ISO 1302 | linear | 0.X | ±0.3 | | | title | MODULE ASSEMBLY, XCEDE HD | | rev | C |
| | | angular | 0° | ±2° | www.fci.com | cat. no. | - | Product - Customer Drw | sheet 5 of 8 | | |



LEFT POLARIZING/GUIDE MODULE

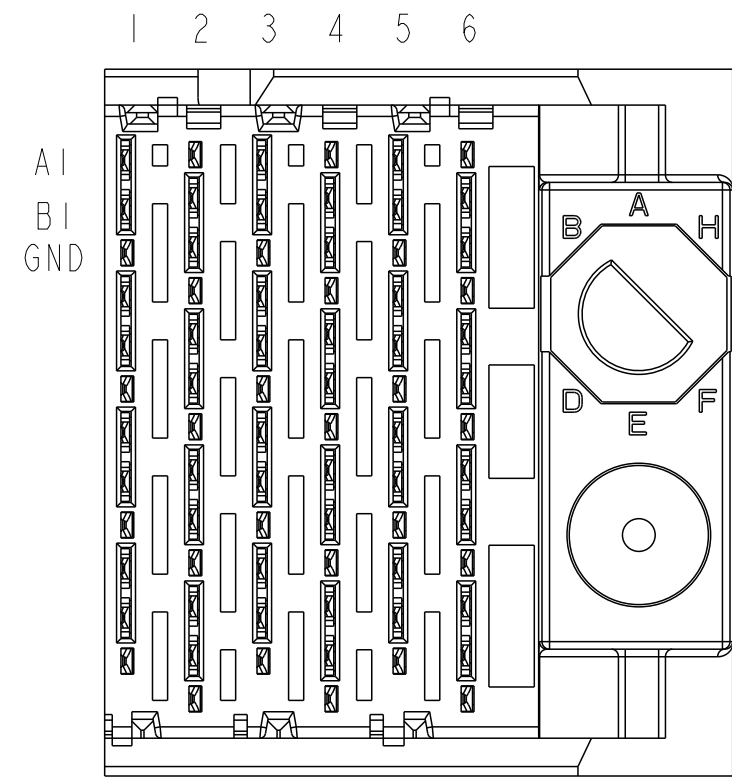
Optional Key See Sheet 1
Part Number Tree



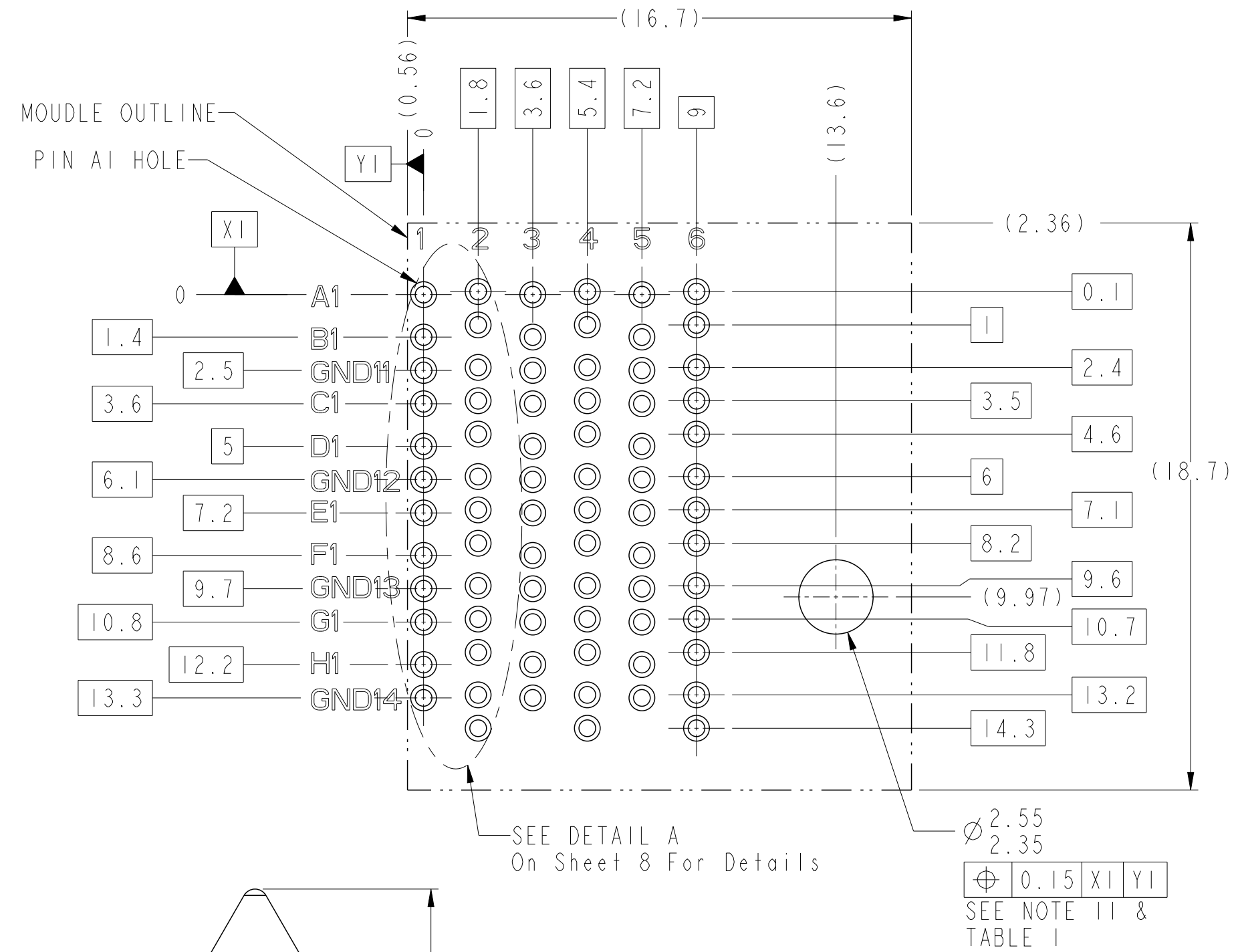
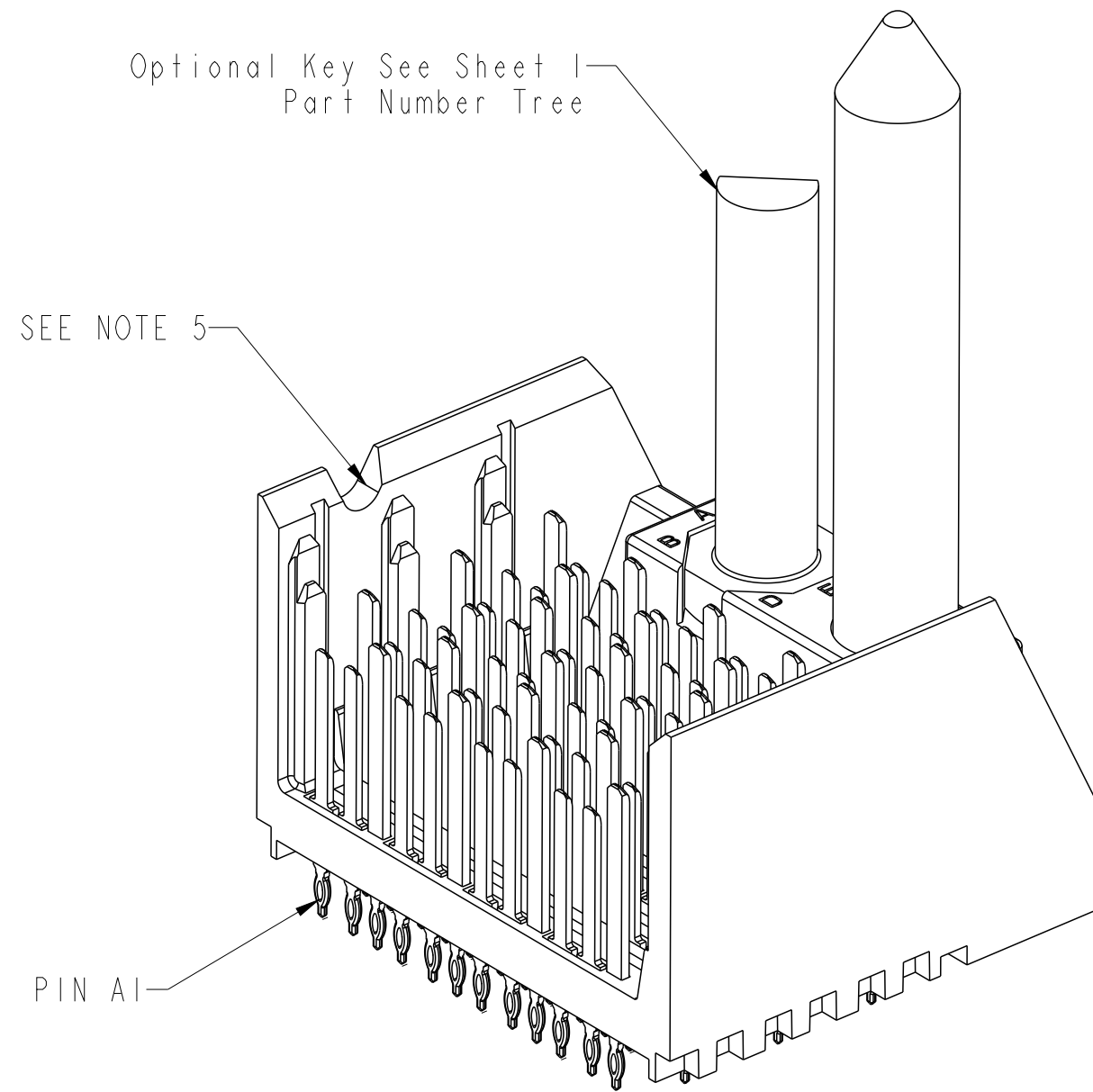
BP HOLE PATTERN COMPONENT SIDE
**LEFT POLARIZING GUIDE MODULE
BACKPLANE FOOTPRINT**

- (5.2) For 3MM Wipe Signal
- (4.2) For 2MM Wipe Signal
- (6.4) For 4MM Wipe Ground
- (5.4) For 3MM Wipe Ground

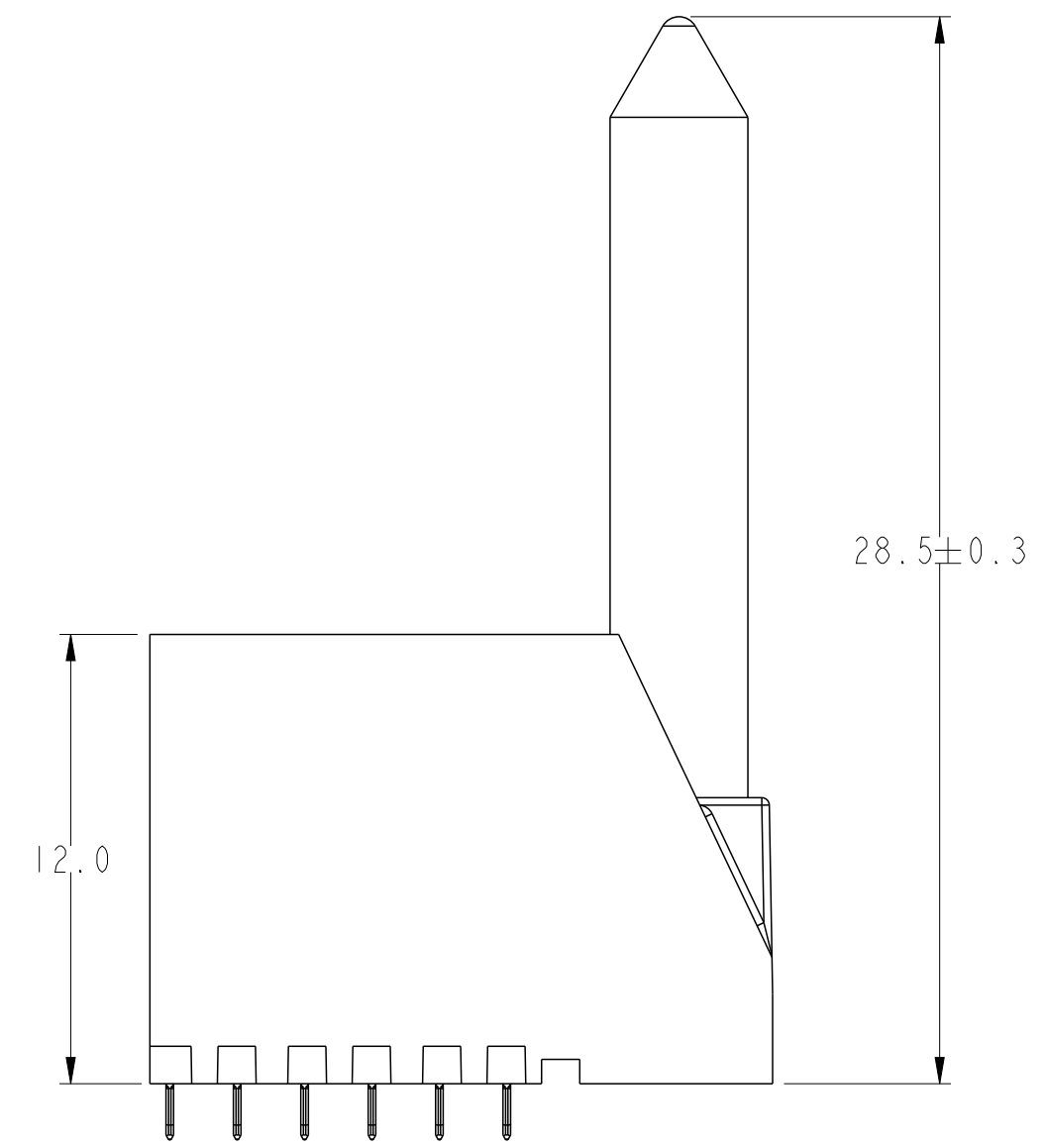
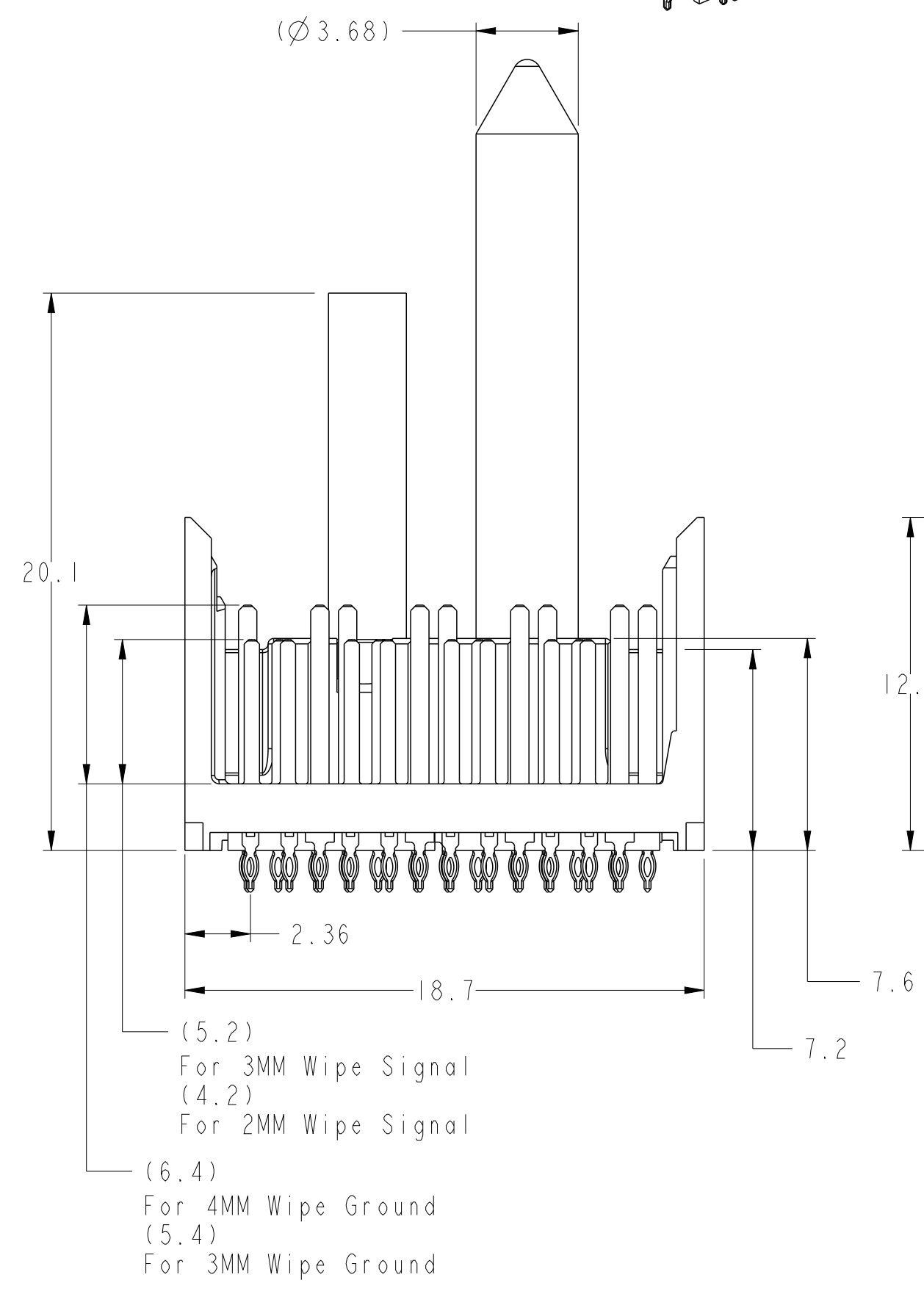
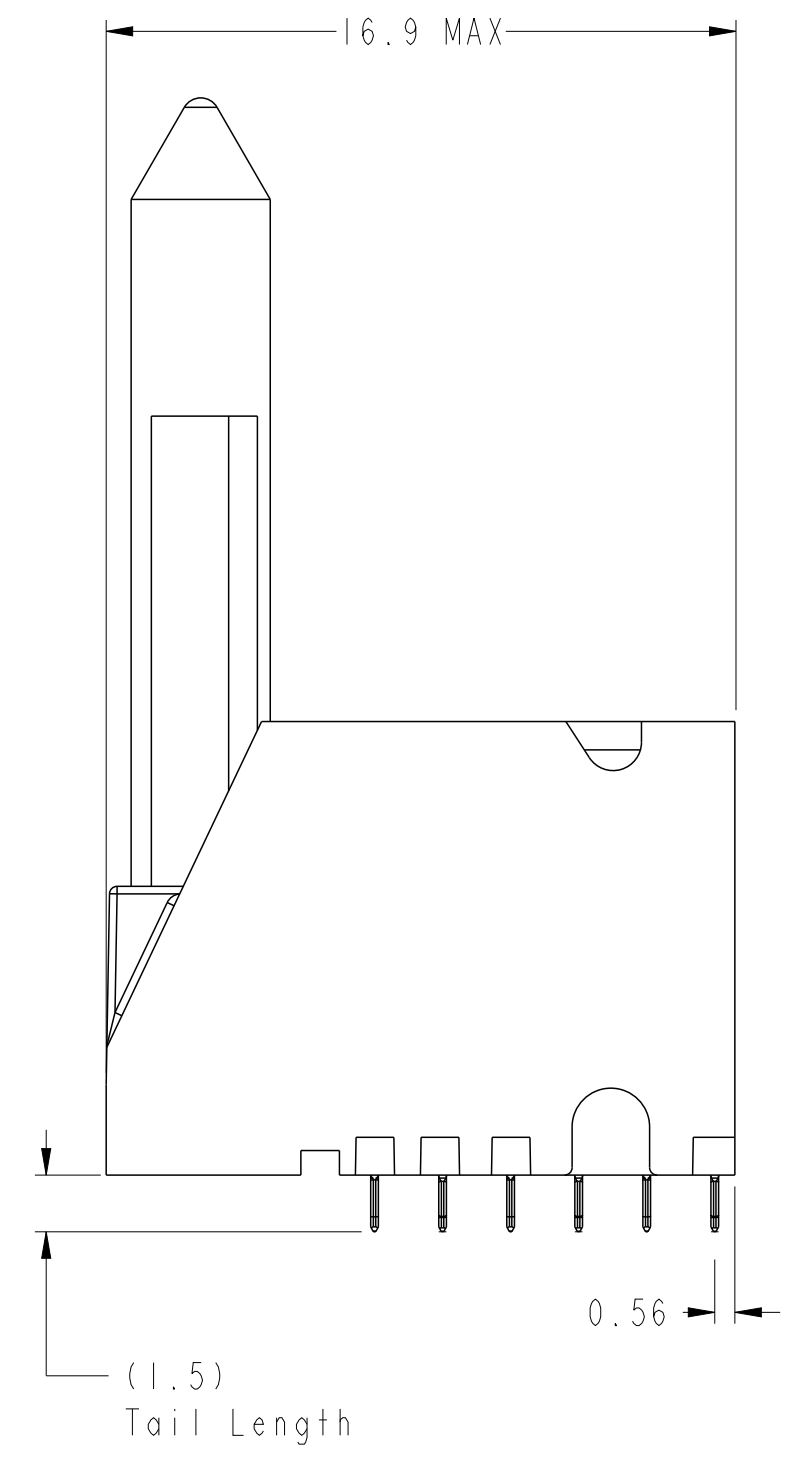
| | | | | | | | | | | |
|---------------------------------------|--|------------------------------------|---------------|---|------------|------------------------------|--------------|---------------|-----------|----------|
| spec ref | - | dr | Yong-Keat Lim | 2012/03/01 | projection | mm | size | A2 | scale | 2:1 |
| tolerance std | ISO 406 ISO 1101 | eng | Sandar Soe | 2016/03/08 | | mm | ecn no | ELX-S-17624-1 | rel level | Released |
| TOLERANCES UNLESS OTHERWISE SPECIFIED | | chr | - | product family | | | | | | |
| surface | ISO 1302 | appr | Chen-Hong Tan | 2016/03/17 | | | cat. no. | 10120128 | rev | C |
| linear | 0.X ±0.3 0.XX ±0.10 0.XXX ±0.050 | Amphenol FCI www.fci.com | | MODULE ASSEMBLY, XCEDE HD Vertical Header, 4 Pair 6 Column | | Product - Customer Drw | sheet 6 of 8 | | | |
| angular | 0° ±2° | PDS: Rev :C | | STATUS:Released | | Printed: Mar 17, 2016 | | | | |



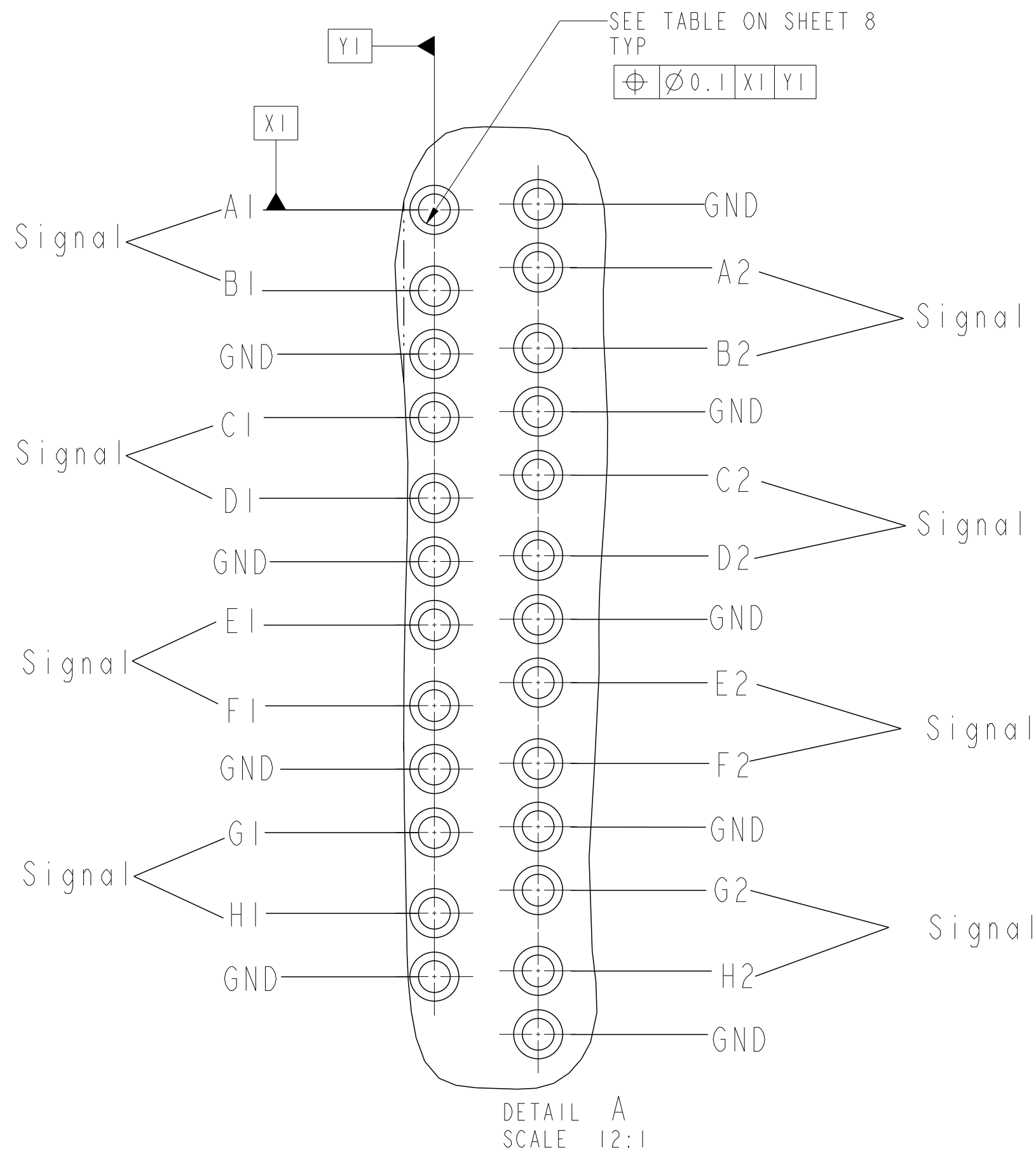
RIGHT POLARIZING/GUIDE MOUDLE



BP HOLE PATTERN COMPONENT SIDE
**RIGHT POLAIZING/GUIDE MODULE
BACKPLANE FOOTPRINT**



| | | | | | | | | | | |
|---------------------------------------|---------------------|-----|---------------|------------------------------------|------------------------|--------------|--|--------------------|----------|-----|
| spec ref | - | dr | Yong-Keat Lim | 2012/03/01 | projection | mm | size | A2 | scale | 2:1 |
| tolerance std | ISO 406 ISO 1101 | eng | Sandar Soe | 2016/03/08 | | mm | ecn no | ELX-S-17624-1 | | |
| TOLERANCES UNLESS OTHERWISE SPECIFIED | | chr | - | rel level | | | | Released | | |
| surface | linear | 0.X | ±0.3 | Amphenol FCI www.fci.com | product family | XCEDE HD | title MODULE ASSEMBLY, XCEDE HD Vertical Header, 4 Pair 6 Column cat. no. | dwg no 10120128 | rev C | |
| | angular | 0° | ±2° | | Product - Customer Drw | sheet 7 of 8 | | | | |
| | | | | | | | | | | |



| TABLE 3 | | |
|---------|---|---|
| | COMPLIANT PIN DRILL $\varnothing 0.55 [0.0217"]$ | COMPLIANT PIN DRILL $\varnothing 0.45 [0.0177"]$ |
| PTH | $\varnothing 0.45 \pm 0.05$ | $\varnothing 0.36 \pm 0.05$ |
| DRILL | $\varnothing 0.55 [0.0217"]$ | $\varnothing 0.45 [0.0177"]$ |
| PAD | $\varnothing 0.85$ | $\varnothing 0.75$ |

NOTES:

- CONNECTOR MATERIALS
SHROUD : HIGH-TEMP POLYMER, COLOR : BLACK, UL94V-0
CONTACTS : HIGH PERFORMANCE COPPER ALLOY
- PRODUCT SPECIFICATION : GS-12-0936
- APPLICATION SPECIFICATION : GS-20-0348
- PRODUCT MARKING :
PART NUMBER (10120128-X0C-XXXLF)
"FCI" AND DATE CODE (FCI P#####)
- NOTCH DESIGNATES "ROW A" SIDE OF CONNECTOR. NOTCH FEATURE ON OPPOSITE FOR PRODUCT MARKING.
- PLATING THICKNESS OF SIGNAL & GROUND CONTACT ARE DETERMINED BY PLATING CODE, REFER TO P/N TREE ON SHEET 1.
- PACKAGING MEETS GS-14-920 LEAD-FREE LABELING SPECIFICATION.
- GUIDE-PIN STYLE DESIGNATION ONLY APPLIES TO MODULE VERSIONS THAT REQUIRE GUIDE-PIN HARDWARE. FOR ALL NON-GUIDE-PIN VERSIONS, THE DEFAULT DASH-NUMBER DIGIT IN THAT LOCATION IS STILL '0'.
- SEE APPLICATION SPECIFICATION FOR ROUTING GUIDELINES, ADDITIONAL PTH GUIDELINES, MATED DIMENSIONS, GUIDE PIN SELECTION, ETC.
- A $\triangle C$ SYMBOL WILL BE NEXT TO ANY DIMENSION, VIEW OR NOTE THAT HAS BEEN MODIFIED WITH THE CURRENT DRAWING REVISION.
- OPTIONAL HOLE LOCATION FOR GROUNDED PIN OR ADDITIONAL GUIDE-PIN SUPPORT. SEE TABLE 1 SHEET 1 FOR ADDITIONAL DETAILS.
- SCREW IS OPTIONAL AND ENGAGES WITH BOTTOM OF GUIDE PIN FROM BENEATH THE PCB FOR ADDITIONAL GUIDE-PIN SUPPORT.

| | | | | | | | | | | |
|---------------------------------------|---------------------|---------|---------------|---------------|---|----|----------|---------------|------------------------|--------------|
| spec ref | - | dr | Yong-Keat Lim | 2012/03/01 | projection | mm | size | A2 | scale | 2:1 |
| tolerance std | ISO 406 ISO 1101 | eng | Sander Soe | 2016/03/08 | | mm | ecn no | ELX-S-17624-1 | rel level | Released |
| TOLERANCES UNLESS OTHERWISE SPECIFIED | | chr | - | appr | | | | | | |
| surface | ISO 1302 | linear | 0.X | ± 0.3 | | | part no | 10120128 | rev | C |
| | | | 0.XX | ± 0.10 | MODULE ASSEMBLY, XCEDE HD Vertical Header, 4 Pair 6 Column | | cat. no. | - | Product - Customer Drw | sheet 8 of 8 |
| | | angular | 0° | $\pm 2^\circ$ | www.fci.com | | | | | |