



Chipsmall Limited consists of a professional team with an average of over 10 year of expertise in the distribution of electronic components. Based in Hongkong, we have already established firm and mutual-benefit business relationships with customers from,Europe,America and south Asia,supplying obsolete and hard-to-find components to meet their specific needs.

With the principle of “Quality Parts,Customers Priority,Honest Operation,and Considerate Service”,our business mainly focus on the distribution of electronic components. Line cards we deal with include Microchip,ALPS,ROHM,Xilinx,Pulse,ON,Everlight and Freescale. Main products comprise IC,Modules,Potentiometer,IC Socket,Relay,Connector.Our parts cover such applications as commercial,industrial, and automotives areas.

We are looking forward to setting up business relationship with you and hope to provide you with the best service and solution. Let us make a better world for our industry!



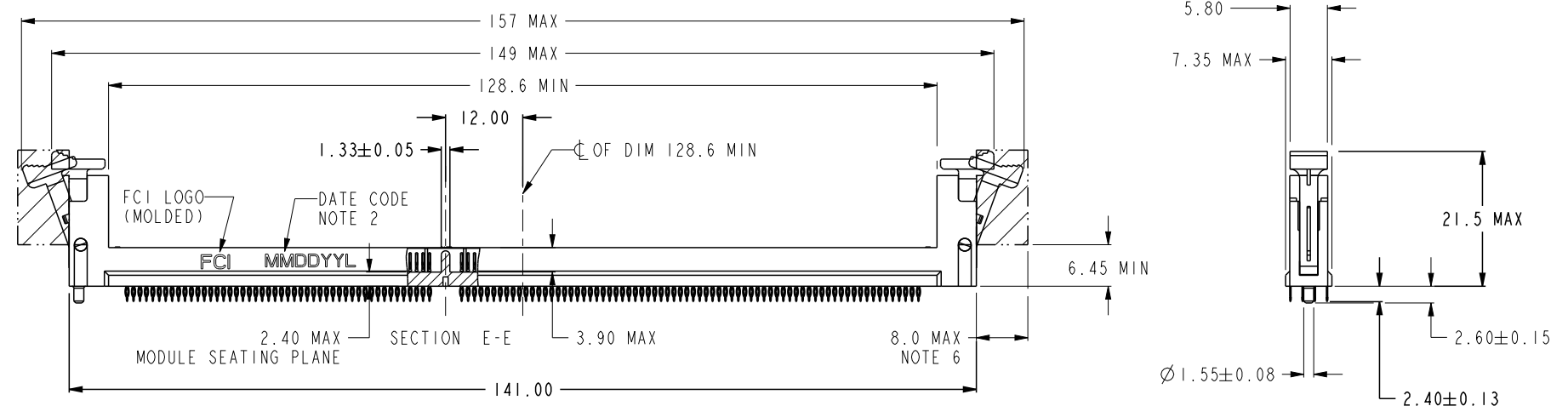
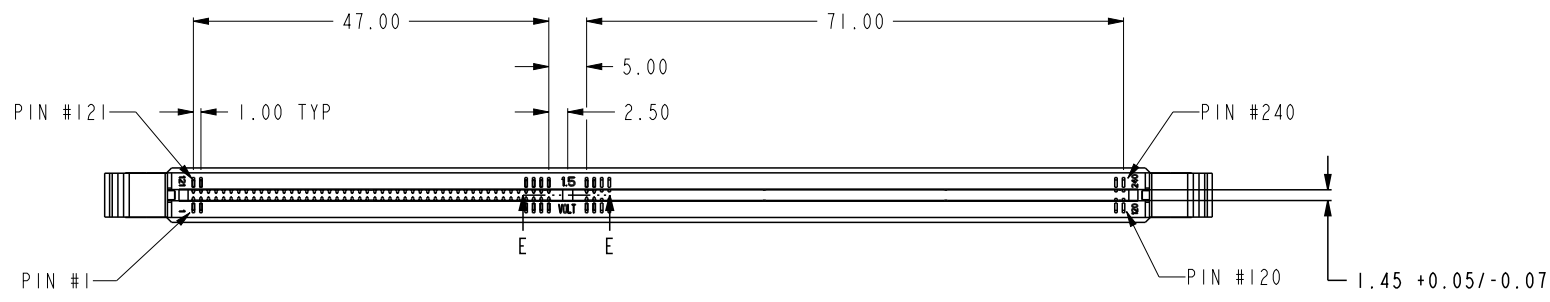
## Contact us

Tel: +86-755-8981 8866 Fax: +86-755-8427 6832

Email & Skype: info@chipsmall.com Web: www.chipsmall.com

Address: A1208, Overseas Decoration Building, #122 Zhenhua RD., Futian, Shenzhen, China





|               |   |             |            |   |            |                        |        |              |       |       |         |    |    |      |            |            |                |           |          |
|---------------|---|-------------|------------|---|------------|------------------------|--------|--------------|-------|-------|---------|----|----|------|------------|------------|----------------|-----------|----------|
| spec ref      | *   | dr          | Nickor Zuo | 2012/05/14  | projection | MM                     | size   | A4           | scale | 1:1   |         |    |    |      |            |            |                |           |          |
| tolerance std | TOLERANCES UNLESS OTHERWISE SPECIFIED   | eng         | Nickor Zuo | 2012/05/14  |            |                        | ecn no | -            |       |       |         |    |    |      |            |            |                |           |          |
|               |   | chr         | -          | -   |            |                        |        |              |       |       |         |    |    |      |            |            |                |           |          |
| surface       | <table border="1"> <tr> <td>linear</td> <td>0.X</td> <td>±0.38</td> </tr> <tr> <td></td> <td>0.XX</td> <td>±0.25</td> </tr> <tr> <td></td> <td>0.XXX</td> <td>±0.13</td> </tr> <tr> <td>angular</td> <td>0°</td> <td>±°</td> </tr> </table> | linear      | 0.X        | ±0.38   |            | 0.XX                   | ±0.25  |              | 0.XXX | ±0.13 | angular | 0° | ±° | appr | Collins Lu | 2012/05/14 | product family | rel level | Released |
| linear        | 0.X   | ±0.38       |            |   |            |                        |        |              |       |       |         |    |    |      |            |            |                |           |          |
|               | 0.XX  | ±0.25       |            |   |            |                        |        |              |       |       |         |    |    |      |            |            |                |           |          |
|               | 0.XXX   | ±0.13       |            |   |            |                        |        |              |       |       |         |    |    |      |            |            |                |           |          |
| angular       | 0°  | ±°          |            |   |            |                        |        |              |       |       |         |    |    |      |            |            |                |           |          |
|               |   |             |            | title<br>DDR3 DIMM LSP<br>VERTICAL P/F, 240 PINS, RDIMM, LLCR |            | dwg no<br>10120194     |        | rev          | A     |       |         |    |    |      |            |            |                |           |          |
|               |   | www.fci.com |            | cat. no.  |            | Product - Customer Drw |        | sheet 1 of 5 |       |       |         |    |    |      |            |            |                |           |          |

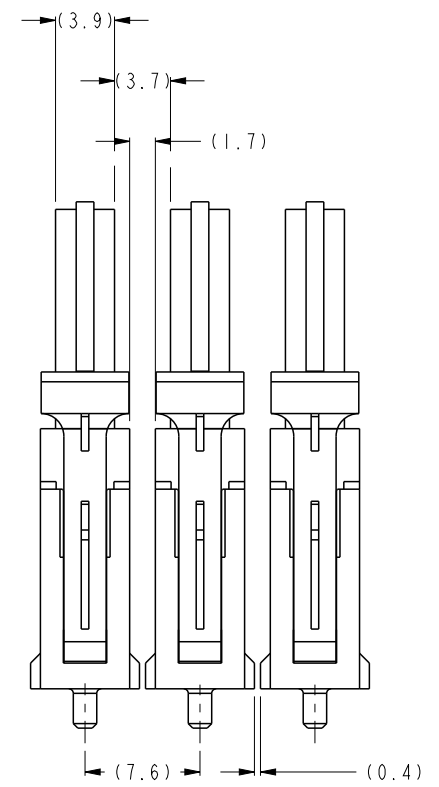
PrdE File - REV C - 2009-06-09



Copyright FCI.



Copyright FCI.



MINIMUM ROW TO ROW SPACING RECOMMENDATION  
(USING 4.00MM MODULE CARD)

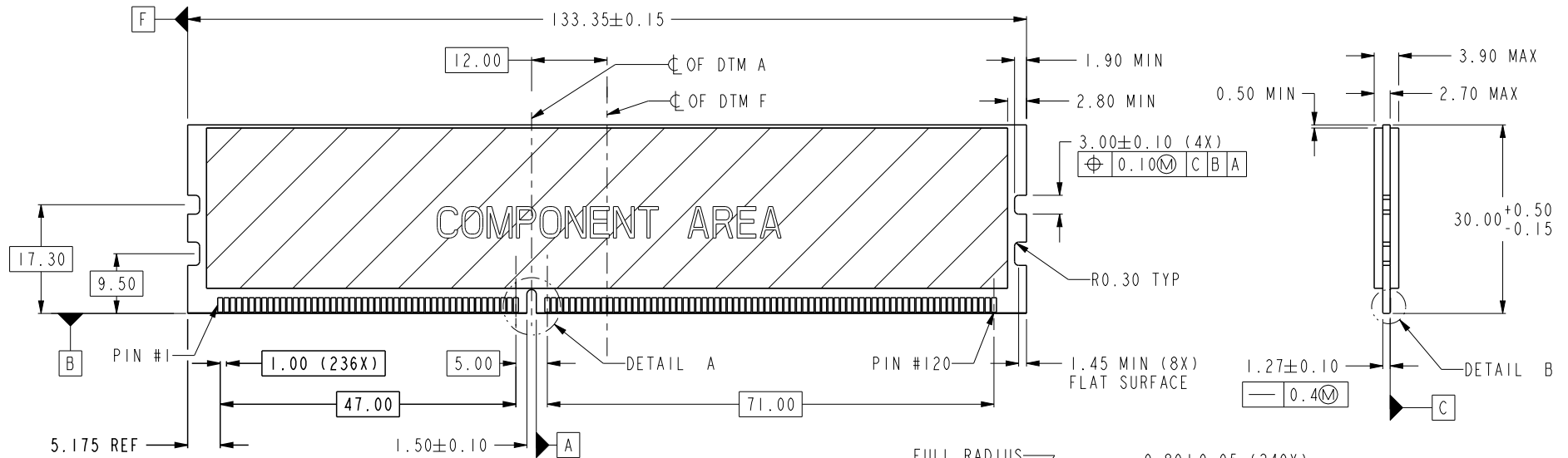
NOTES:

- MATERIAL:  
HOUSING: HIGH PERFORMANCE RESINS, GLASS FILLED UL94V-0 RATED.  
EJECTOR: HIGH PERFORMANCE RESINS, GLASS FILLED UL94V-0 RATED.  
TERMINAL: COPPER ALLOY.  
TERMINAL FINISH: REFER TO TABLE ON SHEET 5.
- DATE CODE FORMATE IS "MMDDYYL", PROCESSED BY INK PRINTING OR LASER MARKING.  
"MMDDYY": MONTH-DATE-YEAR, DENOTE THE ASSEMBLY DATE.  
"L": FCI PRODUCTION LINE.
- PRODUCT SPECIFICATION: GS-12-0924.
- PACKAGING SPECIFICATION: GS-14-528.
- CARD SLOT ACCEPTS 1.27 +/- 0.10MM MODULE THICKNESS.  
(MEASURED FROM PC PADS)
- KEEP OUT ZONE RESERVED FOR EJECTOR.
- LEAD FREE PRODUCT MEETS EUROPEAN UNION DIRECTIVES AND OTHER COUNTRY REGULATIONS AS DESCRIBED IN GS-22-008.

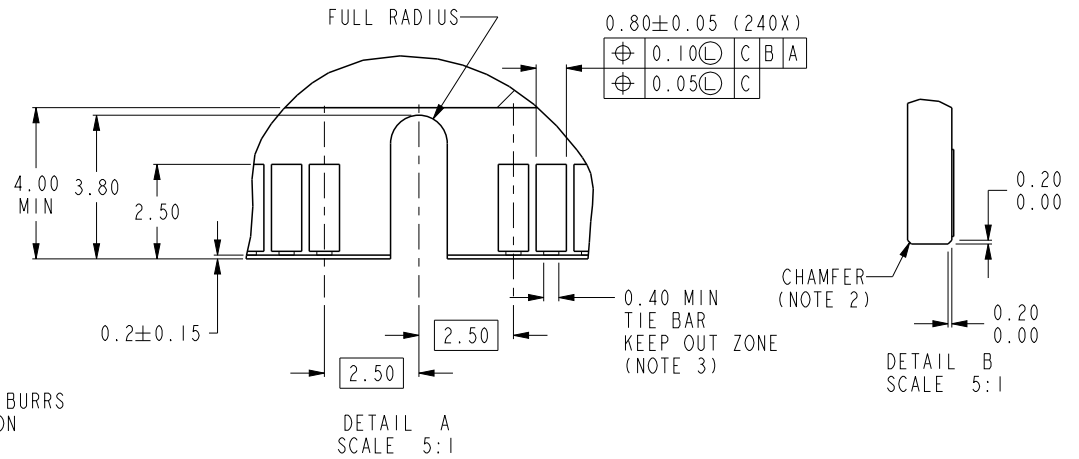
|                                       |  |                 |  |            |  |                 |  |  |  |                          |  |                        |  |              |  |
|---------------------------------------|--|-----------------|--|------------|--|-----------------|--|--|--|--------------------------|--|------------------------|--|--------------|--|
| spec ref *                            |  | dr Nickor Zuo   |  | 2012/05/14 |  | projection      |  | size A4  |  | scale 1:1                |  |                        |  |              |  |
| tolerance std                         |  | eng Nickor Zuo  |  | 2012/05/14 |  | <br>MM          |  | ecn no   |  | -                        |  |                        |  |              |  |
| TOLERANCES UNLESS OTHERWISE SPECIFIED |  | chr -           |  | -          |  |                 |  | rel level  |  | Released                 |  |                        |  |              |  |
|                                       |  | appr Collins Lu |  | 2012/05/14 |  | product family  |  |  |  |                          |  |                        |  |              |  |
| surface ✓                             |  | linear          |  | 0.X ±0.38  |  | <br>www.fci.com |  | title DDR3 DIMM LSP<br>VERTICAL P/F, 240 PINS, RDIMM, LLCR |  | dwg no 10120194<br>rev A |  |                        |  |              |  |
|                                       |  | 0.XX ±0.25      |  | cat. no.   |  |                 |  |  |  |                          |  | Product - Customer Drw |  | sheet 2 of 5 |  |
|                                       |  | 0.XXX ±0.13     |  |            |  |                 |  |  |  |                          |  |                        |  |              |  |
|                                       |  | angular         |  | 0° ±°      |  |                 |  |  |  |                          |  |                        |  |              |  |

PrdE File - REV C - 2009-06-09

MODULE CARD  
DDR3 DUAL IN-LINE MEMORY MODULE FAMILY 1.00MM CONTACT CENTERS  
(JEDEC MO-269)



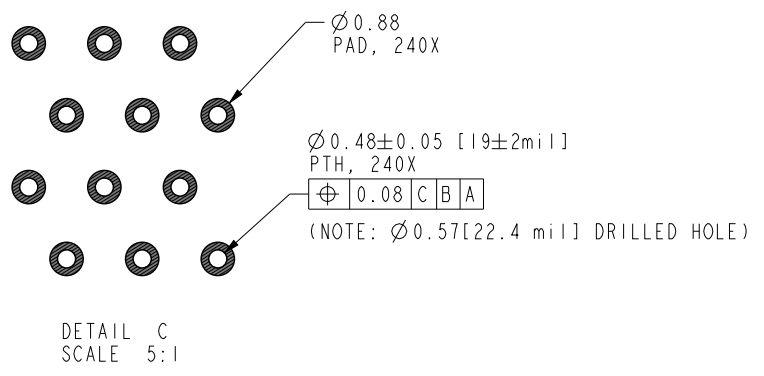
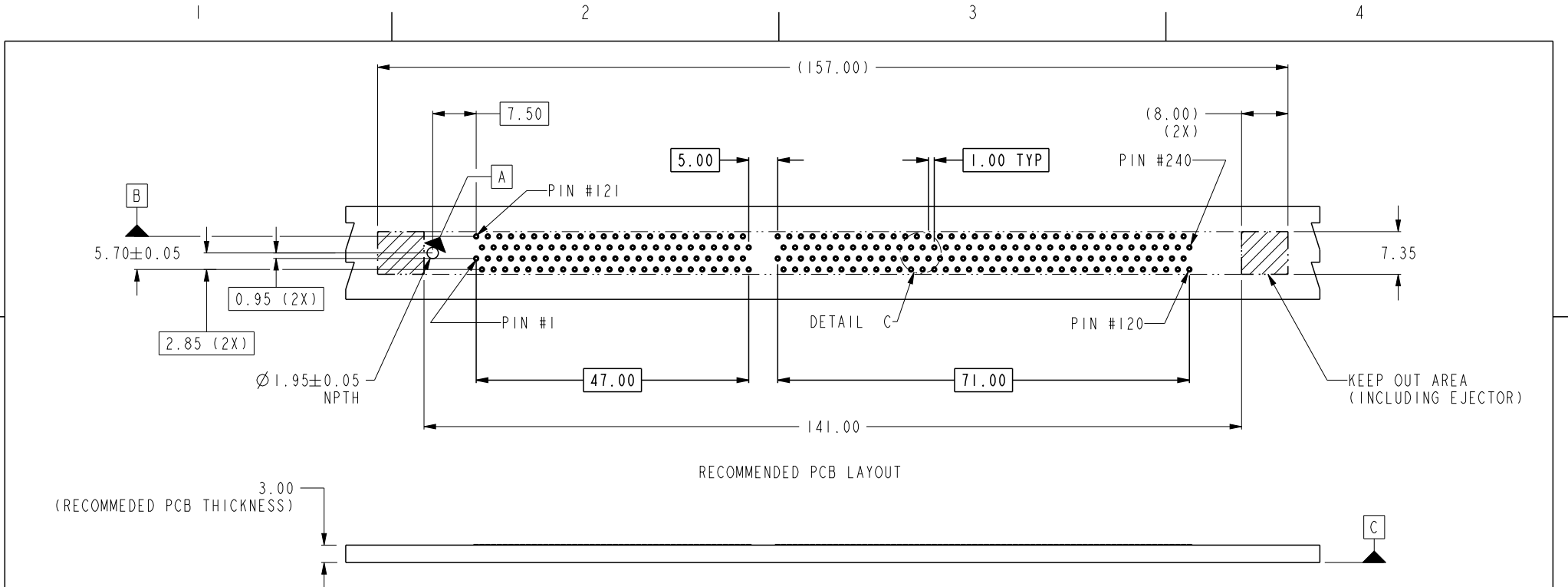
- NOTES:
- RECOMMENDED PLATING FOR CONTACT PADS:  
PREFERRED:  
0.76 MICROMETERS GOLD PLATING MIN OVER 2.00 MICROMETERS NICKEL.  
ALTERNATIVE:  
0.05-0.75 MICROMETERS GOLD PLATING OVER 2.00 MICROMETERS NICKEL.  
MUST USE AN ELECTRONIC CONTACT GRADE CORROSIVE BARRIER LUBRICANT.
  - CHAMFER IS RECOMMENDED AND IS NOT TO HIT THE GOLD PADS.
  - LEADING EDGE OF GOLD PADS SPECIFIED BY KEEP-OUT ZONE AND EXTERNAL TIE BARS FOR OPTIMUM PERFORMANCE. THE TIE BAR IS TO BE ON INTERNAL LAYER SO THAT THE REMNANT CANNOT CAUSE CONTACT DAMAGE.



|               |   |             |            |            |                        |              |        |    |           |          |         |    |    |  |   |                    |          |
|---------------|---|-------------|------------|------------|------------------------|--------------|--------|----|-----------|----------|---------|----|----|--|---|--------------------|----------|
| spec ref      | *   | dr          | Nickor Zuo | 2012/05/14 | projection             | MM           | size   | A4 | scale     | 1:1      |         |    |    |  |   |                    |          |
| tolerance std | TOLERANCES UNLESS OTHERWISE SPECIFIED   | eng         | Nickor Zuo | 2012/05/14 |                        |              | ecn no | -  | rel level | Released |         |    |    |  |   |                    |          |
|               |   | chr         | -          | -          |                        |              |        |    |           |          |         |    |    |  |   |                    |          |
|               |   | appr        | Collins Lu | 2012/05/14 | product family         |              |        |    |           |          |         |    |    |  |   |                    |          |
| surface       | <table border="1"> <tr> <td>linear</td> <td>0.X</td> <td>±0.38</td> </tr> <tr> <td></td> <td>0.XX</td> <td>±0.25</td> </tr> <tr> <td></td> <td>0.XXX</td> <td>±0.13</td> </tr> <tr> <td>angular</td> <td>0°</td> <td>±°</td> </tr> </table> | linear      | 0.X        | ±0.38      |                        | 0.XX         | ±0.25  |    | 0.XXX     | ±0.13    | angular | 0° | ±° |  | title<br>DDR3 DIMM LSP<br>VERTICAL P/F, 240 PINS, RDIMM, LLCR | dwg no<br>10120194 | rev<br>A |
| linear        | 0.X   | ±0.38       |            |            |                        |              |        |    |           |          |         |    |    |  |   |                    |          |
|               | 0.XX  | ±0.25       |            |            |                        |              |        |    |           |          |         |    |    |  |   |                    |          |
|               | 0.XXX   | ±0.13       |            |            |                        |              |        |    |           |          |         |    |    |  |   |                    |          |
| angular       | 0°  | ±°          |            |            |                        |              |        |    |           |          |         |    |    |  |   |                    |          |
|               |   | www.fci.com | cat. no.   | *          | Product - Customer Drw | sheet 3 of 5 |        |    |           |          |         |    |    |  |   |                    |          |



Copyright FCI.



|               |                                       |        |             |            |                |   |                    |          |       |     |
|---------------|---------------------------------------|--------|-------------|------------|----------------|---|--------------------|----------|-------|-----|
| spec ref      | *                                     | dr     | Nickor Zuo  | 2012/05/14 | projection     | MM<br>←→  | size               | A4       | scale | 1:1 |
| tolerance std | TOLERANCES UNLESS OTHERWISE SPECIFIED | eng    | Nickor Zuo  | 2012/05/14 |                |   | ecn no             | -        |       |     |
|               |                                       | chr    | -           | -          |                |   |                    |          |       |     |
| surface       | <input checked="" type="checkbox"/>   | appr   | Collins Lu  | 2012/05/14 | product family | rel level   | Released           |          |       |     |
|               |                                       | linear | 0.X         | ±0.38      |                | title<br>DDR3 DIMM LSP<br>VERTICAL P/F, 240 PINS, RDIMM, LLCR | dwg no<br>10120194 | rev<br>A |       |     |
|               |                                       |        | 0.XX        | ±0.25      |                |   |                    |          |       |     |
|               | 0.XXX                                 | ±0.13  |             |            |                |   |                    |          |       |     |
| angular       | 0°                                    | ±°     | www.fci.com | cat. no.   | *              | Product - Customer Drw  | sheet 4 of 5       |          |       |     |

PrdE File - REV C - 2009-06-09

1

2

3

4

A

A

| PART NUMBER    | PLATING OPTION  |  | HOUSING COLOR | EJECTOR COLOR |
|----------------|---|--|---------------|---------------|
|                | CONTACT AREA  | TAIL AREA  |               |               |
| 10120194-001LF | PERFORMANCE BASED PLATING<br>MEET PRODUCT SPECIFICATION REQUIREMENT<br>(30 MICROINCH GXT OR GOLD) | 0.38~1.52 MICROMETER [15~60 MICROINCH] MATTE TIN OVER<br>1.27 MICROMETER [50 MICROINCH] MIN. NICKEL UNDERPLATE | BLACK         | BLACK         |
| 10120194-002LF |   |  | BLUE          | BLUE          |
| 10120194-003LF |   |  | IVORY         | IVORY         |
| 10120194-004LF |   |  | BLACK         | IVORY         |

B

B



C

C

Copyright FCI.

D

D

|   |                                       |       |             |            |                |           |          |               |        |          |     |   |
|---|---------------------------------------|-------|-------------|------------|----------------|-----------|----------|---------------|--------|----------|-----|---|
| spec ref                                    | *                                     | dr    | Nickor Zuo  | 2012/05/14 | projection<br> | MM<br>    | size     | A4            | scale  | 1:1      |     |   |
| tolerance std                               | TOLERANCES UNLESS OTHERWISE SPECIFIED | eng   | Nickor Zuo  | 2012/05/14 |                |           | ecn no   | -             |        |          |     |   |
|   |                                       | chr   | -           | -          |                |           |          |               |        |          |     |   |
| surface <input checked="" type="checkbox"/> | linear                                | 0.X   | ±0.38       | FCI        | product family | rel level | Released |               |        |          |     |   |
|   |                                       | 0.XX  | ±0.25       |            |                |           | title    | DDR3 DIMM LSP | dwg no | 10120194 | rev | A |
|   |                                       | 0.XXX | ±0.13       |            |                |           |          |               |        |          |     |   |
| angular                                     | 0°                                    | ±°    | www.fci.com |            |                |           |          |               |        |          |     |   |

PreE File - REV C - 2009-06-09

2

3

PDS: Rev :A

STATUS:Released

Printed: May 14, 2012