



Chipsmall Limited consists of a professional team with an average of over 10 year of expertise in the distribution of electronic components. Based in Hongkong, we have already established firm and mutual-benefit business relationships with customers from,Europe,America and south Asia,supplying obsolete and hard-to-find components to meet their specific needs.

With the principle of "Quality Parts,Customers Priority,Honest Operation,and Considerate Service",our business mainly focus on the distribution of electronic components. Line cards we deal with include Microchip,ALPS,ROHM,Xilinx,Pulse,ON,Everlight and Freescale. Main products comprise IC,Modules,Potentiometer,IC Socket,Relay,Connector.Our parts cover such applications as commercial,industrial, and automotives areas.

We are looking forward to setting up business relationship with you and hope to provide you with the best service and solution. Let us make a better world for our industry!



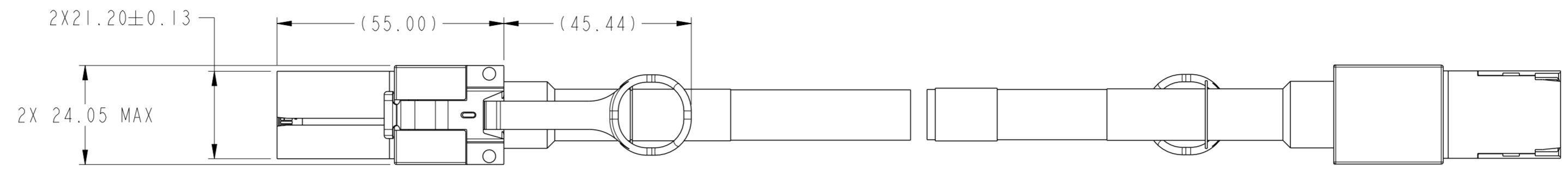
Contact us

Tel: +86-755-8981 8866 Fax: +86-755-8427 6832

Email & Skype: info@chipsmall.com Web: www.chipsmall.com

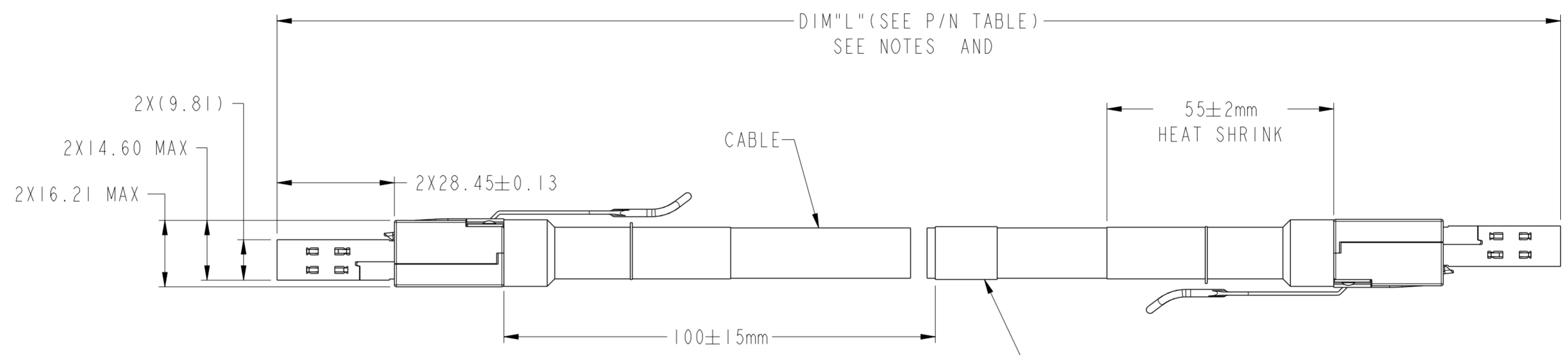
Address: A1208, Overseas Decoration Building, #122 Zhenhua RD., Futian, Shenzhen, China



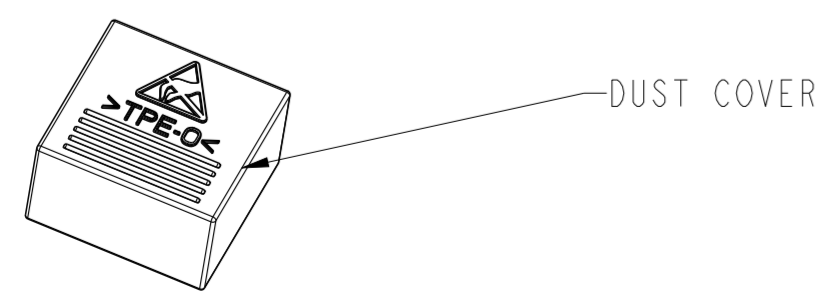
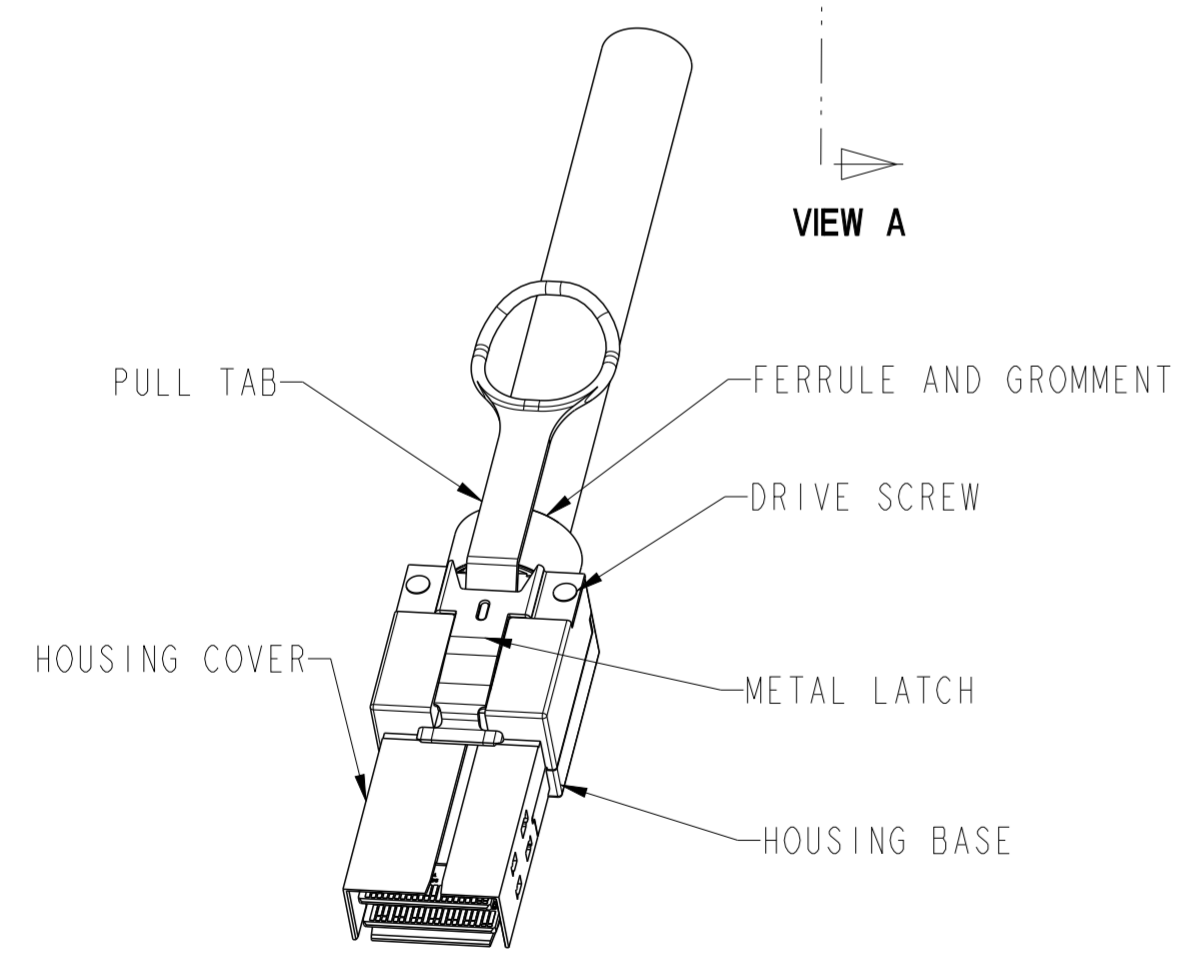


**END P1
CABLE CONNECTOR
CXP (PASSIVE) PLUG**

**END P2
CABLE CONNECTOR
CXP (PASSIVE) PLUG**



VIEW A
VIEW A



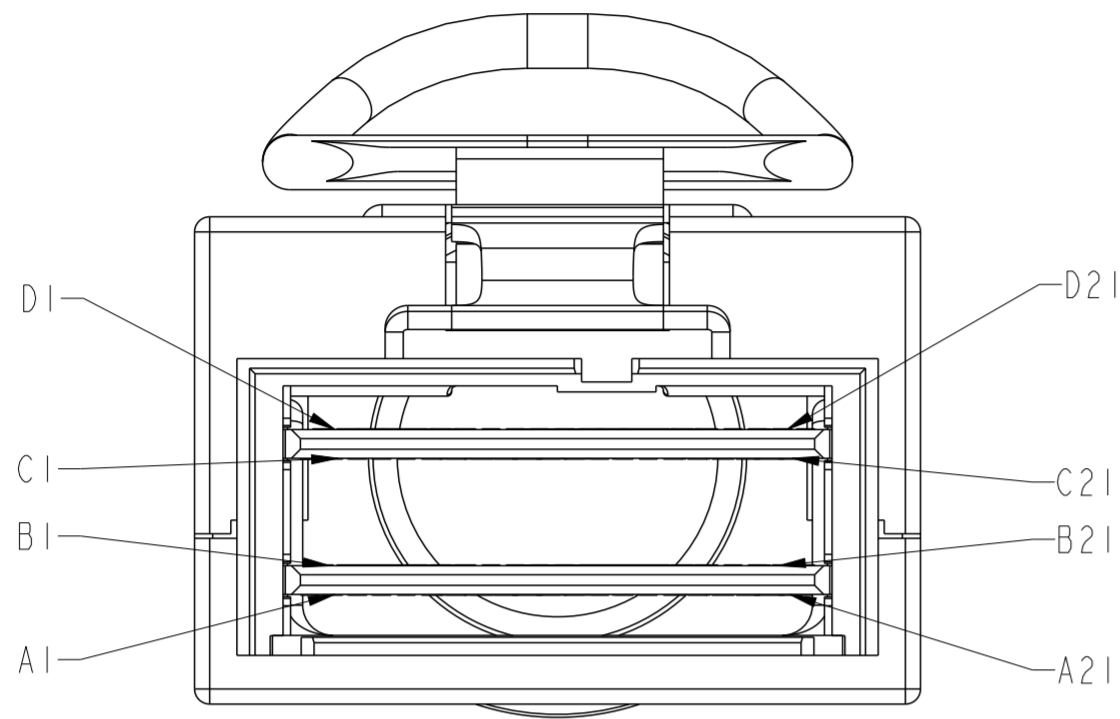
spec ref	-	dr	David Lord	2012/04/25	projection	MM	size	A2	scale	1:2
tolerance std	ASME Y14.5	eng	Ya Li	2015/07/30			ecn no	ELX-N-21548-1		
TOLERANCES UNLESS OTHERWISE SPECIFIED		chr	-	appr			Frank Mao	2015/07/30	rel level	Released
surface	✓	linear	0.X	±Y	product family		-	rel level	Released	
			0.XX	±Y		FINAL ASSEMBLY - STANDARD 14G CXP PASSIVE CABLE ASSEMBLY	cat. no.	-	Product - Customer Drw	sheet 1 of 3
		angular	0°	±Y°			www.fci.com	cat. no.	-	Product - Customer Drw

PDS: Rev :C

STATUS:Released

Printed: Jul 31, 2015

Copyright FCI.
FCI



VIEW A-A
PIN ASSIGNMENTS
SCALE 4:1

P1				P2		
PIN	F	SIGNAL	TYPE	PIN	F	SIGNAL
B1	L	GND	C C	D1	L	GND
B2	S	Tx0p	----▷	D2	S	Rx0p
B3	S	Tx0n	----▷	D3	S	Rx0n
B4	L	GND	C C	D4	L	GND
B5	S	Tx2p	----▷	D5	S	Rx2p
B6	S	Tx2n	----▷	D6	S	Rx2n
B7	L	GND	C C	D7	L	GND
B8	S	Tx4p	----▷	D8	S	Rx4p
B9	S	Tx4n	----▷	D9	S	Rx4n
B10	L	GND	C C	D10	L	GND
B11	S	Tx6p	----▷	D11	S	Rx6p
B12	S	Tx6n	----▷	D12	S	Rx6n
B13	L	GND	C C	D13	L	GND
B14	S	Tx8p	----▷	D14	S	Rx8p
B15	S	Tx8n	----▷	D15	S	Rx8n
B16	L	GND	C C	D16	L	GND
B17	S	Tx10p	----▷	D17	S	Rx10p
B18	S	Tx10n	----▷	D18	S	Rx10n
B19	L	GND	C C	D19	L	GND
B20	S	VCC3.3-Tx	□ □	D20	M	VCC3.3-Rx
B21	S	VCC12-Tx	□ □	D21	M	VCC12-Rx
A1	L	GND	C C	C1	L	GND
A2	S	Tx1p	----▷	C2	S	Rx1p
A3	S	Tx1n	----▷	C3	S	Rx1n
A4	L	GND	C C	C4	L	GND
A5	S	Tx3p	----▷	C5	S	Rx3p
A6	S	Tx3n	----▷	C6	S	Rx3n
A7	L	GND	C C	C7	L	GND
A8	S	Tx5p	----▷	C8	S	Rx5p
A9	S	Tx5n	----▷	C9	S	Rx5n
A10	L	GND	C C	C10	L	GND
A11	S	Tx7p	----▷	C11	S	Rx7p
A12	S	Tx7n	----▷	C12	S	Rx7n
A13	L	GND	C C	C13	L	GND
A14	S	Tx9p	----▷	C14	S	Rx9p
A15	S	Tx9n	----▷	C15	S	Rx9n
A16	L	GND	C C	C16	L	GND
A17	S	Tx11p	----▷	C17	S	Rx11p
A18	S	Tx11n	----▷	C18	S	Rx11n
A19	L	GND	C C	C19	L	GND
A20	S	SCL	□ □	C20	S	PRSENT_L
A21	S	SDA	□ □	C21	S	Int_L/Reset_L

P1				P2		
PIN	F	SIGNAL	TYPE	PIN	F	SIGNAL
C1	L	GND	C C	A1	L	GND
C2	S	Rx1p	◁----	A2	S	Tx1p
C3	S	Rx1n	◁----	A3	S	Tx1n
C4	L	GND	C C	A4	L	GND
C5	S	Rx3p	◁----	A5	S	Tx3p
C6	S	Rx3n	◁----	A6	S	Tx3n
C7	L	GND	C C	A7	L	GND
C8	S	Rx5p	◁----	A8	S	Tx5p
C9	S	Rx5n	◁----	A9	S	Tx5n
C10	L	GND	C C	A10	L	GND
C11	S	Rx7p	◁----	A11	S	Tx7p
C12	S	Rx7n	◁----	A12	S	Tx7n
C13	L	GND	C C	A13	L	GND
C14	S	Rx9p	◁----	A14	S	Tx9p
C15	S	Rx9n	◁----	A15	S	Tx9n
C16	L	GND	C C	A16	L	GND
C17	S	Rx11p	◁----	A17	S	Tx11p
C18	S	Rx11n	◁----	A18	S	Tx11n
C19	L	GND	C C	A19	L	GND
C20	S	PRSENT_L	□ □	A20	S	SCL
C21	S	Int_L/Reset_L	□ □	A21	S	SDA
D1	L	GND	C C	B1	L	GND
D2	S	Rx0p	◁----	B2	S	Tx0p
D3	S	Rx0n	◁----	B3	S	Tx0n
D4	L	GND	C C	B4	L	GND
D5	S	Rx2p	◁----	B5	S	Tx2p
D6	S	Rx2n	◁----	B6	S	Tx2n
D7	L	GND	C C	B7	L	GND
D8	S	Rx4p	◁----	B8	S	Tx4p
D9	S	Rx4n	◁----	B9	S	Tx4n
D10	L	GND	C C	B10	L	GND
D11	S	Rx6p	◁----	B11	S	Tx6p
D12	S	Rx6n	◁----	B12	S	Tx6n
D13	L	GND	C C	B13	L	GND
D14	S	Rx8p	◁----	B14	S	Tx8p
D15	S	Rx8n	◁----	B15	S	Tx8n
D16	L	GND	C C	B16	L	GND
D17	S	Rx10p	◁----	B17	S	Tx10p
D18	S	Rx10n	◁----	B18	S	Tx10n
D19	L	GND	C C	B19	L	GND
D20	S	VCC3.3-Rx	□ □	B20	M	VCC3.3-Tx
D21	S	VCC12-Rx	□ □	B21	M	VCC12-Tx

PIN OUT CHART (WIRING) SEE NOTE 6

spec ref	-	dr	David Lord	2012/04/25	projection	MM	size	A2	scale	1:2	
tolerance std	ASME Y14.5	eng	Ya Li	2015/07/30	chr	-	ecn no	ELX-N-21548-1	rel level	Released	
surface	linear	0.X	±Y	0.XX	±Y	0.XXX	±Y				
ASME Y14.5	angular	0°	±Y°			FINAL ASSEMBLY - STANDARD 14G CXP PASSIVE CABLE ASSEMBLY		dwg no	10120706	rev	C
www.fci.com		cat. no.	Product - Customer Drw		sheet 2 of 3						

NOTES:

1. MATERIAL:
 COVERS: ZINC ALLOY
 PULL STRAP: THERMOPLASTIC
 LATCH: STAINLESS STEEL
 FERRULE: BRASS
 PIN: STAINLESS STEEL
 (LOCTITE) EPOXY
 SPLIT GROMMET: POLYURETHANE
 PADDLE CARD: PRINTED CIRCUIT SUBSTRATE -HE679G
 CABLE JACKETS TO BE CL2 RATED - UL94-0

2. THIS PRODUCT MEETS THE RESTRICTION OF HAZARDOUS SUBSTANCES IN ELECTRICAL AND ELECTRONIC EQUIPMENT (RoHS) DIRECTIVE (2002/95/EC)

3. THIS DIMENSION IS A FINISHED PRODUCT LENGTH.

4. UNLESS OTHERWISE SPECIFIED ASSEMBLED LENGTH TOLERANCE IS TO BE:
 "DIM L" < 1 METER = ± 25mm
 "DIM L" = 1 METER TO 5 METERS = ± 2% OF "DIM L"

5. CONTENTS OF LABEL ARE TO BE:
 LABEL DETAILS:
 FCI CHINA
 FCI P/N
 REVISION
 SN: CNYWCB ** * #####
 |||
 (the first ** present cable length, eg:05--0.5m, 15--1.5m...)
 (the 2nd * present cable wire guage, eg:2--30awg, 3--28awg...)
 (the 3th * present L--lead free or H--halongen free .)
 (the #### present serial number, eg: 0001, 0002...)
 (barcode context is CNYWCB ** * ##### in 128 code)

FONT SHALL BE CLEARLY VISIBLE AND BLACK IN COLOR.

6. ALL CABLE ASSEMBLIES SHALL BE 100% TESTED FOR CONTINUITY AS DEFINED IN WIRING LIST.

7. OTHER TESTING PERFORMED AS REQUIRED BY PRODUCT SPECIFICATION: GS-12-0943.

8. PACKAGING OF LEAD FREE PRODUCTS MEETS LABELING AND PACKAGING PER SPECIFICATION GS-14-920. PACKAGE CABLE ASSEMBLIES PER GS-14-1272. DUST COVERS ARE TO BE PLACED ON ASSEMBLIES PRIOR TO PACKAGING.

9 - IMPEDANCE: 100Ω DIFFERENTIAL.

10. A "△" SYMBOL WILL BE NEXT TO ANY DIMENSION, VIEW, OR NOTE WHICH HAS BEEN MODIFIED WITH THE CURRENT DRAWING REVISION. THE CURRENT REVISION WILL BE SHOWN IN THE SYMBOL.

Product number (Lead Free)	"DIM L" LENGTH METERS	AWG	NOTES
10120706-2005LF	0.5	30	
10120706-2010LF	1.0	30	
10120706-2015LF	1.5	30	
10120706-2020LF	2.0	30	
10120706-3005LF	0.5	28	
10120706-3010LF	1.0	28	
10120706-3015LF	1.5	28	
10120706-3020LF	2.0	28	
10120706-3025LF	2.5	28	
10120706-3030LF	3.0	28	

Product number (Halogen Free)	"DIM L" LENGTH METERS	AWG	NOTES
10120706-2005HLF	0.5	30	
10120706-2010HLF	1.0	30	
10120706-2015HLF	1.5	30	
10120706-2020HLF	2.0	30	
10120706-3005HLF	0.5	28	
10120706-3010HLF	1.0	28	
10120706-3015HLF	1.5	28	
10120706-3020HLF	2.0	28	
10120706-3025HLF	2.5	28	
10120706-3030HLF	3.0	28	

PERFORMANCE MATRIX:

Performance Level	Unequalized cable length/AWG*		
	1M	2M	3.0M
Infiniband-FDR	30AWG	30AWG	28AWG

*MINIMUM RECOMENDED CABLE AWG IS SHOWN

spec ref	-	dr	David Lord	2012/04/25	projection	MM	size	A2	scale	1:2
tolerance std	ASME Y14.5	eng	Ya Li	2015/07/30			ecn no	ELX-N-21548-1	rev C	
TOLERANCES UNLESS OTHERWISE SPECIFIED		chr	-	appr			Frank Mao	2015/07/30		rel level
surface	ASME Y14.5	linear	0.X	±Y		title FINAL ASSEMBLY - STANDARD 14G CXP PASSIVE CABLE ASSEMBLY	dwg no 10120706	Product - Customer Drw	sheet 3 of 3	
			0.XX	±Y						
			0.XXX	±Y						
		angular	0°	±Y°	www.fci.com	cat. no.	-	-	-	