



Chipsmall Limited consists of a professional team with an average of over 10 year of expertise in the distribution of electronic components. Based in Hongkong, we have already established firm and mutual-benefit business relationships with customers from,Europe,America and south Asia,supplying obsolete and hard-to-find components to meet their specific needs.

With the principle of “Quality Parts,Customers Priority,Honest Operation,and Considerate Service”,our business mainly focus on the distribution of electronic components. Line cards we deal with include Microchip,ALPS,ROHM,Xilinx,Pulse,ON,Everlight and Freescale. Main products comprise IC,Modules,Potentiometer,IC Socket,Relay,Connector.Our parts cover such applications as commercial,industrial, and automotives areas.

We are looking forward to setting up business relationship with you and hope to provide you with the best service and solution. Let us make a better world for our industry!



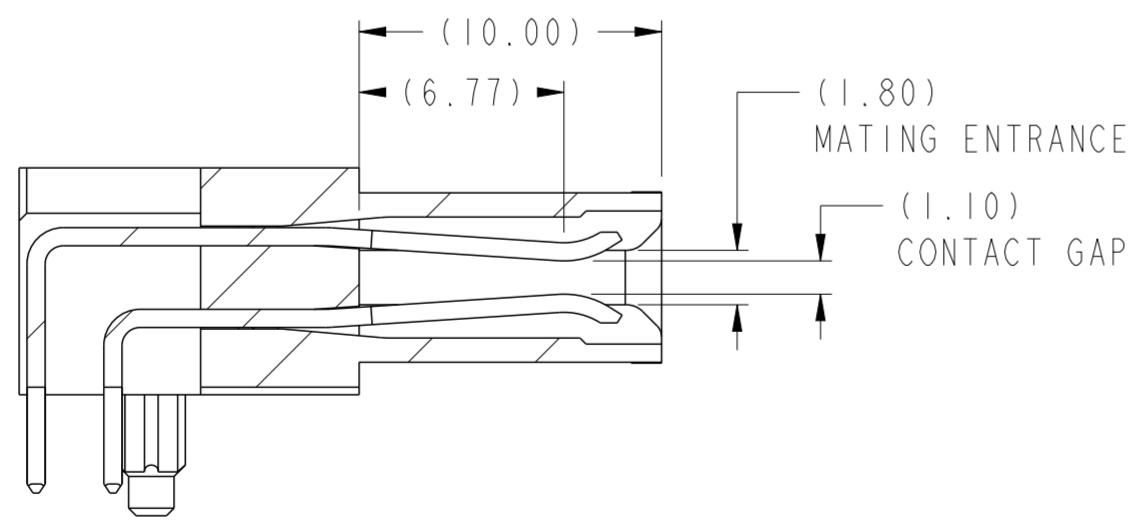
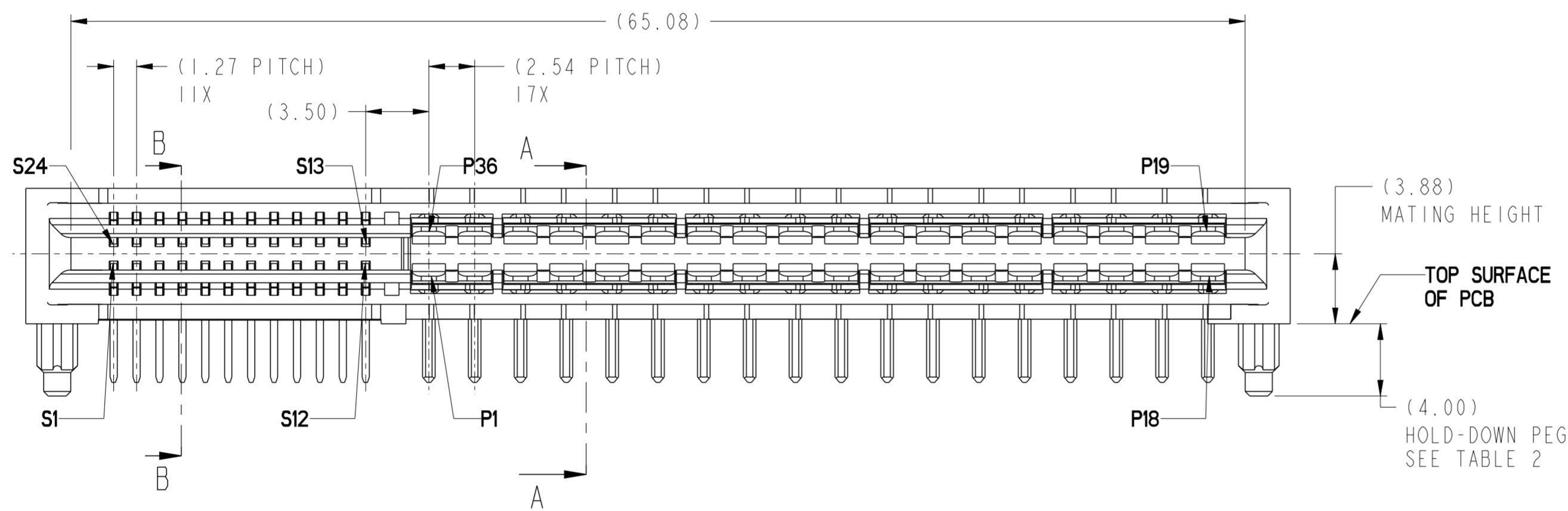
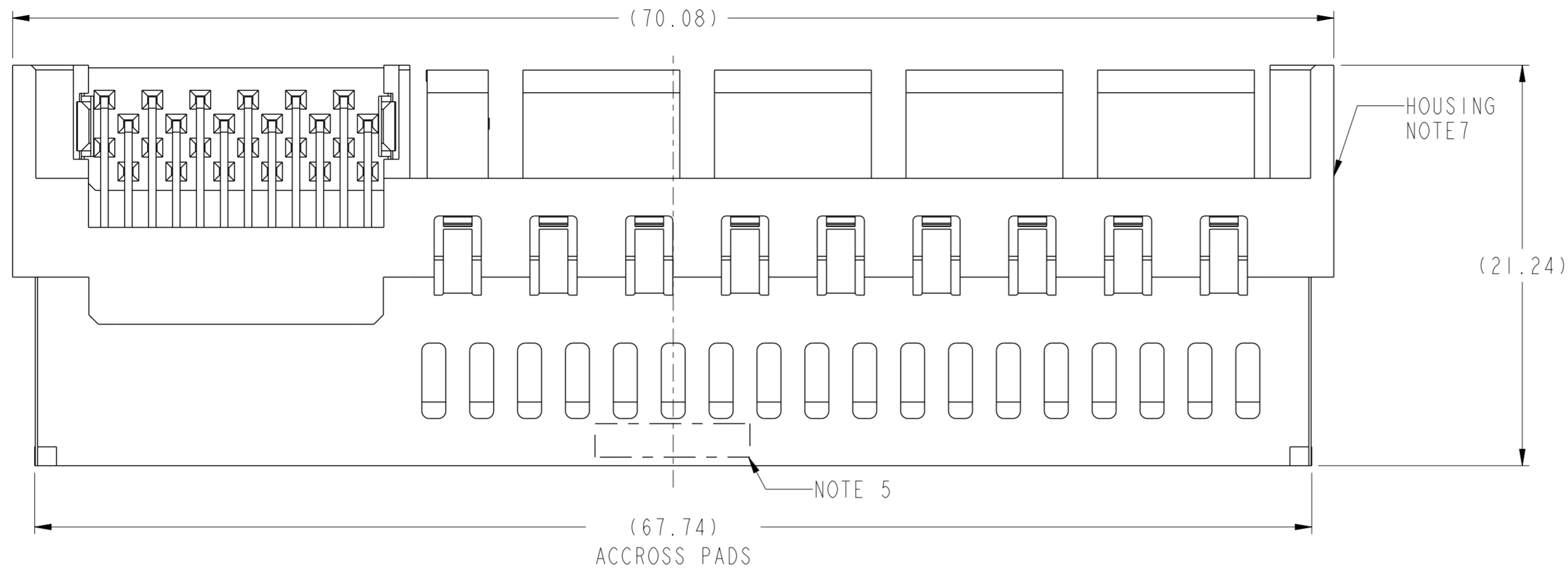
Contact us

Tel: +86-755-8981 8866 Fax: +86-755-8427 6832

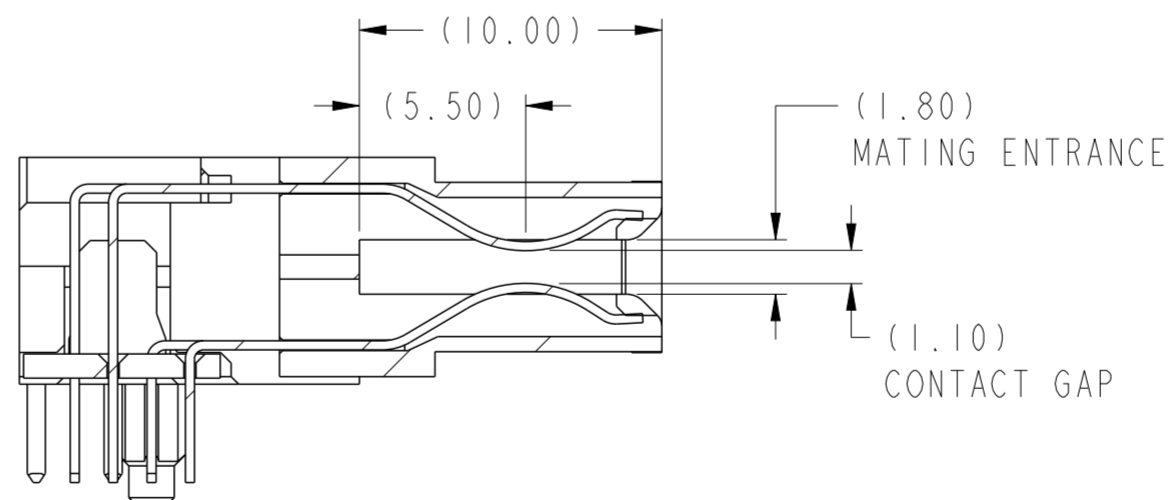
Email & Skype: info@chipsmall.com Web: www.chipsmall.com

Address: A1208, Overseas Decoration Building, #122 Zhenhua RD., Futian, Shenzhen, China





SECTION A-A
SCALE 4:1



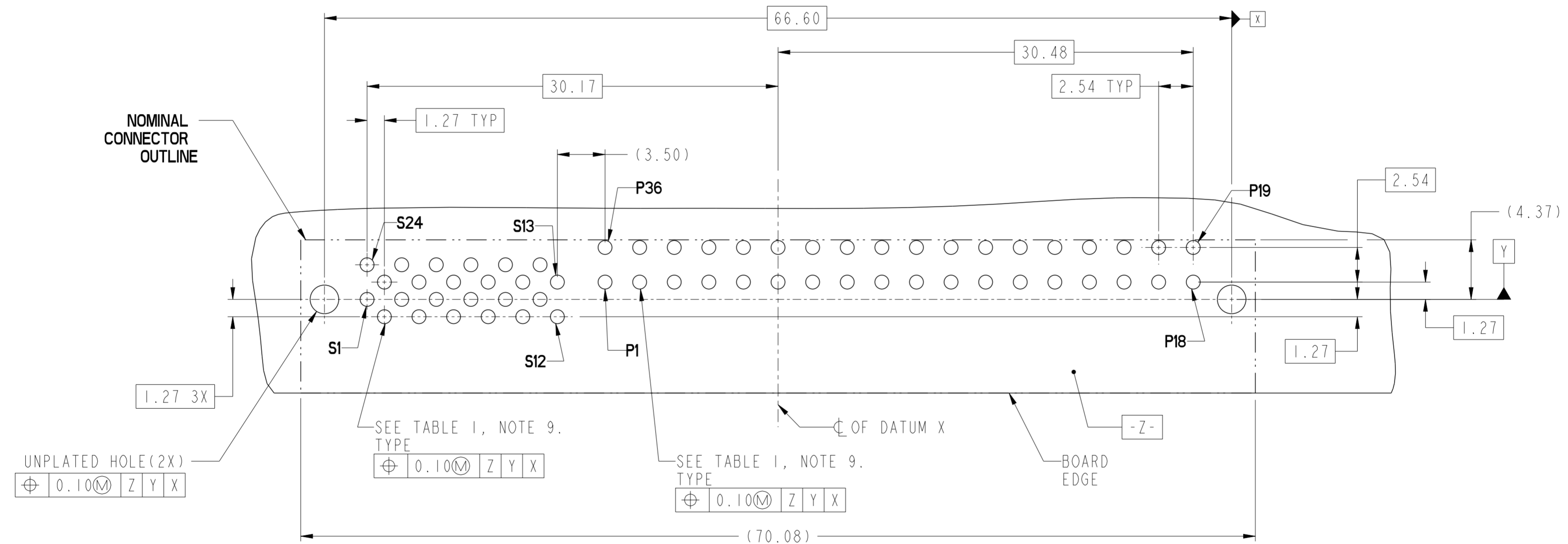
SECTION B-B
SCALE 4:1

REV	DR	DATE
A	HZ	2012-05-22

spec ref	-	dr	Wei-Long Zhang	2012/04/19	projection	MM	size	A2	scale	4:1	
tolerance std	ISO 406 ISO 1101	eng	Wei-Long Zhang	2012/05/23			ecn no	-	rel level	Released	
TOLERANCES UNLESS OTHERWISE SPECIFIED		chr	-	appr							Pei-Ming Zheng
surface	ISO 1302	linear	0.X	±0.3			cat. no.	R/A RECT (24S-36P)	10120821	rev	A
		angular	0°	±2°	www.fci.com		Product - Customer Drw	sheet 1 of 4			



CONTACT TYPE	TOP LAYER DESCRIPTION	TABLE 1 (HPCE / SOLDER TAILS) PLATED THROUGH-HOLE REQUIREMENTS				
		DRILLED HOLE DIAMETER	COPPER THICKNESS	TIN-LEAD THICKNESS	TIN THICKNESS	FINISHED HOLE DIAMETER
POWER & SIGNAL	TIN-LEAD	1.10-1.16 (1.15 DRILL)	0.025 - 0.050	0.005 - 0.015	--	0.94 - 1.10
	IMMERSION TIN	1.10-1.16 (1.15 DRILL)	0.025 - 0.050	--	0.9 - 1.5um	0.94 - 1.10
	COPPER (SEE NOTE 8)	1.10-1.16 (1.15 DRILL)	0.025 - 0.050	--	--	0.94 - 1.10



RECOMMENDED PCB LAYOUT

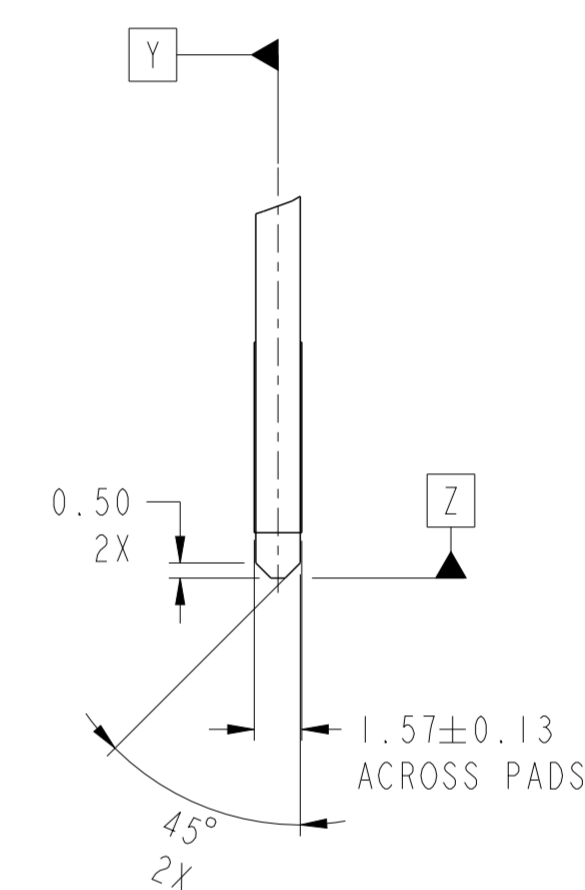
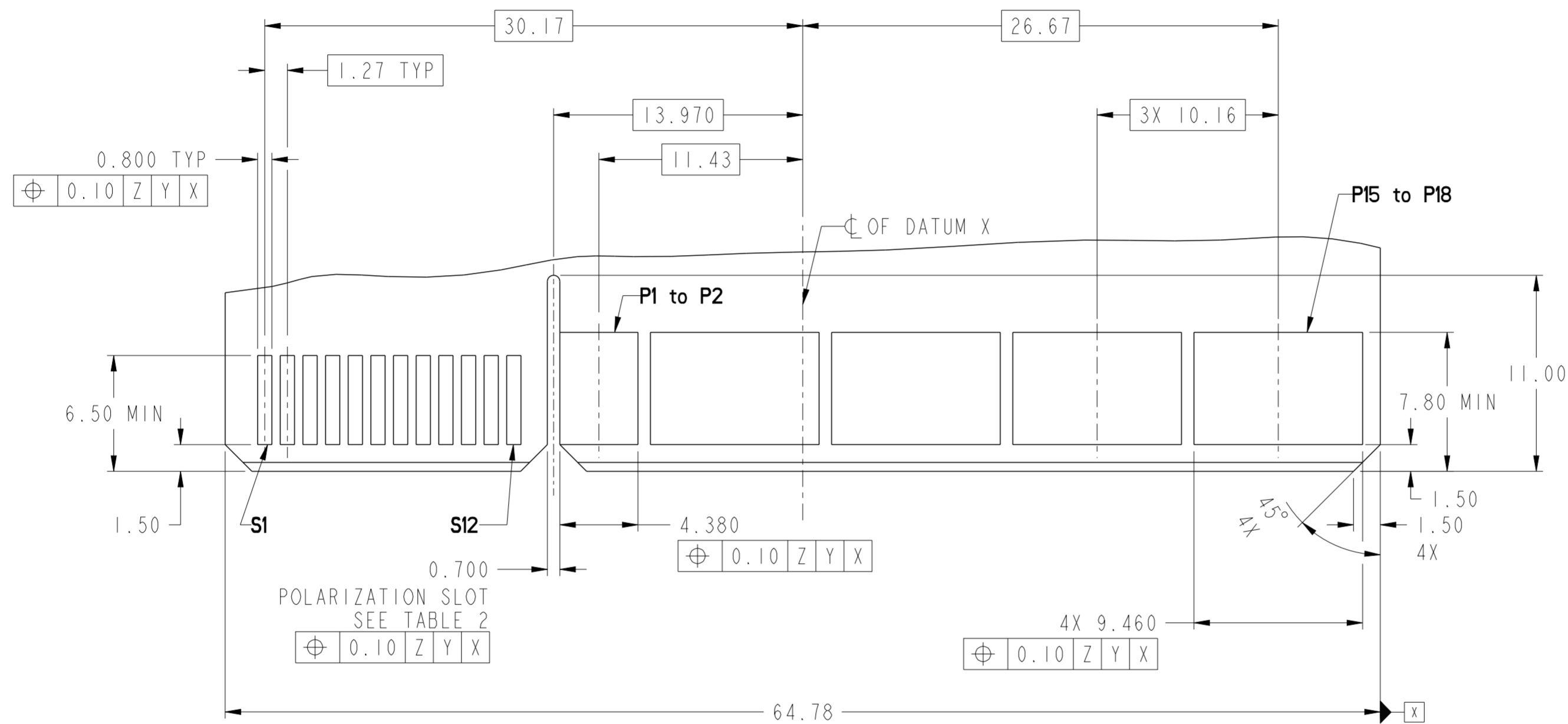
spec ref	-	dr	Wei-Long Zhang	2012/04/19	projection	MM	size	A2	scale	4:1
tolerance std	ISO 406 ISO 1101	eng	Wei-Long Zhang	2012/05/23	chr	-	ecn no	-	rel level	Released
surface	ISO 1302	appr	Pei-Ming Zheng	2012/05/28	product family		dwg no	10120821	rev	A
linear	0.X ±0.3 0.XX ±0.10 0.XXX ±0.05	angular	0° ±2°	www.fci.com		cat. no.		Product - Customer Drw		sheet 2 of 4

PDS: Rev :A

STATUS:Released

Printed: May 28, 2012

Copyright FCI. FCI



RECOMMENDED MATING BOARD FOOT PRINT



Copyright FCI.

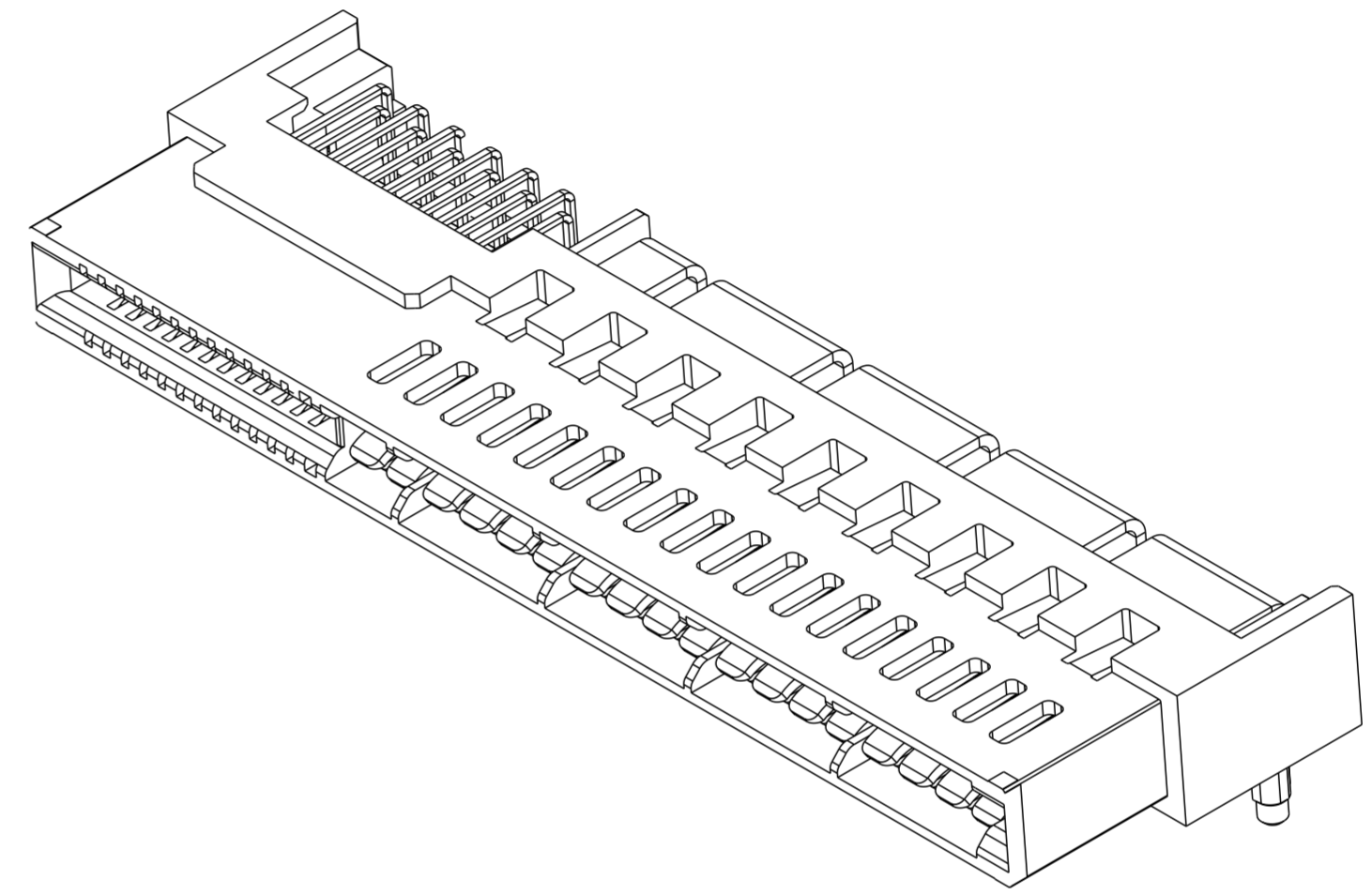
spec ref -		dr Wei-Long Zhang	2012/04/19	projection	MM	size A2	scale 4:1
tolerance std ISO 406 ISO 1101		eng Wei-Long Zhang	2012/05/23			ecn no -	rel level Released
TOLERANCES UNLESS OTHERWISE SPECIFIED		chr -	2012/05/28				
surface ISO 1302		appr Pei-Ming Zheng	2012/05/28	product family		cat. no.	
linear 0.X ±0.3 0.XX ±0.10 0.XXX ±0.05 angular 0° ±2°				title R/A RECT (24S-36P) HIGH POWER CARD EDGE		dwg no 10120821	rev A
www.fci.com				Product - Customer Drw		sheet 3 of 4	

PDS: Rev :A

STATUS:Released

Printed: May 28, 2012

HPCE PART NUMBER (TABLE 2)				
PART NUMBER	TAIL TYPE	HOLD-DOWN OPTION	ORIENTATION KEY	DIM "A" TYPICAL TAIL LENGTH
10120821-001LF	SOLDER TAIL	NO	YES	3.25±0.25
10120821-002LF			NO	
10120821-003LF		YES	YES	
10120821-004LF			NO	
10120821-005LF		NO	YES	2.60±0.25
10120821-006LF			NO	
10120821-007LF		YES	YES	
10120821-008LF			NO	



NOTES:

- CONNECTOR MATERIALS:
 HOUSING: HIGH TEMPERATURE THERMAL PLASTIC, BLACK
 UL 94V-0 COMPLIANT
 CONTACTS: HIGH PERFORMANCE COPPER ALLOY.
- CONTACT FINISH REF. GS-12-604 SECTION 5.2.
- PRODUCT SPECIFICATION: GS-12-604.
- APPLICATION SPECIFICATION: GS-20-128.
- PRODUCT MARKING (FCI - PART NUMBER & DATE CODE) ON HOUSING IN AREA SHOWN.
- PACKAGING MEETS FCI SPECIFICATION GS-14-937.
- HOUSING COMPONENT WILL WITHSTAND EXPOSURE TO 260°C PEAK TEMPERATURE FOR 60 SECONDS IN A CONVECTION, INFRA-RED, OR VAPOR PHASE REFLOW OVEN.
- COPPER PLATING THICKNESS IN CENTER OF VIA-HOLE CAN BE NO MORE THAN 0.003 LESS THAN OTHER AREAS.
- ALL HOLE SIZES ARE FINISHED HOLE SIZES.
- MOUNTING HOLES ARE UNPLATED
 $\varnothing 2.10 \pm 0.1$ FOR SOLDER TAILS

spec ref	-	dr	Wei-Long Zhang	2012/04/19	projection	MM	size	A2	scale	4:1		
tolerance std	ISO 406 ISO 1101	eng	Wei-Long Zhang	2012/05/23			ecn no	-		rel level	Released	
surface	ISO 1302	chr	-	appr			Pei-Ming Zheng	2012/05/28		product family	R/A RECT (24S-36P) HIGH POWER CARD EDGE	cat. no.
		linear	0.X	±0.3							rev	A
			0.XX	±0.10								
			0.XXX	±0.05								
		angular	0°	±2°								