



Chipsmall Limited consists of a professional team with an average of over 10 year of expertise in the distribution of electronic components. Based in Hongkong, we have already established firm and mutual-benefit business relationships with customers from,Europe,America and south Asia,supplying obsolete and hard-to-find components to meet their specific needs.

With the principle of “Quality Parts,Customers Priority,Honest Operation,and Considerate Service”,our business mainly focus on the distribution of electronic components. Line cards we deal with include Microchip,ALPS,ROHM,Xilinx,Pulse,ON,Everlight and Freescale. Main products comprise IC,Modules,Potentiometer,IC Socket,Relay,Connector.Our parts cover such applications as commercial,industrial, and automotives areas.

We are looking forward to setting up business relationship with you and hope to provide you with the best service and solution. Let us make a better world for our industry!



Contact us

Tel: +86-755-8981 8866 Fax: +86-755-8427 6832

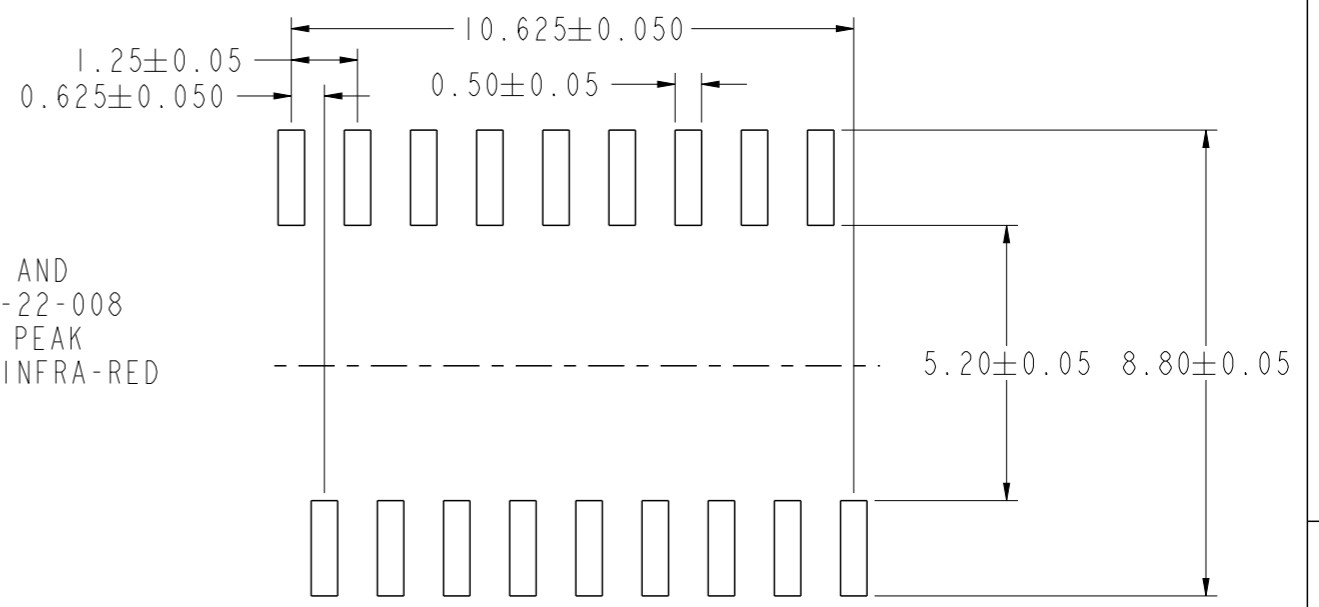
Email & Skype: info@chipsmall.com Web: www.chipsmall.com

Address: A1208, Overseas Decoration Building, #122 Zhenhua RD., Futian, Shenzhen, China

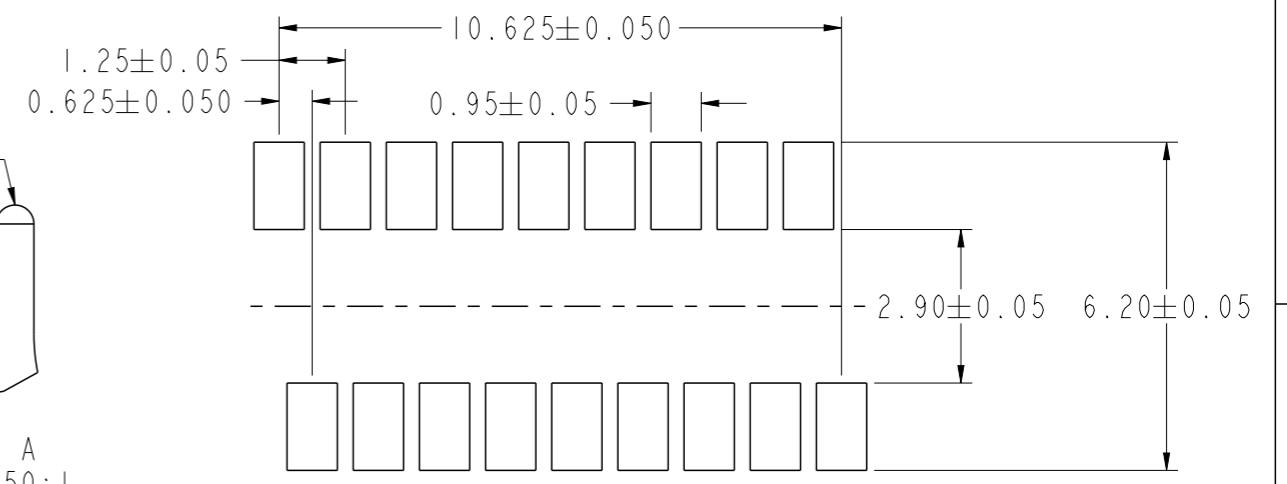


PRODUCT NO.	PACKAGING
10121135-001LF	TUBE
10121135-001TRLF	TAPE AND REEL

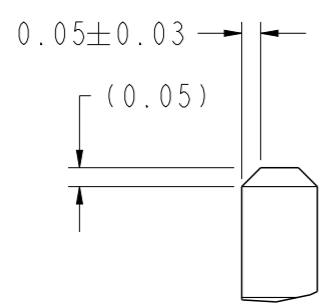
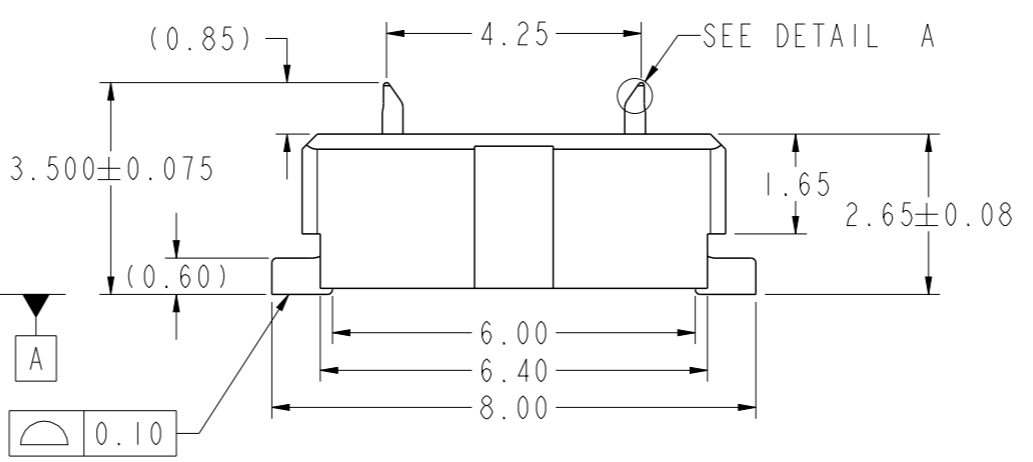
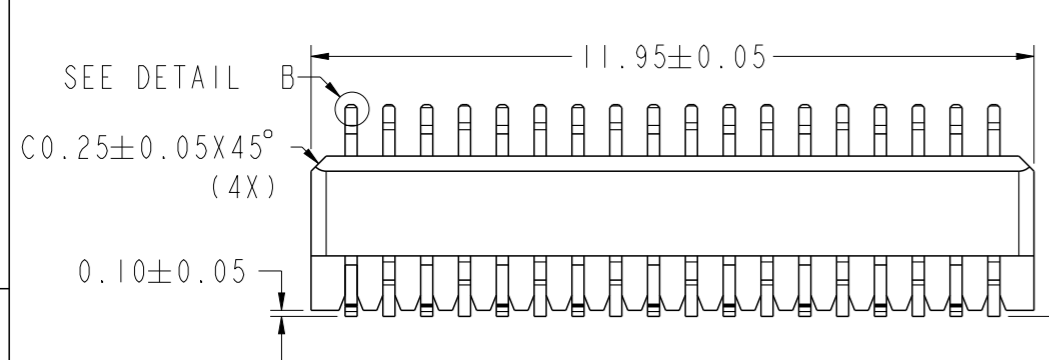
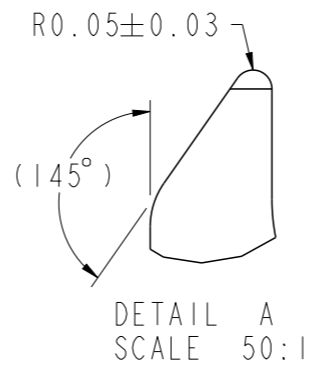
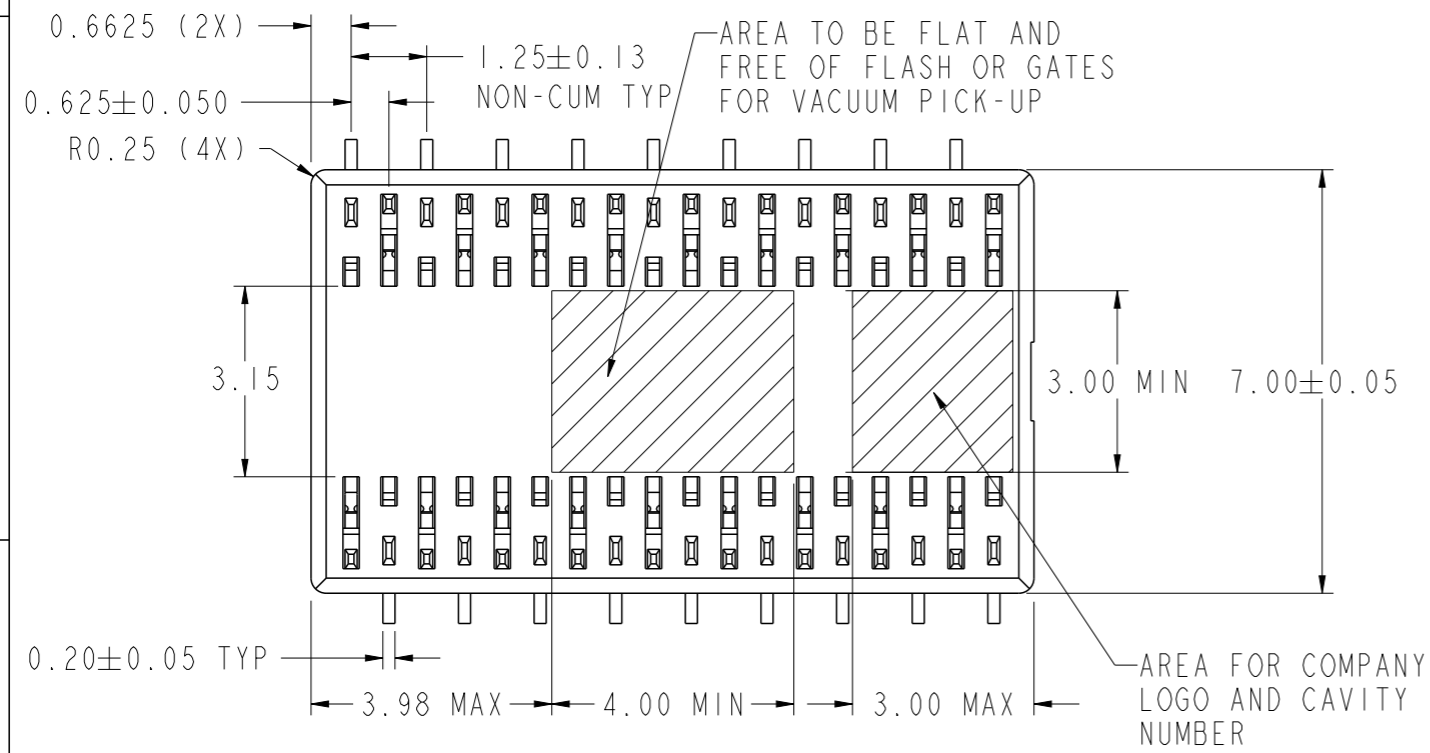
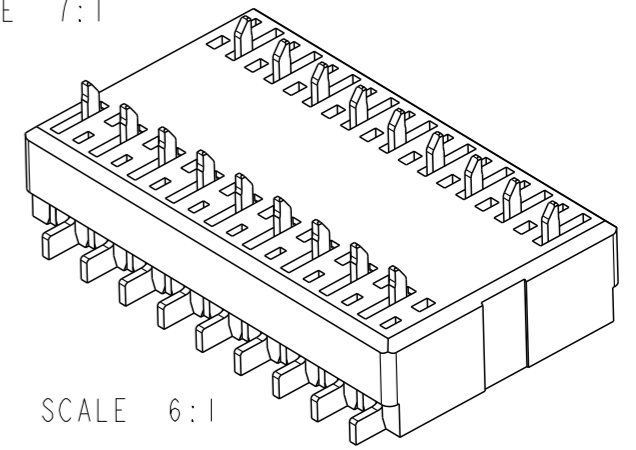
- NOTES:
- MATERIALS:
HOUSING: HIGH TEMPERATURE PLASTIC, BLACK
CONTACT: COPPER ALLOY
 - CONTACT FORCE:
115g MIN WHEN COMPRESSED TO A WORKING OR
STACK HEIGHT OF 2.97 mm FROM DATUM A
 - THIS PRODUCT MEETS EUROPEAN UNION DIRECTIVES AND
OTHER COUNTRY REGULATIONS AS DESCRIBED IN GS-22-008
 - THE HOUSING WILL WITHSTAND EXPOSURE TO 260°C PEAK
TEMPERATURE FOR 10 SECONDS IN A CONVECTION, INFRA-RED
OR VAPOR PHASE REFLOW OVEN
 - PLATING:
TIN (LEAD FREE) OVER NICKEL UNDERPLATE



SCALE 7:1
RECOMMENDED SMT PAD DIM.
(NO. OF PADS DEPEND ON NO. OF POSITIONS OF THE CONNECTOR)



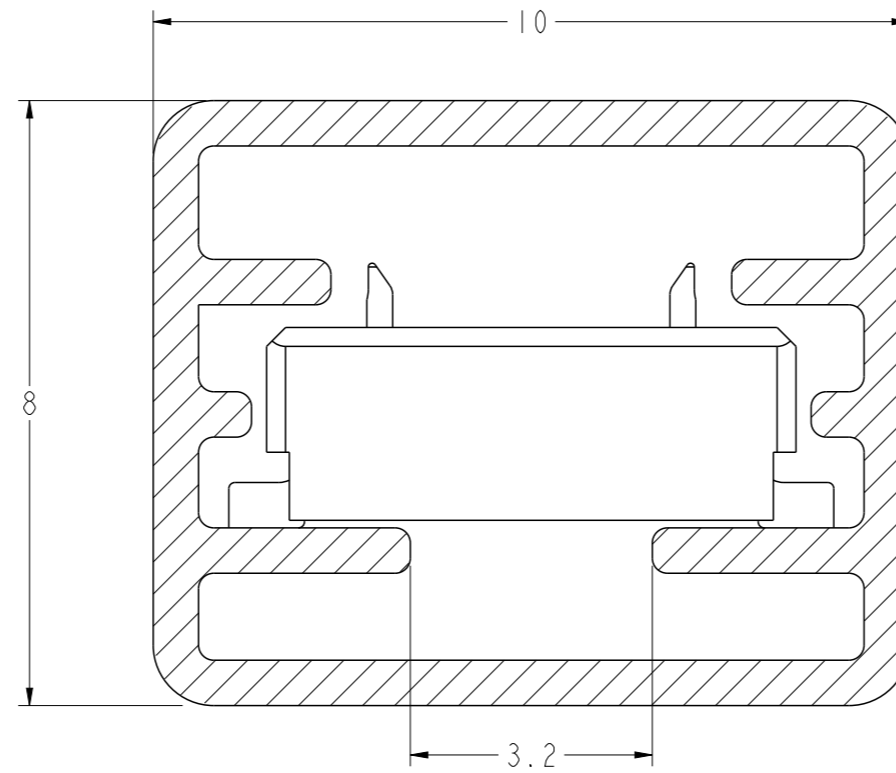
RECOMMENDED CONTACT PAD DIM.
(NO. OF PADS DEPEND ON NO. OF POSITIONS OF THE CONNECTOR)
SCALE 7:1



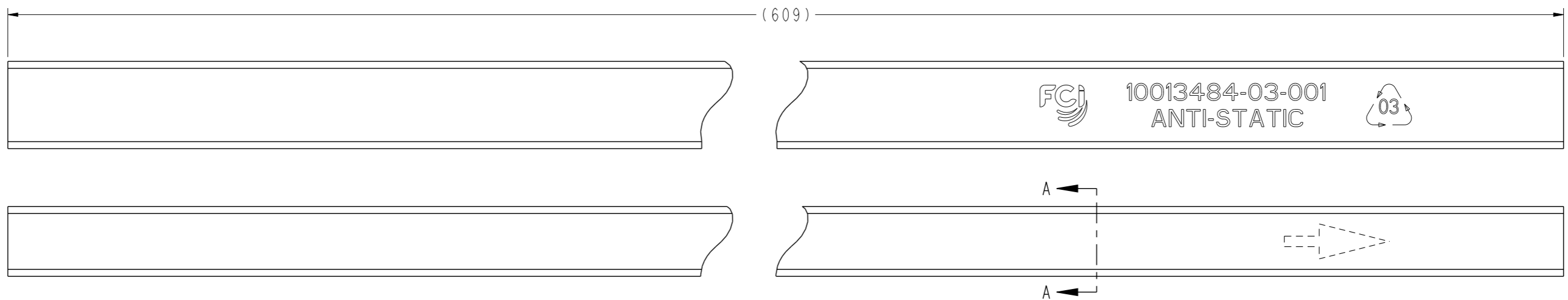
spec ref	dr	Dennis Goh	2012/10/24	projection	MM	size	A3	scale	8:1
tolerance std	eng	Dennis Goh	2012/11/06			ecn no	-	rel level	Released
ASME Y14.5	chr	-	-						
TOLERANCES UNLESS OTHERWISE SPECIFIED ASME Y14.5	appr	Chen-Hong Tan	2012/11/06	product family					
	surface	linear	0.X ±0.2 0.XX ±0.10 0.XXX ±0.050		COMPRESSOR CONNECTOR (1.25 mm PITCH)	dwg no	10121135	rev	A
ASME Y14.5	angular	0° ±2°	www.fci.com	cat. no.	Product - Customer Drw	sheet 1 of 2			

Copyright FCI.

TUBE PACKAGING



SECTION A-A
SCALE 10:1



dr	Dennis Goh	2012/10/24	projection	MM	size	A3	scale	8:1
eng	Dennis Goh	2012/11/06			ecn no			
chr	-	-			rel level			
appr	Chen-Hong Tan	2012/11/06	product family			Released		
		COMPRESSION CONNECTOR (1.25 mm PITCH)			cat. no.	Product - Customer Drw	sheet 2 of 2	rev A

NOTE:
QTY: 49 PCS PER TUBE