



Chipsmall Limited consists of a professional team with an average of over 10 year of expertise in the distribution of electronic components. Based in Hongkong, we have already established firm and mutual-benefit business relationships with customers from,Europe,America and south Asia,supplying obsolete and hard-to-find components to meet their specific needs.

With the principle of "Quality Parts,Customers Priority,Honest Operation,and Considerate Service",our business mainly focus on the distribution of electronic components. Line cards we deal with include Microchip,ALPS,ROHM,Xilinx,Pulse,ON,Everlight and Freescale. Main products comprise IC,Modules,Potentiometer,IC Socket,Relay,Connector.Our parts cover such applications as commercial,industrial, and automotives areas.

We are looking forward to setting up business relationship with you and hope to provide you with the best service and solution. Let us make a better world for our industry!



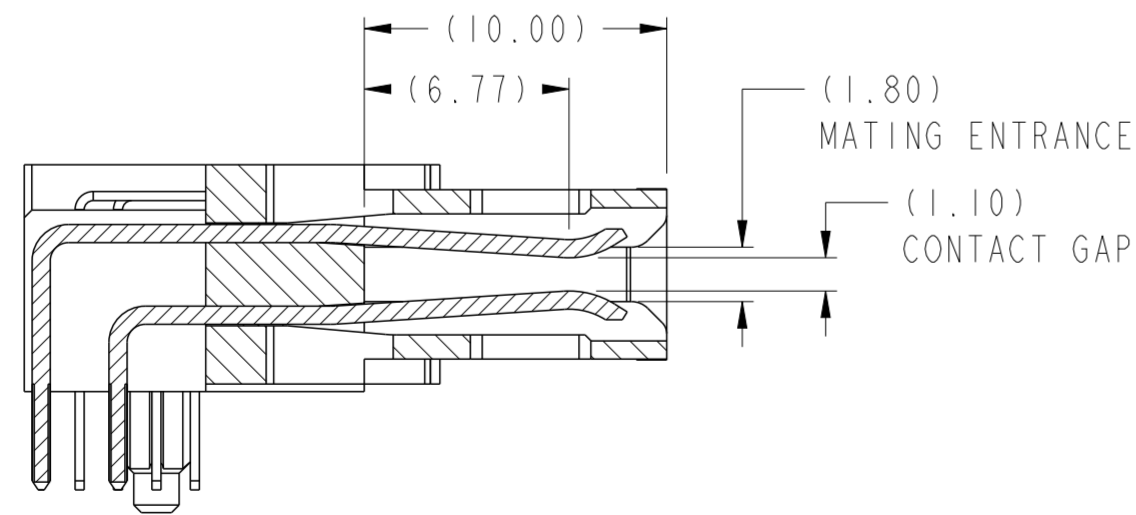
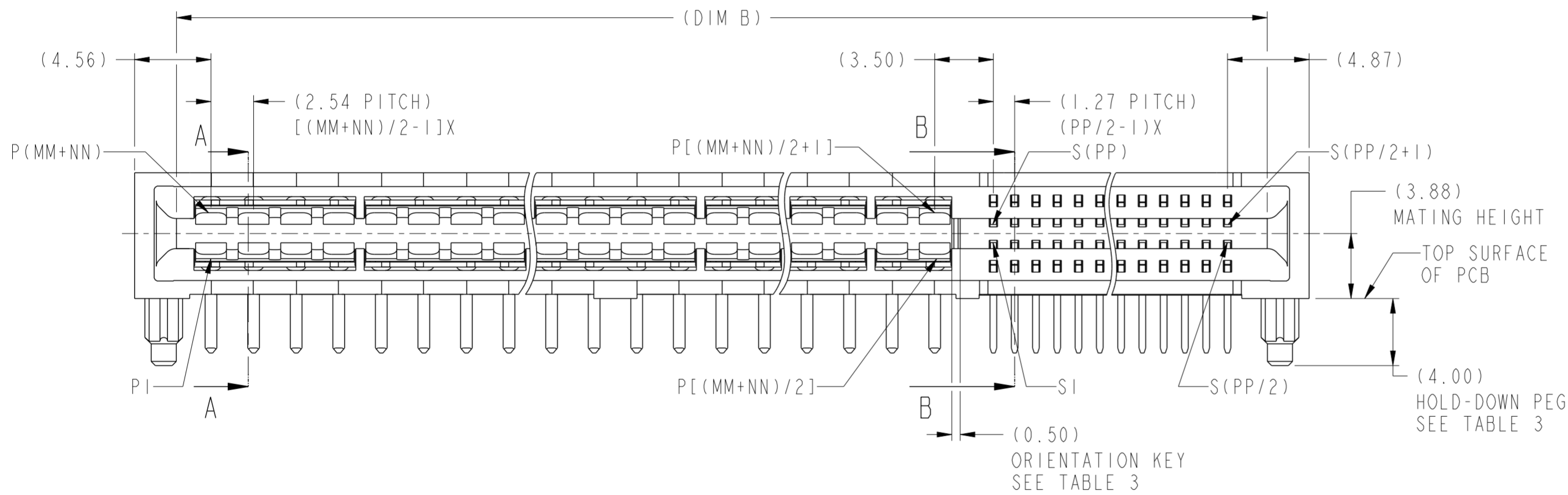
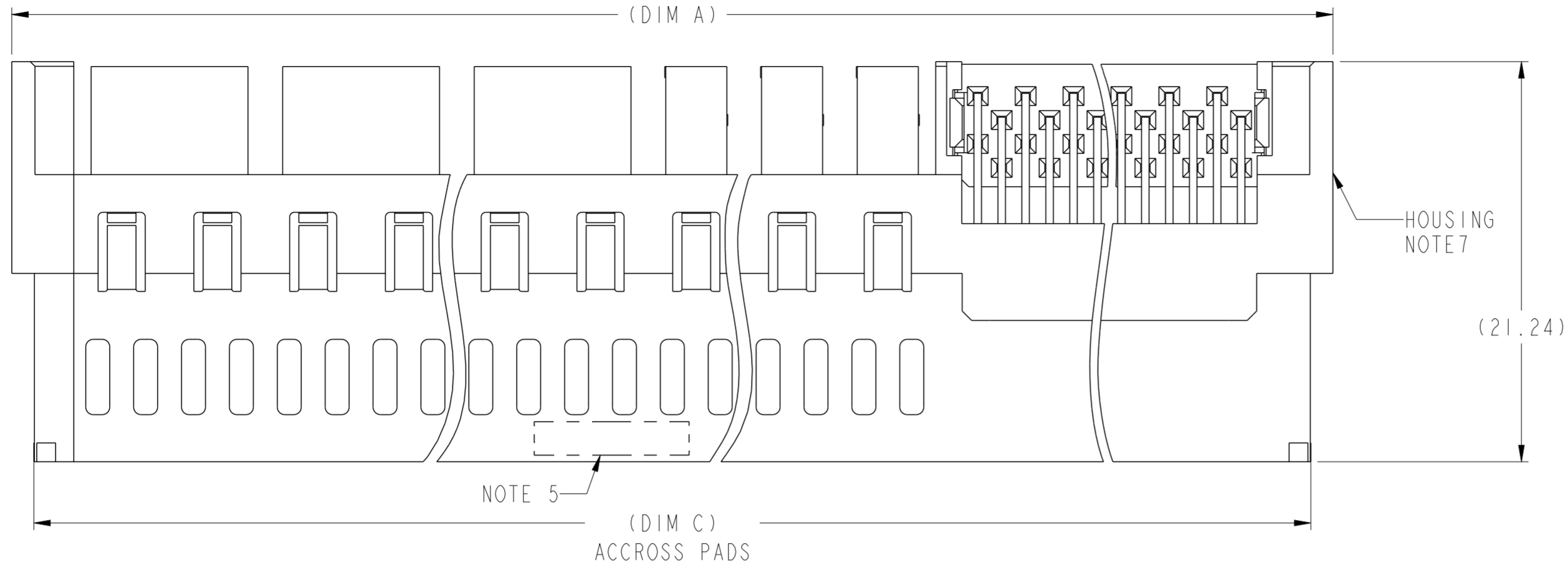
## Contact us

Tel: +86-755-8981 8866 Fax: +86-755-8427 6832

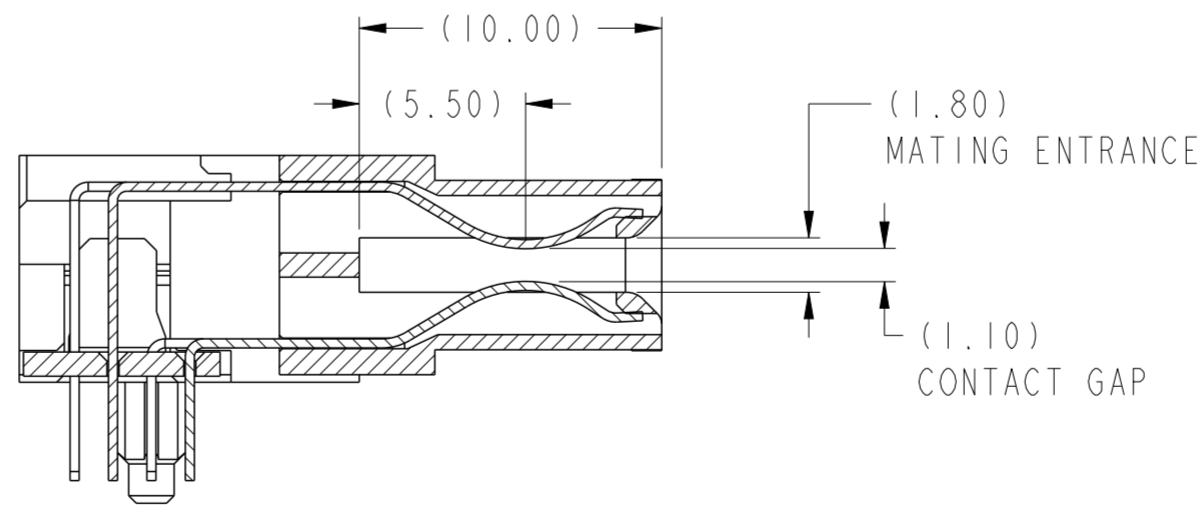
Email & Skype: info@chipsmall.com Web: www.chipsmall.com

Address: A1208, Overseas Decoration Building, #122 Zhenhua RD., Futian, Shenzhen, China





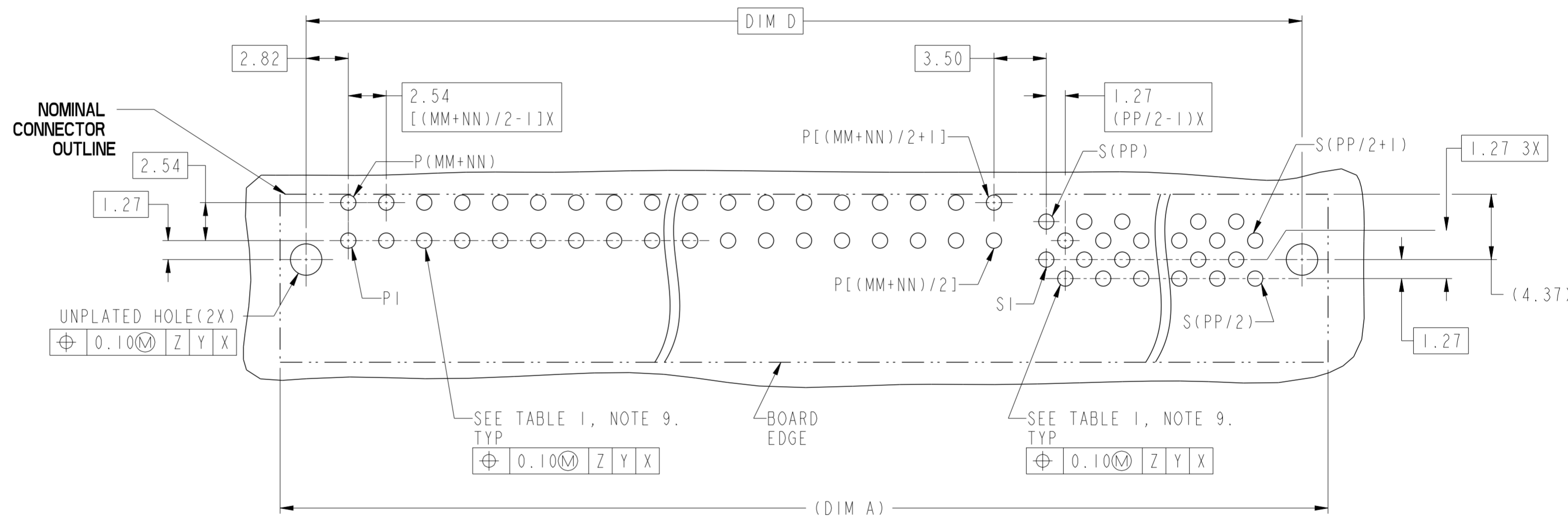
SECTION A-A  
SCALE 4:1



SECTION B-B  
SCALE 4:1

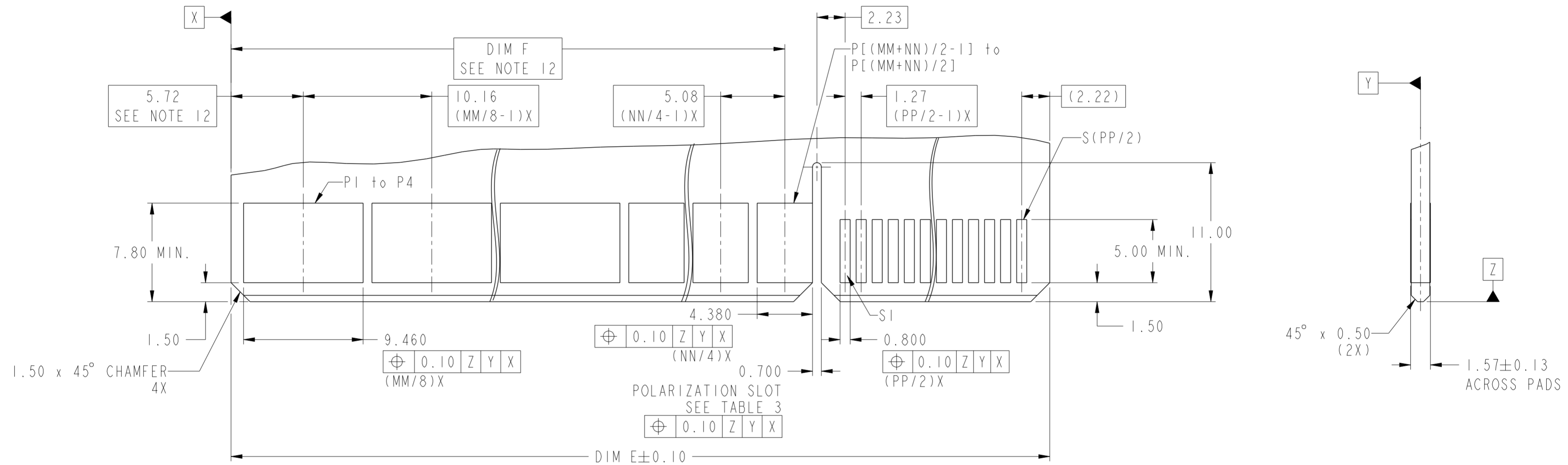
spec ref	-	dr	Wei-Long Zhang	2012/08/02	projection	MM	size	A2	scale	4:1
tolerance std	ISO 406 ISO 1101	eng	Sunny2 Liu	2016/05/06			ecn no	ELX-DG-24036-1	rel level	Released
TOLERANCES UNLESS OTHERWISE SPECIFIED		chr	Teris Liu	2016/05/20						
surface	linear	0.X	±0.3		<b>Amphenol FCI</b>		title R/A RECEPTACLE HIGH POWER CARD EDGE - UNIVERSAL	dwg no 10121510	rev B	
		0.XX	±0.10		cat. no.	Product - Customer Drw				sheet 1 of 4
	angular	0°	±2°							

CONTACT TYPE	TOP LAYER DESCRIPTION	TABLE 1 (HPCE / SOLDER TAILS) PLATED THROUGH-HOLE REQUIREMENTS				
		DRILLED HOLE DIAMETER	COPPER THICKNESS	TIN-LEAD THICKNESS	TIN THICKNESS	FINISHED HOLE DIAMETER
POWER & SIGNAL	TIN-LEAD	1.10-1.16 (1.15 DRILL)	0.025 - 0.050	0.005 - 0.015	--	0.94 - 1.10
	IMMERSION TIN	1.10-1.16 (1.15 DRILL)	0.025 - 0.050	--	0.9 - 1.5um	0.94 - 1.10
	COPPER (SEE NOTE 8)	1.10-1.16 (1.15 DRILL)	0.025 - 0.050	--	--	0.94 - 1.10



## RECOMMENDED PCB LAYOUT

spec ref	-	dr	Wei-Long Zhang	2012/08/02	projection	MM	size	A2	scale	4:1
tolerance std	ISO 406 ISO 1101	eng	Sunny2 Liu	2016/05/06			ecn no	ELX-DG-24036-1	rel level	Released
TOLERANCES UNLESS OTHERWISE SPECIFIED		chr	Terris Liu	2016/05/20						
		appr	Pei-Ming Zheng	2016/05/24						
surface	linear	0.X	±0.3	Amphenol FCI		product family	R/A RECEPTACLE	cat. no.	Product - Customer Drw	sheet 2 of 4
		0.XX	±0.10	HIGH POWER CARD EDGE - UNIVERSAL		dwg no	10121510	rev	B	
	angular	0°	±2°							



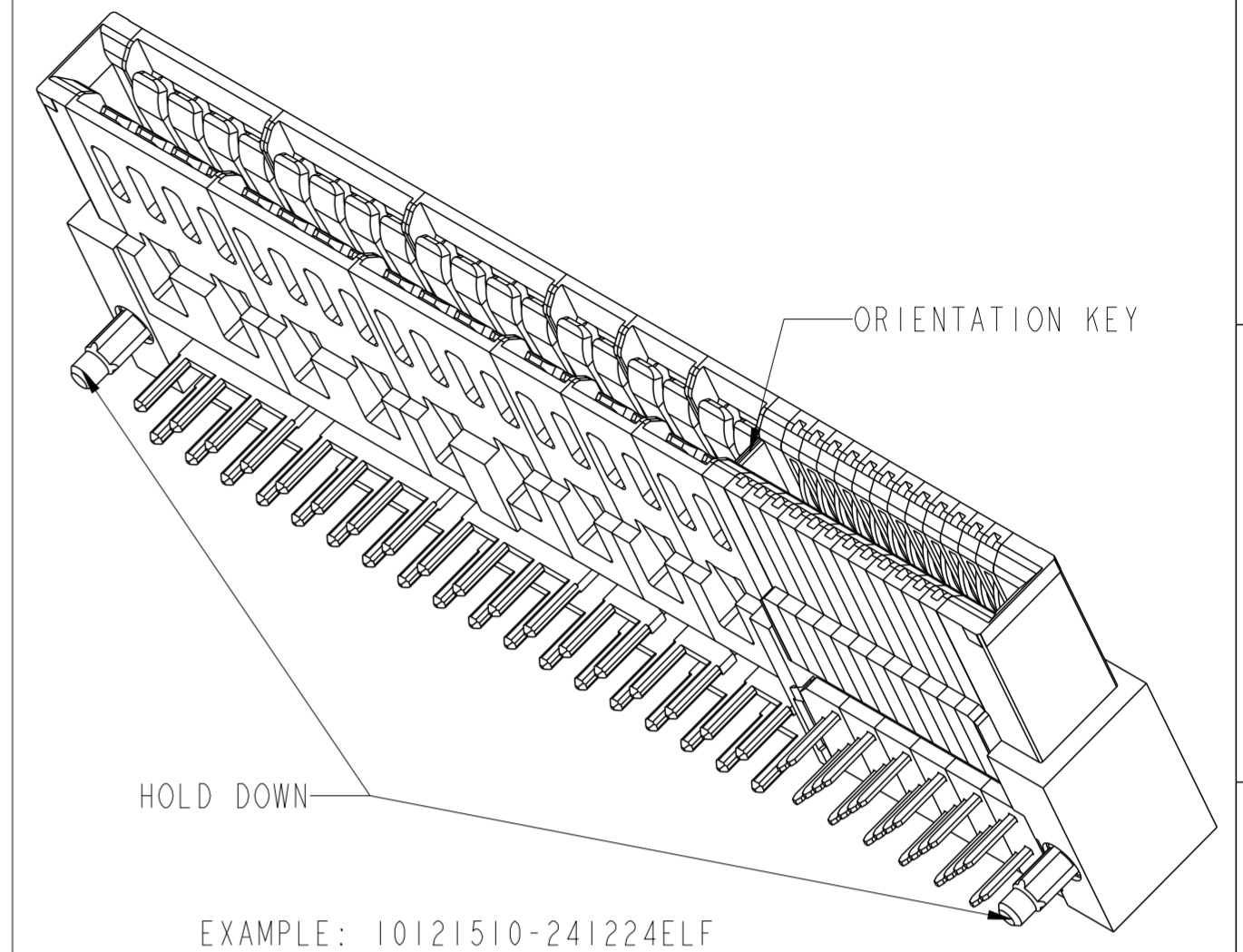
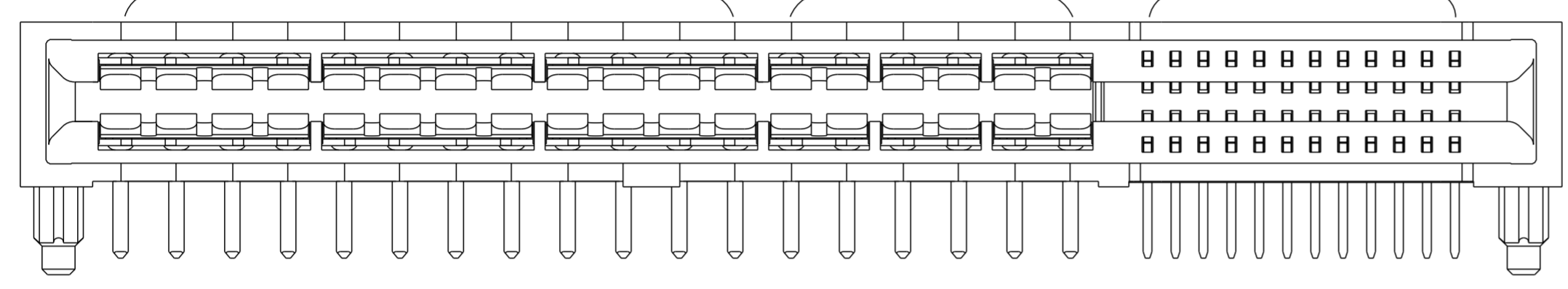
### RECOMMENDED MATING BOARD FOOT PRINT

spec ref	-	dr	Wei-Long Zhang	2012/08/02	projection	MM	size	A2	scale	4:1	
tolerance std	ISO 406 ISO 1101	eng	Sunny2 Liu	2016/05/06			ecn no	ELX-DG-24036-1	rel level	Released	
surface	ISO 1302	chr	Terris Liu	2016/05/20							
		appr	Pai-Ming Zheng	2016/05/24							
TOLERANCES UNLESS OTHERWISE SPECIFIED		Amphenol FCI		R/A RECEPTACLE		cat. no.		Product - Customer Drw		sheet 3 of 4	
linear	0.X ±0.3 0.XX ±0.10 0.XXX ±0.05	angular	0°	±2°	R/A RECEPTACLE HIGH POWER CARD EDGE - UNIVERSAL		divg no	10121510		rev	B

10121510 - MM NN PP LF LEAD FREE

	A	B	C	D	E	F	G	H
Tail Length(DIM T)	2.6	2.6	2.6	2.6	3.25	3.25	3.25	3.25
Orientation Key	Y	N	N	Y	Y	N	N	Y
Hold Down Option	Y	Y	N	N	Y	Y	N	N

4 BEAM PWR QTY (NEXT TO LEFT END)      2 BEAM PWR QTY (NEXT TO SIGNAL)      SIGNAL CONTACT QTY



Example: The Configuration above is 10121510-241224ELF  
 R/A RECEPTACLE 36P24S with Orientation Key and Hold Down.  
 24P is 4 beam contacts, 12P is 2 beam contacts.

TABLE 3: PART NUMBER CODE FOR HPCE R/A RECEPTACLE P+S CONFIG

Amphenol FCI

NOTES:

- CONNECTOR MATERIALS:  
 HOUSING: HIGH TEMPERATURE THERMAL PLASTIC, BLACK  
 UL 94V-0 COMPLIANT  
 CONTACTS: HIGH PERFORMANCE COPPER ALLOY.
- CONTACT FINISH REF. GS-12-604 SECTION 5.2.
- PRODUCT SPECIFICATION: GS-12-604.
- APPLICATION SPECIFICATION: GS-20-128.
- PRODUCT MARKING ON HOUSING IN AREA SHOWN MEETS AFCI SPECIFICATION: GS-24-007.
- PACKAGING MEETS FCI SPECIFICATION GS-14-937.
- HOUSING COMPONENT WILL WITHSTAND EXPOSURE TO 260°C PEAK TEMPERATURE FOR 60 SECONDS IN A CONVECTION, INFRA-RED, OR VAPOR PHASE REFLOW OVEN.
- COPPER PLATING THICKNESS IN CENTER OF VIA-HOLE CAN BE NO MORE THAN 0.003 LESS THAN OTHER AREAS.
- ALL HOLE SIZES ARE FINISHED HOLE SIZES.
- MOUNTING HOLES ARE UNPLATED  
 $\varnothing$  2.18 +/- 0.03 FOR SOLDER TAILS
- MAXIMUM OVERALL LENGTH IS 100mm.
- DIM IS NOT APPLICABLE IF NO 4 BEAM CONTACT OR 2 BEAM CONTACT.
- A SYMBOL  $\triangle B$  WILL BE NEXT TO ANY DIMENSION, VIEW, OR NOTE WHICH HAS BEEN MODIFIED WITH THE CURRENT DRAWING REVISION.

TABLE 2: LENGTH FORMULAS

DIM A ①	$(MM + NN) / 2 \times 2.54 + (PP / 2) \times 1.27 + 9.12$
DIM B	DIM A - 5.00
DIM C	DIM A - 2.34
DIM D	DIM A - 3.48
DIM E	DIM A - 5.30
DIM F ②	$(MM / 8 - 1) \times 10.16 + (NN / 4 - 1) \times 5.08 + 13.34$ (WITH 4 BEAM CONTACT) $(NN / 4 - 1) \times 5.08 + 3.18$ (WITHOUT 4 BEAM CONTACT)
DIM T	2.6 or 3.25

spec ref	-	dr	Wei-Long Zhang	2012/08/02	projection	MM	size	A2	scale	4:1	
tolerance std	ISO 406 ISO 1101	eng	Sunny2 Liu	2016/05/06			ecn no	ELX-DG-24036-1	rel level	Released	
TOLERANCES UNLESS OTHERWISE SPECIFIED		chr	Terris Liu	2016/05/20							product family
surface	linear	angular	0.X	±0.3	Amphenol FCI		title	R/A RECEPTACLE		rev	B
			0.XX	±0.10			dwg no	10121510			
			0.XXX	±0.05							
			0°	±2°							

© 2016 AFCI