



Chipsmall Limited consists of a professional team with an average of over 10 year of expertise in the distribution of electronic components. Based in Hongkong, we have already established firm and mutual-benefit business relationships with customers from,Europe,America and south Asia,supplying obsolete and hard-to-find components to meet their specific needs.

With the principle of “Quality Parts,Customers Priority,Honest Operation,and Considerate Service”,our business mainly focus on the distribution of electronic components. Line cards we deal with include Microchip,ALPS,ROHM,Xilinx,Pulse,ON,Everlight and Freescale. Main products comprise IC,Modules,Potentiometer,IC Socket,Relay,Connector.Our parts cover such applications as commercial,industrial, and automotives areas.

We are looking forward to setting up business relationship with you and hope to provide you with the best service and solution. Let us make a better world for our industry!



## Contact us

Tel: +86-755-8981 8866 Fax: +86-755-8427 6832

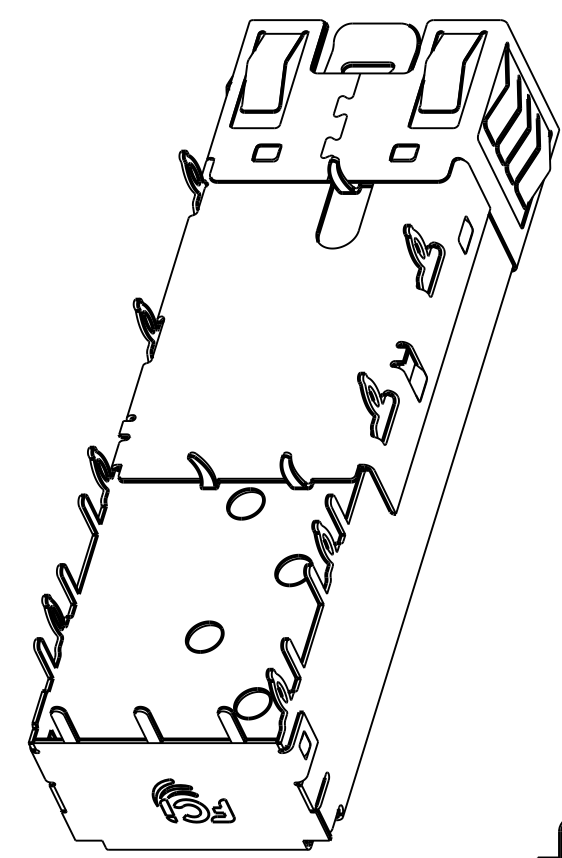
Email & Skype: info@chipsmall.com Web: www.chipsmall.com

Address: A1208, Overseas Decoration Building, #122 Zhenhua RD., Futian, Shenzhen, China

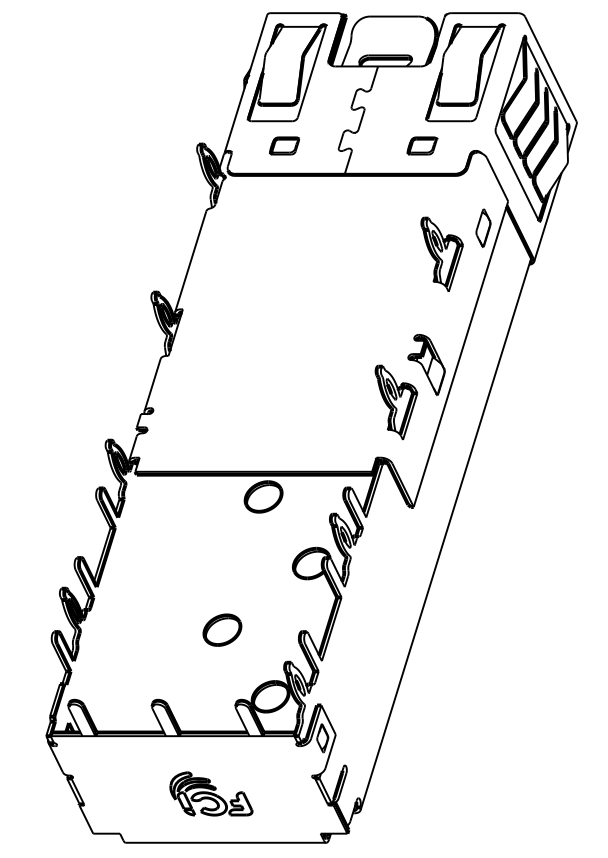
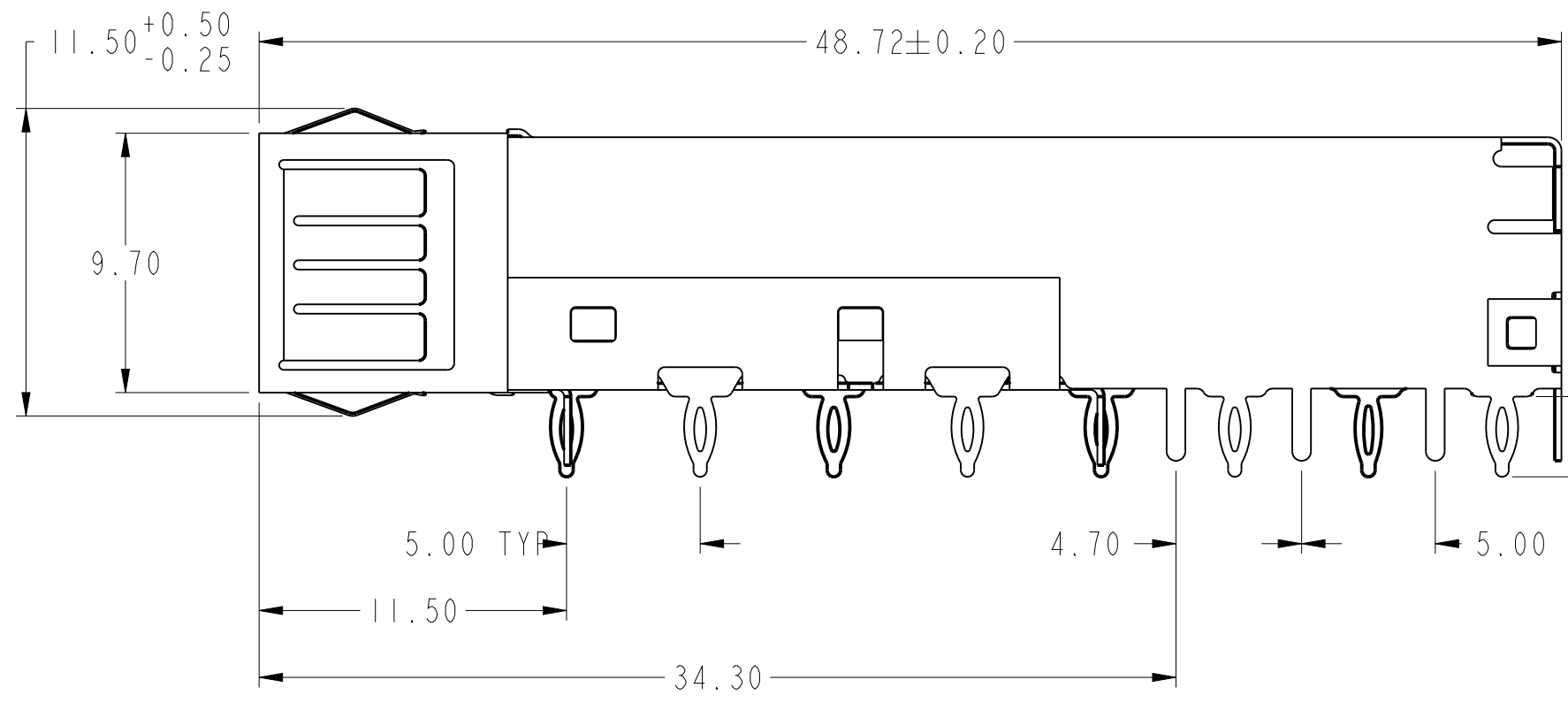
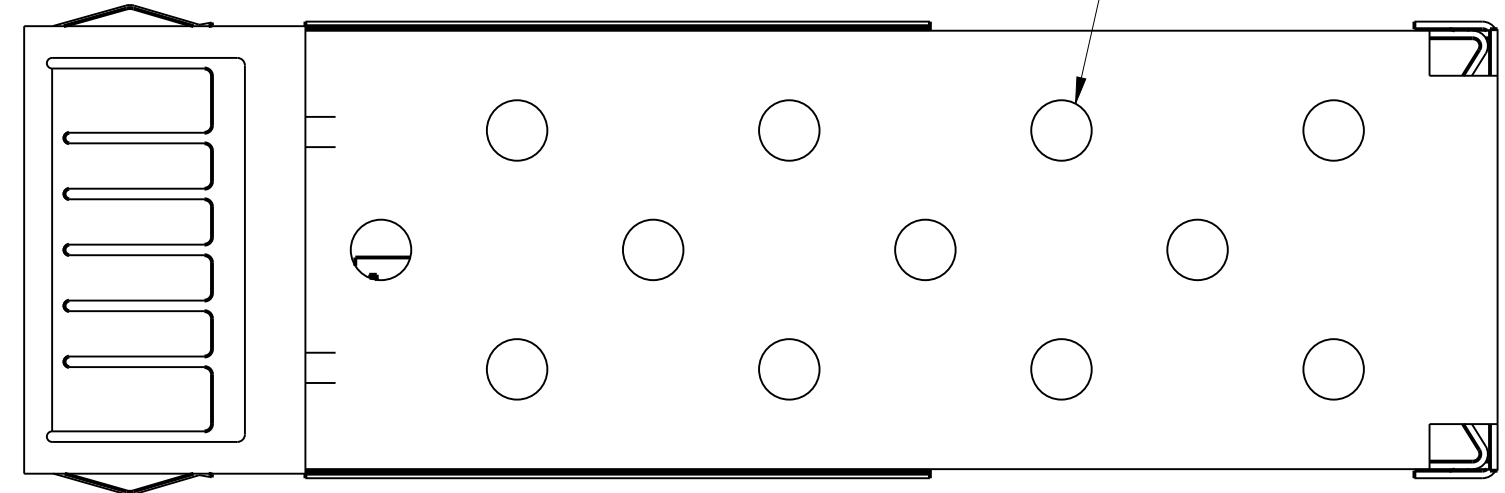
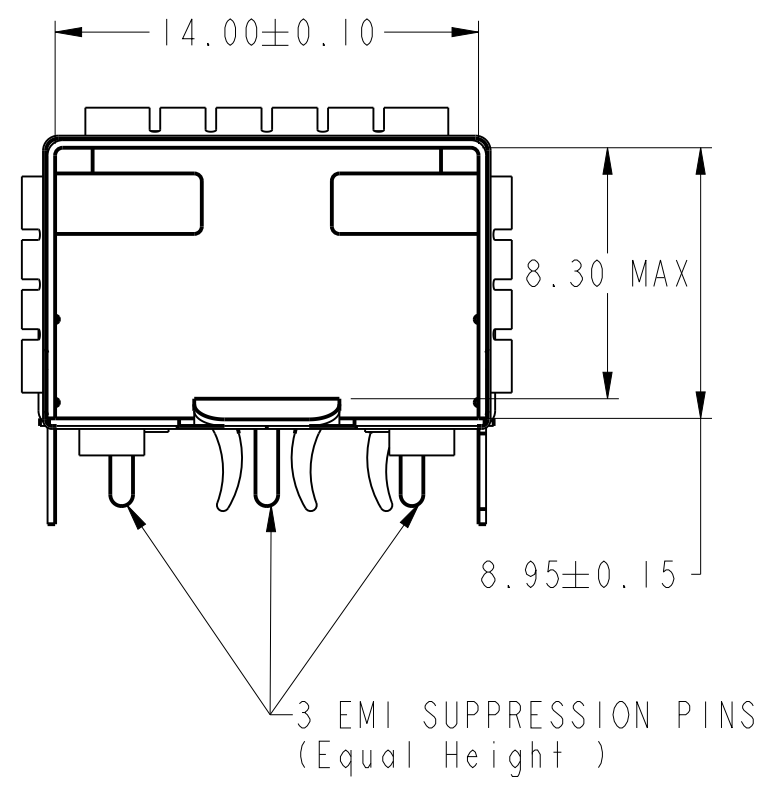


PRODUCT NUMBER	TYPE	TOP CAGE HOLE	PACKAGE
10122382-101LF	3 EMI SUPPRESSION PINS IN TOP CAGE & COMPLIANT PINS IN BOTTOM CAGE	WITHOUT HOLE	TRAY
10122382-102LF	3 EMI SUPPRESSION PINS IN TOP CAGE & COMPLIANT PINS IN BOTTOM CAGE	WITH HOLE	TRAY
10122382-202LF	3 EMI SUPPRESSION PINS IN TOP CAGE & NO COMPLIANT PINS IN BOTTOM CAGE	WITH HOLE	TRAY
10122382-112LF	3 EMI SUPPRESSION PINS IN TOP CAGE & COMPLIANT PINS IN BOTTOM CAGE	WITH HOLE	Tape&Reel

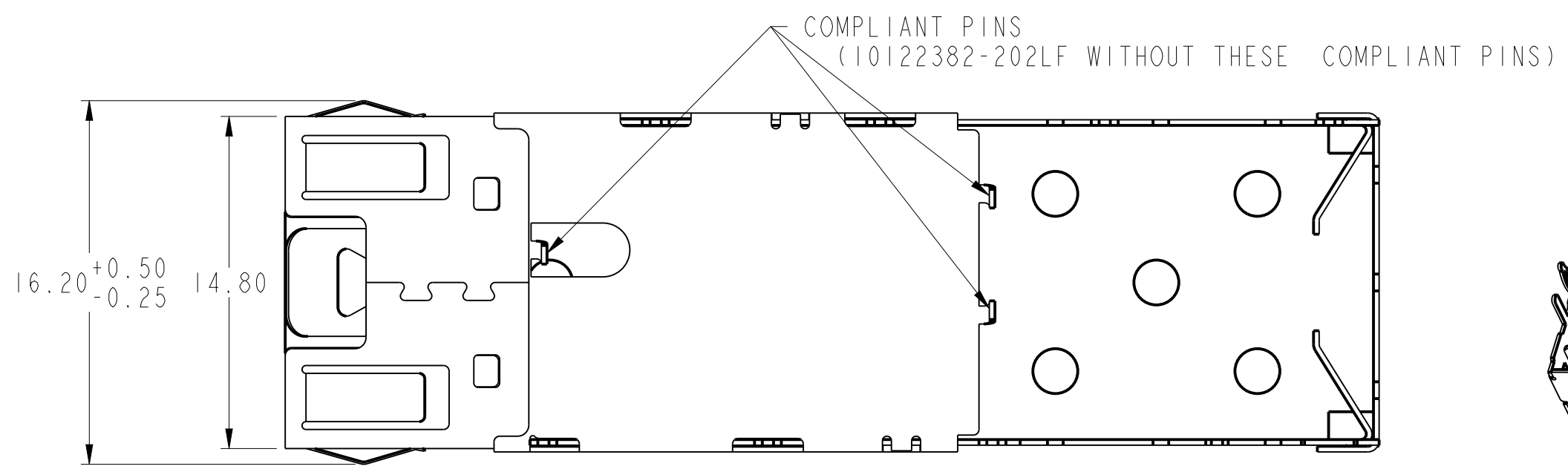
12x TOP CAGE HOLES  
SEE TABLE  
(10122382-101LF WITHOUT HOLES)



10122382-102LF  
SFP+ IXI CAGE BASIC TYPE



10122382-202LF  
(NO COMPLIANT PINS IN BOTTOM CAGE)



10122382-102LF  
3 EMI SUPPRESSION PINS IN TOP CAGE & COMPLIANT PINS IN BOTTOM CAGE

10122382-101LF  
(NO TOP CAGE HOLES FOR BETTER EMI PERFORMANCE)

- NOTES:
- MATERIAL:  
CAGE BODY: NICKEL SILVER ALLOY  
EMI SPRING: STAINLESS STEEL  
INSULATION TAPE: SILICON POLYIMIDE
  - DATUM AND BASIC DIMENSIONS ARE ESTABLISHED BY CUSTOMER.
  - PADS AND VIAS ARE CHASSIS GROUND, 11 PLACES.
  - THROUGH HOLES, PLATING OPTIONAL.
  - CROSS-HATCHED AREA DENOTES COMPONENT AND TRACE KEEP-OUT (EXCEPT CHASSIS GROUND).
  - THIS AREA DENOTES COMPONENT KEEP-OUT (TRACES ALLOWED).
  - PRODUCT SPECIFICATION: GS-12-1165
  - APPLICATION SPECIFICATION: GS-20-0384
  - PACKAGE PER GS-14-2344 AND GS-14-920
  - PRODUCT MEETS EUROPEAN UNION DIRECTIVES AND OTHER COUNTRY REGULATIONS AS DESCRIBED IN GS-22-008.

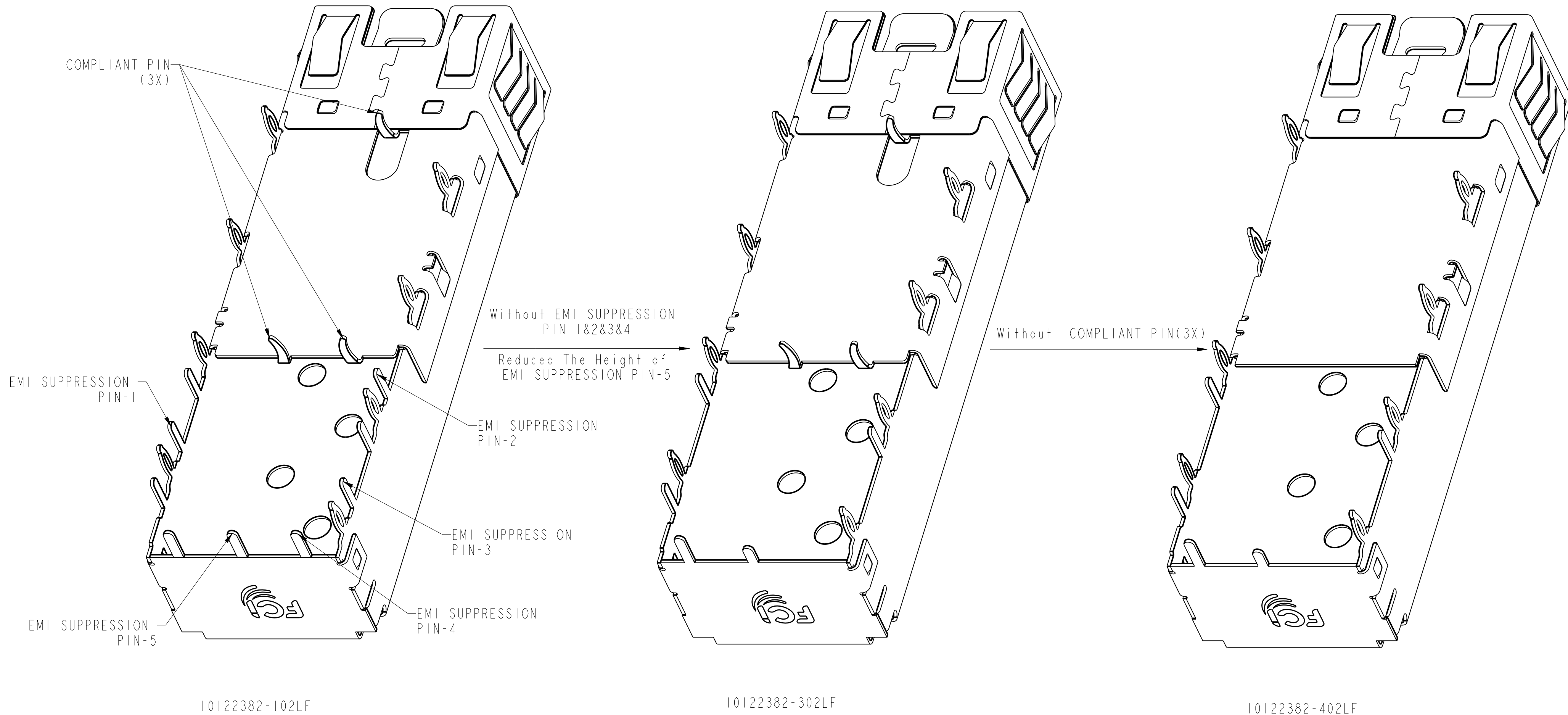
spec ref	RELEASE	dr	LhA	2016-02-16	projection	MM	size	A2	scale	4:1
tolerance std	TOLERANCES UNLESS OTHERWISE SPECIFIED	eng	LhA	2016-02-16			ecn no	MD-0576	rel level Released	rev D
ASME Y14.5		chr		app			Pei-Ming Zhong	2016-02-16		
surface	linear	0.X	±0.25	<b>Amphenol FCI</b>		SFP+ IXI Cage EMI SPRING TYPE		cat. no. 10122382	Product - Customer Draw	sheet 1 of 6
ISO 1302	angular	0°	±2°	PDS: Rev :D		STATUS: Released		Printed: Aug 18, 2016		

Amphenol FCI

© 2016 APCI



PRODUCT NUMBER	TYPE	TOP CAGE HOLE	PACKAGE
10122382-302LF	2 EMI SUPPRESSION PINS IN TOP CAGE & COMPLIANT PINS IN BOTTOM CAGE	WITH HOLE	TRAY
10122382-402LF	2 EMI SUPPRESSION PINS IN TOP CAGE & NO COMPLIANT PINS IN BOTTOM CAGE	WITH HOLE	TRAY



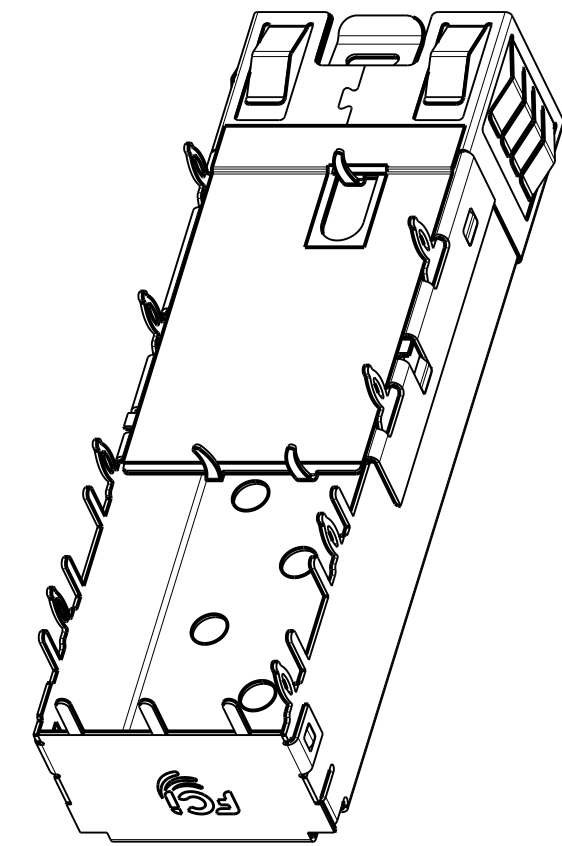
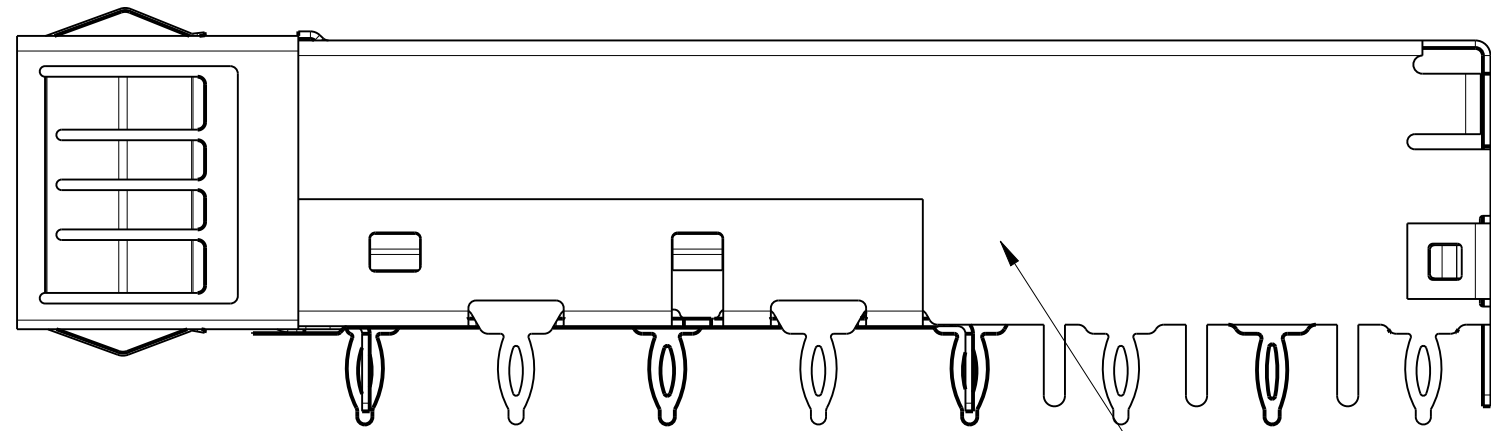
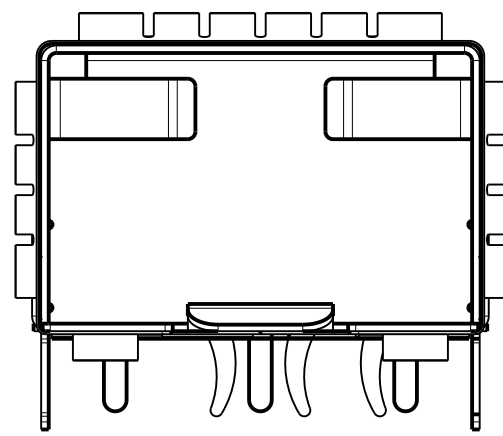
10122382-302LF/402LF WILL ALLOW FOR BELLY TO BELLY MOUNTING.

Amphenol  
FCi

© 2016 AFci

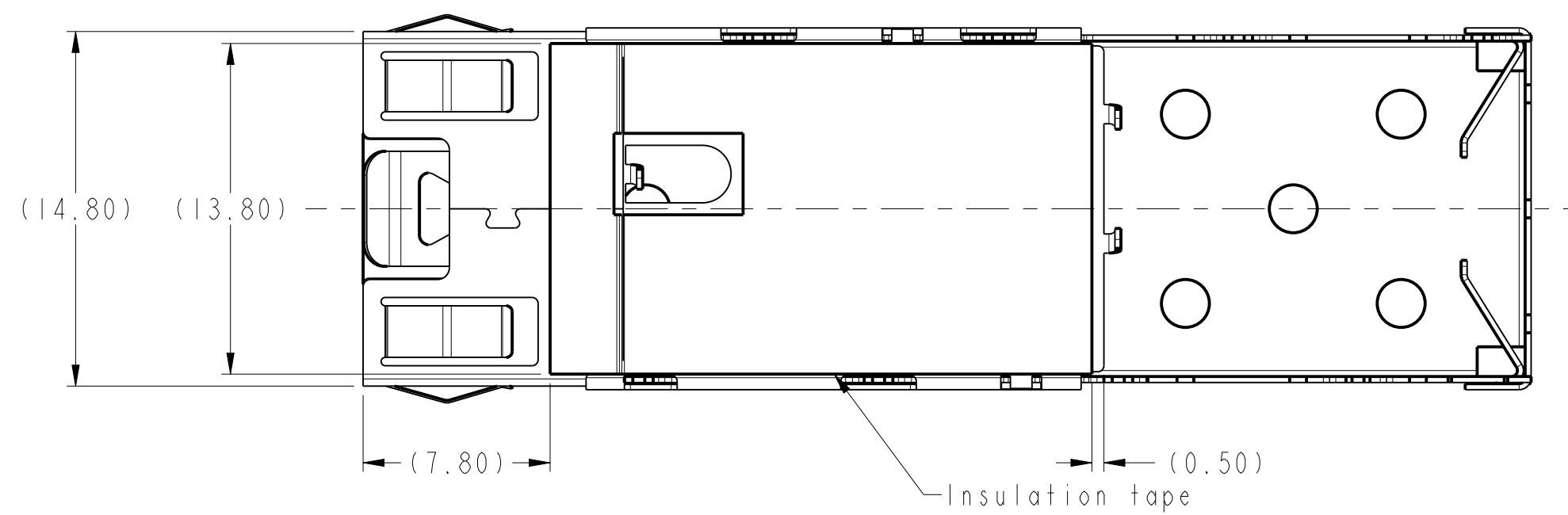
spec ref	RELEASE	dr	LhA	2016-02-16	projection	MM	size	A2	scale	5:1
tolerance std	ASME Y14.5	eng	LhA	2016-02-16			ecn no	ND-0079		
TOLERANCES UNLESS OTHERWISE SPECIFIED		chr		appr			Pei-Ming-Zhang	2016-02-16	product family	SFP+
surface	ISO 1302	linear	0.X	±0.25	<b>Amphenol FCi</b>	<b>SFP+ IXI Cage</b> EMI SPRING TYPE	dwg no 10122382	rev D	Product - Customer Drw	
			0.XX	±0.15					sheet 2 of 6	
			0.XXX	±						
angular	0°	±2°	cat. no.		PDS: Rev :D		STATUS:Released		Printed: Aug 18, 2016	

PRODUCT NUMBER	TYPE	TOP CAGE HOLE	PACKAGE
10122382-502LF	CAGE WITH INSULATION TAPE	WITH HOLE	TRAY



SCALE 5:2

10122382-502LF  
(A MYLAR ON THE BOTTOM FOR INSULATION PROTECTION)



Amphenol  
FCi

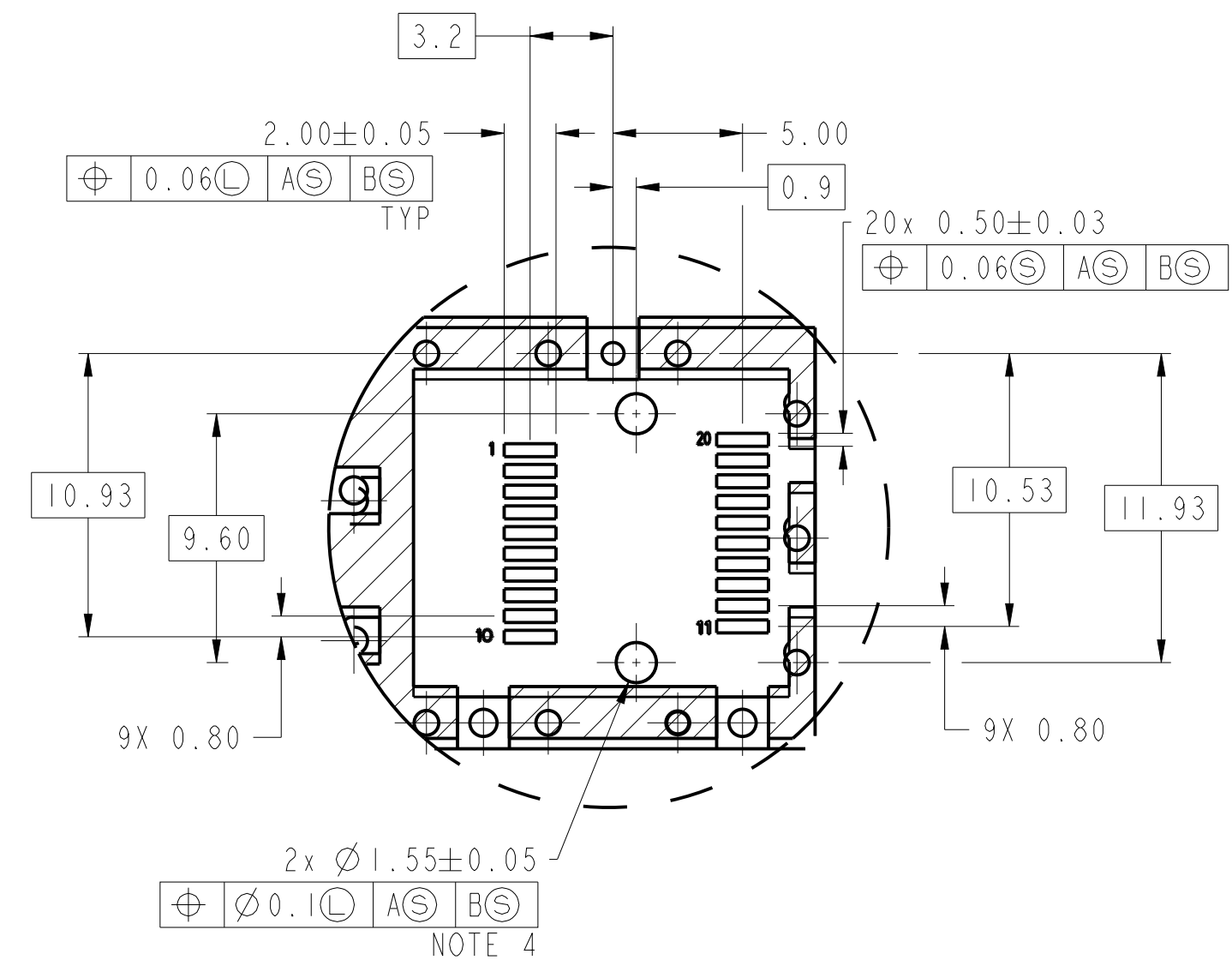
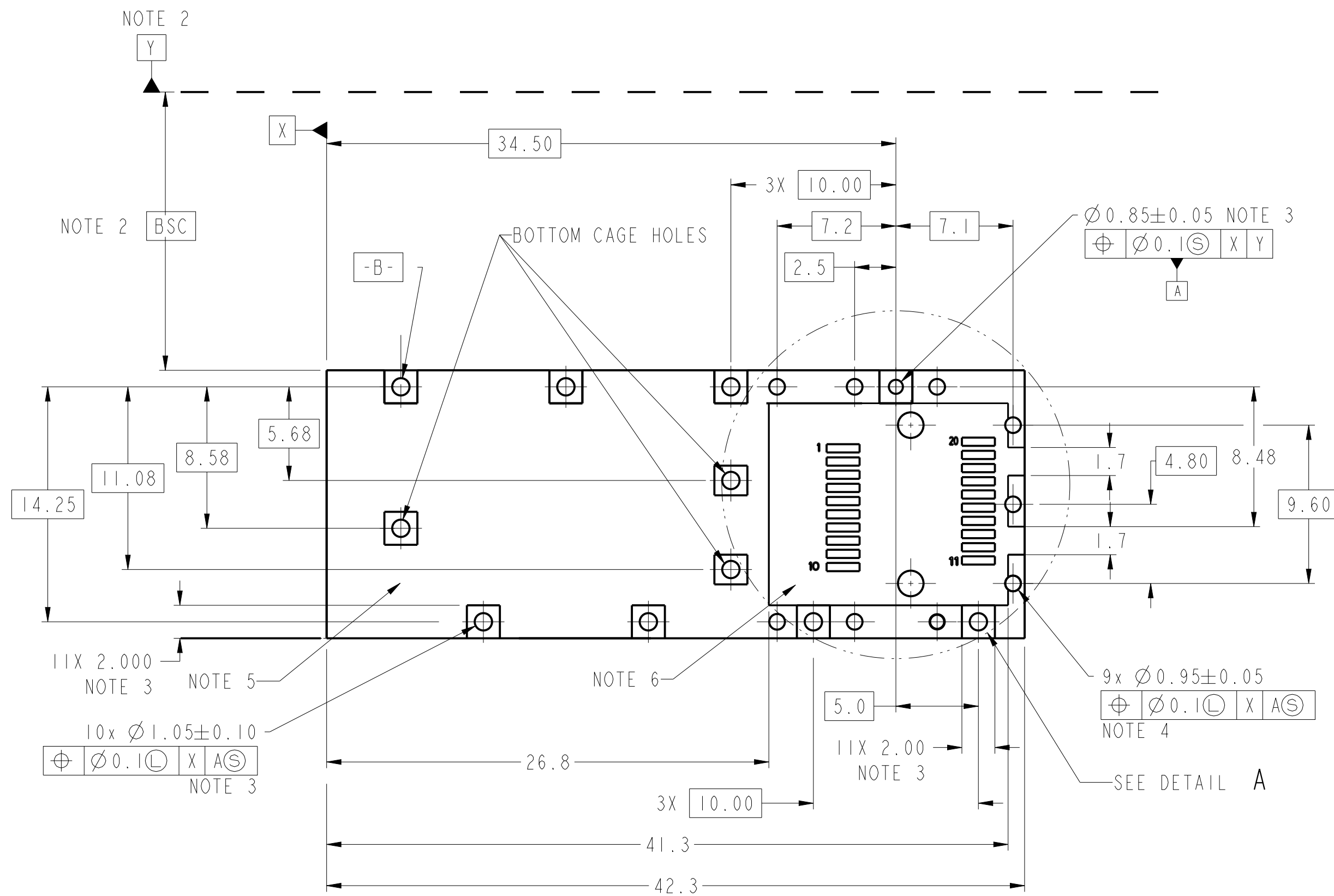
© 2016 AFci

spec ref	RELEASE	dr	LhA	2016-02-16	projection	MM	size	A2	scale	4:1
tolerance std	ASME Y14.5	eng	LhA	2016-02-16	chr		ecn no	MD-0076		
	TOLERANCES UNLESS OTHERWISE SPECIFIED	appr	Pei-Ming.Zhang	2016-02-16	product family	SFP+	rel level	Released		
surface	linear	0.X	±0.25				dwg no	10122382		rev
		0.XX	±0.15							D
		0.XXX	±-							
ISO 1302	angular	0°	±2°							
		Amphenol FCi		TITLE		SFP+ IXI Cage				
						EMI SPRING TYPE				
				cat. no.		Product - Customer Drw		sheet 3 of 6		

PDS: Rev :D

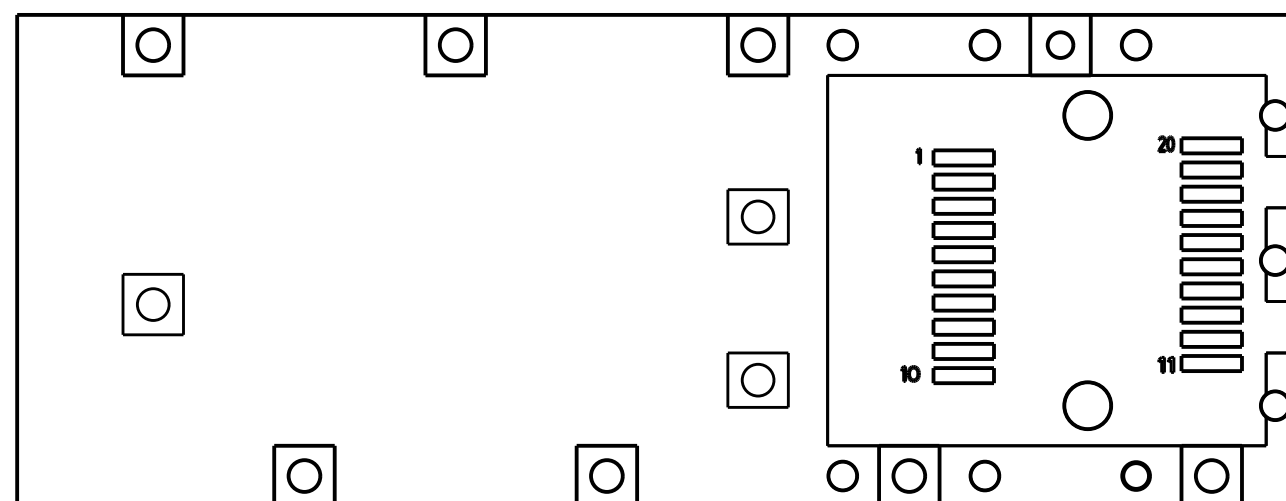
STATUS:Released

Printed: Aug 18, 2016



10122382-101LF/102LF/302LF/502LF  
HOST BOARD MECHANICAL LAYOUT  
SINGLE SIDED APPLICATIONS

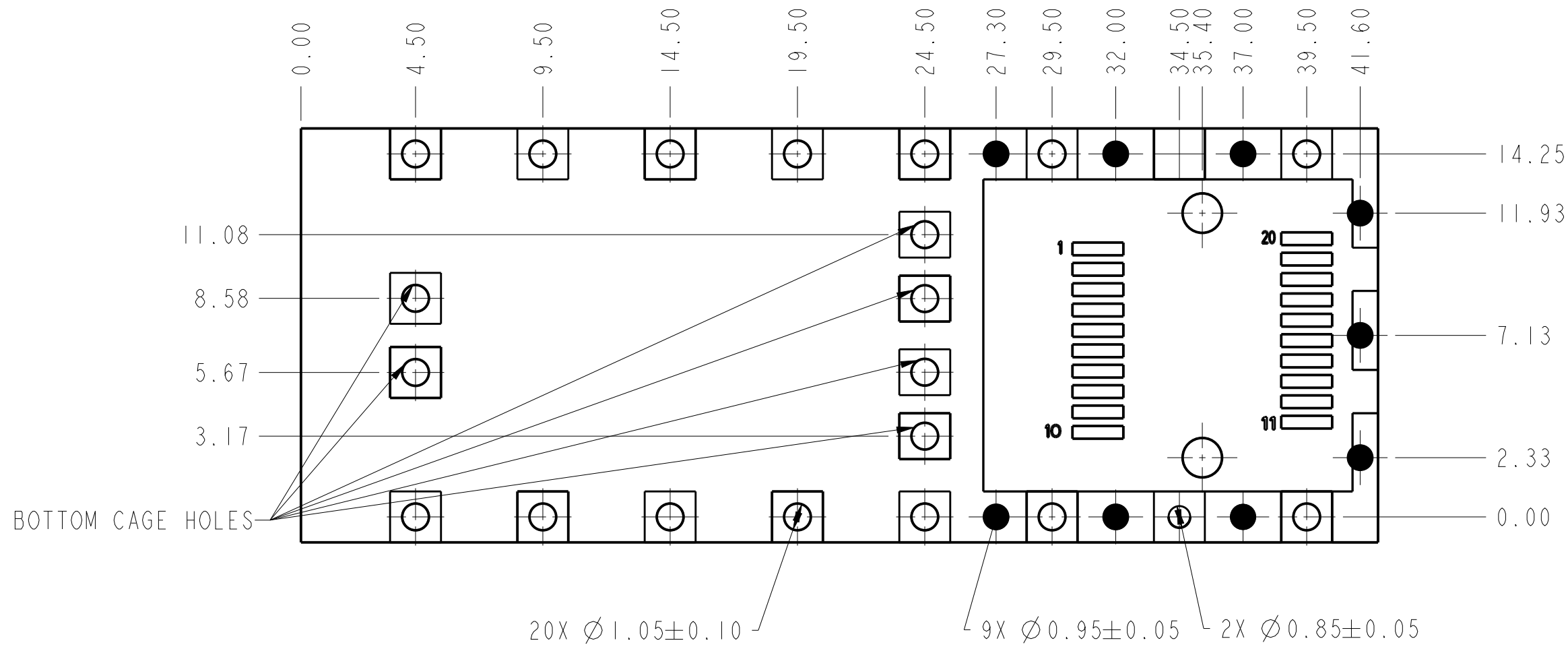
DETAIL A: HOST CONNECTOR LAYOUT  
SCALE 4:1



10122382-202LF  
HOST BOARD MECHANICAL LAYOUT  
SINGLE SIDED APPLICATIONS  
(ONLY WITHOUT BOTTOM CAGE HOLES)

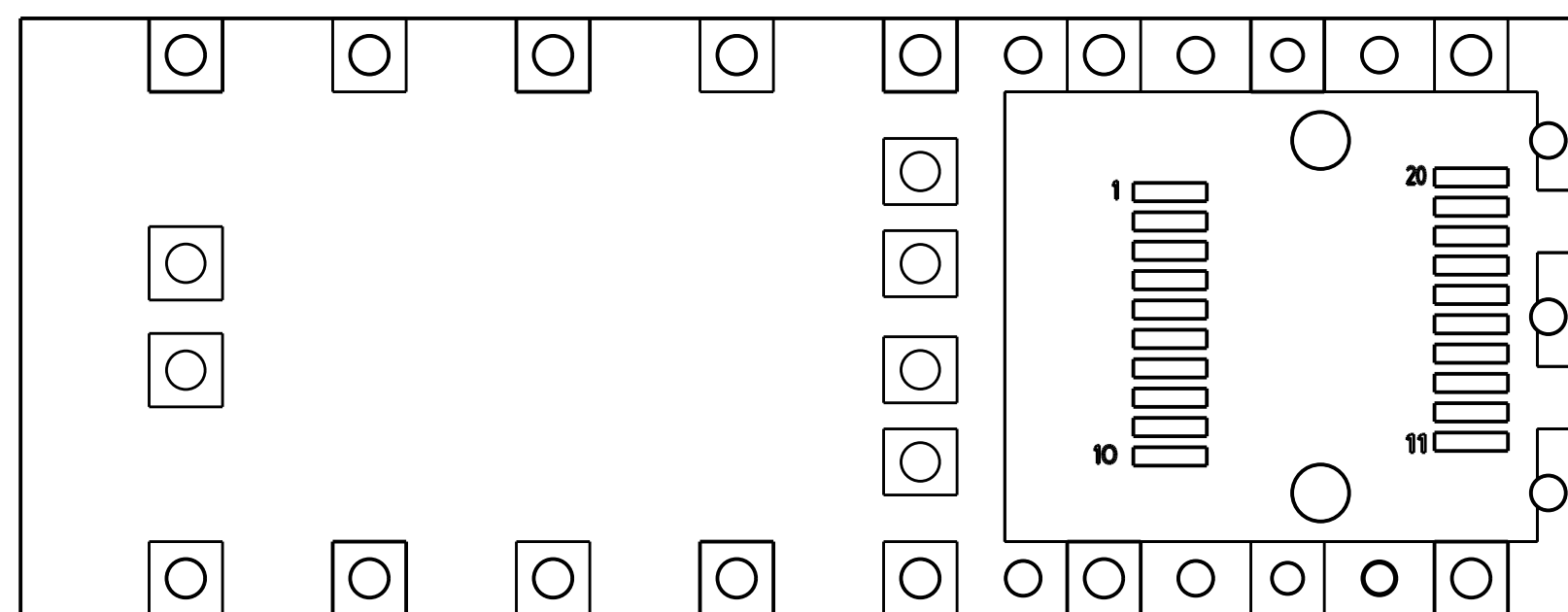
NOTE:  
SEE SHEET 4 FOR  
HOST CONNECTOR LAYOUT

spec ref	RELEASE	dr	LhA	2016-02-16	projection	MM	size	A2	scale	4:1
tolerance std	ASME Y14.5	eng	LhA	2016-02-16	chr		ecn no	MD-0076		
	TOLERANCES UNLESS OTHERWISE SPECIFIED	appr	Pei-Ming-Zhang	2016-02-16	product family		rel level	Released		
surface	linear	Amphenol FCI			SFP+ 1X1 Cage		cat. no.	10122382	rev	D
	angular				EMI SPRING TYPE					
ISO 1302	0.X ±0.25 0.XX ±0.15 0.XXX ± 0° ±2°	Product - Customer Drw			sheet 4 of 6					



NOTE:  
SEE SHEET 4 FOR  
HOST CONNECTOR LAYOUT

10122382-302LF  
HOST BOARD MECHANICAL LAYOUT  
BELLY TO BELLY APPLICATIONS

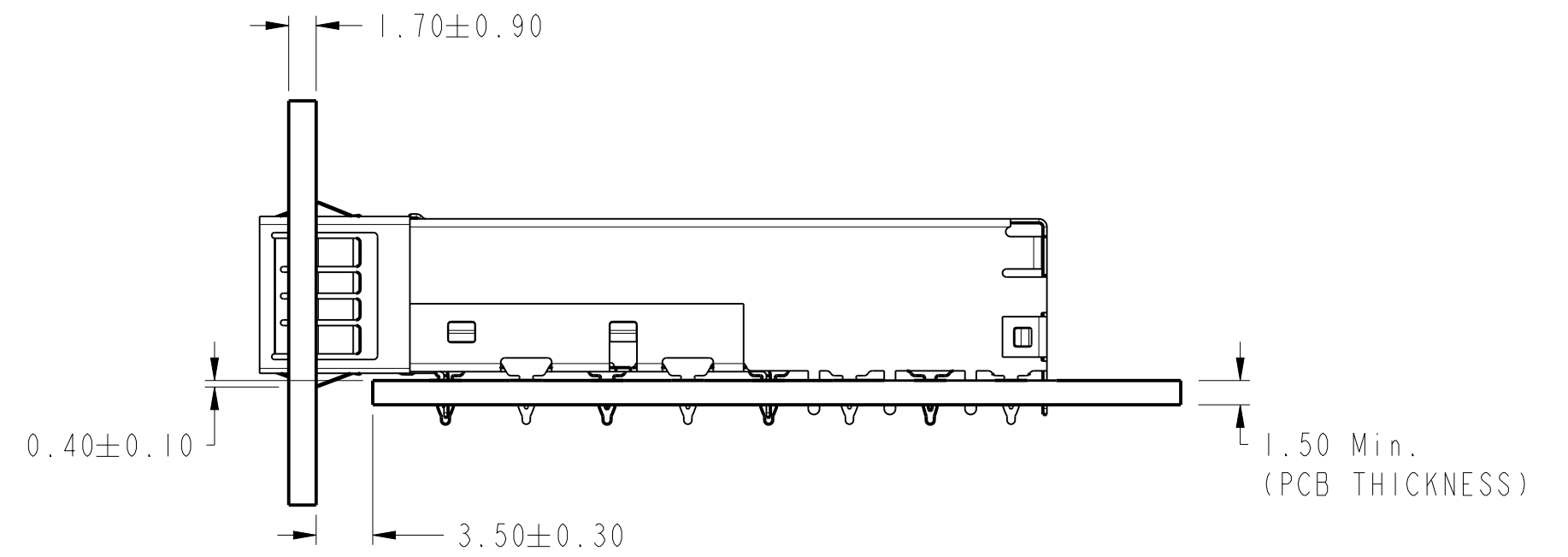
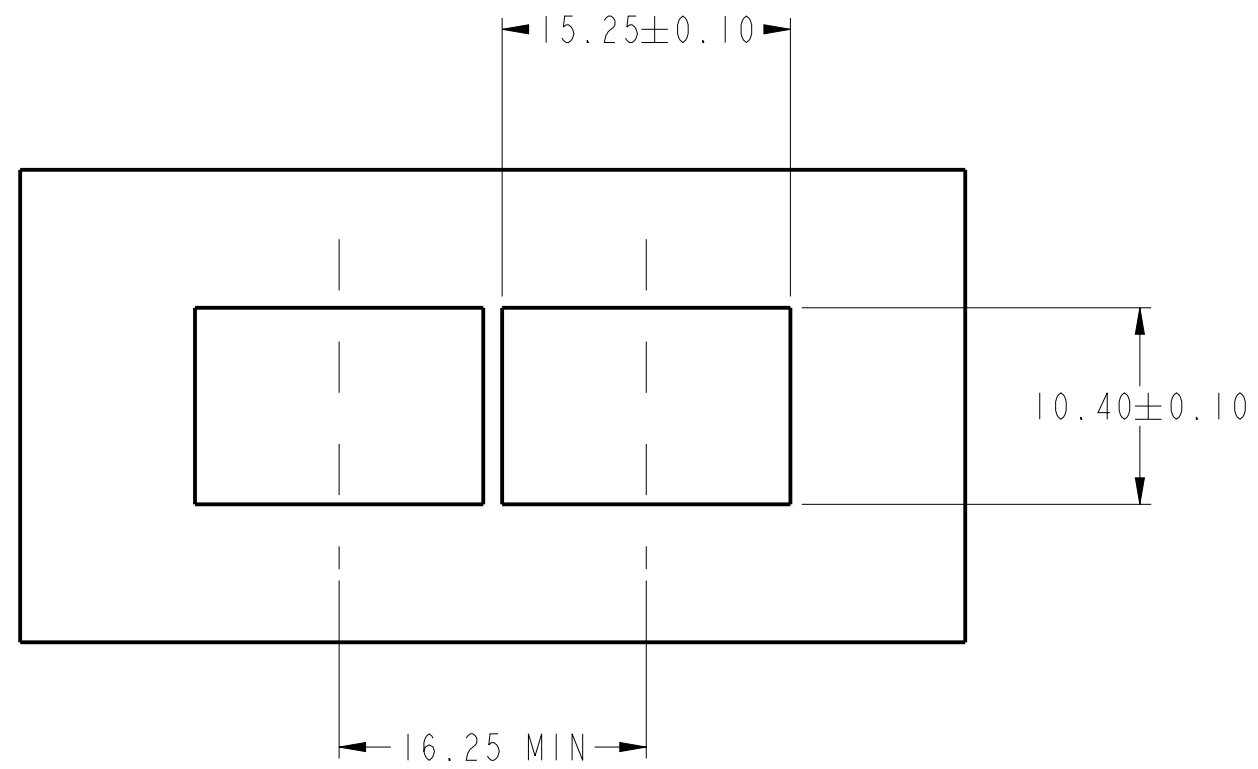


NOTE:  
SEE SHEET 4 FOR  
HOST CONNECTOR LAYOUT

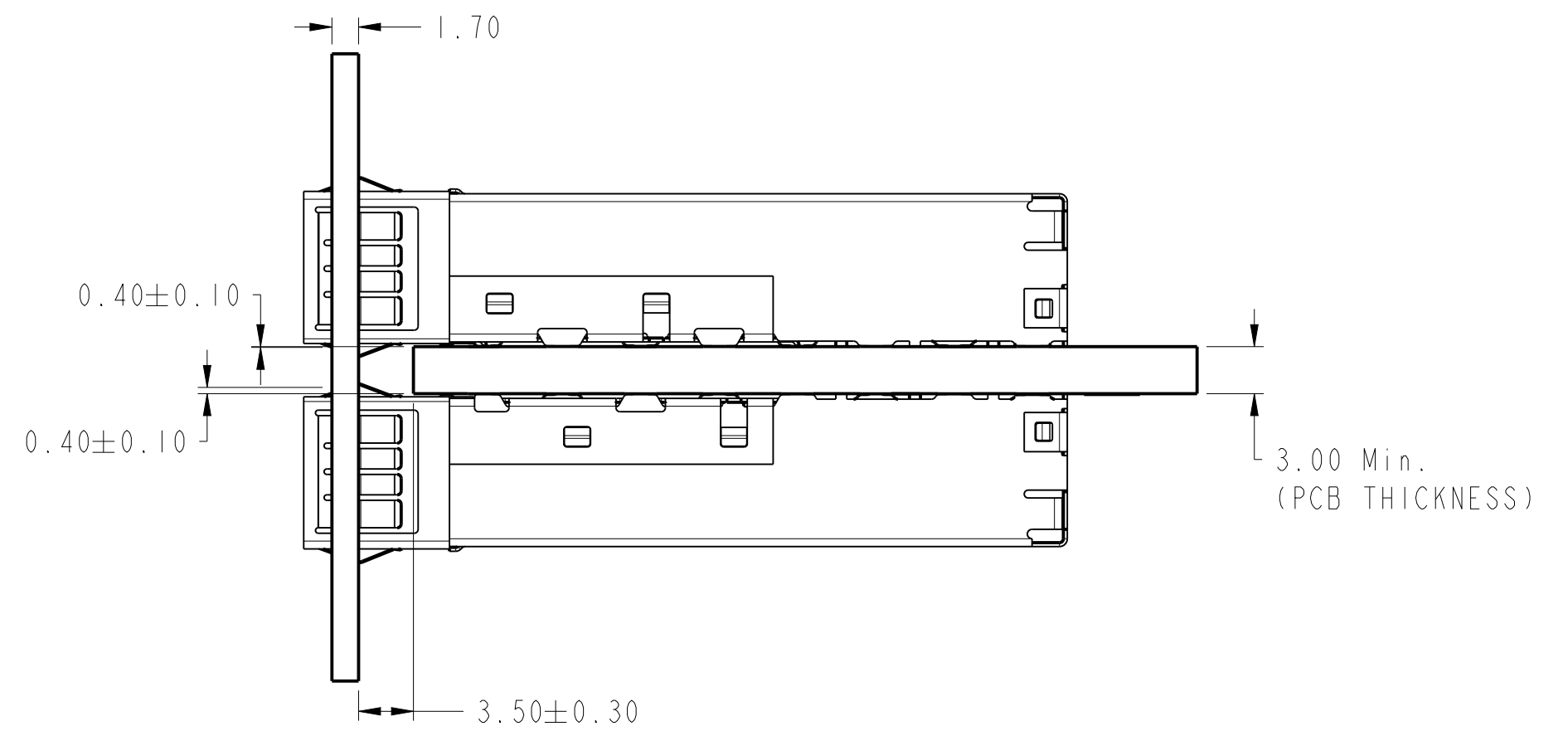
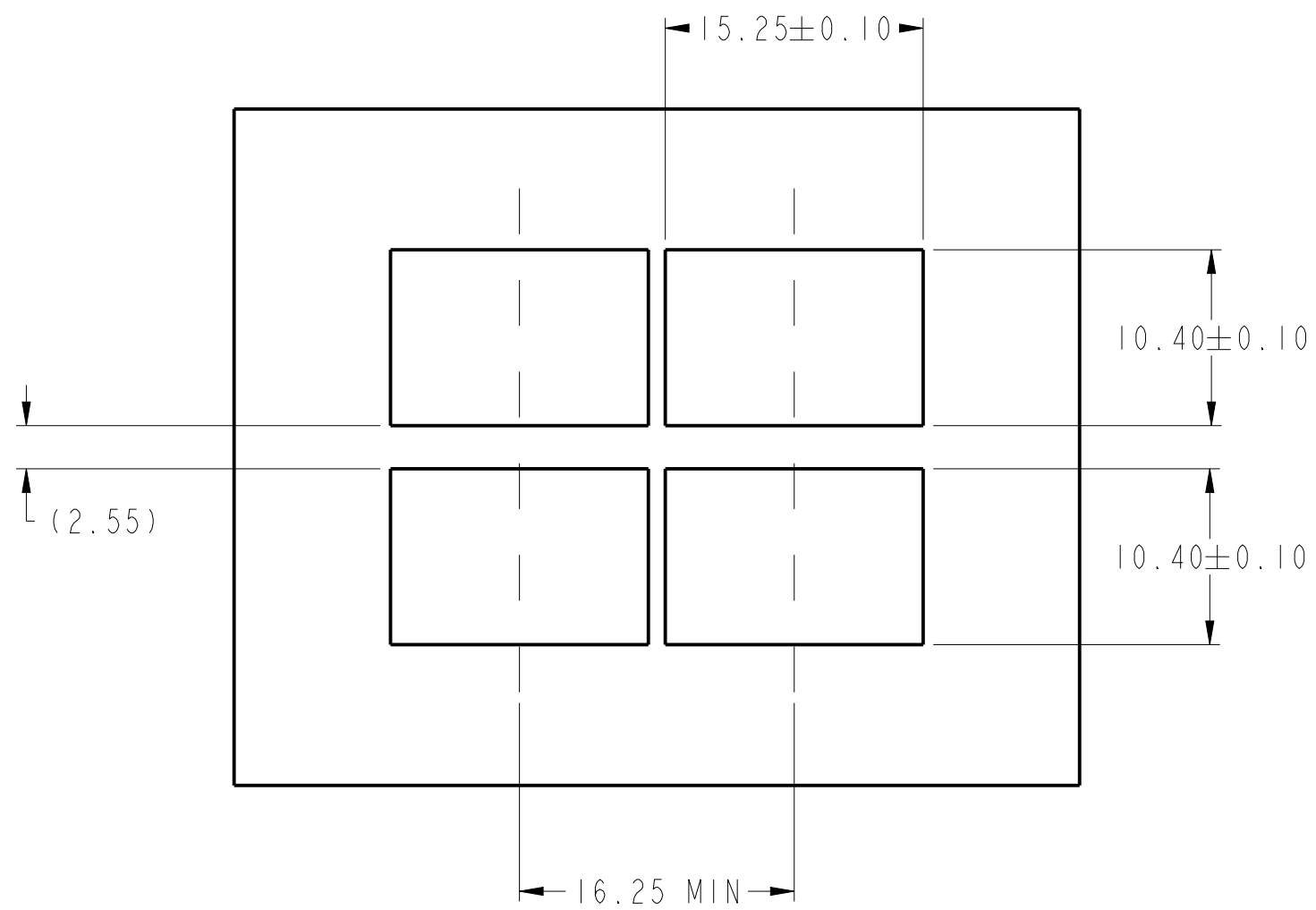
10122382-402LF  
HOST BOARD MECHANICAL LAYOUT  
BELLY TO BELLY APPLICATIONS  
(ONLY WITHOUT BOTTOM CAGE HOLES)

spec ref	RELEASE	dr	LhA	2016-02-16	projection	MM	size	A2	scale	1:1	
tolerance std	ASME Y14.5	eng	LhA	2016-02-16			ecn no	MD-0076			
TOLERANCES UNLESS OTHERWISE SPECIFIED		chr		2016-02-16			rel level	Released			
surface	ISO 1302	appr	Pei-Ming-Zhang	2016-02-16	product family		dwg no	10122382		rev	D
linear	0.X ±0.25 0.XX ±0.15 0.XXX ±	Amphenol FCI		SFP+ IXI Cage		cat. no.		Product - Customer Drw		sheet 5 of 6	
angular	0° ±2°			EMI SPRING TYPE							

BEZEL AND BOARD POSITION DIMENSIONS FOR SINGLE SIDE MOUNTING  
(EMI SPRING FINGER)



10122382-302LF/402LF  
BEZEL AND BOARD POSITION DIMENSIONS FOR BELLY TO BELLY MOUNTING  
(EMI SPRING FINGER)



spec ref	RELEASE	dr	LhA	2016-02-16	projection	MM	size	A2	scale	1:1
tolerance std	ASME Y14.5	eng	LhA	2016-02-16	chr		ecn no	ND-0076		
	TOLERANCES UNLESS OTHERWISE SPECIFIED	appr	Pei-Ming.Zhang	2016-02-16	product family	SFP+	rel level	Released		
surface	linear	0.X	±0.25				cat. no.	10122382	rev	D
		0.XX	±0.15							
		0.XXX	±							
ISO 1302	angular	0°	±2°							