



Chipsmall Limited consists of a professional team with an average of over 10 year of expertise in the distribution of electronic components. Based in Hongkong, we have already established firm and mutual-benefit business relationships with customers from,Europe,America and south Asia,supplying obsolete and hard-to-find components to meet their specific needs.

With the principle of “Quality Parts,Customers Priority,Honest Operation,and Considerate Service”,our business mainly focus on the distribution of electronic components. Line cards we deal with include Microchip,ALPS,ROHM,Xilinx,Pulse,ON,Everlight and Freescale. Main products comprise IC,Modules,Potentiometer,IC Socket,Relay,Connector.Our parts cover such applications as commercial,industrial, and automotives areas.

We are looking forward to setting up business relationship with you and hope to provide you with the best service and solution. Let us make a better world for our industry!



Contact us

Tel: +86-755-8981 8866 Fax: +86-755-8427 6832

Email & Skype: info@chipsmall.com Web: www.chipsmall.com

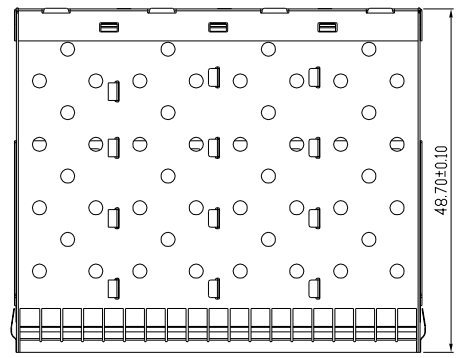
Address: A1208, Overseas Decoration Building, #122 Zhenhua RD., Futian, Shenzhen, China



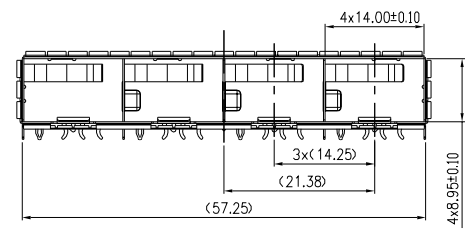
1 2 3 4

Product Number	Compliant Pin	Packaging
10122388-101LF	12 Places	Tray

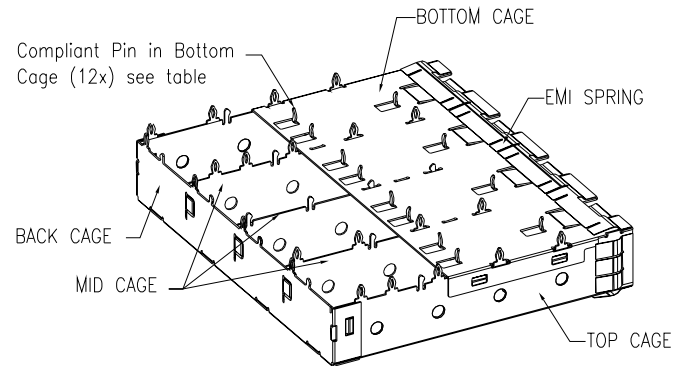
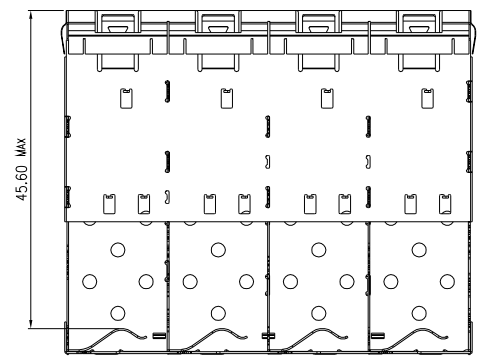
A



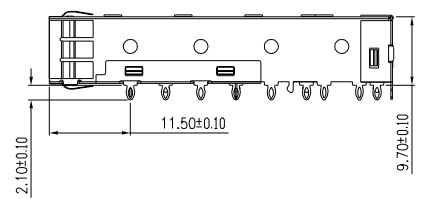
B



C



3D VIEW
SCALE 1:1



NOTES:

- | | | | |
|----------------|------|----------------------------|------------|
| 1, DESCRIPTION | Q'ty | MATERIAL | PLATING |
| TOP CAGE | 1PCS | NICKEL SILVER ALLOY T=0.25 | NO PLATING |
| BOTTOM CAGE | 1PCS | NICKEL SILVER ALLOY T=0.25 | NO PLATING |
| MID CAGE | 3PCS | NICKEL SILVER ALLOY T=0.25 | NO PLATING |
| BACK CAGE | 1PCS | NICKEL SILVER ALLOY T=0.25 | NO PLATING |
| EMI SPRING | N/A | COPPER ALLOY T=0.08 | Ni PLATED |
- 2, PRODUCT SPECIFICATION: GS-12-1165
 3, APPLICATION SPECIFICATION: GS-20-0384
 4, PACKAGE PER GS-14-2344 AND GS-14-920



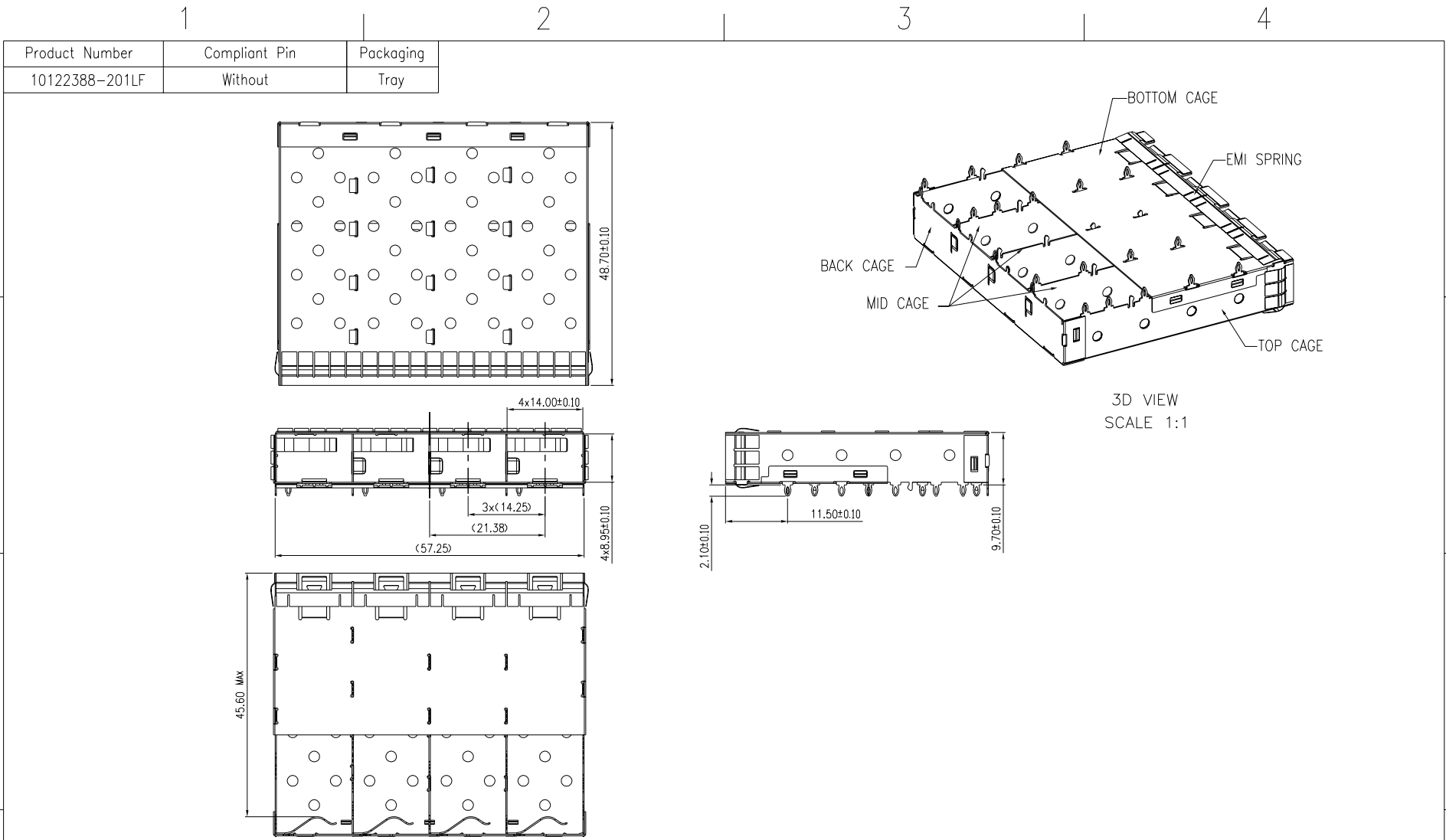
Copyright FCI.

D

spec ref	RELEASE	dr	Art Lin	2014-01-09	projection	size	scale		
tolerance std	TOLERANCES UNLESS OTHERWISE SPECIFIED	eng	Zhen Luo	2014-01-09		A4	1:1		
ISO406		chr	Collins Lu	2014-01-10		ecn no			
ISO1101		appr	JEFFREY QIN	2014-01-10	product family	SFP+	rel level	Released	
surface	linear		title	SFP+ 1X4 CAGE EMI SPRING TYPE PRESS FIT		dwg no	10122388	rev	
ISO1302									0.X
	0.XX								±0.20
	0.XXX	±0.15							
	angular	0°	±0.5°	www.fci.com	cat. no.	-	Product-Customer Drw	sheet 1 of 5	

Proj/E File - REV C - 2009-06-09

1 2 3 4



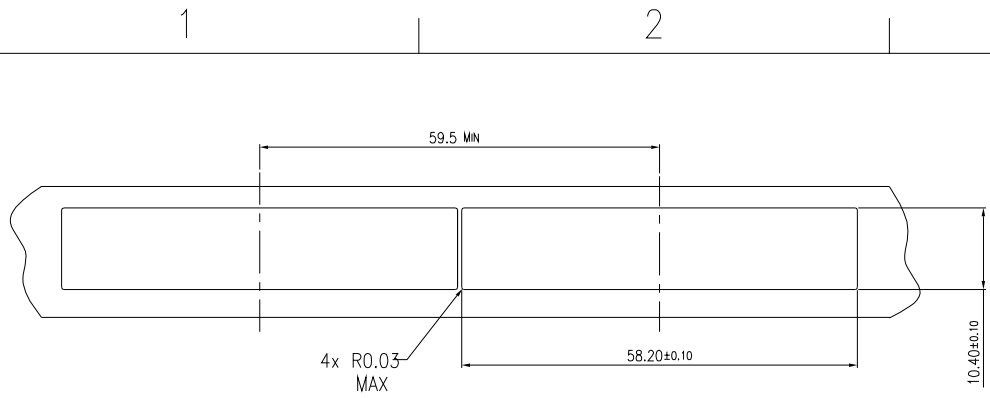
Product Number	Compliant Pin	Packaging
10122388-201LF	Without	Tray

spec ref	RELEASE			dr	Art Lin	2014-01-09	projection	MM	size	scale	
tolerance std	TOLERANCES UNLESS OTHERWISE SPECIFIED			eng	Zhen Luo	2014-01-09			A4	1:1	
ISO406				chr	Collins Lu	2014-01-10	product family	SFP+	ecn no		
ISO1101				apppr		JEFFREY QIN			2014-01-10	rel level	Released
surface	linear	0.X	±0.25	FCI	title	SFP+ 1X4 CAGE EMI SPRING TYPE PRESS FIT		dwg no	10122388		rev
		0.XX	±0.20								
0.XXX	±0.15										
ISO1302	angular	0°	±0.5°	www.fci.com	cat. no.	-	Product-Customer Drw	sheet 2 of 5			

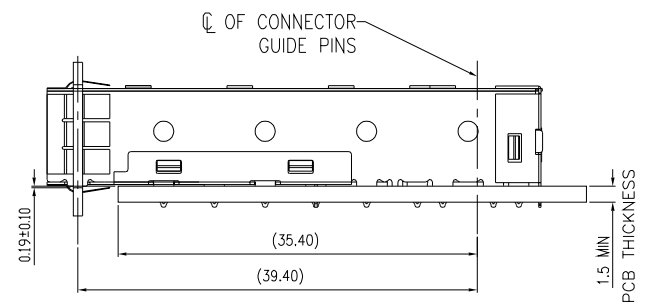
Proj/E File - REV C - 2009-06-09



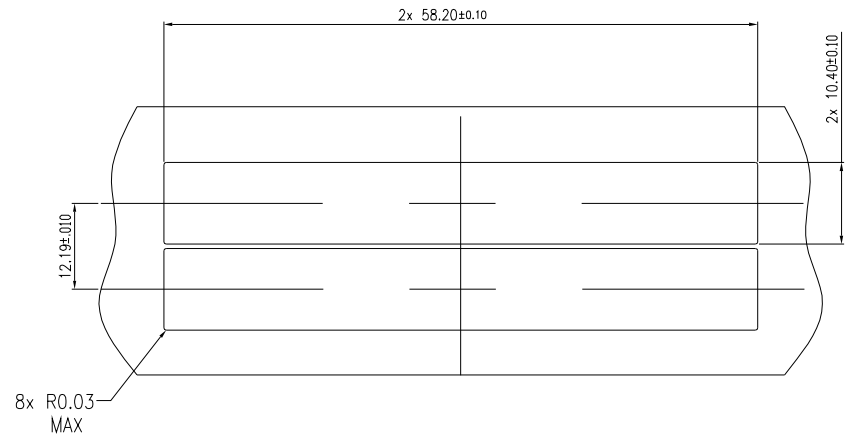
Copyright FCI.



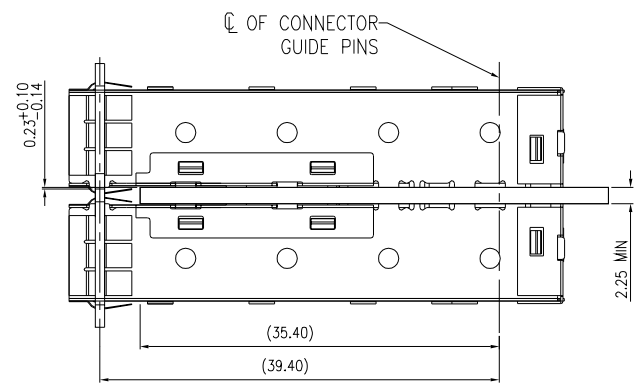
RECOMMENDED BEZEL CUT-OUT SINGLE SIDED APPLICATIONS



MOUNTED ON PC BOARD SHOWN THRU RECOMMENDED BEZEL



RECOMMENDED BEZEL CUT-OUT BELLY TO BELLY APPLICATIONS



MOUNTED BELLY TO BELLY ON PC BOARD SHOWN THRU RECOMMENDED BEZEL

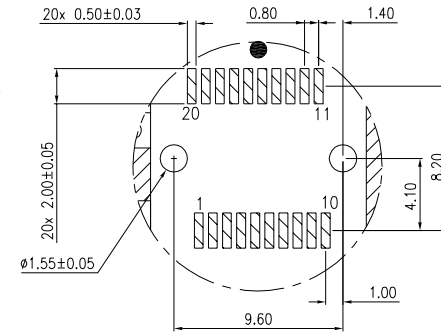
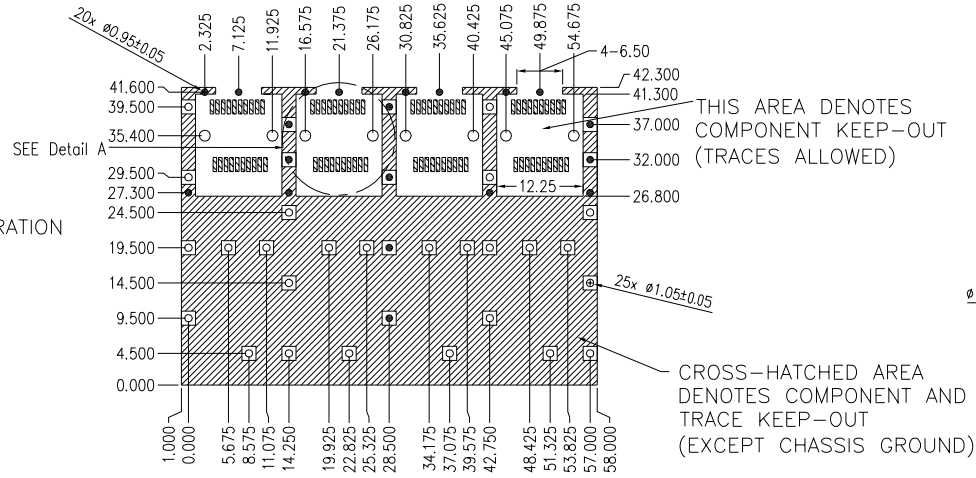


Copyright FCI.

spec ref	RELEASE			dr	Art Lin	2014-01-09	projection 	size A4	scale 1:1
tolerance std	TOLERANCES UNLESS OTHERWISE SPECIFIED			eng	Zhen Luo	2014-01-09			
ISO406				chr	Collins Lu	2014-01-10	product family SFP+	ecn no	
ISO1101				rel level		Released			
surface ISO1302	linear	0.X	±0.25	www.fci.com	title SFP+ 1X4 CAGE EMI SPRING TYPE PRESS FIT	cat. no.	-	Product-Customer Drw	rev C
		0.XX	±0.20						
0.XXX	±0.15								
	angular	0°	±0.5°						

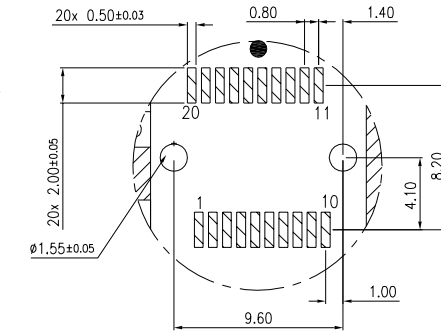
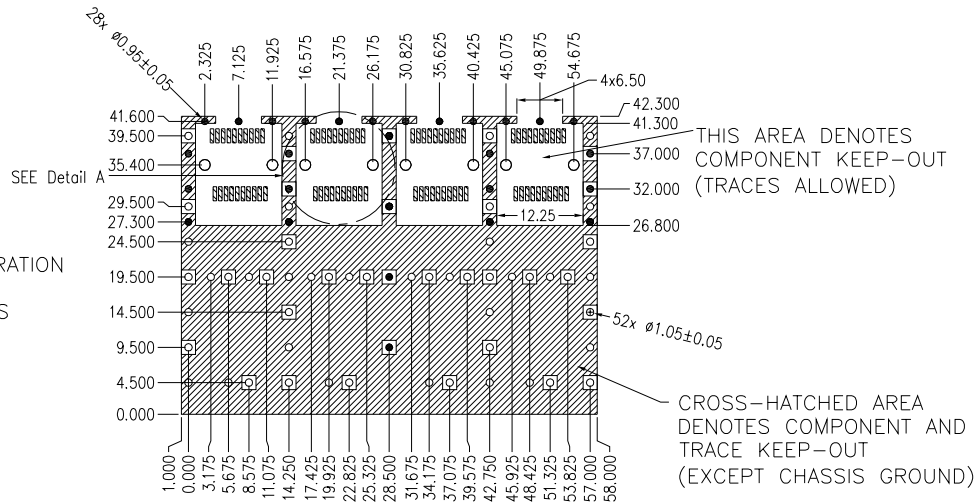
Pro/E File - REV C - 2009-06-09

10122388-101LF
RECOMMENDED PCB CONFIGURATION
WITH KEEP-OUT AREAS
SINGLE SIDED APPLICATIONS



Detail A
SCALE 2.5:1

10122388-101LF
RECOMMENDED PCB CONFIGURATION
WITH KEEP-OUT AREAS
BELLY TO BELLY APPLICATIONS



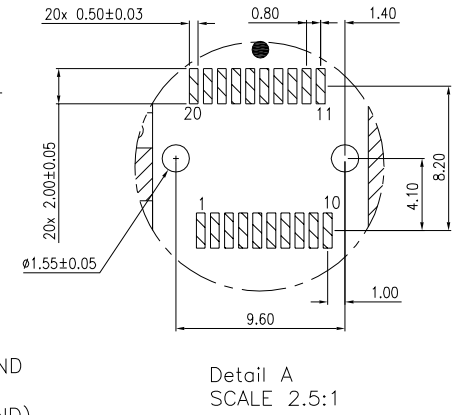
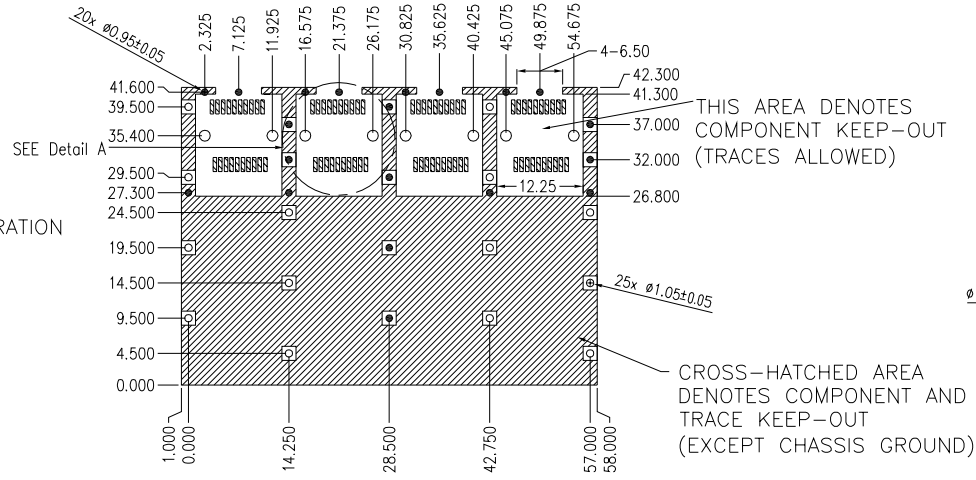
Detail A
SCALE 2.5:1



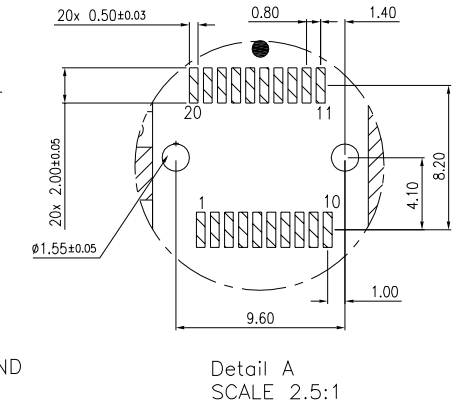
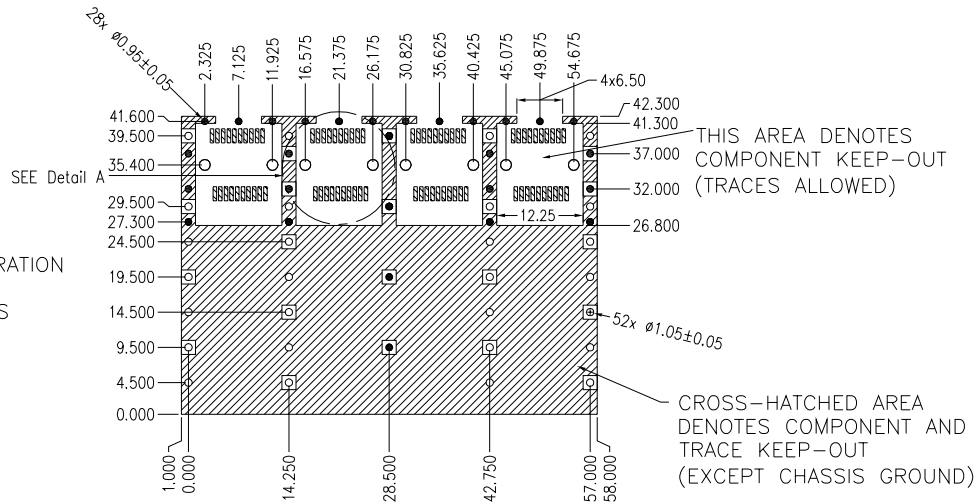
Copyright FCI.

spec ref	RELEASE			dr	Art Lin	2014-01-09	projection	size	scale
tolerance std	TOLERANCES UNLESS OTHERWISE SPECIFIED			eng	Zhen Luo	2014-01-09		A4	1:1
ISO406				chr	Collins Lu	2014-01-10		product family	SFP+
ISO1101	appr	JEFFREY QIN	2014-01-10	rel level		Released			
surface	linear	0.X	±0.25		title	SFP+ 1X4 CAGE	dwg no	10122388	rev
		0.XX	±0.20						
0.XXX	±0.15								
ISO1302	angular	0°	±0.5°	www.fci.com	cat. no.	-	Product-Customer Drw	sheet 4 of 5	

10122388-201LF
RECOMMENDED PCB CONFIGURATION
WITH KEEP-OUT AREAS
SINGLE SIDED APPLICATIONS



10122388-201LF
RECOMMENDED PCB CONFIGURATION
WITH KEEP-OUT AREAS
BELLY TO BELLY APPLICATIONS



Copyright FCI.

spec ref	RELEASE			dr	Art Lin	2014-01-09	projection	size	scale	
tolerance std	TOLERANCES UNLESS OTHERWISE SPECIFIED			eng	Zhen Luo	2014-01-09		A4	1:1	
ISO406				chr	Collins Lu	2014-01-10		ecn no		
ISO1101				appr	JEFFREY QIN	2014-01-10	product family	SFP+	rel level	Released
surface		linear	0.X	±0.25		title SFP+ 1X4 CAGE EMI SPRING TYPE PRESS FIT	dwg no 10122388	rev C		
			0.XX	±0.20						
		0.XXX	±0.15							
ISO1302		angular	0°	±0.5°	www.fci.com	cat. no.	-	Product-Customer Drw	sheet 5 of 5	

Pro/E File - REV C - 2009-06-09