



Chipsmall Limited consists of a professional team with an average of over 10 year of expertise in the distribution of electronic components. Based in Hongkong, we have already established firm and mutual-benefit business relationships with customers from,Europe,America and south Asia,supplying obsolete and hard-to-find components to meet their specific needs.

With the principle of “Quality Parts,Customers Priority,Honest Operation,and Considerate Service”,our business mainly focus on the distribution of electronic components. Line cards we deal with include Microchip,ALPS,ROHM,Xilinx,Pulse,ON,Everlight and Freescale. Main products comprise IC,Modules,Potentiometer,IC Socket,Relay,Connector.Our parts cover such applications as commercial,industrial, and automotives areas.

We are looking forward to setting up business relationship with you and hope to provide you with the best service and solution. Let us make a better world for our industry!



Contact us

Tel: +86-755-8981 8866 Fax: +86-755-8427 6832

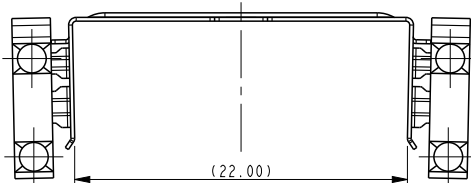
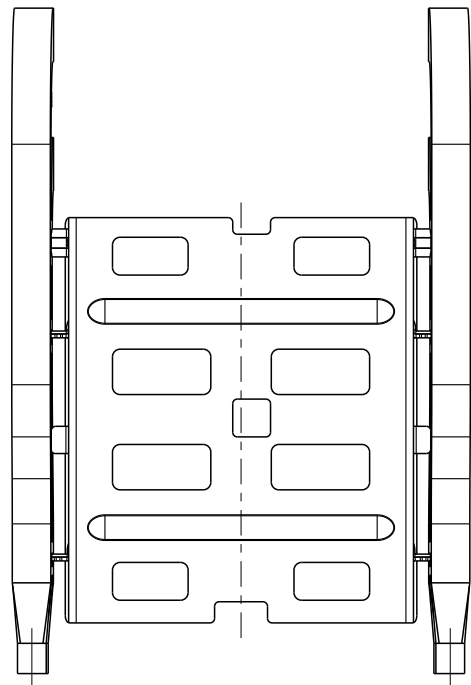
Email & Skype: info@chipsmall.com Web: www.chipsmall.com

Address: A1208, Overseas Decoration Building, #122 Zhenhua RD., Futian, Shenzhen, China

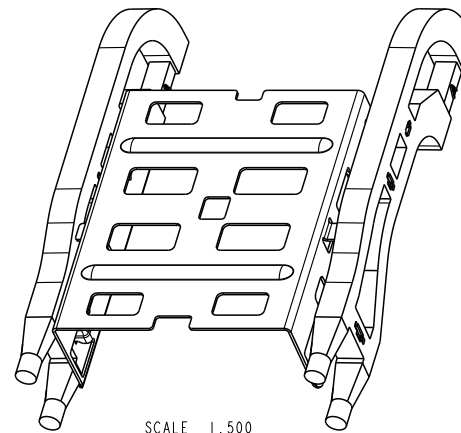


PART NUMBER

10122757-001LF



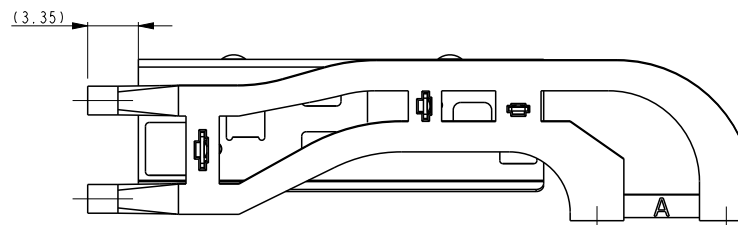
SCALE 2.000



SCALE 1.500

NOTES:

1. MATERIALS:
LIGHT PIPE MOUNTING CLIP: STAINLESS STEEL
LIGHT PIPE: POLYCARBONATE
2. PRODUCT SPECIFICATION: GS-12-65X
3. PRODUCT PACKING SPECIFICATION: GS-14-XXXX
LIGHT PIPE ASSEMBLIES PACKED BY TRAY.
4. APPLICATION SPECIFICATION: GS-20-032X
5. THIS CONNECTOR IS DESIGNED TO MEET THE REQUIREMENTS OF
INDUSTRY SPECIFICATION SFF-8644.
6. LIGHT PIPE ASSEMBLY TO BE APPLIED AFTER CONNECTOR ASSEMBLY TO PCB.



Copyright FCI.

spec ref		dr Liu Jenson		2013/03/13		projection 	MM ←→	size	A4	scale	1.000
tolerance std		eng Zhao Peter		2013/03/14				ecn no	-		
ISO 406 ISO 1101		chr -		-				rel level	Released		
surface ✓		appr Collins Lu		2013/03/14		product family		rev			
ISO 1302		www.fci.com		title		1X2 SIDE LIGHT PIPE SUB-ASSY WITH CLIP		dwg no		10122757C	
linear		0.X ±X		MINI SAS HD		cat. no.		Product - Customer Drw		sheet 1 of 1	
angular		0.0X ±0.20								A	
		0.XXX ±X									
		0° ±2°									