



Chipsmall Limited consists of a professional team with an average of over 10 year of expertise in the distribution of electronic components. Based in Hongkong, we have already established firm and mutual-benefit business relationships with customers from,Europe,America and south Asia,supplying obsolete and hard-to-find components to meet their specific needs.

With the principle of "Quality Parts,Customers Priority,Honest Operation,and Considerate Service",our business mainly focus on the distribution of electronic components. Line cards we deal with include Microchip,ALPS,ROHM,Xilinx,Pulse,ON,Everlight and Freescale. Main products comprise IC,Modules,Potentiometer,IC Socket,Relay,Connector.Our parts cover such applications as commercial,industrial, and automotives areas.

We are looking forward to setting up business relationship with you and hope to provide you with the best service and solution. Let us make a better world for our industry!



Contact us

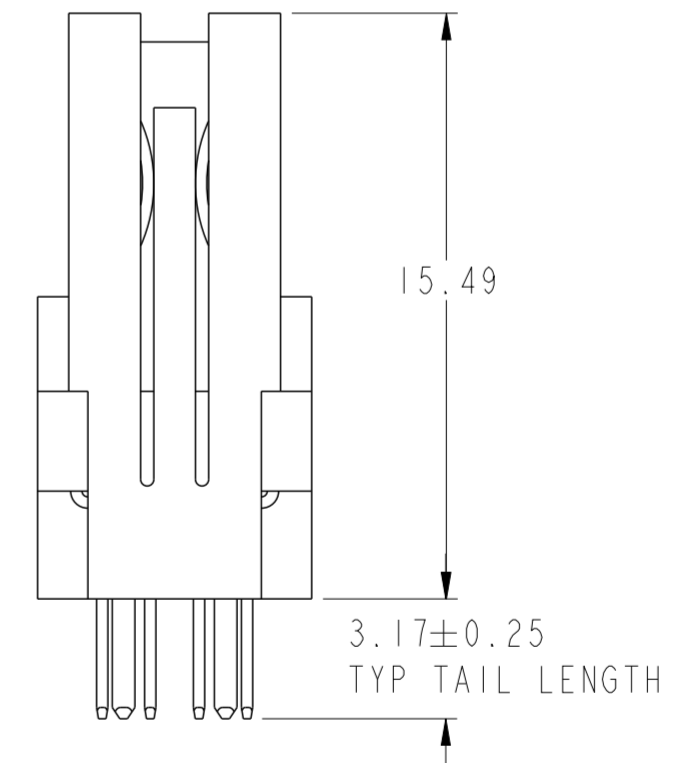
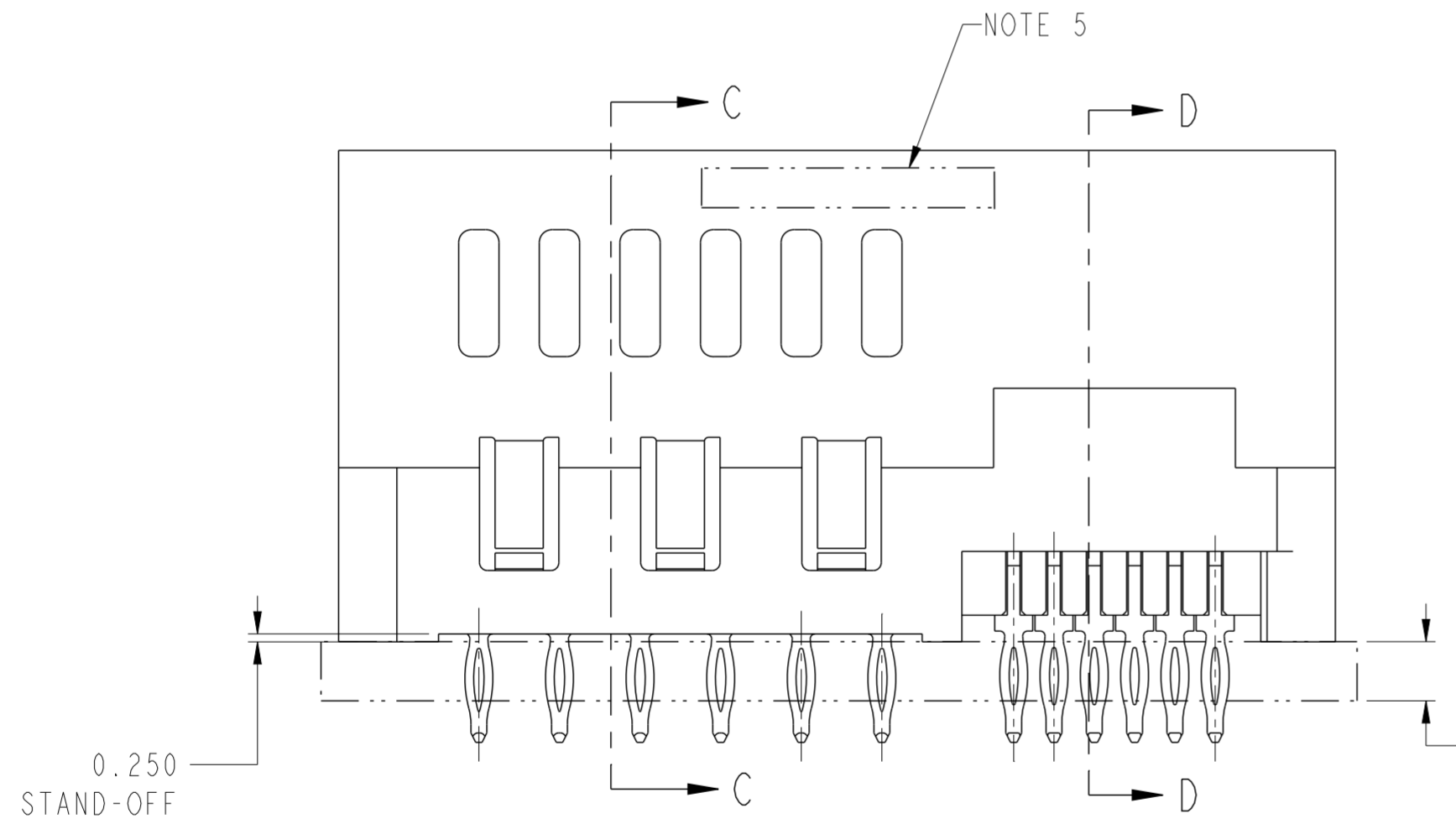
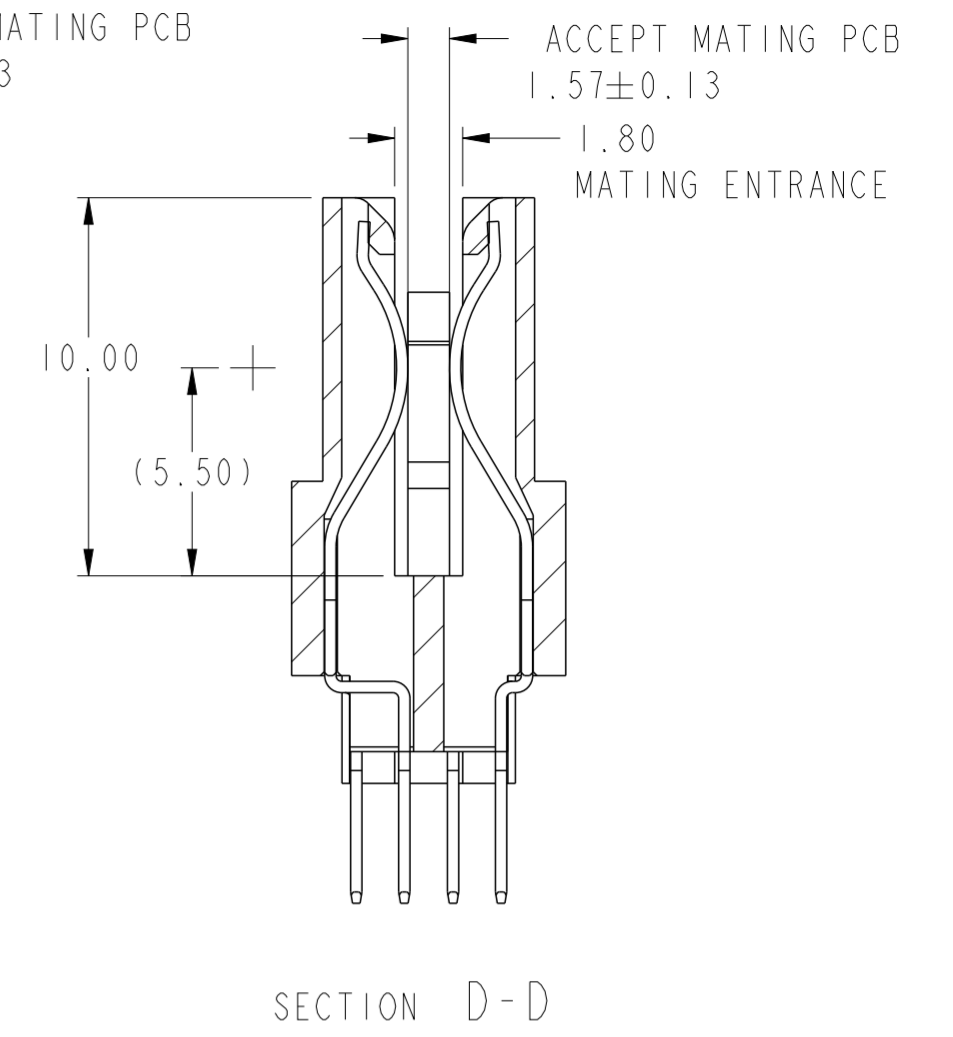
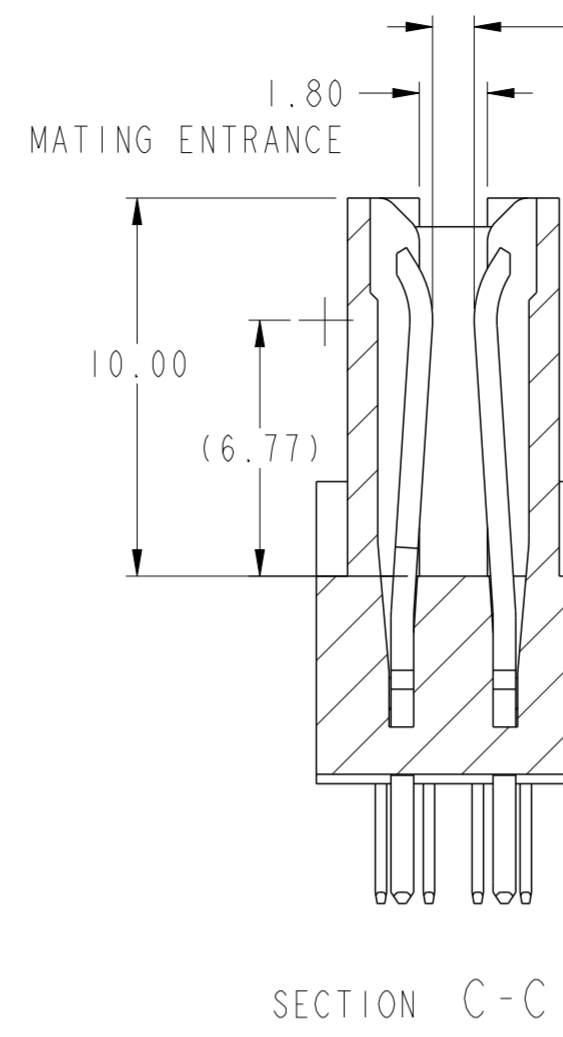
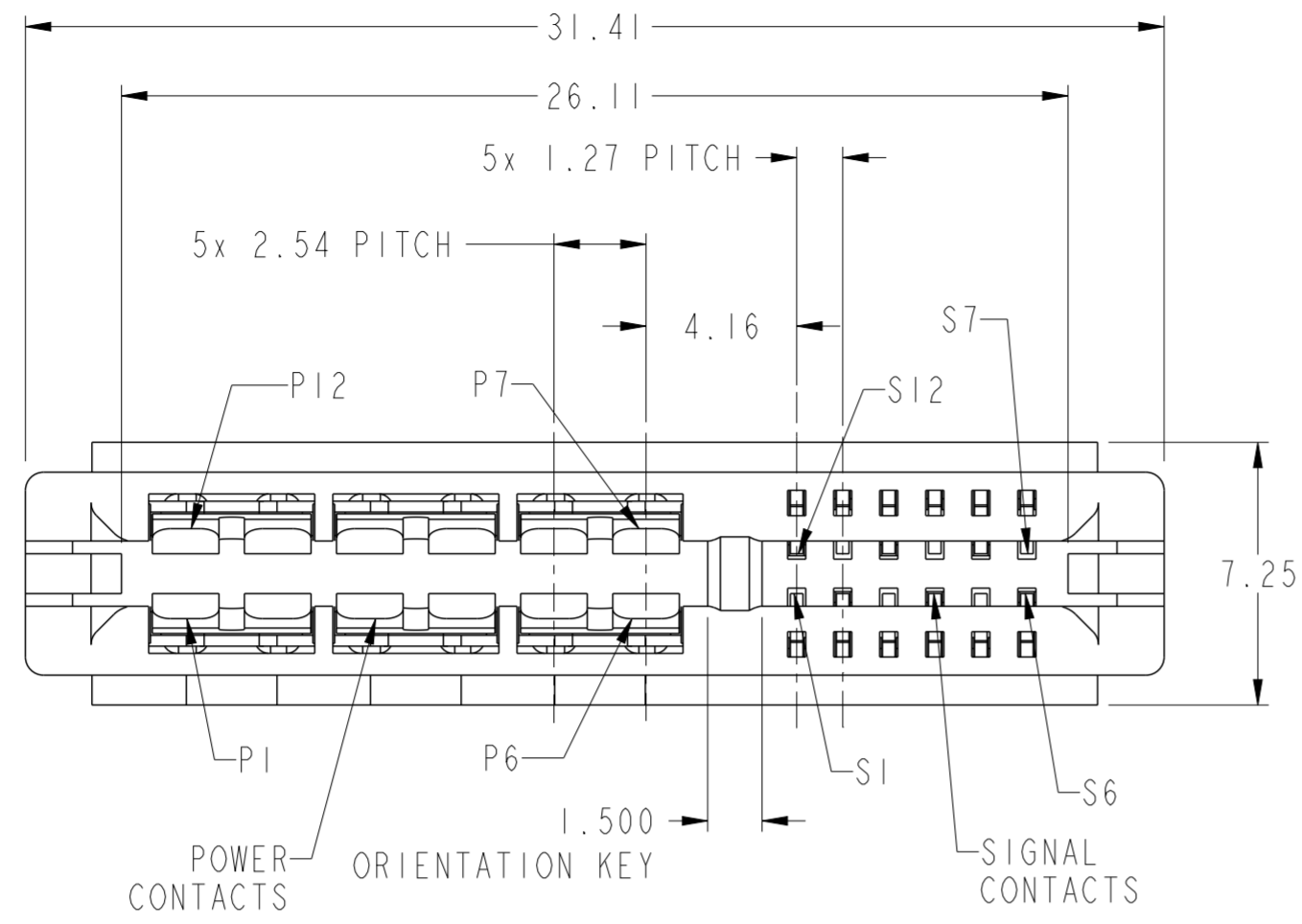
Tel: +86-755-8981 8866 Fax: +86-755-8427 6832

Email & Skype: info@chipsmall.com Web: www.chipsmall.com

Address: A1208, Overseas Decoration Building, #122 Zhenhua RD., Futian, Shenzhen, China



PART NUMBER 10122927-001LF



RECOMMENDED BOARD THICKNESS
1.57 MIN (PRESS-FIT)

spec ref	-	dr	Jackie Huang	2014/06/16	projection	MM	size	A2	scale	5:1
tolerance std	ISO 406 ISO 1101	eng	Sunny2 Liu	2016/04/12			ecn no	ELX-DG-22934-1		
TOLERANCES UNLESS OTHERWISE SPECIFIED		chr	Terris Liu	2016/05/20			rel level	Released		
surface	ASME Y14.5	appr	Pai-Ming Zheng	2016/05/24	product family	CARD EDGE	rel level	Released		
linear	0.X ±0.5 0.XX ±0.25 0.XXX ±0.10	Amphenol FCI		title	VERT RECP (12P 12S) HIGH POWER CARD EDGE		dwg no	10122927		
angular	0° ±2°	cat. no.		-		Product - Customer Drw	sheet 1 of 3	rev B		

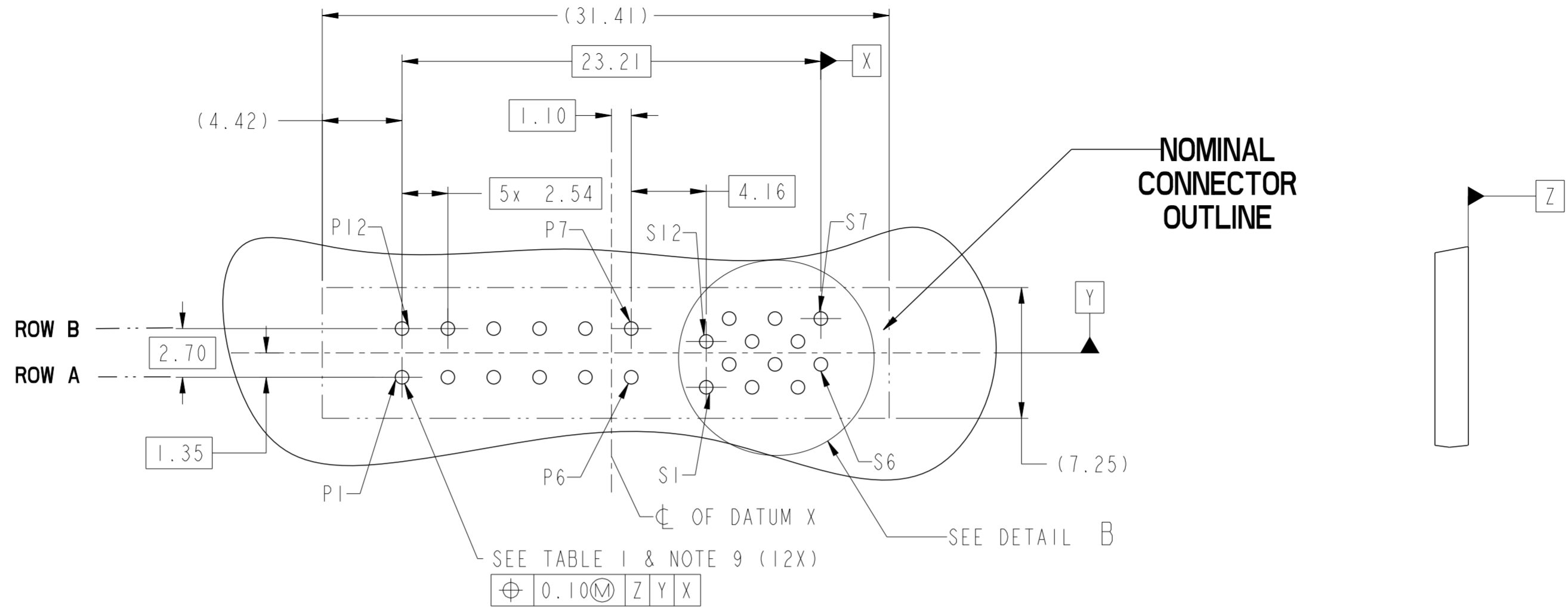
PDS: Rev :B

STATUS:Released

Printed: May 24, 2016

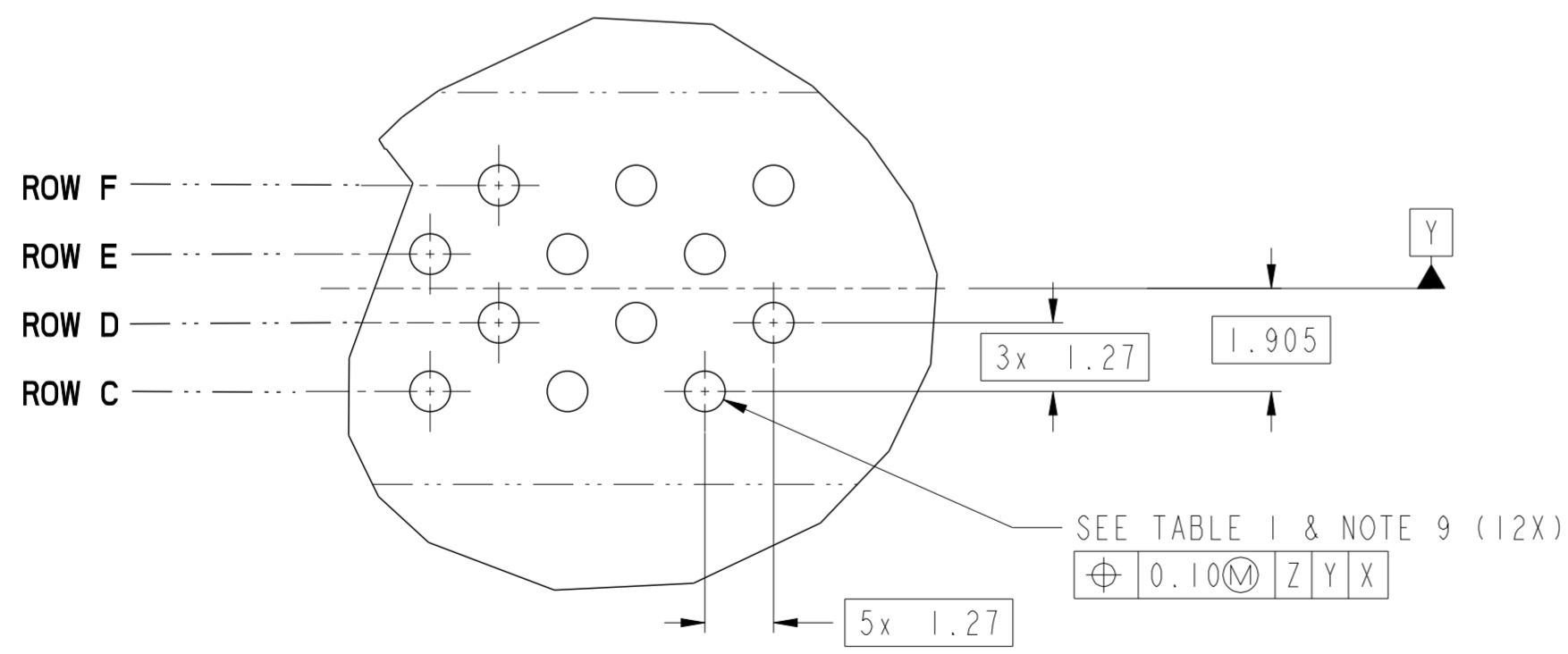
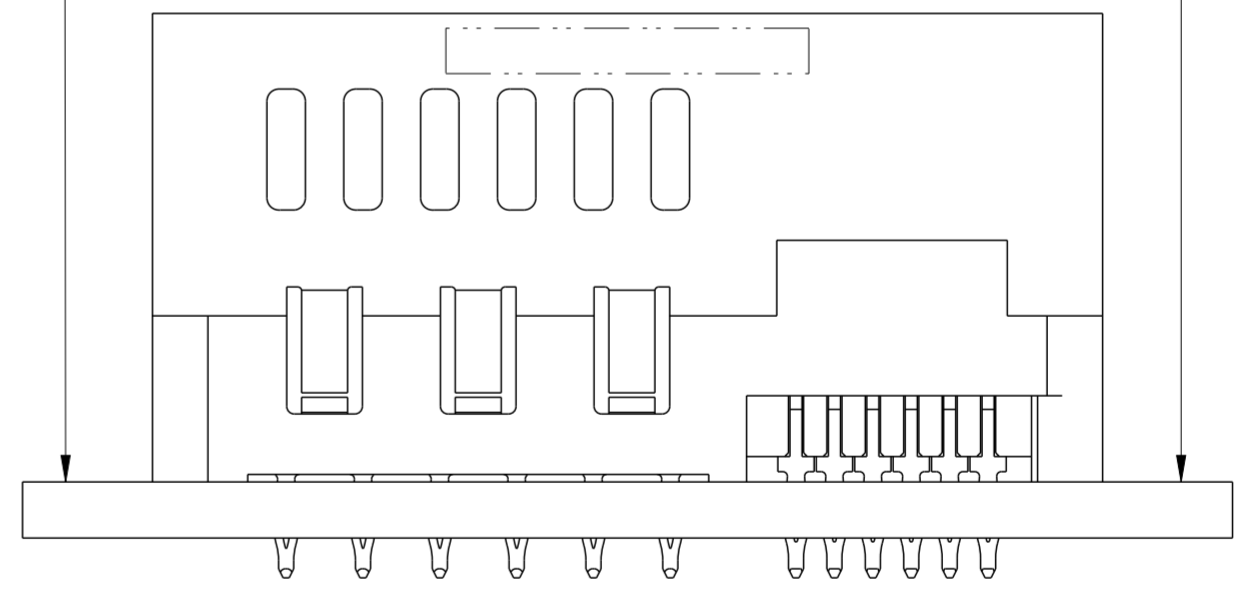
Amphenol FCI

© 2016 AFCI



SEE TABLE 1 & NOTE 9 (12X)
 $\oplus 0.10 \text{ (M)} \text{ Z Y X}$

**RECOMMENDED PCB LAYOUT
VIEWED FROM CONNECTOR SIDE**



DETAIL B
SCALE 8:1

SEE TABLE 1 & NOTE 9 (12X)
 $\oplus 0.10 \text{ (M)} \text{ Z Y X}$

spec ref	-	dr	Jackie Huang	2014/06/16	projection	MM	size	A2	scale	2:1	
tolerance std	ISO 406 ISO 1101	eng	Sunny2 Liu	2016/04/12			ecn no	ELX-DG-22934-1	rel level	Released	
TOLERANCES UNLESS OTHERWISE SPECIFIED		chr	Terris Liu	2016/05/20							product family
surface	ASME Y14.5	linear	0.X	±0.5	0.XX	±0.25	0.XXX	±0.10	angular	0°	±2°
Amphenol FCI		VERT RECP (12P 12S)		HIGH POWER CARD EDGE		cat. no.	-	Product - Customer Drw	sheet 2 of 3		

PDS: Rev :B

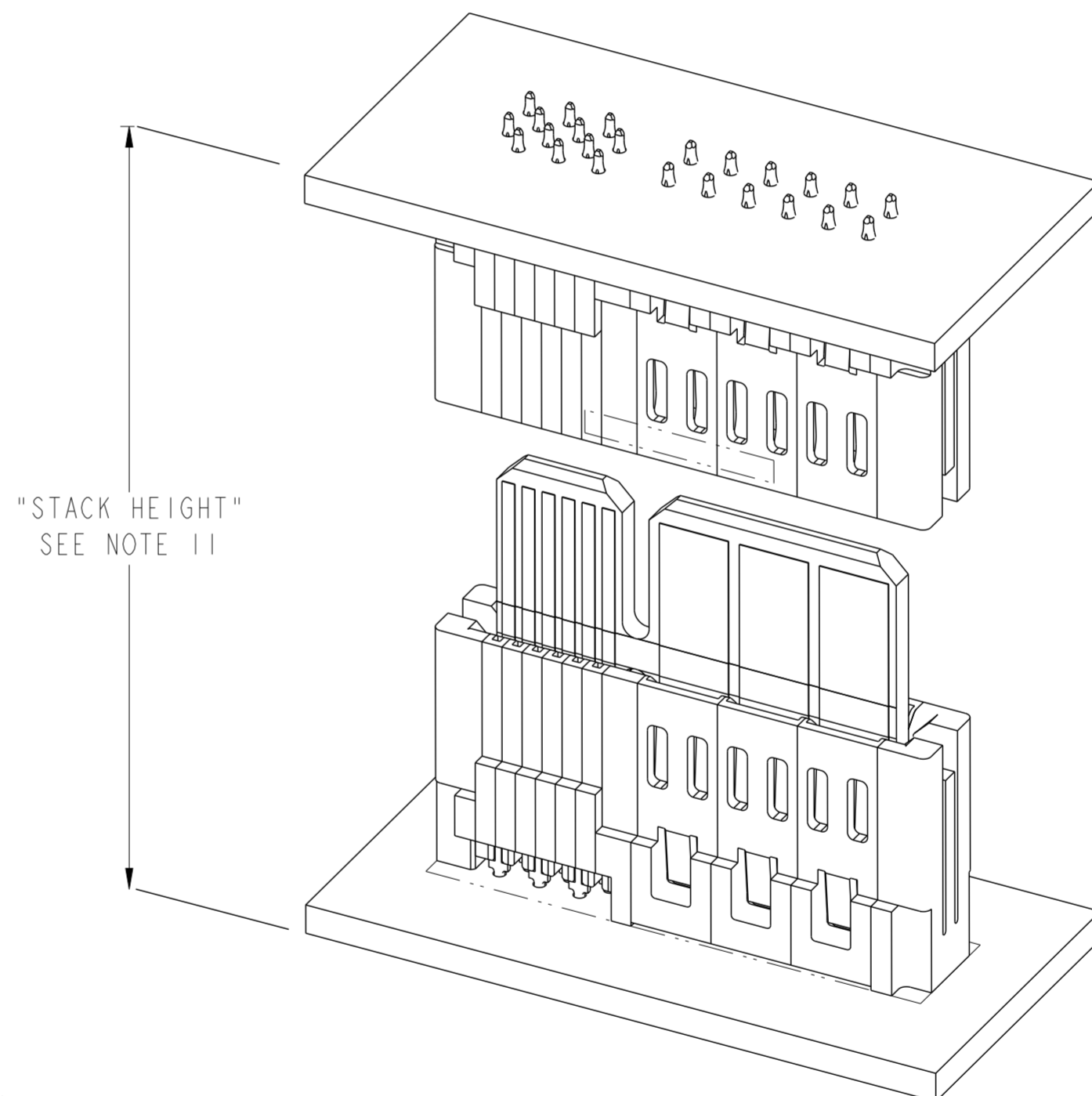
STATUS:Released

Printed: May 24, 2016

Amphenol FCI

© 2016 APCI

CONTACT TYPE	TOP LAYER DESCRIPTION	TABLE 1 (HPCE / PRESS-FIT TAILS) PLATED THROUGH-HOLE REQUIREMENTS				
		DRILLED HOLE DIAMETER	COPPER THICKNESS	TIN-LEAD THICKNESS	TIN THICKNESS	FINISHED HOLE DIAMETER
POWER & SIGNAL	TIN-LEAD	0.81-0.86 (0.85 DRILL)	0.025 - 0.050	0.005 - 0.015	--	0.65 - 0.80
	IMMERSION TIN	0.81-0.86 (0.85 DRILL)	0.025 - 0.050	--	0.9 - 1.5um	0.70 - 0.80
	COPPER (SEE NOTE 8)	0.81-0.86 (0.85 DRILL)	0.025 - 0.050	--	--	0.70 - 0.80



NOTES:

- CONNECTOR MATERIALS:
HOUSING: HIGH TEMPERATURE THERMAL PLASTIC, BLACK
UL 94V-0 COMPLIANT
CONTACTS: HIGH PERFORMANCE COPPER ALLOY.
- CONTACT FINISH REF. GS-12-604 SECTION 5.2.
- PRODUCT SPECIFICATION: GS-12-604.
- APPLICATION SPECIFICATION: GS-20-128.
- PRODUCT MARKING ON HOUSING IN AREA SHOWN MEETS AFCI SPECIFICATION: GS-24-007.
- PACKAGING MEETS FCI SPECIFICATION GS-14-937.
- HOUSING COMPONENT WILL WITHSTAND EXPOSURE TO 260°C PEAK TEMPERATURE FOR 60 SECONDS IN A CONVECTION, INFRA-RED, OR VAPOR PHASE REFLOW OVEN.
- COPPER PLATING THICKNESS IN CENTER OF VIA-HOLE CAN BE NO MORE THAN 0.003 LESS THAN OTHER AREAS.
- ALL HOLE SIZES ARE FINISHED HOLE SIZES.
- INTENDED USE: TWO ASSEMBLIES (P/N 10122776) MEZZANINE STACKED USING PCB TO CONTROL STACK HEIGHT.
DIM "L" + 10.98mm = FINAL MEZZANINE STACK HEIGHT.
DIM "L" RANGES FROM 21.02-31.02 mm IN 1 mm INCREMENTS.
- SEE DRAWING 10123459 FOR MATING PCB DETAIL.
- A SYMBOL \triangle WILL BE NEXT TO ANY DIMENSION, VIEW, OR NOTE WHICH HAS BEEN MODIFIED WITH THE CURRENT DRAWING REVISION.

Amphenol FCI

© 2016 AFCI

spec ref	-	dr	Jackie Huang	2014/06/16	projection	MM	size	A2	scale	1:1
tolerance std	ISO 406 ISO 1101	eng	Sunny2 Liu	2016/04/12			ecn no	ELX-DG-22934-1		
TOLERANCES UNLESS OTHERWISE SPECIFIED		chr	Terris Liu	2016/05/20			rel level	Released		
surface	linear	appr	Pei-Ming Zheng	2016/05/24	product family	-	cat. no.	10122927		
ASME Y14.5	angular			title	VERT RECP (12P 12S) HIGH POWER CARD EDGE		rev	B		