



Chipsmall Limited consists of a professional team with an average of over 10 year of expertise in the distribution of electronic components. Based in Hongkong, we have already established firm and mutual-benefit business relationships with customers from,Europe,America and south Asia,supplying obsolete and hard-to-find components to meet their specific needs.

With the principle of "Quality Parts,Customers Priority,Honest Operation,and Considerate Service",our business mainly focus on the distribution of electronic components. Line cards we deal with include Microchip,ALPS,ROHM,Xilinx,Pulse,ON,Everlight and Freescale. Main products comprise IC,Modules,Potentiometer,IC Socket,Relay,Connector.Our parts cover such applications as commercial,industrial, and automotives areas.

We are looking forward to setting up business relationship with you and hope to provide you with the best service and solution. Let us make a better world for our industry!



Contact us

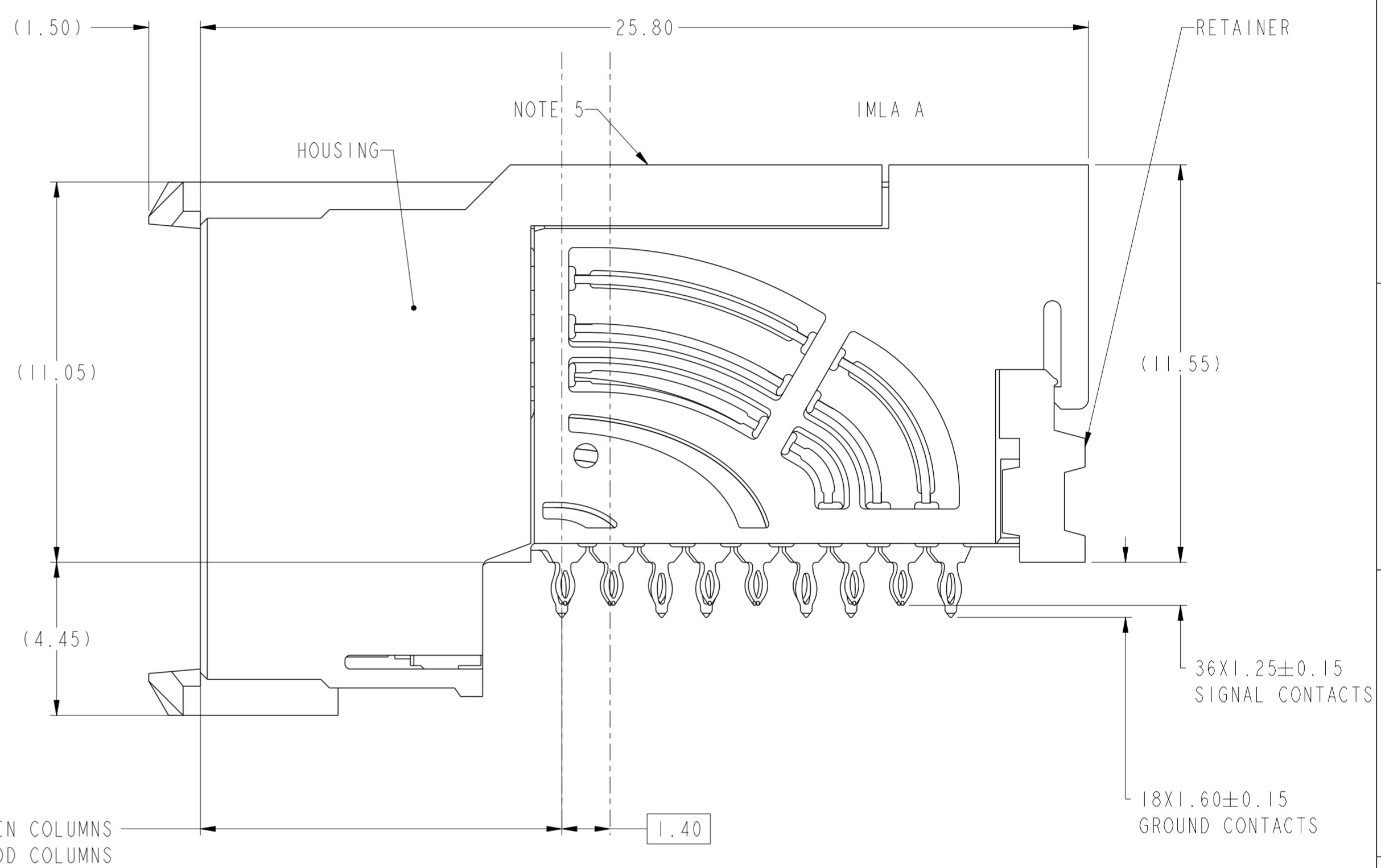
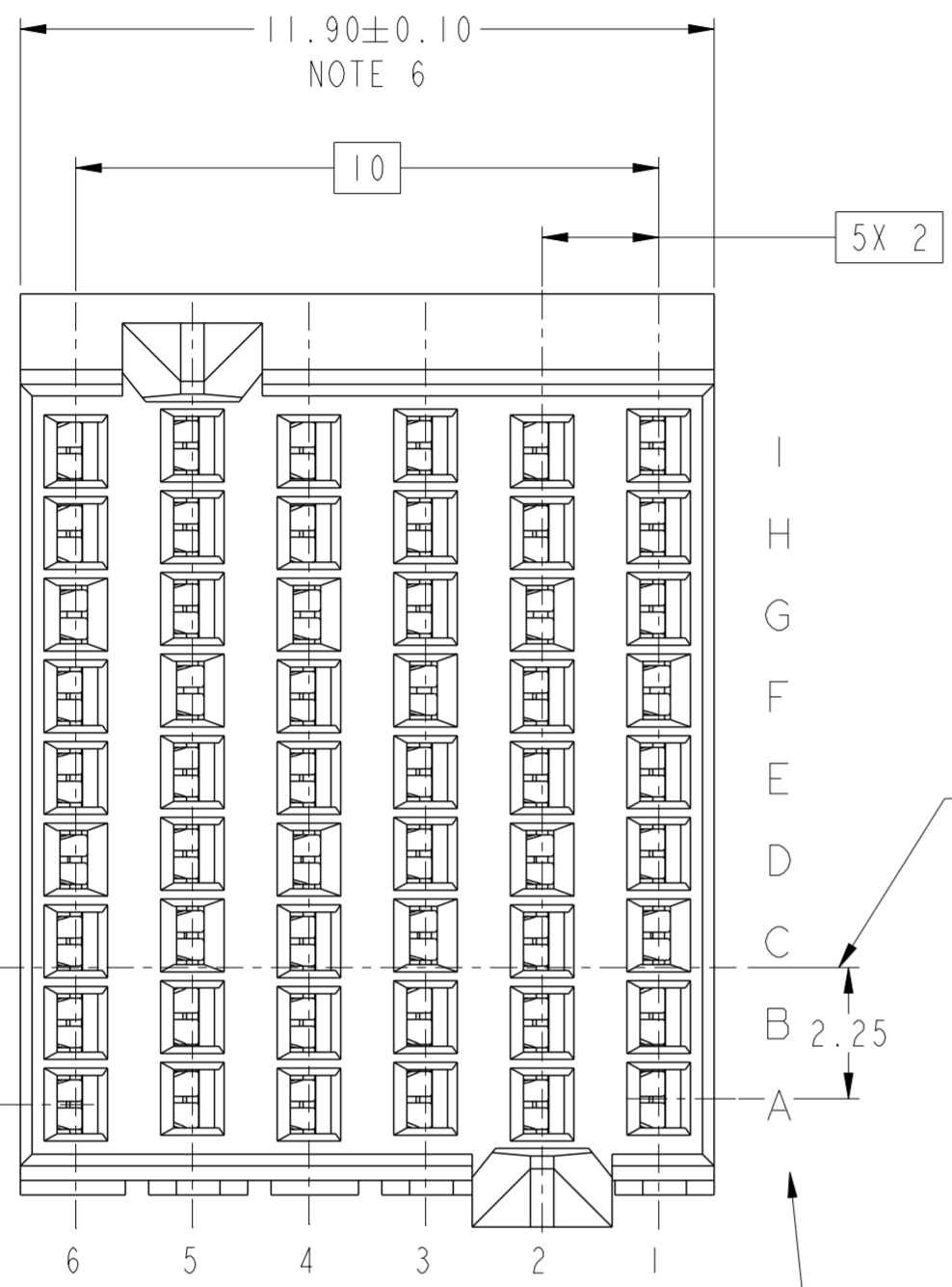
Tel: +86-755-8981 8866 Fax: +86-755-8427 6832

Email & Skype: info@chipsmall.com Web: www.chipsmall.com

Address: A1208, Overseas Decoration Building, #122 Zhenhua RD., Futian, Shenzhen, China



PRODUCT NUMBER
SEE SHEET 3



10.50 ϕ OF EVEN COLUMNS
10.60 ϕ OF ODD COLUMNS

36X1.25 \pm 0.15
SIGNAL CONTACTS
18X1.60 \pm 0.15
GROUND CONTACTS

EVEN COLUMN, CONTACT ROW ID
ODD AND EVEN COLUMNS ARE OFFSET

ODD COLUMN, CONTACT ROW ID

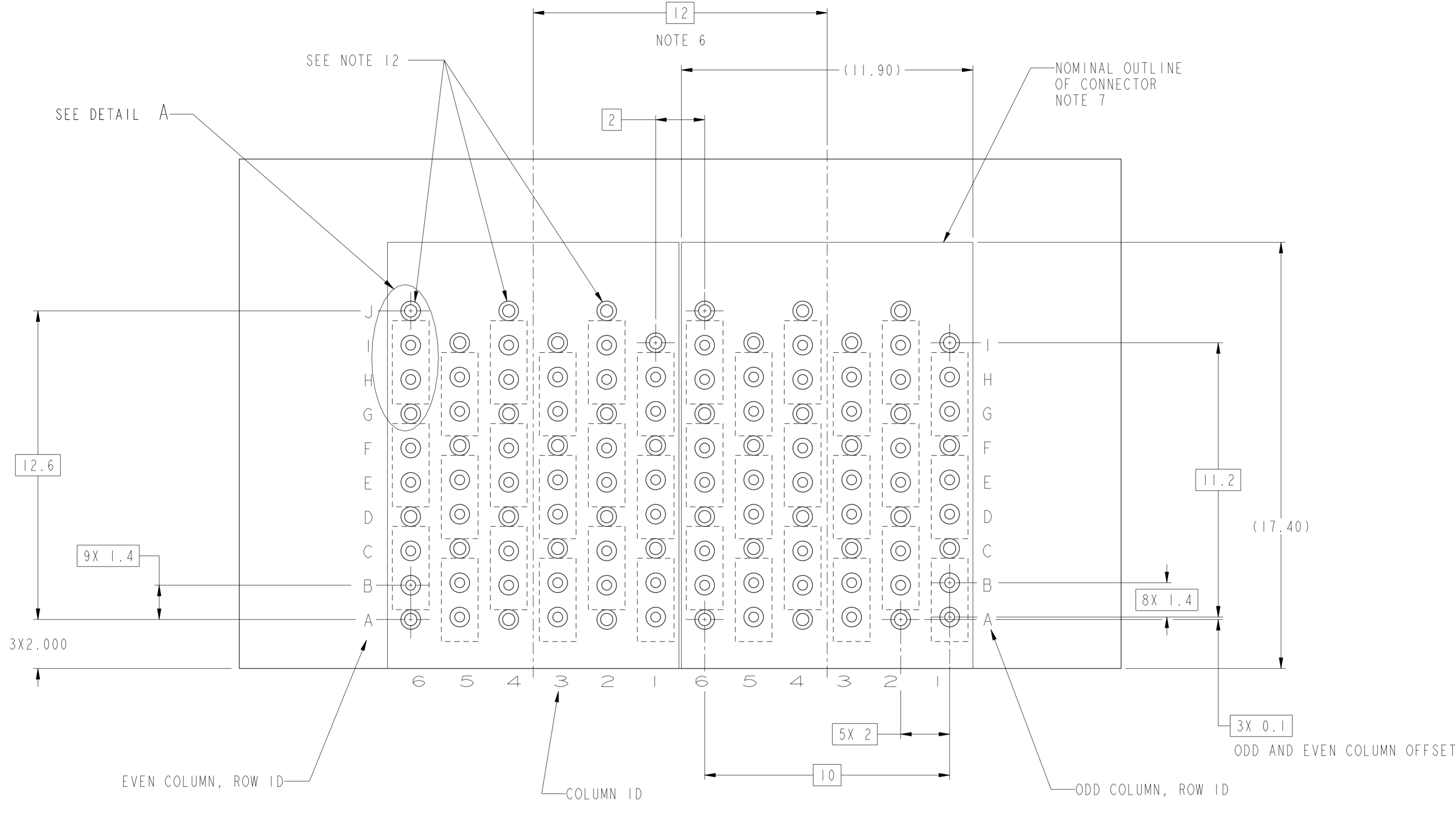
Copyright FCI.
FCI

spec ref	---	dr	Lin-Soe Ngwe	2012/11/15	projection	MM	size	A2	scale	1:1											
tolerance std	ASME Y14.5M	eng	Jeny Ren	2015/02/04			ecn no	ELX-DG-20165-1													
TOLERANCES UNLESS OTHERWISE SPECIFIED		chr	-				rel level	Released													
surface	<table border="1"> <tr> <td>linear</td> <td>0.X</td> <td>\pm.3</td> </tr> <tr> <td></td> <td>0.XX</td> <td>\pm.10</td> </tr> <tr> <td></td> <td>0.XXX</td> <td>\pm.050</td> </tr> <tr> <td>angular</td> <td>0°</td> <td>\pm°</td> </tr> </table>	linear	0.X	\pm .3				0.XX	\pm .10		0.XXX	\pm .050	angular	0°	\pm °	appr	Collins Lu	2015/02/06	product family	AirMax VSE	
linear	0.X	\pm .3																			
	0.XX	\pm .10																			
	0.XXX	\pm .050																			
angular	0°	\pm °																			
				title AIRMAX VS2 R.A. RECEPTACLE ASS'Y, 3 PAIR, 54 POS, 6 IMLA, 12MM, Small PF		dwg no 10123420	rev C		Product - Customer Drw sheet 1 of 3												

PDS: Rev :C

STATUS:Released

Printed: Feb 09, 2015



RECOMMENDED PCB LAYOUT
 FOR DIFFERENTIAL APPLICATIONS
 COMPONENT SIDE
 (TWO ADJACENT FOOTPRINTS SHOWN)
 NOTES 6, 8, & 11

Copyright FCI.
FCI

spec ref	---	dr	Lin-Soe Ngwe	2012/11/15	projection	MM	size	A2	scale	1:1					
tolerance std	ASME Y14.5M	eng	Jeny Ren	2015/02/04			ecn no	ELX-DG-20165-1	rel level	Released					
TOLERANCES UNLESS OTHERWISE SPECIFIED		chr	-	app							Collins Lu	2015/02/06	product family	AirMax VSE	
surface	✓	linear	0.X	±.3		AIRMAX VS2 R.A. RECEPTACLE ASS'Y, 3 PAIR, 54 POS, 6 IMLA, 12MM, Small PF	div no	10123420	rev	C					
			0.XX	±.10							www.fci.com	cat. no.	-	Product - Customer Drw	sheet 2 of 3
			0.XXX	±.050											
		angular	0°	±°											

PDS: Rev :C

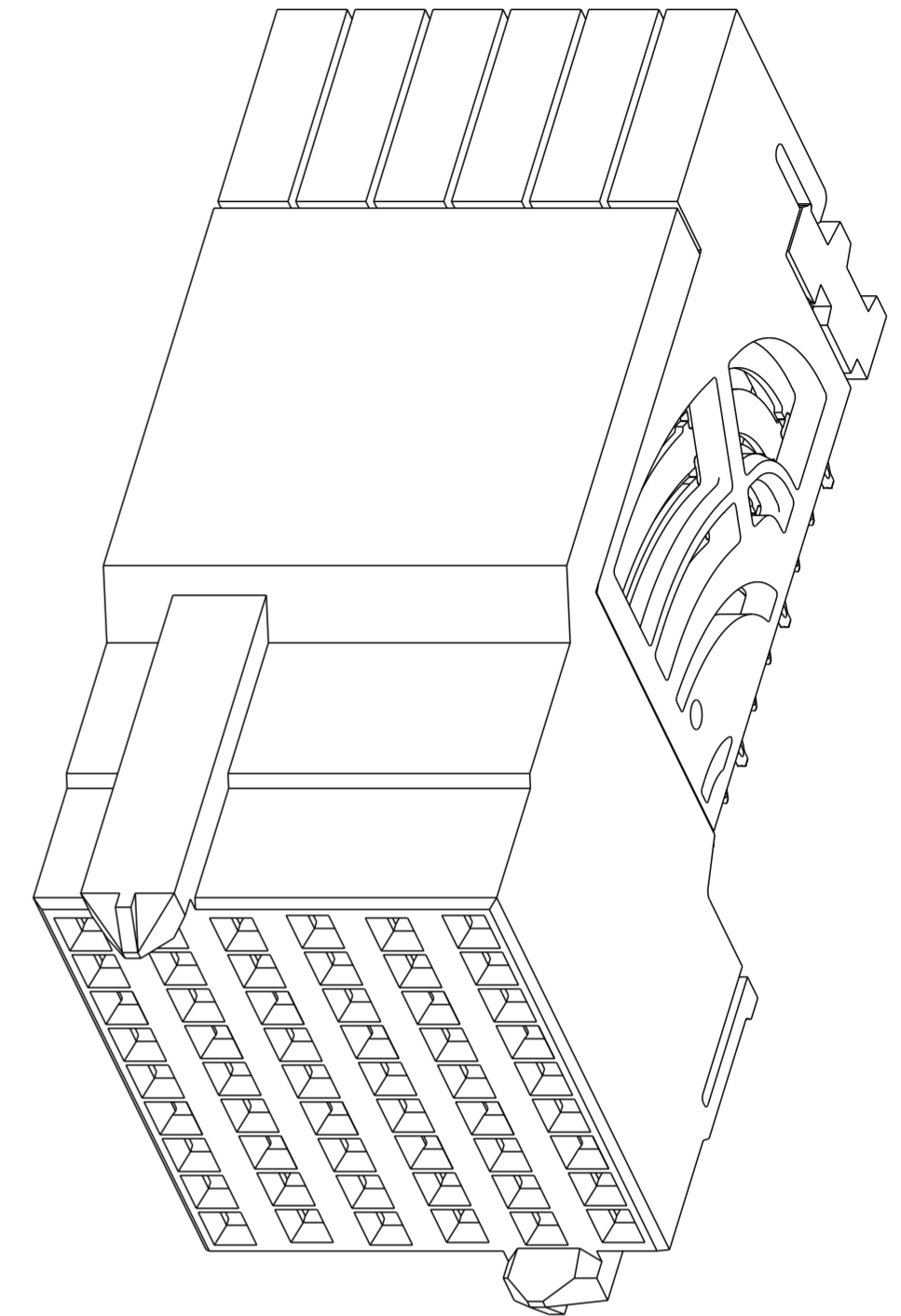
STATUS:Released

Printed: Feb 09, 2015

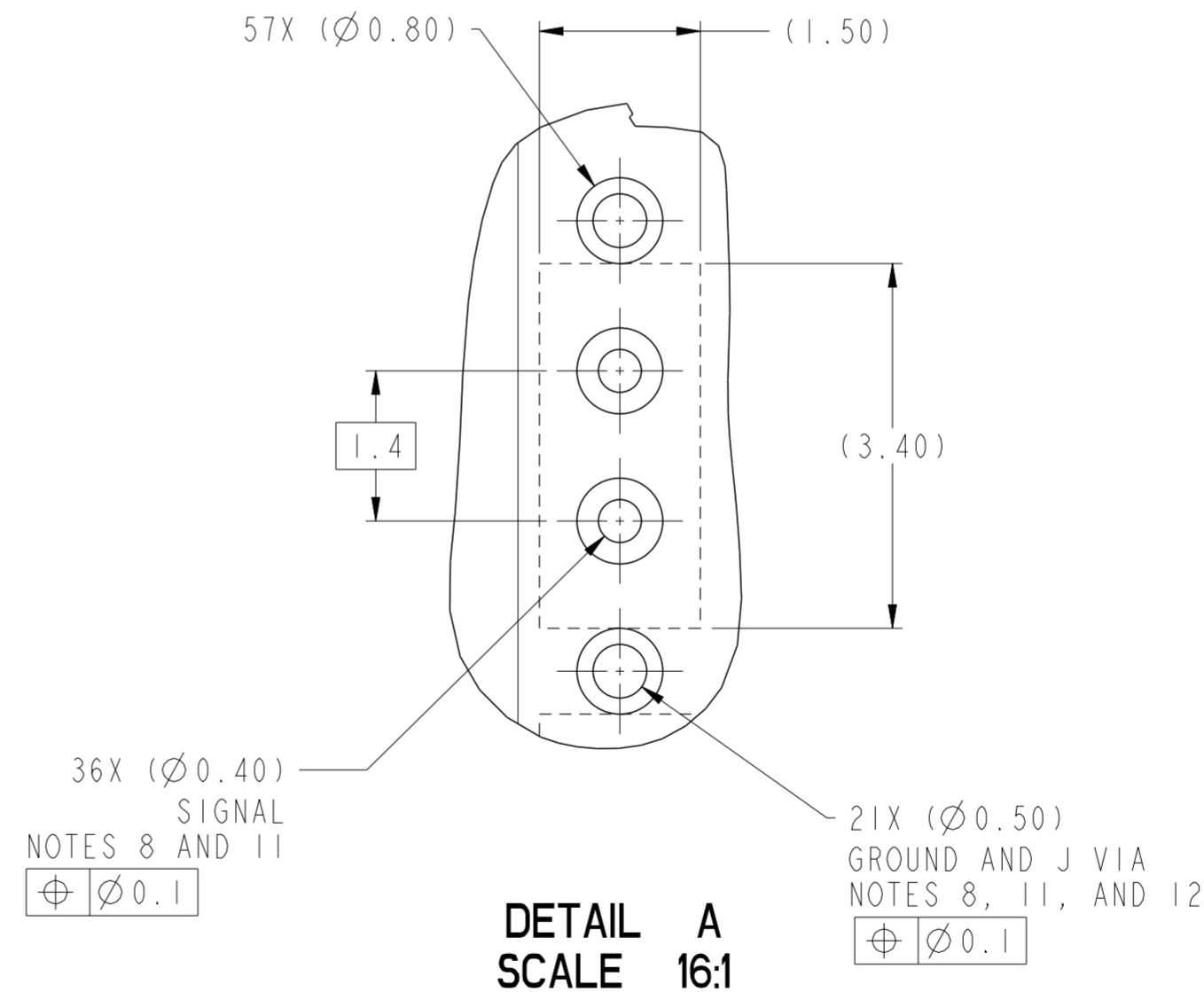
PRODUCT NUMBER	PRESS-FIT TAIL PLATING TYPE
10123420-101	TIN/LEAD ALLOY OVER NICKEL
10123420-101LF	TIN OVER NICKEL (LEAD FREE)

- 1 - CONNECTOR MATERIALS:
HOUSING: HIGH TEMP THERMOPLASTIC, NATURAL, UL94-V0
IMLA PLASTIC: HIGH TEMP THERMOPLASTIC, BLACK, UL94-V0
CONTACT: COPPER ALLOY
ORGANIZER: HIGH TEMP THERMOPLASTIC, WHITE, UL94-V0
- 2 - CONTACT PLATING:
SEPARABLE INTERFACE:
GXT PLUS PLATING, QUALIFIED TO MEET THE REQUIREMENTS OF FCI PRODUCT SPECIFICATION GS-12-0956 INCLUDING TELCORDIA GR-1217-CORE (NOVEMBER 1995) CENTRAL OFFICE TEST SEQUENCE

PRESS-FIT TAILS: SEE TABLE
- 3 - PRODUCT SPECIFICATION: GS-12-0956
- 4 - APPLICATION SPECIFICATION: GS-20-0305.
- 5 - PRODUCT MARKING, (PART NUMBER & LOT CODE), ON THIS SURFACE.
- 6 - THE MINIMUM CENTERLINE SPACING BETWEEN ADJACENT MODULES IS 12.0 MM.
- 7 - CONNECTOR OUTLINE MAY BE SCREEN PRINTED ONTO CUSTOMER PCB TO BE USED AS A GUIDE FOR MANUAL CONNECTOR PLACEMENT.
- 8 - REFER TO CUSTOMER DRAWING 10104444 FOR INFORMATION ON PCB HOLE DIAMETERS AND PLATING OPTIONS
- 9 - LEAD FREE PRODUCT MEETS THE EUROPEAN UNION DIRECTIVES & OTHER COUNTRY REGULATIONS AS DESCRIBED IN GS-22-008
- 10 - PACKAGING MEETS GS-14-920 LEAD FREE LABELING SPECIFICATION.
- 11 - GROUND CONTACTS (C,F, AND I IN ODD COLUMNS AND A, D, AND G, EVEN COLUMNS) REQUIRE (Ø0.500) FINISHED HOLES. SIGNAL LOCATIONS REQUIRE (Ø0.400) FINISHED HOLES.
- 12 - THESE OUTER VIAS (J) ARE OPTIONAL. WHILE NO CONNECTOR EONS ARE PRESSED INTO THESE HOLES WE RECOMMEND (Ø0.500) FINISHED HOLES AT THESE LOCATIONS TO PROVIDE GROUND SYMMETRY THROUGH THE PCB.
13. A \triangle SYMBOL WILL BE NEXT TO ANY DIMENSION, VIEW, OR NOTE, WHICH HAS BEEN MODIFIED WITH THE CURRENT DRAWING REVISION.



10123420-101 OR -101LF



spec ref	---	dr	Lin-Soe Ngwe	2012/11/15	projection	MM	size	A2	scale	4:1
tolerance std	ASME Y14.5M	eng	Jeny Ren	2015/02/04			ecn no	ELX-DG-20165-1		
TOLERANCES UNLESS OTHERWISE SPECIFIED		chr	-	appr			Collins Lu	2015/02/06	product family	rel level
surface		linear	0.X	±.3		AIRMAX VS2 R.A. RECEPTACLE ASS'Y, 3 PAIR, 54 POS, 6 IMLA, 12MM, Small PF	dwg no 10123420	rev C	Product - Customer Drw	
			0.XX	±.10					sheet 3 of 3	
			0.XXX	±.050						
		angular	0°	±°	www.fci.com	cat. no.	Product - Customer Drw		sheet 3 of 3	