



Chipsmall Limited consists of a professional team with an average of over 10 year of expertise in the distribution of electronic components. Based in Hongkong, we have already established firm and mutual-benefit business relationships with customers from,Europe,America and south Asia,supplying obsolete and hard-to-find components to meet their specific needs.

With the principle of "Quality Parts,Customers Priority,Honest Operation,and Considerate Service",our business mainly focus on the distribution of electronic components. Line cards we deal with include Microchip,ALPS,ROHM,Xilinx,Pulse,ON,Everlight and Freescale. Main products comprise IC,Modules,Potentiometer,IC Socket,Relay,Connector.Our parts cover such applications as commercial,industrial, and automotives areas.

We are looking forward to setting up business relationship with you and hope to provide you with the best service and solution. Let us make a better world for our industry!



Contact us

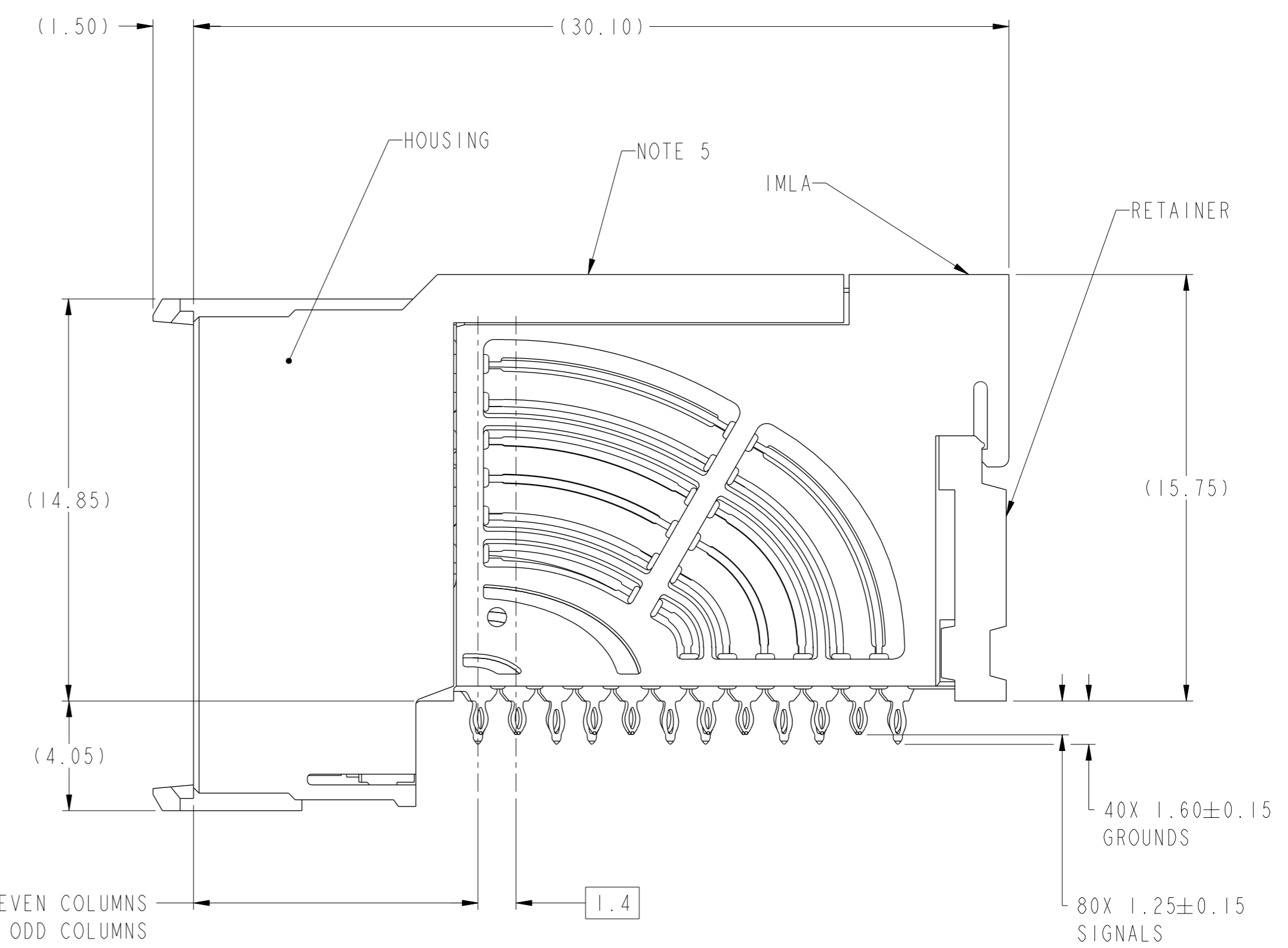
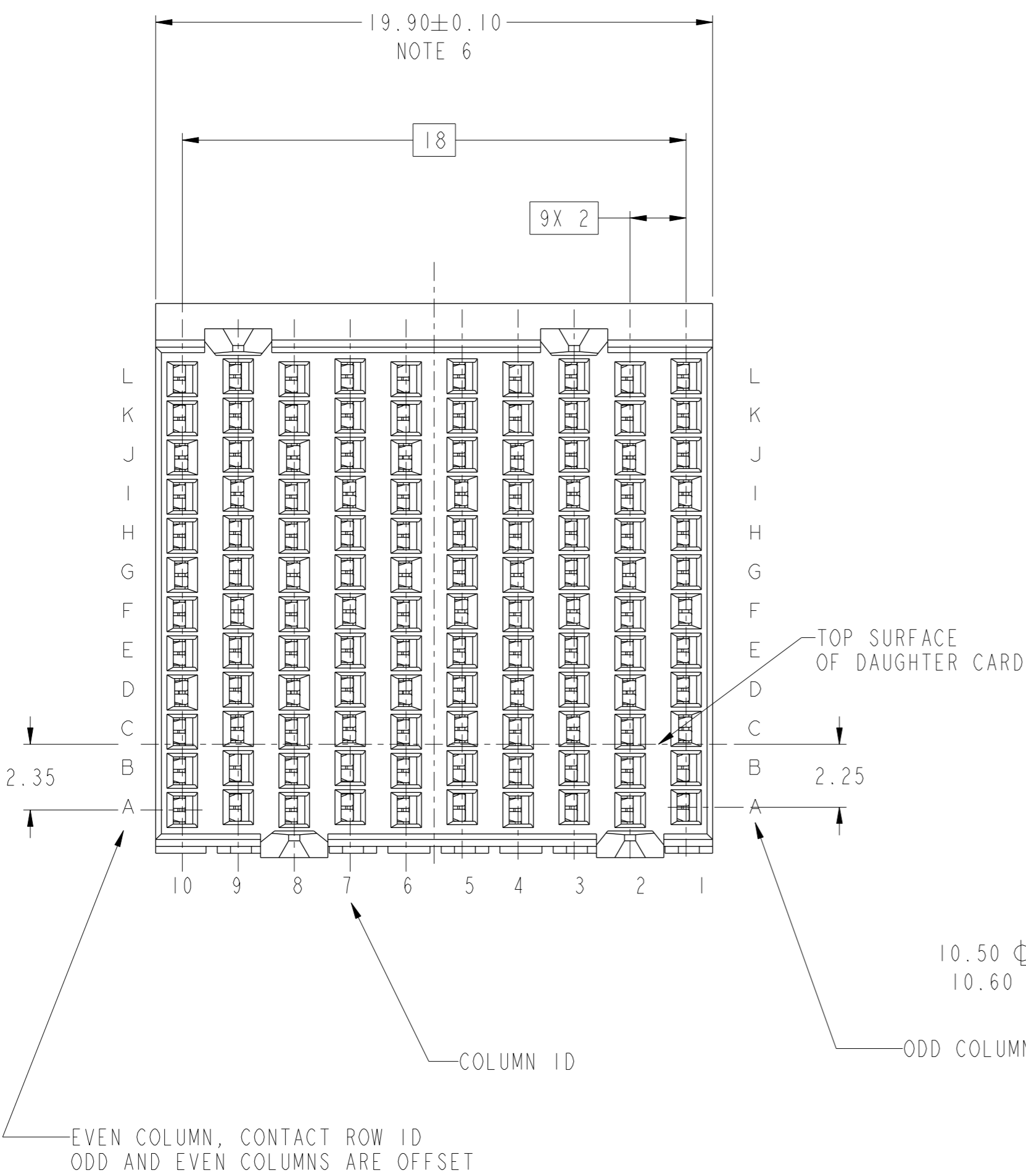
Tel: +86-755-8981 8866 Fax: +86-755-8427 6832

Email & Skype: info@chipsmall.com Web: www.chipsmall.com

Address: A1208, Overseas Decoration Building, #122 Zhenhua RD., Futian, Shenzhen, China



PRODUCT NUMBER
SEE SHEET 3



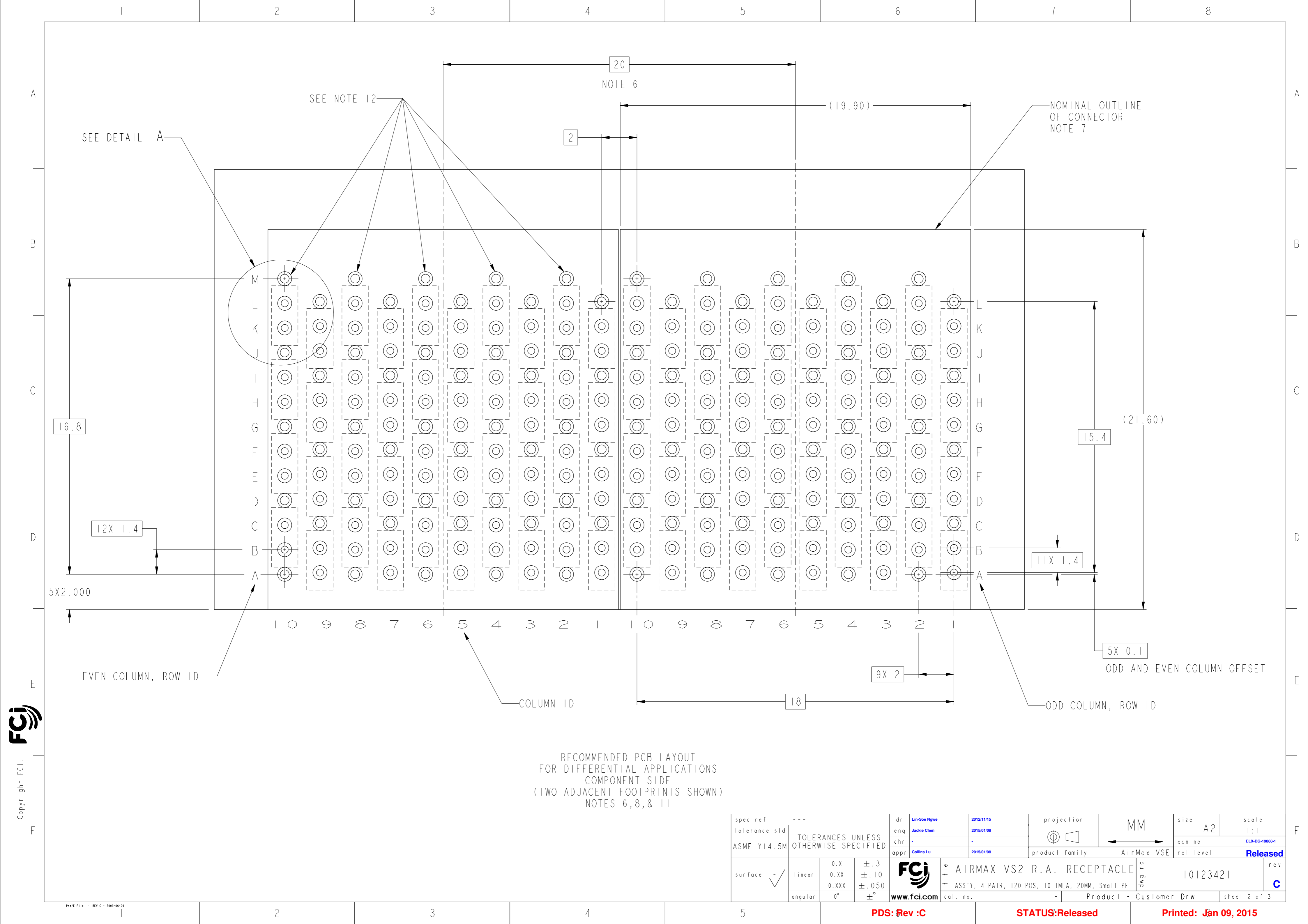
spec ref	---	dr	Lin-Soe Ngwe	2012/11/15	projection	MM	size	A2	scale	1:1										
tolerance std	ASME Y14.5M	eng	Jackie Chen	2015/01/08			ecn no	ELX-DG-19888-1												
TOLERANCES UNLESS OTHERWISE SPECIFIED		chr	-	rel level			Released													
surface	<table border="1"> <tr> <td>linear</td> <td>0.X</td> <td>±.3</td> </tr> <tr> <td></td> <td>0.XX</td> <td>±.10</td> </tr> <tr> <td></td> <td>0.XXX</td> <td>±.050</td> </tr> <tr> <td>angular</td> <td>0°</td> <td>±°</td> </tr> </table>	linear	0.X	±.3				0.XX	±.10		0.XXX	±.050	angular	0°	±°	appr	Collins Lu	2015/01/08	product family	AirMax VSE
linear	0.X	±.3																		
	0.XX	±.10																		
	0.XXX	±.050																		
angular	0°	±°																		
				AIRMAX VS2 R.A. RECEPTACLE ASS'Y, 4 PAIR, 120 POS, 10 IMLA, 20MM, Small PF		dwg no 10123421	rev C													
		www.fci.com		cat. no.	Product - Customer Drw			sheet 1 of 3												

PDS: Rev :C

STATUS:Released

Printed: Jan 09, 2015

Copyright FCI.



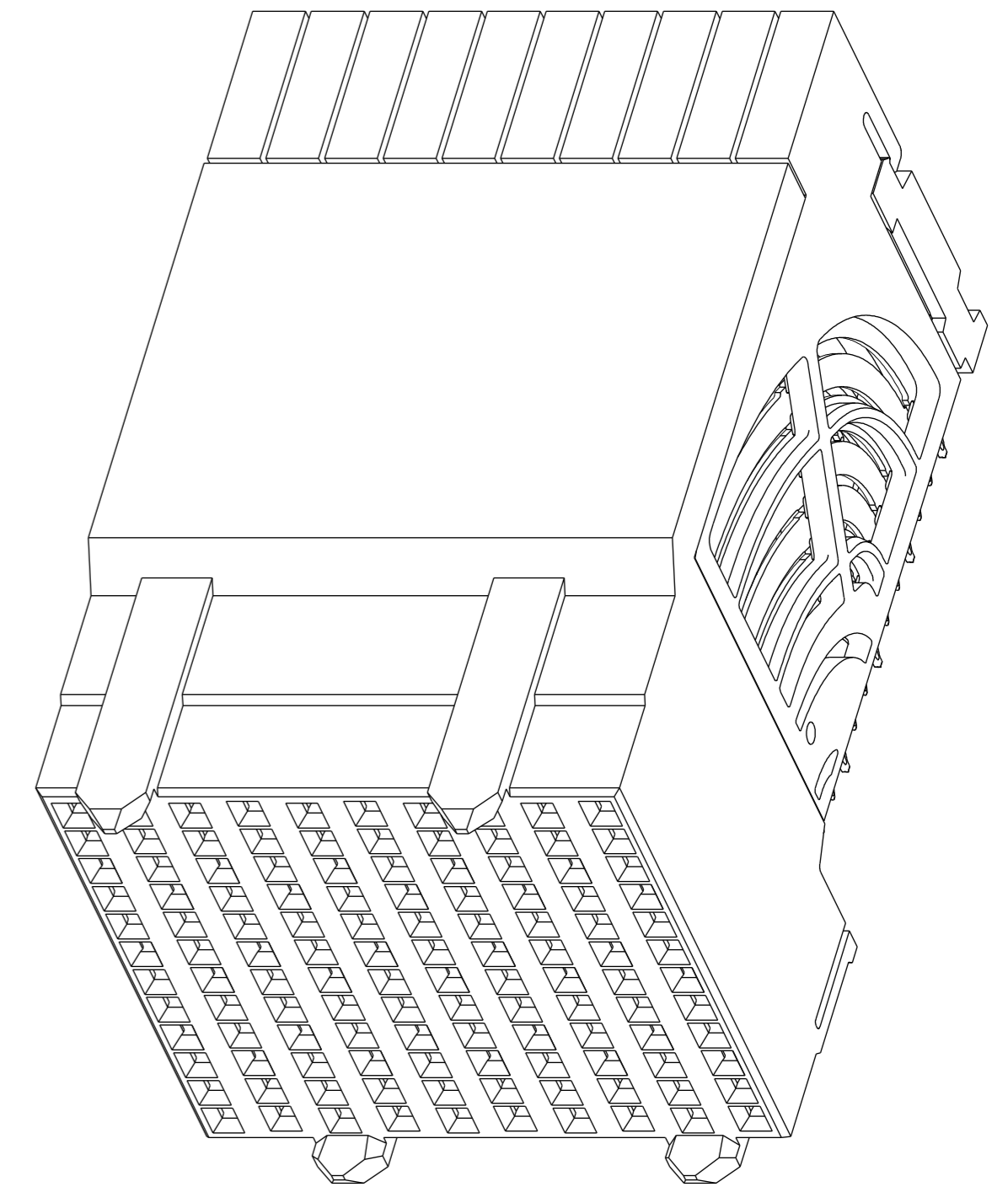
RECOMMENDED PCB LAYOUT
FOR DIFFERENTIAL APPLICATIONS
COMPONENT SIDE
(TWO ADJACENT FOOTPRINTS SHOWN)
NOTES 6, 8, & 11

spec ref	---	dr	Lin-Soe Ngwe	2012/11/15	projection	MM	size	A2	scale	1:1											
tolerance std	ASME Y14.5M	eng	Jackie Chen	2015/01/08			ecn no	ELX-DG-19888-1													
TOLERANCES UNLESS OTHERWISE SPECIFIED		chr	-	rel level			Released														
surface	<table border="1"> <tr> <td>linear</td> <td>0.X</td> <td>±.3</td> </tr> <tr> <td></td> <td>0.XX</td> <td>±.10</td> </tr> <tr> <td></td> <td>0.XXX</td> <td>±.050</td> </tr> <tr> <td>angular</td> <td>0°</td> <td>±°</td> </tr> </table>	linear	0.X	±.3				0.XX	±.10		0.XXX	±.050	angular	0°	±°	appr	Collins Lu	2015/01/08	product family	AirMax VSE	cat. no.
linear	0.X	±.3																			
	0.XX	±.10																			
	0.XXX	±.050																			
angular	0°	±°																			
				AIRMAX VS2 R.A. RECEPTACLE ASS'Y, 4 PAIR, 120 POS, 10 IMLA, 20MM, Small PF		rev no 10123421	rev C	sheet 2 of 3													

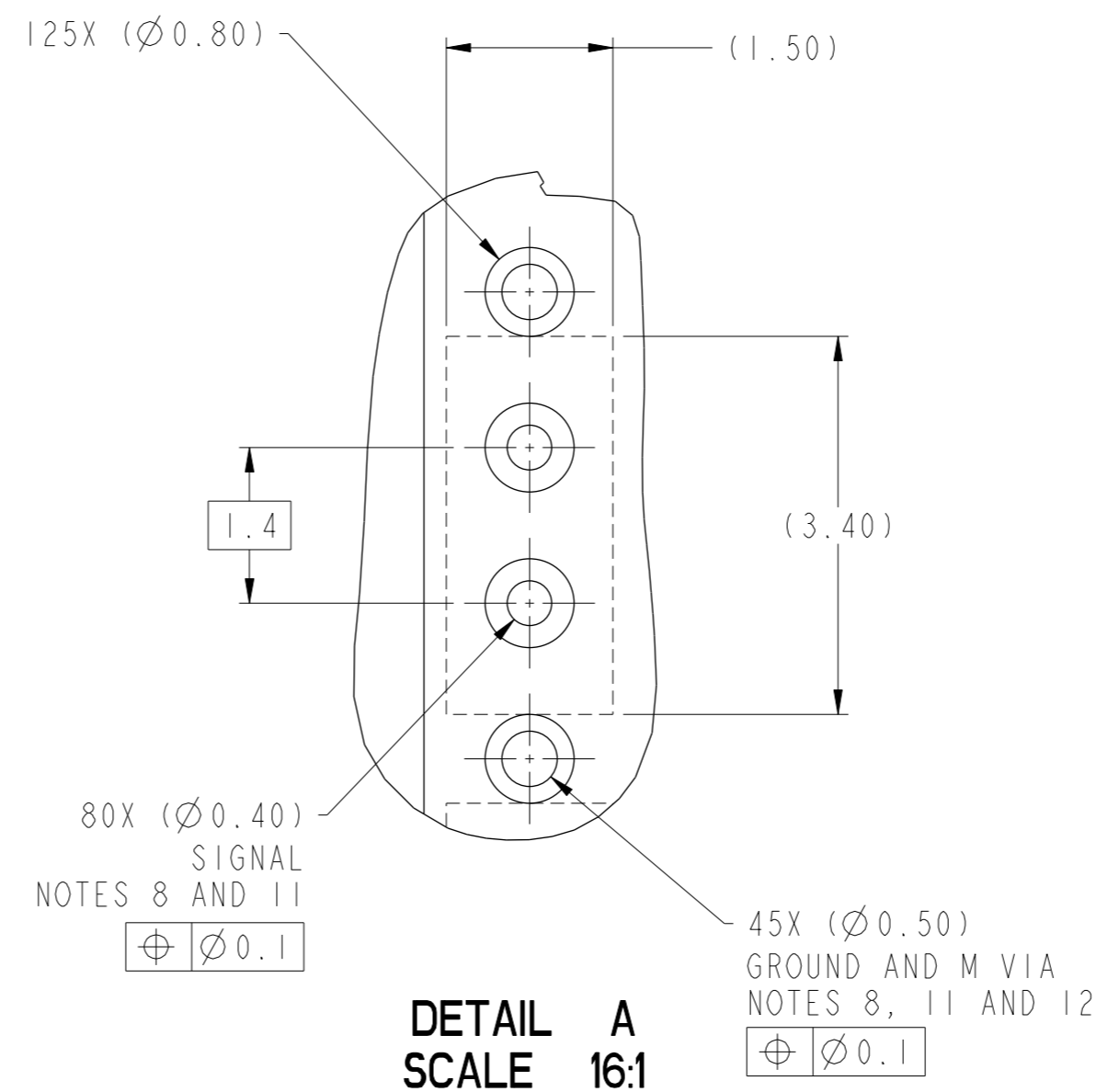
PRODUCT NUMBER	PRESS-FIT TAIL PLATING TYPE
10123421-101	TIN/LEAD ALLOY OVER NICKEL
10123421-101LF	TIN OVER NICKEL (LEAD FREE)

- ① - CONNECTOR MATERIALS:
HOUSING: HIGH TEMP THERMOPLASTIC, NATURAL, UL94-V0
IMLA PLASTIC: HIGH TEMP THERMOPLASTIC, BLACK, UL94-V0
CONTACT: COPPER ALLOY
ORGANIZER: HIGH TEMP THERMOPLASTIC, NATURAL, UL94-V0
- 2 - CONTACT PLATING:
SEPARABLE INTERFACE:
GXT PLUS PLATING, QUALIFIED TO MEET THE REQUIREMENTS OF FCI PRODUCT SPECIFICATION GS-12-0956 INCLUDING TELCORDIA GR-1217-CORE (NOVEMBER 1995) CENTRAL OFFICE TEST SEQUENCE

PRESS-FIT TAILS: SEE TABLE
- 3 - PRODUCT SPECIFICATION: GS-12-0956
- 4 - APPLICATION SPECIFICATION: GS-20-0305.
- ⑤ - PRODUCT MARKING, (PROTOTYPE, PART NUMBER & LOT CODE), ON THIS SURFACE.
- ⑥ - THE MINIMUM CENTERLINE SPACING BETWEEN ADJACENT MODULES IS 20.0 MM.
- ⑦ - CONNECTOR OUTLINE MAY BE SCREEN PRINTED ONTO CUSTOMER PCB TO BE USED AS A GUIDE FOR MANUAL CONNECTOR PLACEMENT.
- ⑧ - REFER TO CUSTOMER DRAWING 10104444 FOR INFORMATION ON PCB HOLE DIAMETERS AND PLATING OPTIONS
- 9 - LEAD FREE PRODUCT MEETS THE EUROPEAN UNION DIRECTIVES & OTHER COUNTRY REGULATIONS AS DESCRIBED IN GS-22-008
- 10 - PACKAGING MEETS GS-14-920 LEAD FREE LABELING SPECIFICATION.
- ⑪ - GROUND CONTACTS (C,F,I AND L IN ODD COLUMNS AND A,D,G AND J, EVEN COLUMNS) REQUIRE (Ø0.500) FINISHED HOLES. SIGNAL LOCATIONS REQUIRE (Ø0.400) FINISHED HOLES.
- ⑫ - THESE OUTER VIAS (M) ARE OPTIONAL. WHILE NO CONNECTOR EONS ARE. PRESSED INTO THESE HOLES, WE RECOMMEND (Ø 0.500) FINISHED HOLES AT THESE LOCATIONS TO PROVIDE GROUND SYMMETRY THROUGH THE PCB.
- 13 - A \triangle SYMBOL WILL BE NEXT TO ANY DIMENSION, VIEW, OR NOTE, WHICH HAS BEEN MODIFIED WITH THE CURRENT DRAWING REVISION.



10123421-101 OR -101LF



spec ref	---	dr	Lin-Soe Ngwe	2012/11/15	projection	MM	size	A2	scale	4:1												
tolerance std	ASME Y14.5M	eng	Jackie Chen	2015/01/08			ecn no	ELX-DG-19888-1														
TOLERANCES UNLESS OTHERWISE SPECIFIED		chr	-	appr			Collins Lu	2015/01/08	rel level	Released												
surface	<table border="1"> <tr> <td>linear</td> <td>0.X</td> <td>±.3</td> </tr> <tr> <td></td> <td>0.XX</td> <td>±.10</td> </tr> <tr> <td></td> <td>0.XXX</td> <td>±.050</td> </tr> <tr> <td>angular</td> <td>0°</td> <td>±°</td> </tr> </table>	linear	0.X	±.3		0.XX	±.10		0.XXX	±.050	angular	0°	±°			FCI www.fci.com		title AIRMAX VS2 R.A. RECEPTACLE ASS'Y, 4 PAIR, 120 POS, 10 IMLA, 20MM, Small PF	dwg no 10123421	rev C	Product - Customer Drw sheet 3 of 3	
linear	0.X	±.3																				
	0.XX	±.10																				
	0.XXX	±.050																				
angular	0°	±°																				