



Chipsmall Limited consists of a professional team with an average of over 10 year of expertise in the distribution of electronic components. Based in Hongkong, we have already established firm and mutual-benefit business relationships with customers from,Europe,America and south Asia,supplying obsolete and hard-to-find components to meet their specific needs.

With the principle of “Quality Parts,Customers Priority,Honest Operation,and Considerate Service”,our business mainly focus on the distribution of electronic components. Line cards we deal with include Microchip,ALPS,ROHM,Xilinx,Pulse,ON,Everlight and Freescale. Main products comprise IC,Modules,Potentiometer,IC Socket,Relay,Connector.Our parts cover such applications as commercial,industrial, and automotives areas.

We are looking forward to setting up business relationship with you and hope to provide you with the best service and solution. Let us make a better world for our industry!



## Contact us

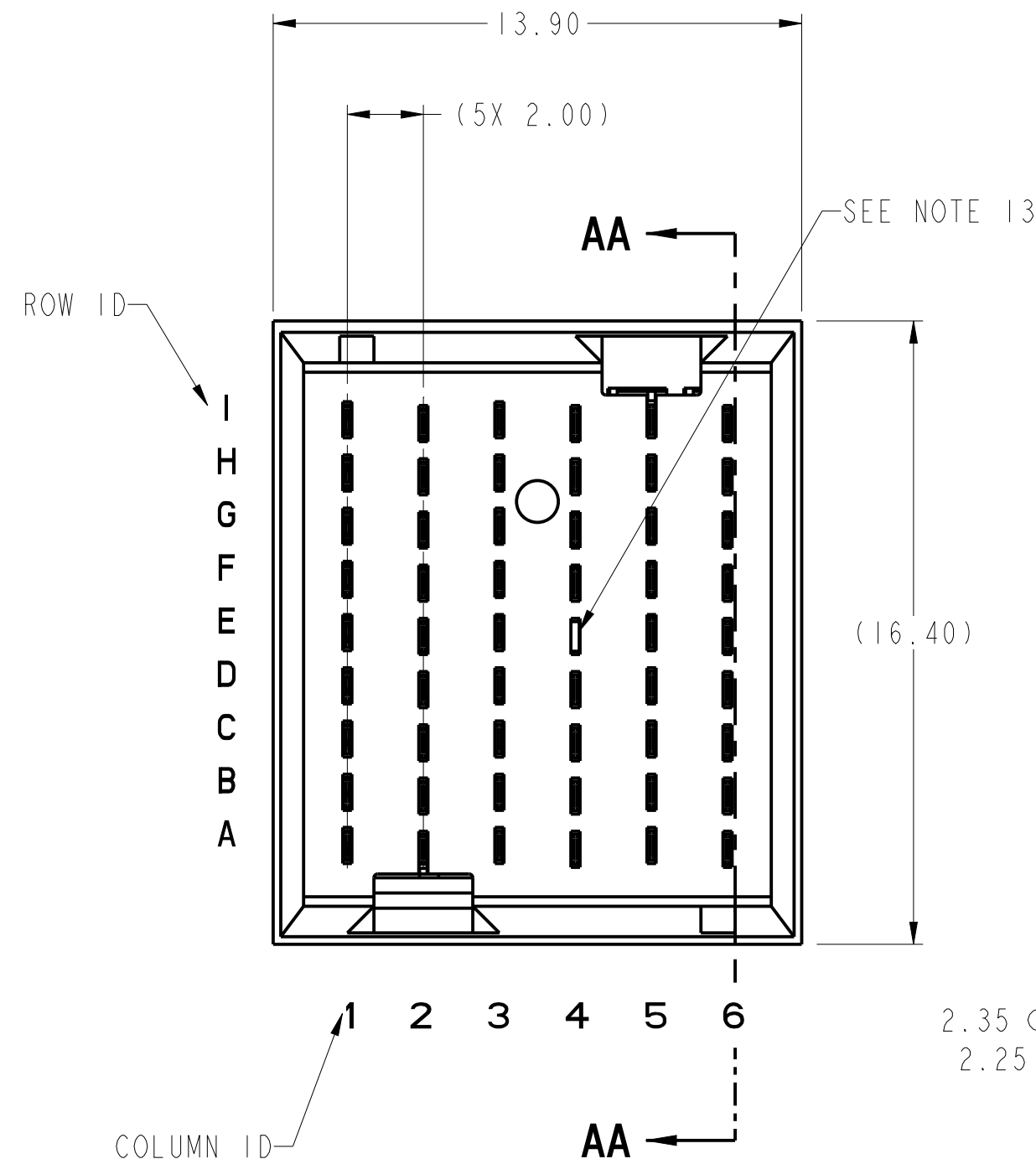
Tel: +86-755-8981 8866 Fax: +86-755-8427 6832

Email & Skype: info@chipsmall.com Web: www.chipsmall.com

Address: A1208, Overseas Decoration Building, #122 Zhenhua RD., Futian, Shenzhen, China



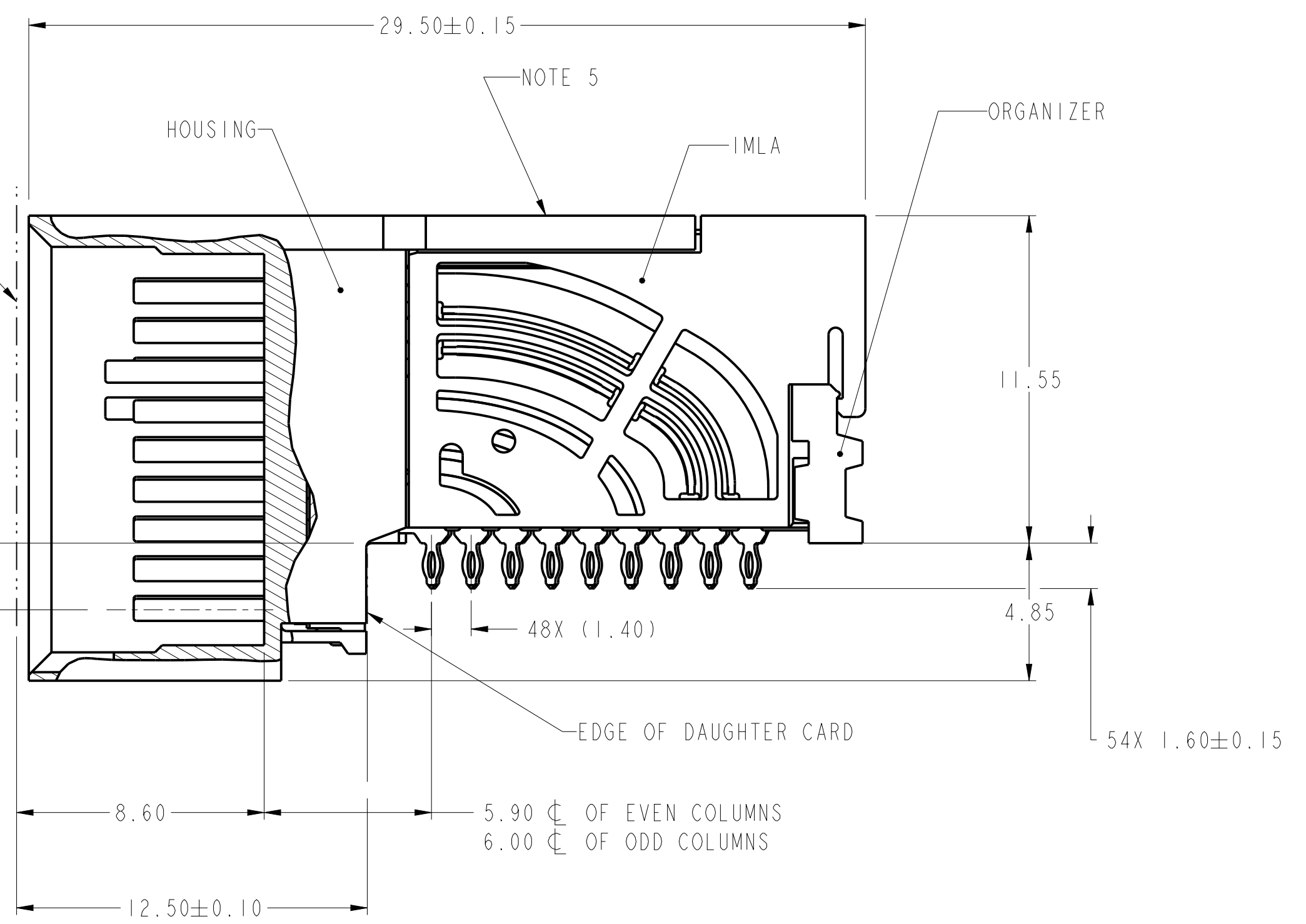
PRODUCT NUMBER  
SEE SHEET 3



TOP SURFACE OF MOTHER BOARD

TOP SURFACE OF DAUGHTER CARD

2.35  $\phi$  OF EVEN COLUMNS  
2.25  $\phi$  OF ODD COLUMNS



SECTION AA-AA

Amphenol  
FCi

© 2016 AFci

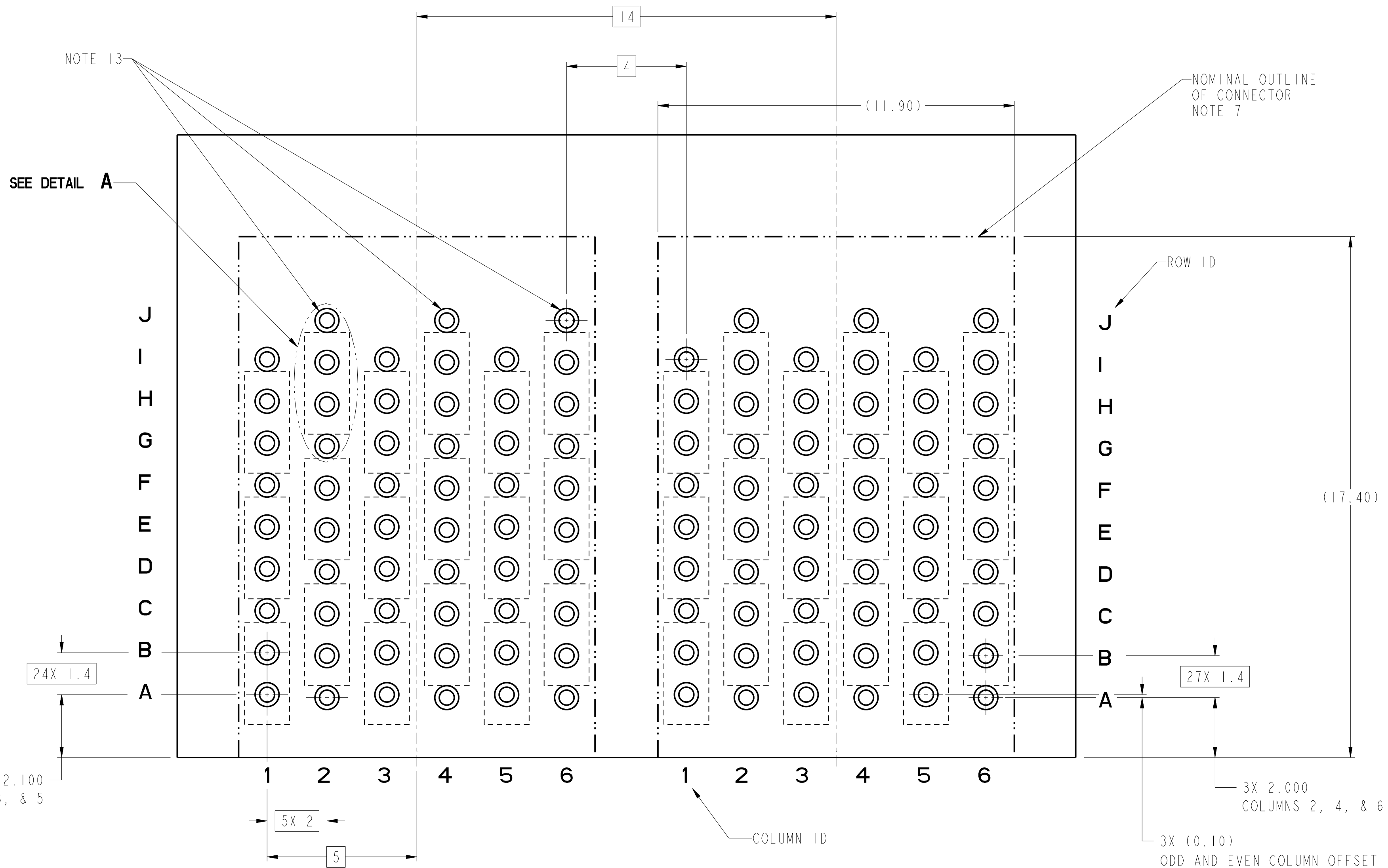
spec ref	---	dr	Lin-Soe Ngwe	2012/11/29	projection	MM	size	A2	scale	6:1												
tolerance std	ASME Y14.5M	eng	Art Lin	2016/11/16			ecn no	ELX-DG-25255-1														
TOLERANCES UNLESS OTHERWISE SPECIFIED		chr	Heaven Cen	2016/11/17			rel level	Released														
surface	<table border="1"> <tr> <td>linear</td> <td>0.X</td> <td>±.3</td> </tr> <tr> <td></td> <td>0.XX</td> <td>±.15</td> </tr> <tr> <td></td> <td>0.XXX</td> <td>±.050</td> </tr> <tr> <td>angular</td> <td>0°</td> <td>±2°</td> </tr> </table>	linear	0.X	±.3		0.XX	±.15		0.XXX	±.050	angular	0°	±2°	appr	Pai-Ming Zheng	2016/11/18	product family	AirMax VSE		rel level	Released	
linear	0.X	±.3																				
	0.XX	±.15																				
	0.XXX	±.050																				
angular	0°	±2°																				
		<b>Amphenol FCI</b>		<b>AirMax VS2 R.A. HEADER</b>		<b>3 PAIR 54 POS 2MM 6 COL</b>		dwg no <b>10123543</b>	rev <b>D</b>	sheet 1 of 3												

PDS: Rev :D

STATUS: Released

Printed: Nov 22, 2016





RECOMMENDED PCB LAYOUT  
FOR DIFFERENTIAL APPLICATIONS  
COMPONENT SIDE  
(TWO ADJACENT FOOTPRINTS SHOWN)  
NOTES 8 & 12

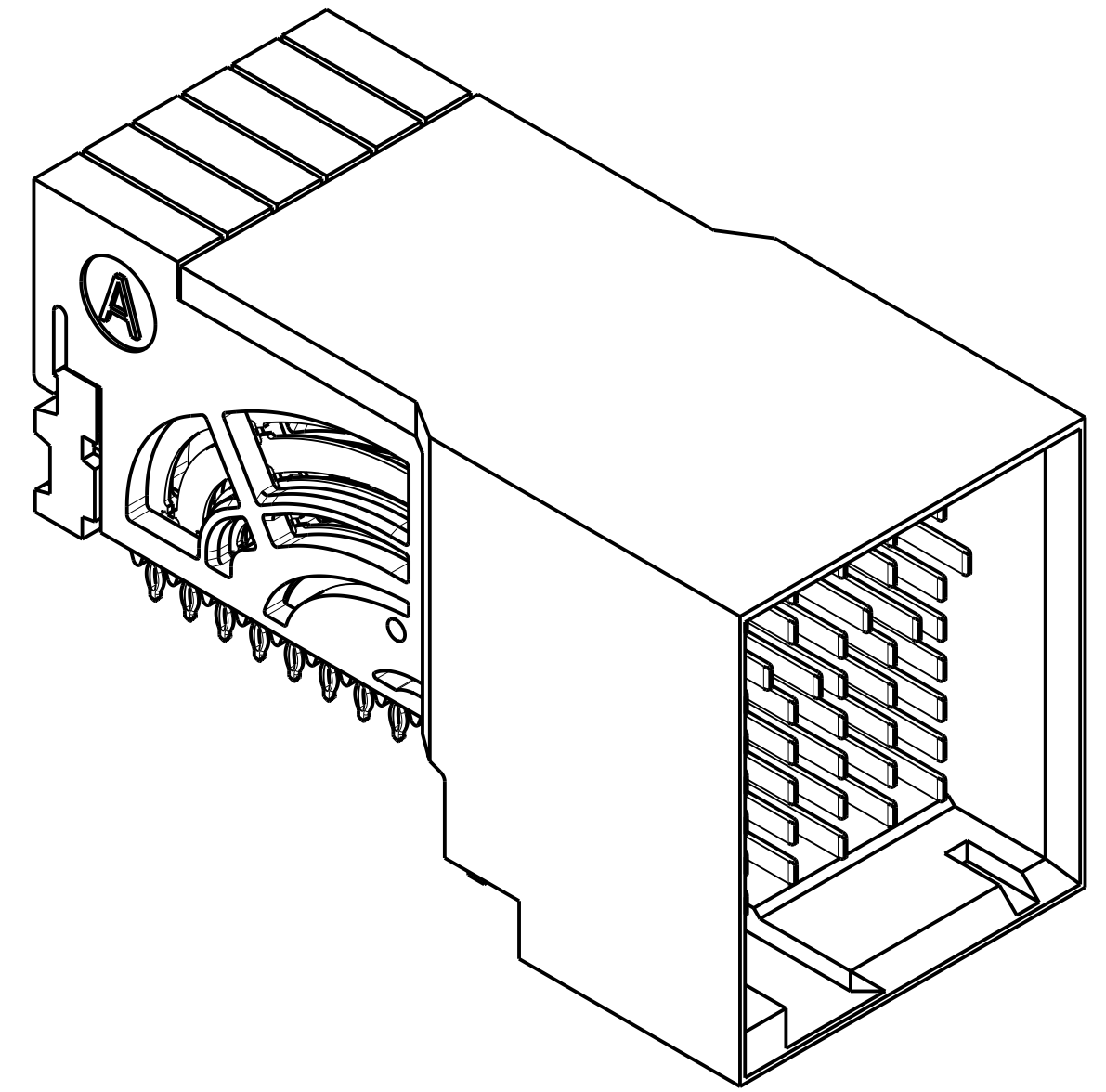
SCALE 10:1

Amphenol  
FCi

© 2016 AFci

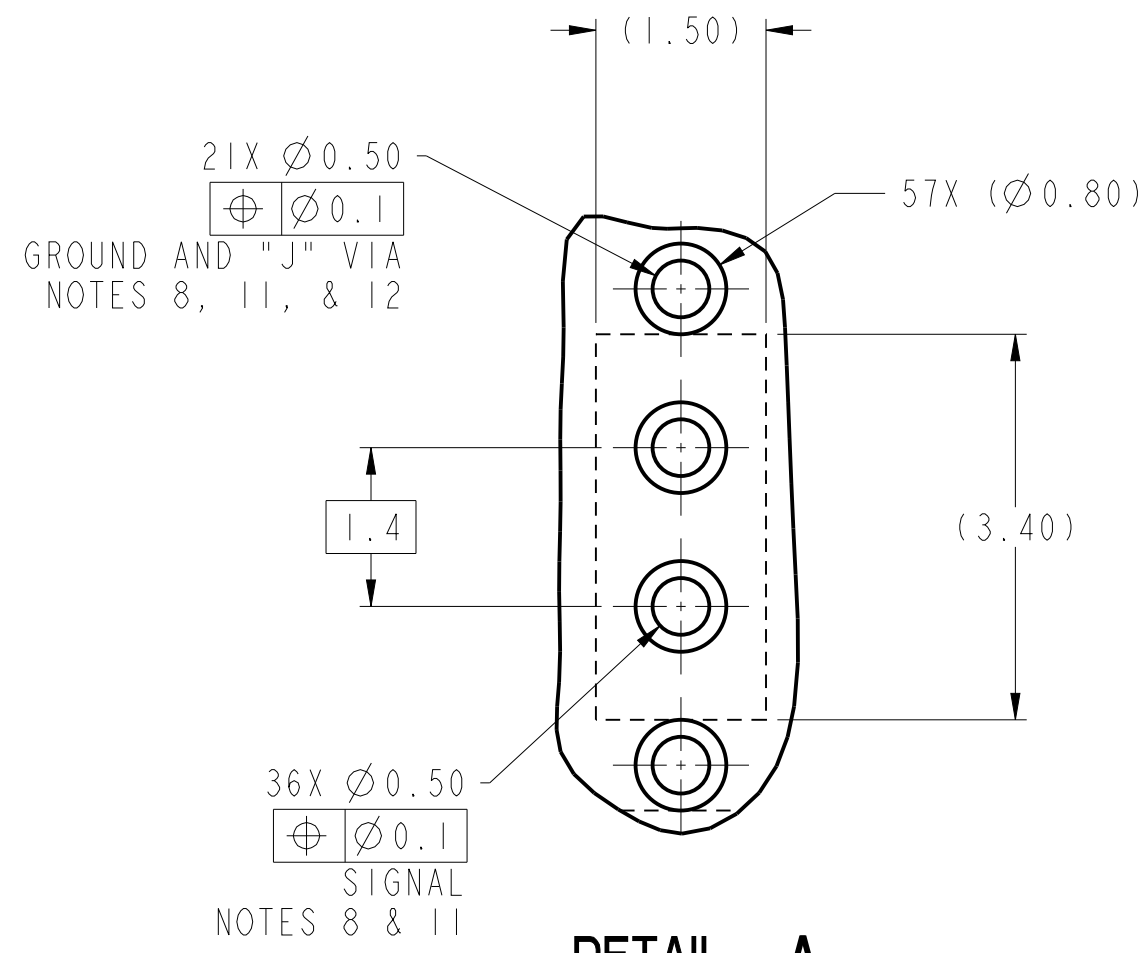
spec ref	---	dr	Lin-Soe Ngwe	2012/11/29	projection	MM	size	A2	scale	8:1										
tolerance std	ASME Y14.5M	eng	Art Lin	2016/11/16			ecn no	ELX-DG-2525-1												
TOLERANCES UNLESS OTHERWISE SPECIFIED		chr	Heaven Cen	2016/11/17				rel level	Released											
surface	<table border="1"> <tr> <td>linear</td> <td>0.X</td> <td>±.3</td> </tr> <tr> <td></td> <td>0.XX</td> <td>±.15</td> </tr> <tr> <td></td> <td>0.XXX</td> <td>±.050</td> </tr> <tr> <td>angular</td> <td>0°</td> <td>±2°</td> </tr> </table>	linear	0.X	±.3		0.XX	±.15		0.XXX	±.050	angular	0°	±2°	appr	Pei-Ming Zheng	2016/11/18	product family			
linear	0.X	±.3																		
	0.XX	±.15																		
	0.XXX	±.050																		
angular	0°	±2°																		
		<b>Amphenol FCI</b>			<b>AirMax VS2 R.A. HEADER</b>			dwg no	10123543											
					3 PAIR 54 POS 2MM 6 COL			rev	D											
					Product - Customer Drw			sheet 2 of 3												

PRODUCT NUMBER	PRESS-FIT TAIL PLATING TYPE	SHORT DETECT CONTACT	REMARKS
10123543-101	TIN/LEAD ALLOY OVER NICKEL	NO	1-SIDED PLATING (CUSTOMER SPECIAL)
10123543-101LF	TIN OVER NICKEL (LEAD FREE)		
10123543-111	TIN/LEAD ALLOY OVER NICKEL	YES (SEE NOTE 13)	
10123543-111LF	TIN OVER NICKEL (LEAD FREE)		2-SIDED PLATING
10123543-102	TIN/LEAD ALLOY OVER NICKEL	NO	
10123543-102LF	TIN OVER NICKEL (LEAD FREE)		
10123543-112	TIN/LEAD ALLOY OVER NICKEL	YES (SEE NOTE 13)	
10123543-112LF	TIN OVER NICKEL (LEAD FREE)		



10123543-101 OR -101LF

- 1 - CONNECTOR MATERIALS:  
HOUSING: HIGH TEMP THERMOPLASTIC, NATURAL, UL94-V0  
IMLA PLASTIC: HIGH TEMP THERMOPLASTIC, BLACK, UL94-V0  
CONTACT: COPPER ALLOY  
ORGANIZER: HIGH TEMP THERMOPLASTIC, NATURAL, UL94-V0
- 2 - CONTACT PLATING:  
SEPARABLE INTERFACE:  
PERFORMANCE-BASED PLATING, QUALIFIED TO MEET THE REQUIREMENTS OF FCI PRODUCT SPECIFICATION GS-12-0956 INCLUDING TELCORDIA GR-1217-CORE (NOVEMBER 1995) CENTRAL OFFICE TEST SEQUENCE  
PRESS-FIT TAILS: SEE TABLE
- 3 - PRODUCT SPECIFICATION: GS-12-0956
- 4 - APPLICATION SPECIFICATION: GS-20-0305
- 5 - PRODUCT MARKING, (PROTOTYPE, PART NUMBER & LOT CODE), ON THIS SURFACE.
- 6 - POSITIONS "F" OF ODD NUMBERED COLUMNS AND POSITIONS "G" OF EVEN NUMBERED COLUMNS CORRESPOND TO EARLY MATE HEADER PINS.
- 7 - CONNECTOR OUTLINE MAY BE SCREEN PRINTED ONTO CUSTOMER PCB TO BE USED AS A GUIDE FOR CONNECTOR PLACEMENT.
- 8 - REFER TO CUSTOMER DRAWING 10104444 FOR INFORMATION ON PCB HOLE DIAMETERS AND PLATING OPTIONS
- 9 - LEAD FREE PRODUCT MEETS THE EUROPEAN UNION DIRECTIVES & OTHER COUNTRY REGULATIONS AS DESCRIBED IN GS-22-008
- 10 - PACKAGING MEETS GS-14-920 LEAD FREE LABELING SPECIFICATION.
- 11 - GROUND CONTACTS (C, F, & I IN ODD COLUMNS AND A, D, & G IN EVEN COLUMNS) REQUIRE (Ø0.500) FINISHED HOLES. SIGNAL LOCATIONS REQUIRE (Ø0.500) FINISHED HOLES
- 12 - THESE OUTER VIAS (J) ARE OPTIONAL. WHILE NO CONNECTOR EONS ARE PRESSED INTO THESE HOLES WE RECOMMEND (Ø0.500) FINISHED HOLES AT THESE LOCATIONS TO PROVIDE GROUND SYMMETRY THROUGH THE PCB.
- 13 - MATING PIN E4 HAS 0.5mm LESS NOMINAL WIPE THAN THE SHORTEST PIN.
14. A SYMBOL WILL BE NEXT TO ANY DIMENSION, VIEW, OR NOTE, WHICH HAS BEEN MODIFIED WITH THE CURRENT DRAWING REVISION.



DETAIL A  
SCALE 15:1

spec ref	---	dr	Lin-Soe Ngwe	2012/11/29	projection	MM	size	A2	scale	5:1													
tolerance std	ASME Y14.5M	eng	Art Lin	2016/11/16			ecn no	ELX-DG-2525-1	rel level	Released													
TOLERANCES UNLESS OTHERWISE SPECIFIED		chr	Heaven Cen	2016/11/17							product family												
surface	<table border="1"> <tr> <td>linear</td> <td>0.X</td> <td>±.3</td> </tr> <tr> <td></td> <td>0.XX</td> <td>±.15</td> </tr> <tr> <td></td> <td>0.XXX</td> <td>±.050</td> </tr> <tr> <td>angular</td> <td>0°</td> <td>±2°</td> </tr> </table>	linear	0.X	±.3		0.XX	±.15		0.XXX	±.050	angular	0°	±2°	appr	Pai-Ming Zheng	2016/11/18	Amphenol FCI	title	AirMax VS2 R.A. HEADER	dwg no	10123543	rev	D
linear	0.X	±.3																					
	0.XX	±.15																					
	0.XXX	±.050																					
angular	0°	±2°																					
		cat. no.		Product - Customer Drw		sheet 3 of 3																	

Amphenol FCI

© 2016 APCI