



Chipsmall Limited consists of a professional team with an average of over 10 year of expertise in the distribution of electronic components. Based in Hongkong, we have already established firm and mutual-benefit business relationships with customers from,Europe,America and south Asia,supplying obsolete and hard-to-find components to meet their specific needs.

With the principle of “Quality Parts,Customers Priority,Honest Operation,and Considerate Service”,our business mainly focus on the distribution of electronic components. Line cards we deal with include Microchip,ALPS,ROHM,Xilinx,Pulse,ON,Everlight and Freescale. Main products comprise IC,Modules,Potentiometer,IC Socket,Relay,Connector.Our parts cover such applications as commercial,industrial, and automotives areas.

We are looking forward to setting up business relationship with you and hope to provide you with the best service and solution. Let us make a better world for our industry!



Contact us

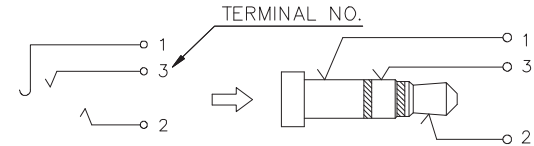
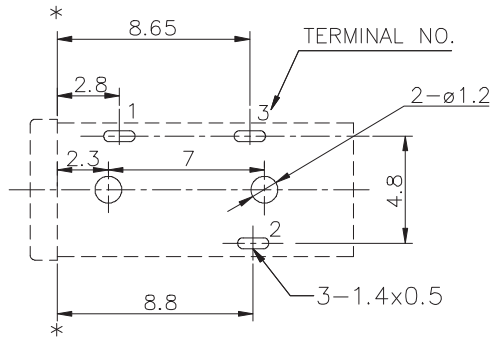
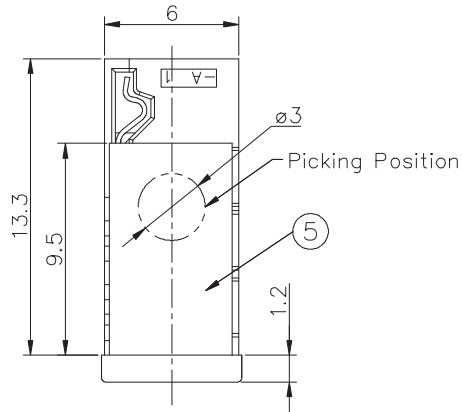
Tel: +86-755-8981 8866 Fax: +86-755-8427 6832

Email & Skype: info@chipsmall.com Web: www.chipsmall.com

Address: A1208, Overseas Decoration Building, #122 Zhenhua RD., Futian, Shenzhen, China



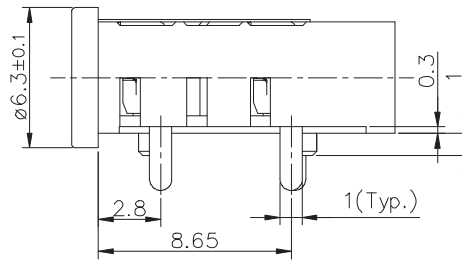
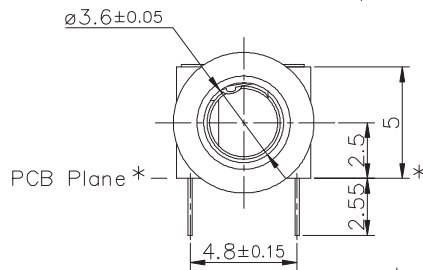
PRODUCT NUMBER
10123766-H00XLF



SCHEMATIC
(CODE: H)

PLUG INSERTED

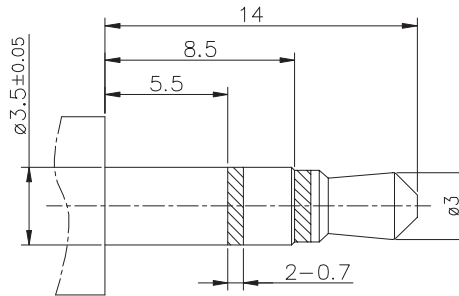
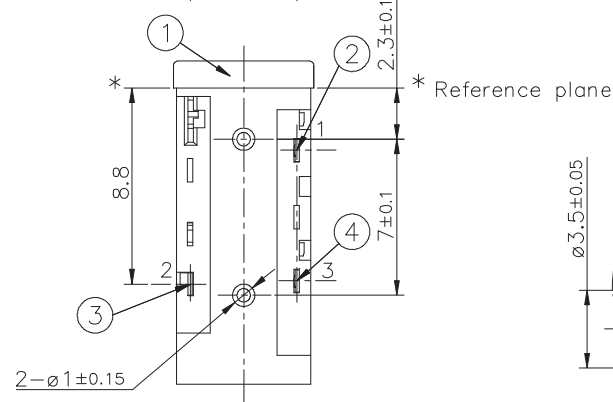
PCB HOLES(BOTTOM VIEW) t=1.6mm
NOTE: GENERAL TOLERANCE: ±0.05mm



NOTES:

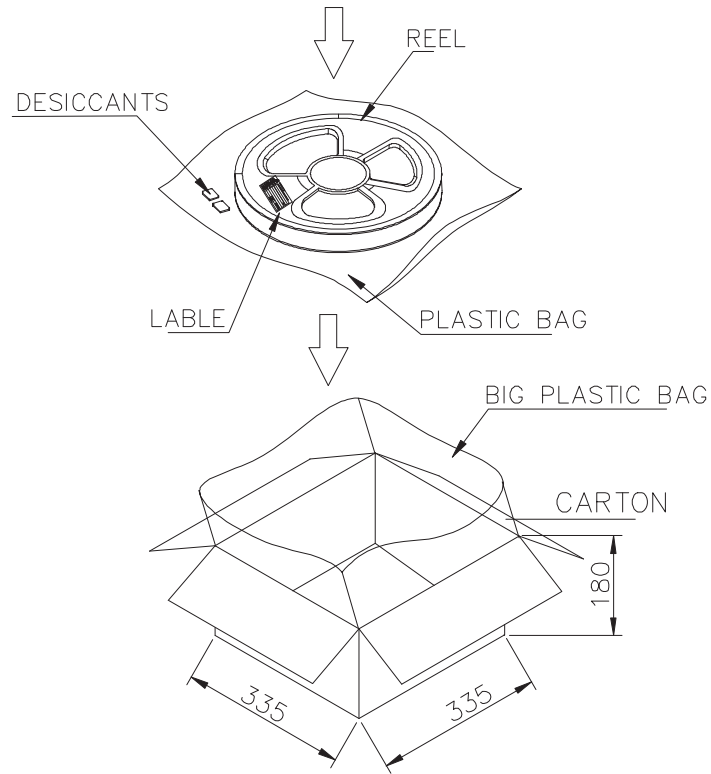
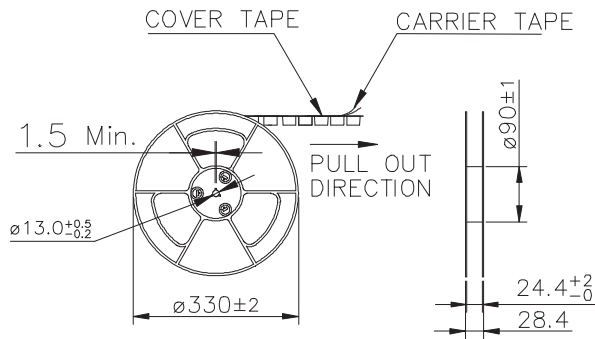
1. MATERIAL: SEE MATERIAL TABLE.
2. PRODUCT SPECIFICATION: GS-12-1160.
3. PACKAGE SPECIFICATION: GS-14-2338.
4. THIS PRODUCT MEETS EUROPEAN UNION DIRECTIVES AND OTHER COUNTRY REGULATIONS AS DESCRIBED IN GS-47-0004.
5. THE HOUSING WILL WITHSTAND EXPOSURE TO 260°C PEAK TEMPERATURE 5 SECONDS IN A CONVECTION, INFRA-RED OR VAPOR PHASE REFLOW OVEN.
6. PART NUMBER DEFINITION:

10123766-X X X X LF
 LEAD FREE
 MYLAR - BLANK: WITH MYLAR; N: NO MYLAR
 PLATING - 0: Ag
 HSG COLOR - 0: BLACK
 CIRCUIT SCHEMATIC CODE

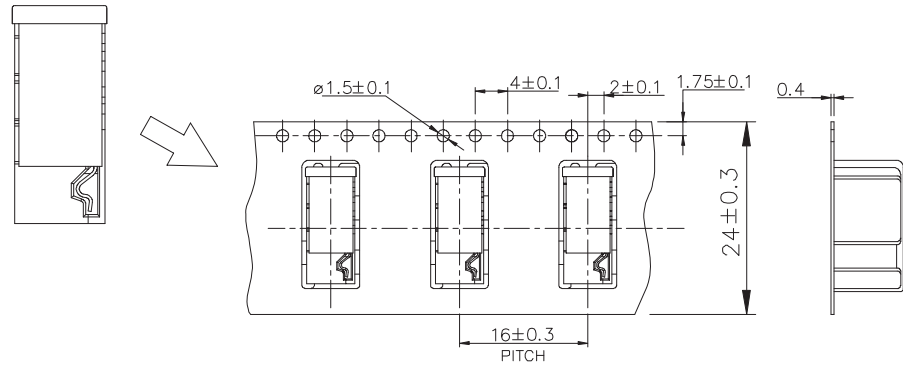


RECOMMENDED PLUG
ø3.5 3-POLE STANDARD PLUG

⑤	MYLAR		1	MYLAR t=0.11	
④	RING TERMINAL	3	1	STAINLESS STEEL t=0.20	Ag-PLATED
③	TIP TERMINAL	2	1	STAINLESS STEEL t=0.20	Ag-PLATED
②	EARTH TERMINAL	1	1	STAINLESS STEEL t=0.20	Ag-PLATED
①	HOUSING		1	PA9T 94V-0	BLACK
NO.	PART NAME	TER.NO.	QTY.	MATERIAL	REMARK
mat'l. code		surface	tolerance	projection	product family
ltr	ecn no	dr	date	tolerances unless otherwise specified	
A		TAI	2014-03-25	angles	16<L≤63 ±0.4
B	ELX-T-18985	TAI	2014-10-13	in/out	4<L≤16 ±0.3
				X±5°	L≤4 ±0.2
		dr	KENNY TAI	2012-12-18	scale
		enrg	KENNY TAI	2012-12-18	
		chr	KENNY TAI	2013-12-02	
		appd	PM ZHENG	2014-03-25	
sheet index	revision sheet	B	B		
		1	2		



1 Carton
 = 5 Reel/ Carton
 = 450 pcs / reel
 = 2250 pcs/ Carton



NOTE:

- CARRIER TAPE PACKING LENGTH
 TRAILER CONNECTORS LEADER(START)
 240mm 7200mm(450*16) 240mm
- FEELING FORCE: 0.1N-1.3N (10g-132g)

NOTE:

- Reel (330X28.4mm)
- Carton (335x335x180mm)
- Carton thickness = 6mm
- Unit: mm
- N.W=1.0kg; G.W=3.0kg

mat'l. code		surface		tolerance		projection		product family	
ltr		ecn no		dr		date		title	
								3.5mm PHONE JACK	
				angles		16<L≤63 ±0.4			
				X'±5'		4<L≤16 ±0.3			
						L≤4 ±0.2			
		dr		KENNY TAI		2012-12-18		dwg no	
		enr		KENNY TAI		2012-12-18		sheet 2 of 2 size	
		chr		KENNY TAI		2013-12-02		10123766	
		appd		PM ZHENG		2014-03-25		A4	
sheet index		revision sheet		B 1		B 2		type	
								CUSTOMER Drawing	