



Chipsmall Limited consists of a professional team with an average of over 10 year of expertise in the distribution of electronic components. Based in Hongkong, we have already established firm and mutual-benefit business relationships with customers from,Europe,America and south Asia,supplying obsolete and hard-to-find components to meet their specific needs.

With the principle of “Quality Parts,Customers Priority,Honest Operation,and Considerate Service”,our business mainly focus on the distribution of electronic components. Line cards we deal with include Microchip,ALPS,ROHM,Xilinx,Pulse,ON,Everlight and Freescale. Main products comprise IC,Modules,Potentiometer,IC Socket,Relay,Connector.Our parts cover such applications as commercial,industrial, and automotives areas.

We are looking forward to setting up business relationship with you and hope to provide you with the best service and solution. Let us make a better world for our industry!



Contact us

Tel: +86-755-8981 8866 Fax: +86-755-8427 6832

Email & Skype: info@chipsmall.com Web: www.chipsmall.com

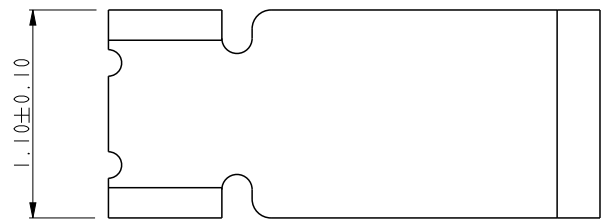
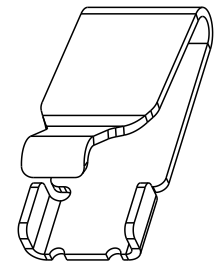
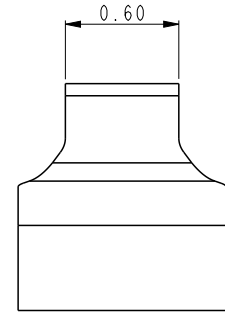
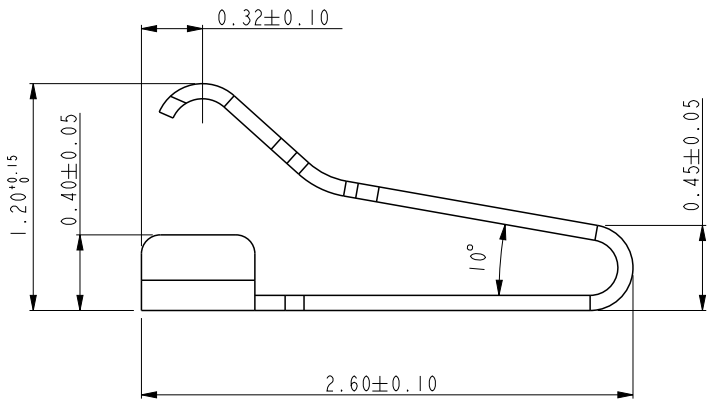
Address: A1208, Overseas Decoration Building, #122 Zhenhua RD., Futian, Shenzhen, China





Copyright FCI.

PRODUCT NO.	
FCI	10123973-004RLF



NOTES:

- 1.MATERIAL: STAINLESS STEEL.
- 2.CONTACT PLATING:
CONTACT AREA: PLATING 8 MICROINCH Au OVER Ni UNDERPLATE,
SOLDER AREA : PLATING GOLD FLASH OVER Ni UNDERPLATE.
- 3.PACKAGING: TAPE & REEL
- 4.PART NUMBER DESCRIPTION:
10123973-0 0 X X X

- LF: LEAD FREE
- R: TAPE & REEL
- CONTACT PLATING:
4: 8 MICROINCH Au OVER Ni

spec ref	*	dr	Andy Lu	2013/04/17	projection 	mm ←→	size	A4	scale	25 : 1
tolerance std	TOLERANCES UNLESS OTHERWISE SPECIFIED	eng	Andy Lu	2013/04/19			ecn no	-		
ASME Y14.5		chr	Young Ou	2013/04/19			rel level	Released		
surface	linear	appr	Pei-Ming Zheng	2013/04/19	product family	-	rev			
ASME Y14.5	0.X	±0.3		title	UNIVERSAL CONTACT	dwg no	10123973	rev	A	
	0.XX	±0.15								
	0.XXX	±0.050								
angular	0°	±2°	www.fci.com	cat. no.	Product - Customer Drw	sheet 1 of 2				

PrdE File - REV C - 2009-06-09

1

2

3

4

A

B

C

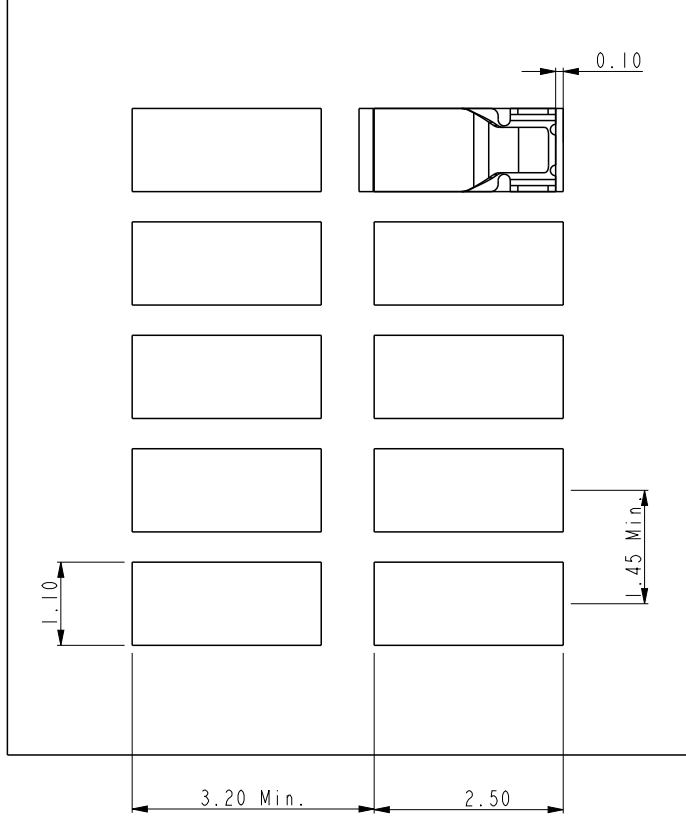
D

A

B

C

D



RECOMMENDED PCB DIMENSION & MIN PITCH
TOLERANCE: +/-0.05MM



Copyright FCI.

spec ref *		dr Andy Lu 2013/04/17		projection 	mm ←→	size A4	scale 10 : 1	
tolerance std ASME Y14.5		eng Andy Lu 2013/04/19				ecn no -		
TOLERANCES UNLESS OTHERWISE SPECIFIED		chr Young Ou 2013/04/19				rel level Released		
ASME Y14.5		appr Pei-Ming Zheng 2013/04/19		product family -		rev A		
surface ✓	linear	0.X	±0.3	 www.fci.com	title UNIVERSAL CONTACT SMT SPRING	dwg no 10123973	sheet 2 of 2	
		0.XX	±0.15					
		0.XXX	±0.050					
ASME Y14.5	angular	0°	±2°	cat. no.	Product - Customer Drw			

Pro/E File - REV C - 2009-06-09

1

2

3

4