



Chipsmall Limited consists of a professional team with an average of over 10 year of expertise in the distribution of electronic components. Based in Hongkong, we have already established firm and mutual-benefit business relationships with customers from,Europe,America and south Asia,supplying obsolete and hard-to-find components to meet their specific needs.

With the principle of “Quality Parts,Customers Priority,Honest Operation,and Considerate Service”,our business mainly focus on the distribution of electronic components. Line cards we deal with include Microchip,ALPS,ROHM,Xilinx,Pulse,ON,Everlight and Freescale. Main products comprise IC,Modules,Potentiometer,IC Socket,Relay,Connector.Our parts cover such applications as commercial,industrial, and automotives areas.

We are looking forward to setting up business relationship with you and hope to provide you with the best service and solution. Let us make a better world for our industry!



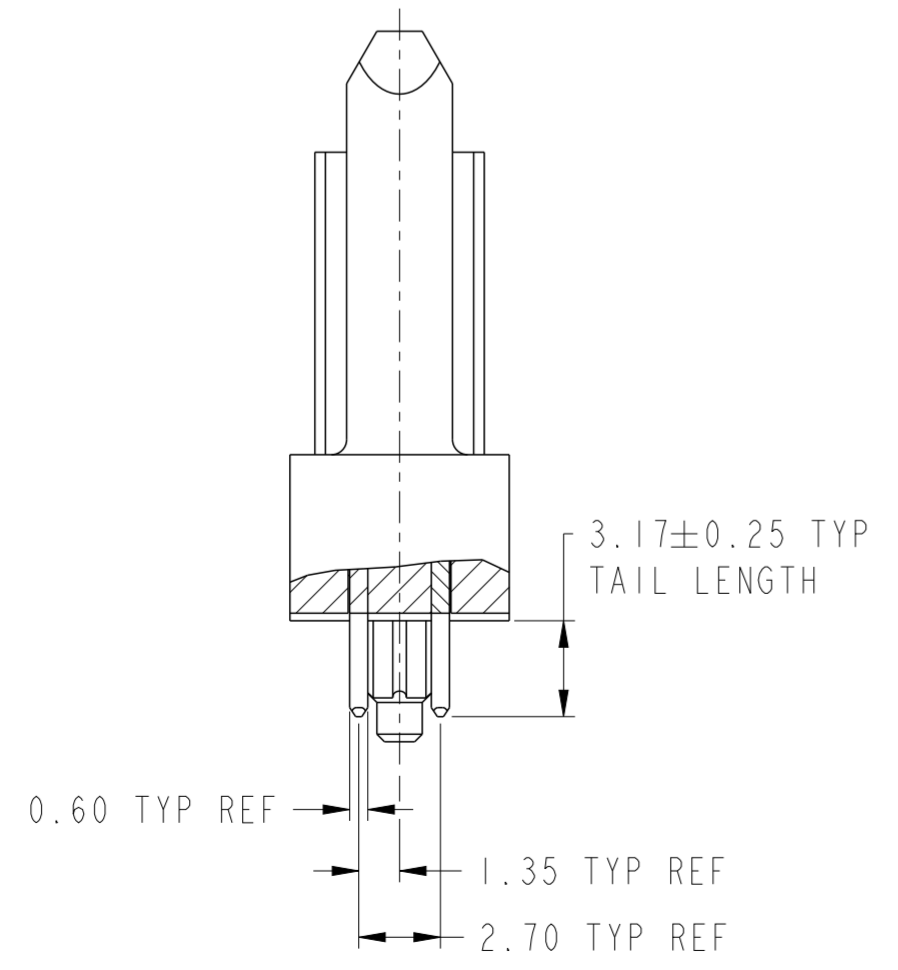
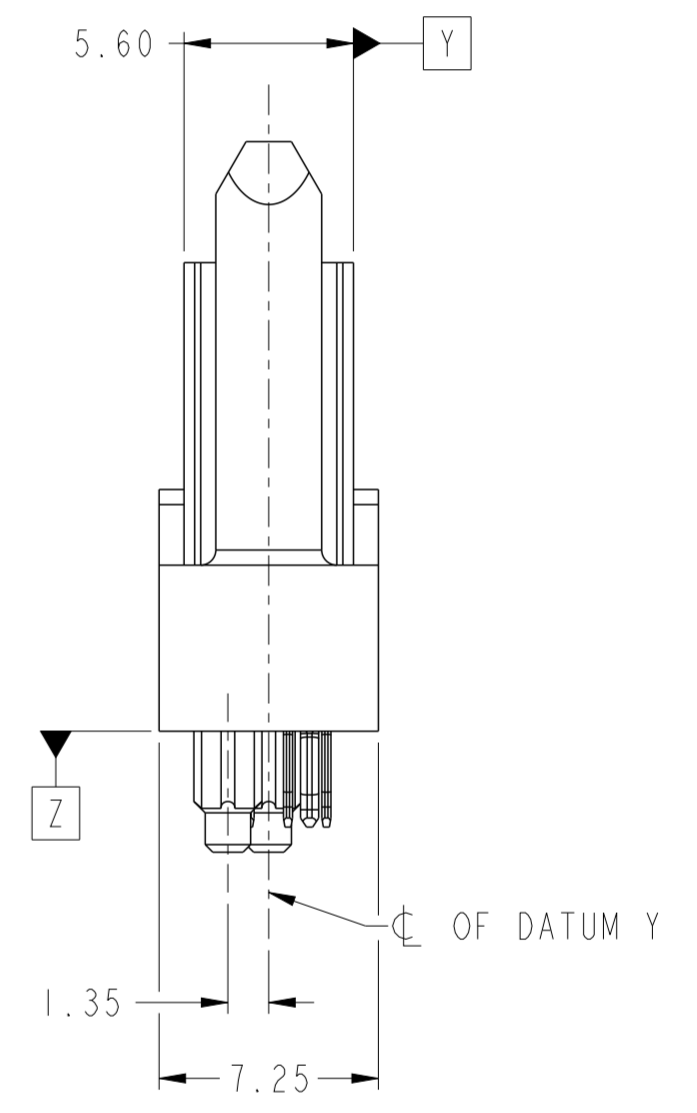
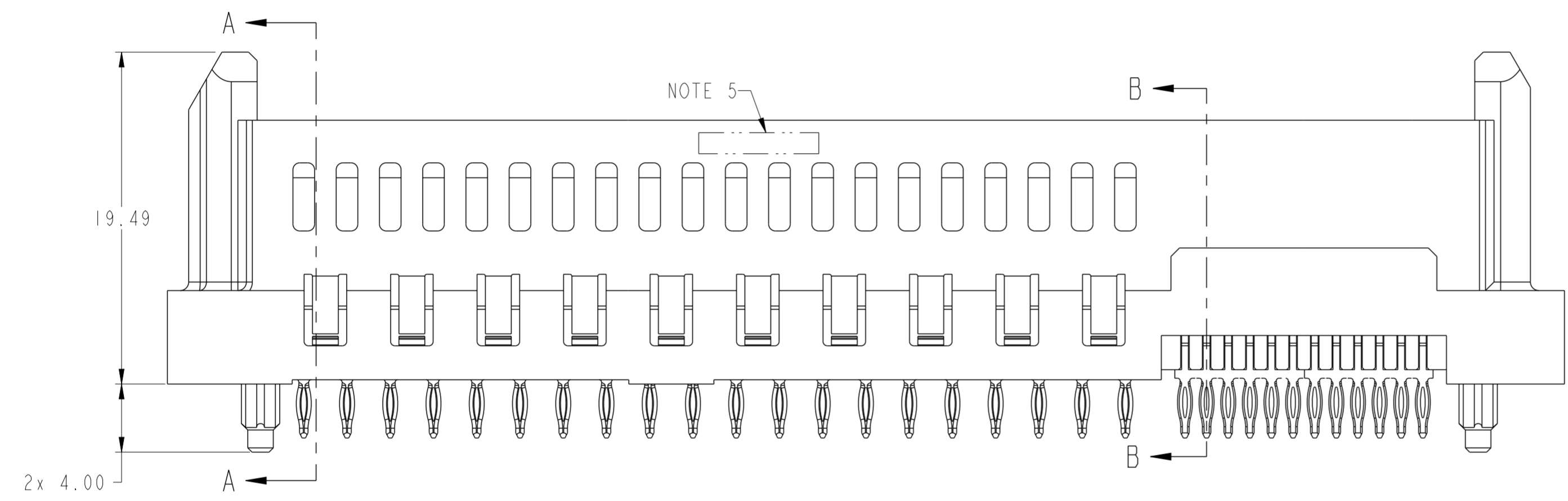
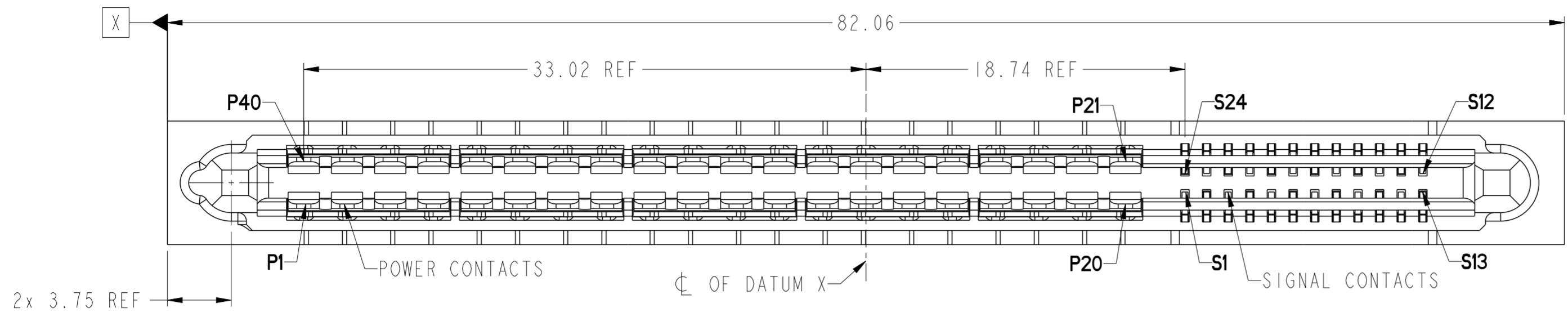
## Contact us

Tel: +86-755-8981 8866 Fax: +86-755-8427 6832

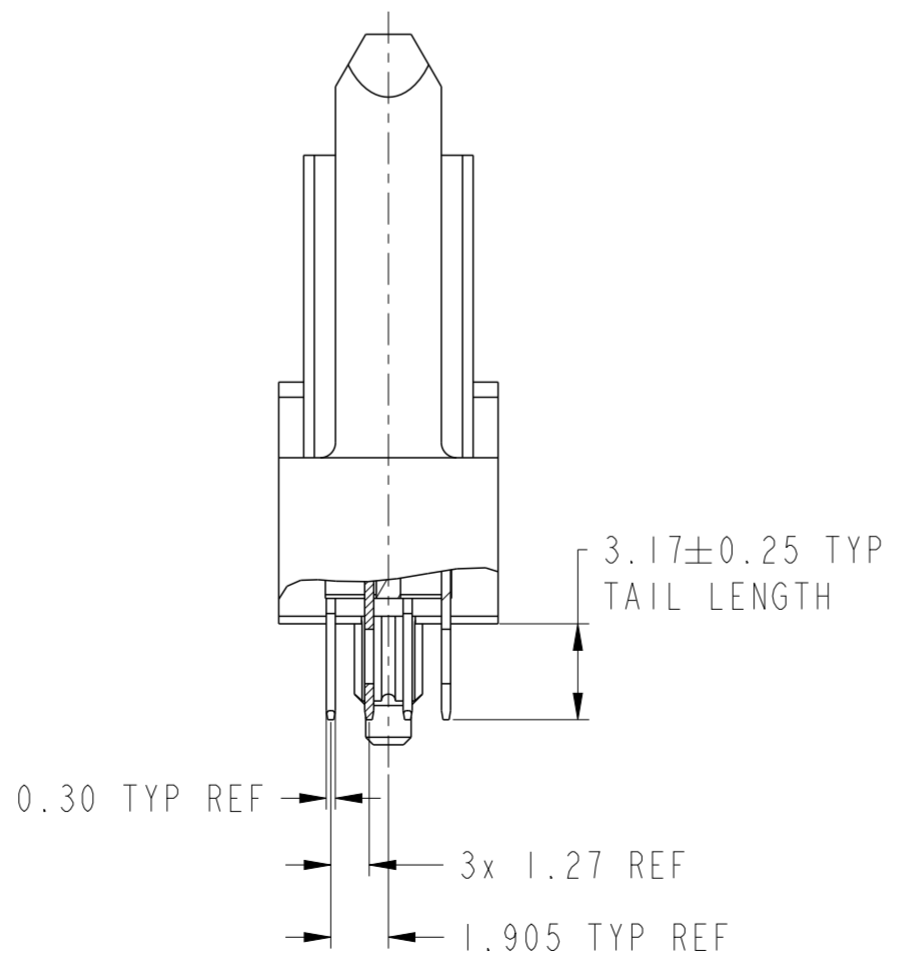
Email & Skype: info@chipsmall.com Web: www.chipsmall.com

Address: A1208, Overseas Decoration Building, #122 Zhenhua RD., Futian, Shenzhen, China





SECTION A-A  
SCALE 4:1

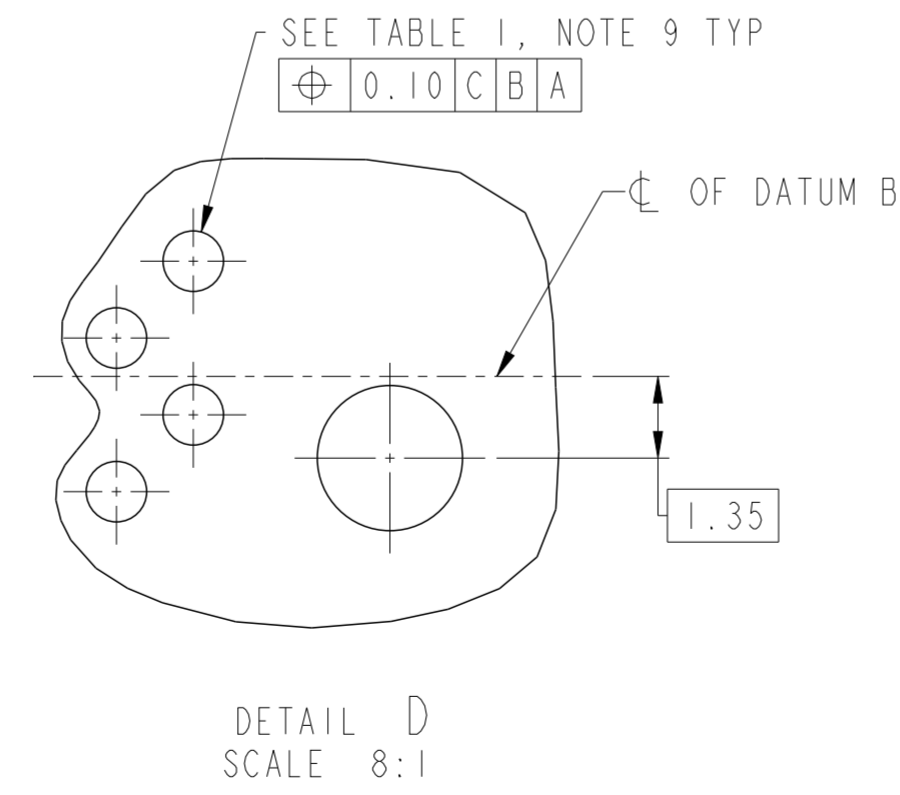
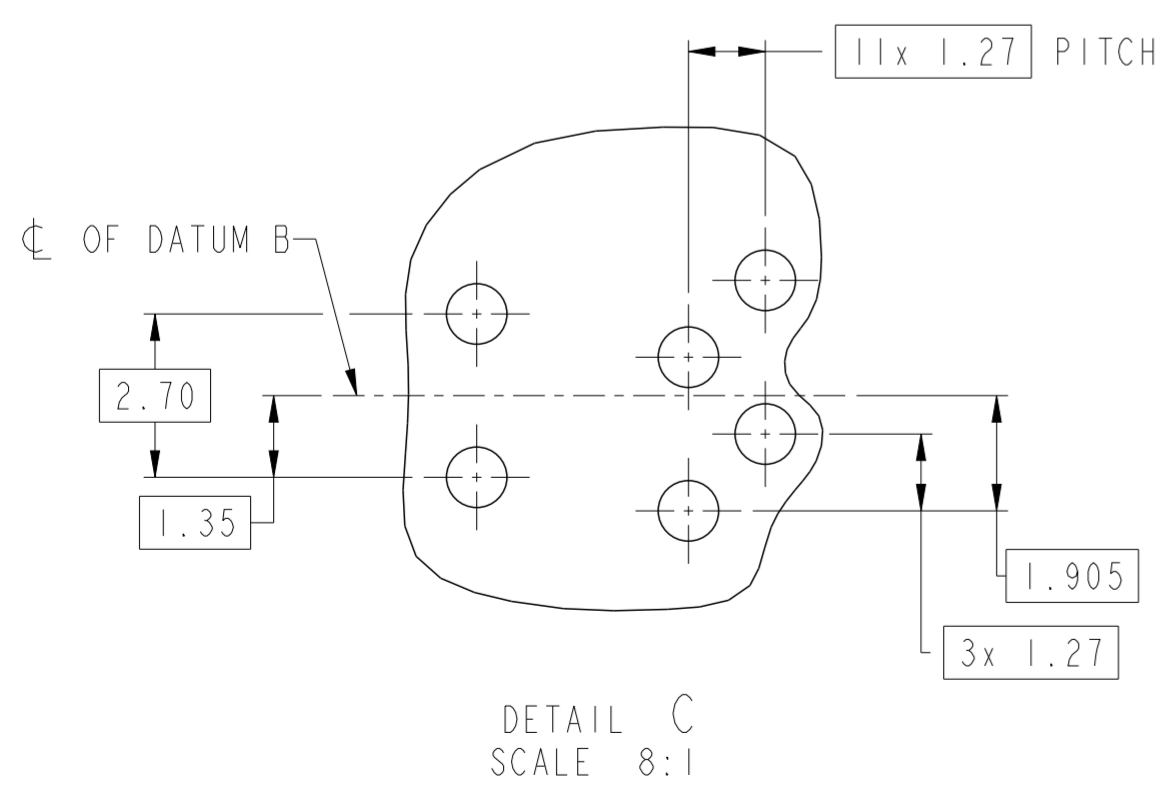
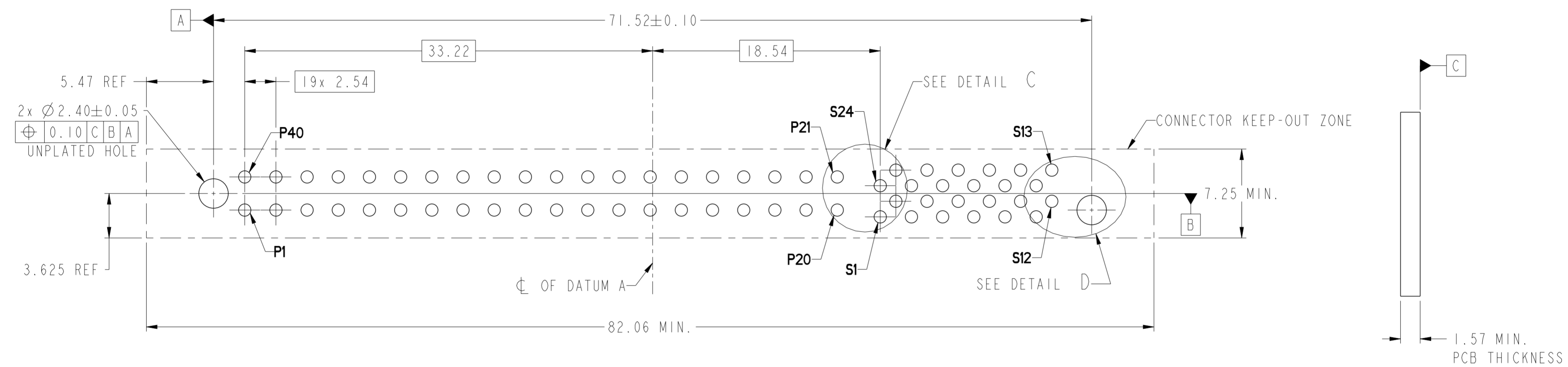


SECTION B-B  
SCALE 4:1

spec ref	dr Daniel Xiao	2013/02/21	projection	MM	size	A2	scale	4:1
tolerance std	eng Julia Wang	2014/01/09			ecn no	-	rel level	Released
ISO 406 ISO 1101	chr Eleven Hu	2014/01/08						
surface	TOLERANCES UNLESS OTHERWISE SPECIFIED	ISO 1302	product family		cat. no.	10124393	rev	A
			linear	0.X ±0.50 0.XX ±0.25 0.XXX ±0.10				
angular	0° ±2°	www.fci.com	HPCE BTB VT PF RECEPT W/ GUIDE POST 40P24S		cat. no.			

TABLE I (HPCE / PRESS-FIT TAILS)  
PLATED THROUGH-HOLE REQUIREMENTS

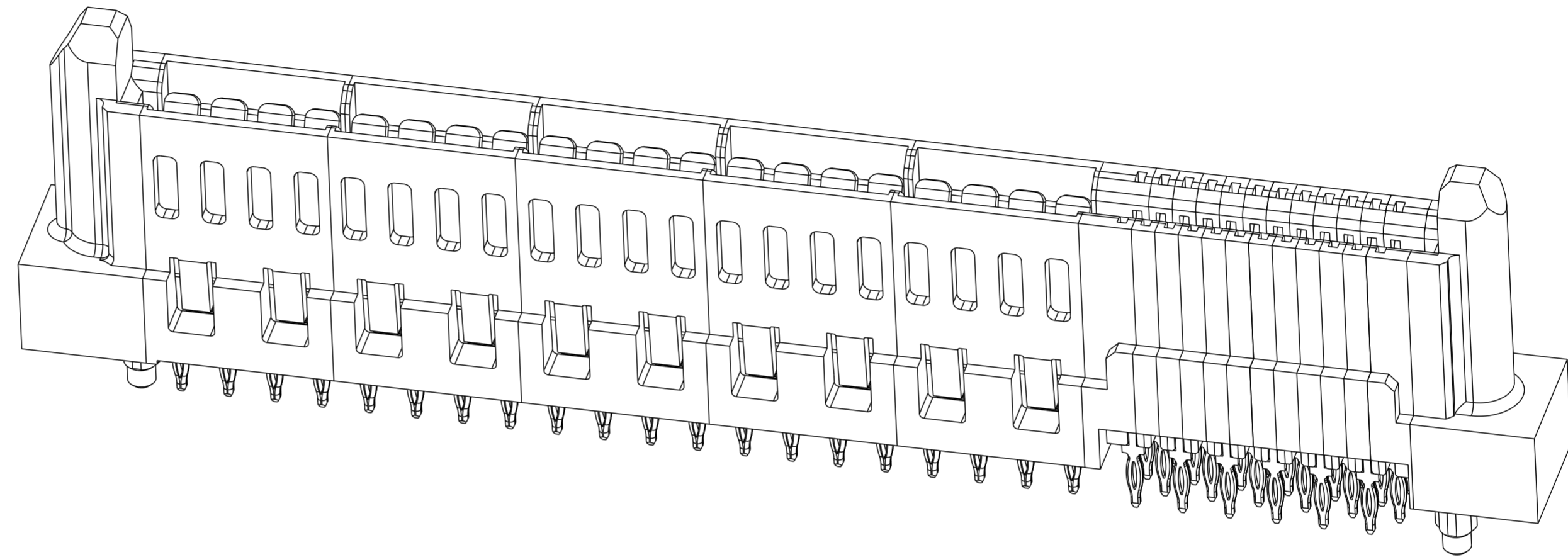
CONTACT TYPE	TOP LAYER DESCRIPTION	DRILLED HOLE DIAMETER	COPPER THICKNESS	TIN-LEAD THICKNESS	TIN THICKNESS	FINISHED HOLE DIAMETER
		POWER & SIGNAL	TIN-LEAD	0.81-0.86 (0.85 DRILL)	0.025 - 0.050	0.005 - 0.015
	IMMERSION TIN	0.81-0.86 (0.85 DRILL)	0.025 - 0.050	--	0.9 - 1.5um	0.70 - 0.80
	COPPER (SEE NOTE 8)	0.81-0.86 (0.85 DRILL)	0.025 - 0.050	--	--	0.70 - 0.80



dr	Daniel Xiao	2013/02/21	projection	MM	size	A2	scale	4:1
eng	Julia Wang	2014/01/09			ecn no	-	rel level	Released
chr	Eleven Hu	2014/01/08						
appr	Pei-Ming Zheng	2014/01/09	product family					
		title	HPCE BTB VT PF RECEIPT W/ GUIDE POST		dwg no	10124393		rev
www.fci.com		cat. no.	Product - Customer Drw		sheet 2 of 3		A	

Copyright FCI. FCI

PRODUCT PART NUMBER:  
10124393 - 001LF



NOTES:

1. CONNECTOR MATERIALS:  
     HOUSING: HIGH TEMPERATURE THERMAL PLASTIC, BLACK  
             UL 94V-0 COMPLIANT  
     CONTACTS: HIGH PERFORMANCE COPPER ALLOY.
2. CONTACT FINISH REF. GS-12-1125 SECTION 5.2.
3. PRODUCT SPECIFICATION: GS-12-1125.
4. APPLICATION SPECIFICATION: GS-20-0388.
- ⑤. PRODUCT MARKING (FCI - PART NUMBER & DATE CODE) ON HOUSING IN AREA SHOWN.
6. PACKAGING MEETS FCI SPECIFICATION GS-14-2272.
7. HOUSING COMPONENT WILL WITHSTAND EXPOSURE TO 260°C PEAK TEMPERATURE FOR 60 SECONDS IN A CONVECTION, INFRA-RED, OR VAPOR PHASE REFLOW OVEN.
- ⑧. COPPER PLATING THICKNESS IN CENTER OF VIA-HOLE CAN BE NO MORE THAN 0.003 LESS THAN OTHER AREAS.
- ⑨. ALL HOLE SIZES ARE FINISHED HOLE SIZES.

dr	Daniel Xiao	2013/02/21	projection	MM	size	A2	scale	4:1
eng	Julia Wang	2014/01/09			ecn no.	-	rel level	Released
chr	Eleven Hu	2014/01/08			product family			
appr	Pei-Ming Zheng	2014/01/09			cat. no.	10124393	rev	A
www.fci.com			Product - Customer Drw			sheet 3 of 3		