



Chipsmall Limited consists of a professional team with an average of over 10 year of expertise in the distribution of electronic components. Based in Hongkong, we have already established firm and mutual-benefit business relationships with customers from,Europe,America and south Asia,supplying obsolete and hard-to-find components to meet their specific needs.

With the principle of “Quality Parts,Customers Priority,Honest Operation,and Considerate Service”,our business mainly focus on the distribution of electronic components. Line cards we deal with include Microchip,ALPS,ROHM,Xilinx,Pulse,ON,Everlight and Freescale. Main products comprise IC,Modules,Potentiometer,IC Socket,Relay,Connector.Our parts cover such applications as commercial,industrial, and automotives areas.

We are looking forward to setting up business relationship with you and hope to provide you with the best service and solution. Let us make a better world for our industry!



Contact us

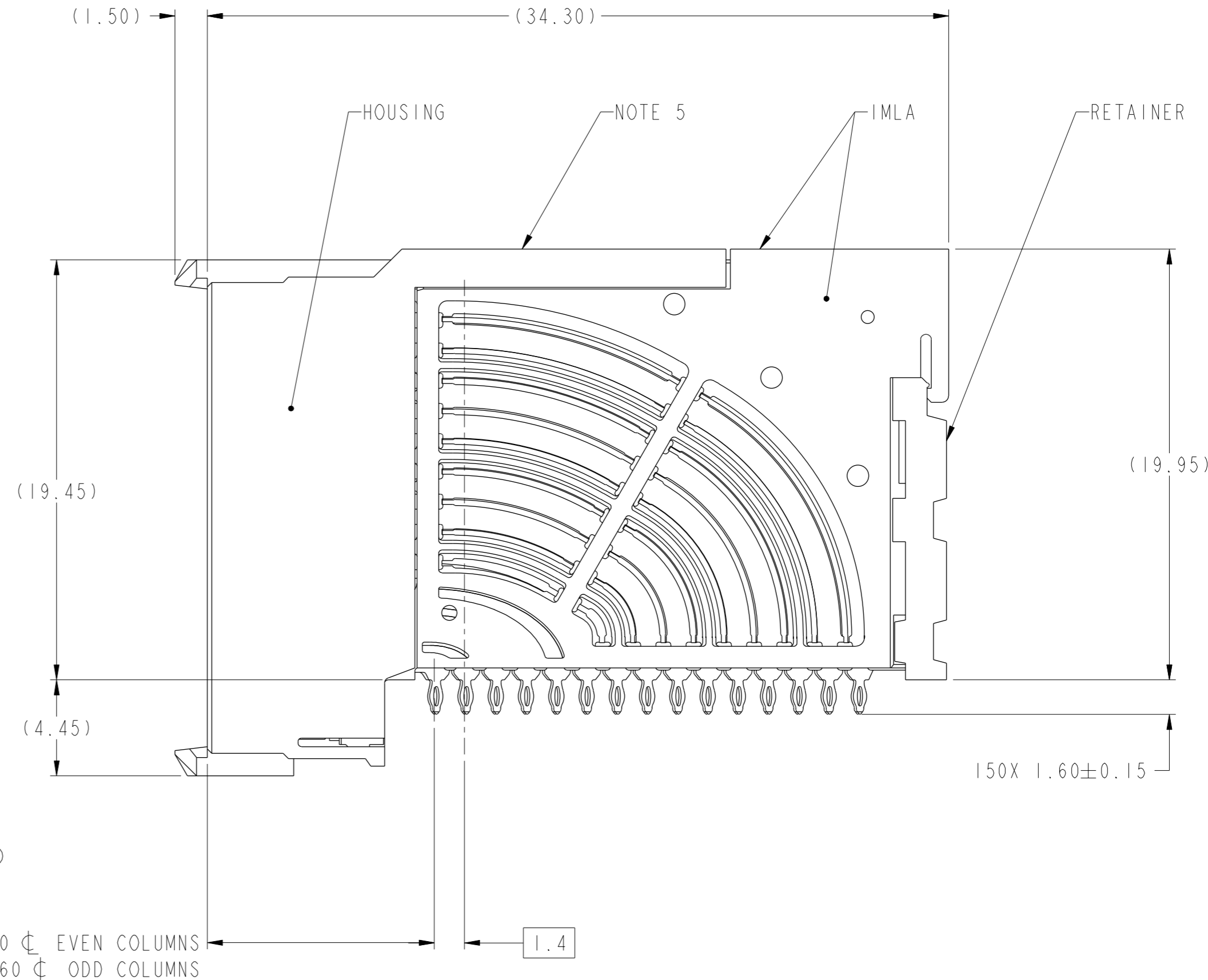
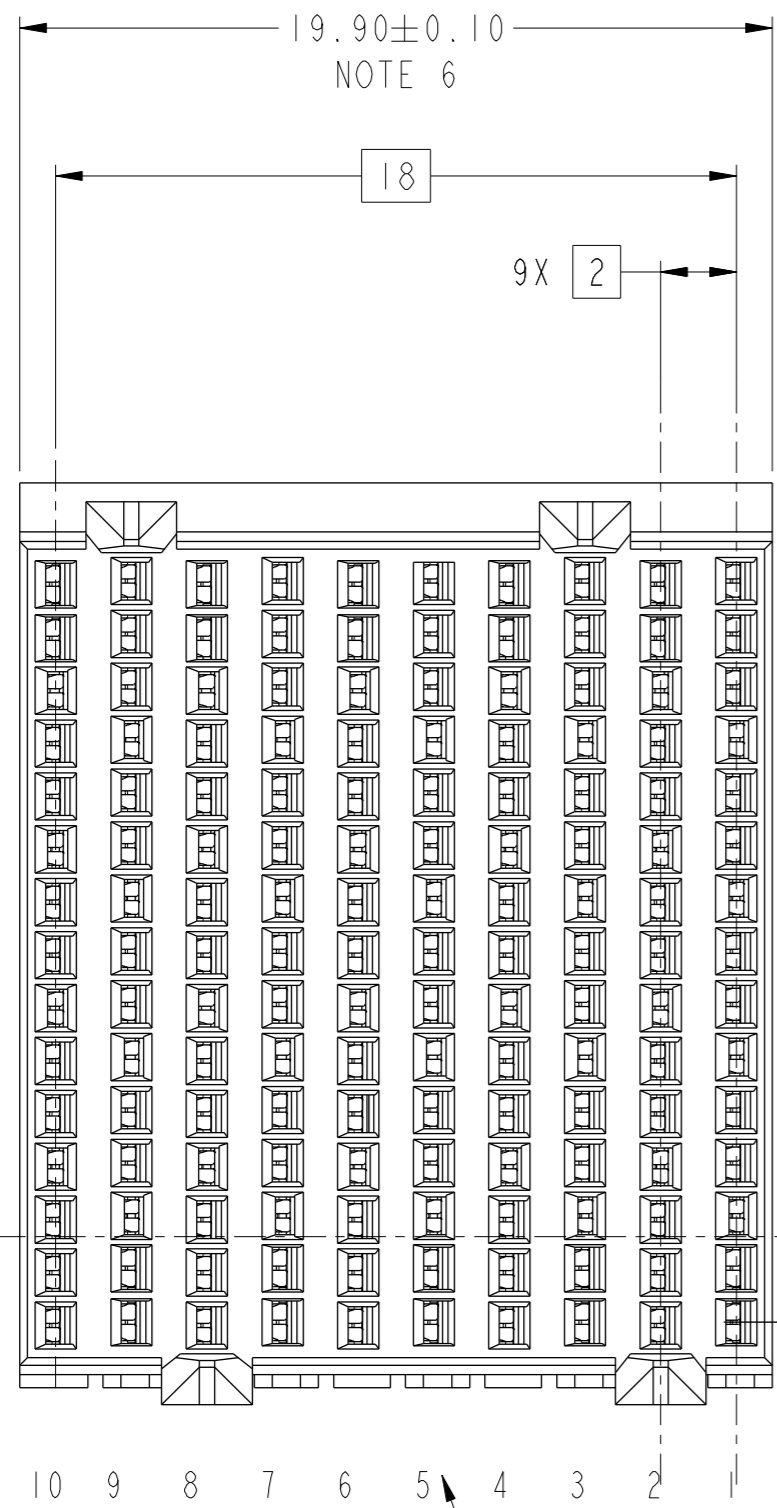
Tel: +86-755-8981 8866 Fax: +86-755-8427 6832

Email & Skype: info@chipsmall.com Web: www.chipsmall.com

Address: A1208, Overseas Decoration Building, #122 Zhenhua RD., Futian, Shenzhen, China



PRODUCT NUMBER
SEE SHEET 3



TOP SURFACE OF DAUGHTER CARD

2.35

2.27

ODD COLUMN, CONTACT ROW ID

COLUMN ID

EVEN COLUMN, CONTACT ROW ID
ODD AND EVEN COLUMNS ARE OFFSET

10.50 ϕ EVEN COLUMNS
10.60 ϕ ODD COLUMNS

Amphenol
FCi

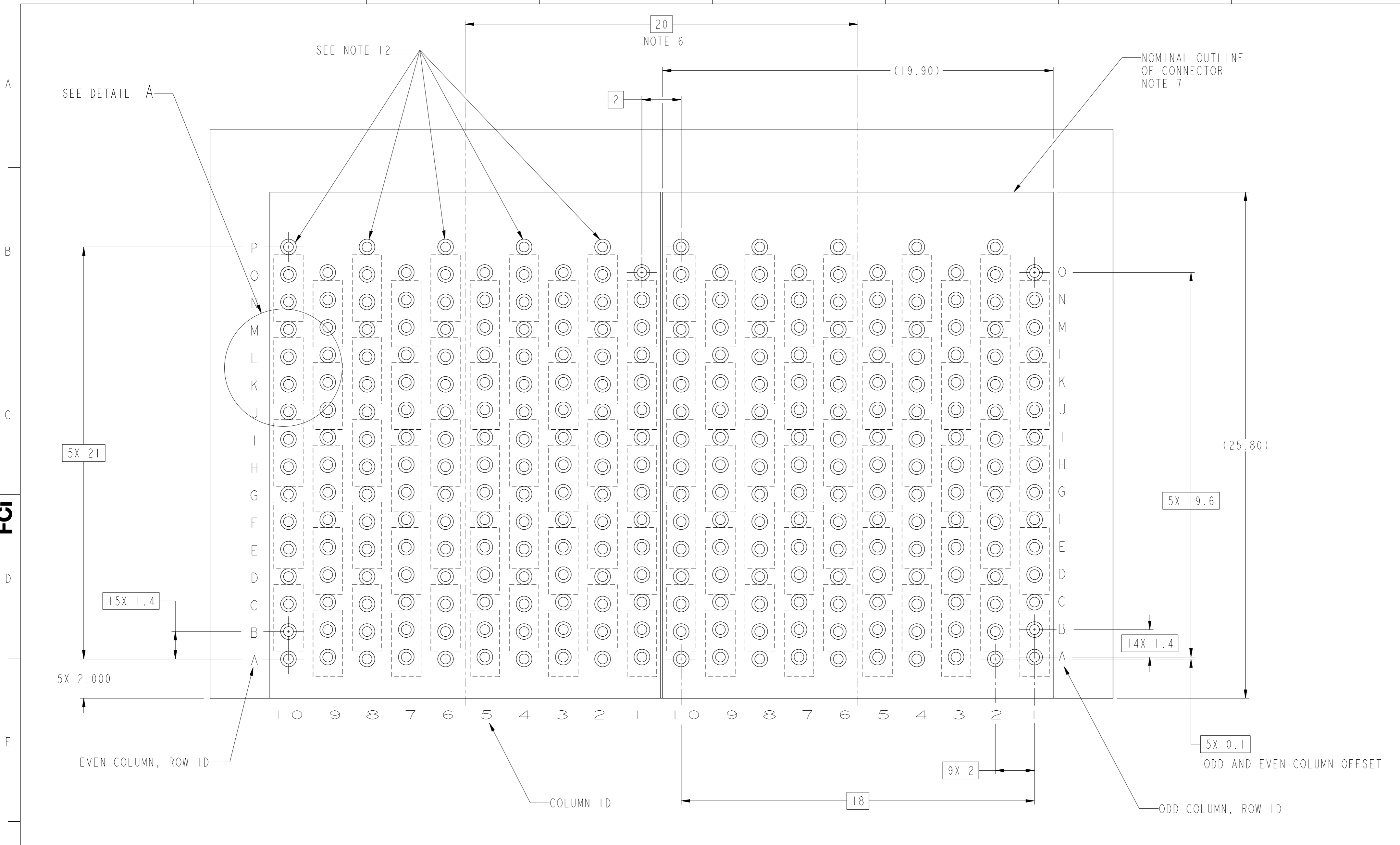
© 2016 AFci

spec ref	---	dr	S Paulpandian	2013/02/26	projection	MM	size	A2	scale	1:1
tolerance std	ASME Y14.5M	eng	Tao Zhan	2016/03/01			ecn no	ELX-DG-22284-1		
TOLERANCES UNLESS OTHERWISE SPECIFIED		chr	Heaven Cen	2016/03/02			rel level	Released		
		appr	Pei-Ming Zheng	2016/03/08			product family	AirMax VSE		
surface	-	linear	0.X	±.3		title		AIRMAX VS2 R.A. RECEPTACLE	cat. no. - Product - Customer Drw sheet 1 of 3	rev C
			0.XX	±.10		dwg no		10124461		
		angular	0°	±°						

PDS: Rev :C

STATUS:Released

Printed: Mar 11, 2016



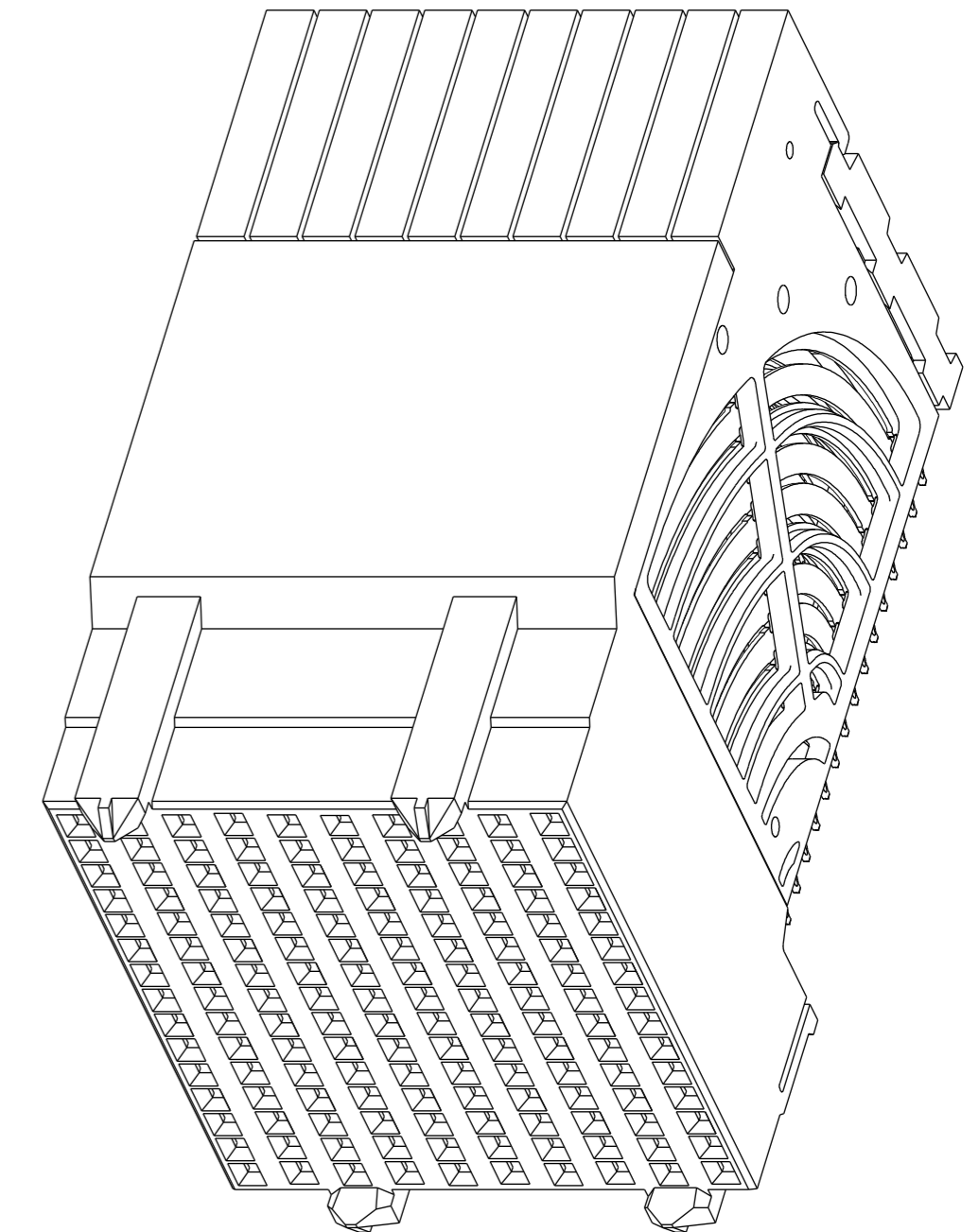
RECOMMENDED PCB LAYOUT
FOR DIFFERENTIAL APPLICATIONS
COMPONENT SIDE
(TWO ADJACENT FOOTPRINTS SHOWN)
NOTES 6, 8, & 11

spec ref	---	dr	S Paulpandian	2013/02/26	projection	MM	size	A2	scale	1:1
tolerance std	ASME Y14.5M	eng	Tao Zhan	2016/03/01			ecn no	ELX-DG-22284-1		
TOLERANCES UNLESS OTHERWISE SPECIFIED		chr	Heaven Cen	2016/03/02				rel level	Released	
surface	-	appr	Pei-Ming Zheng	2016/03/08	product family	AirMax VSE		rel level	Released	
linear	0.X ±.3 0.XX ±.10 0.XXX ±.050	Amphenol FCI		title	AIRMAX VS2 R.A. RECEPTACLE			dwg no	10124461	
angular	0° ±°	cat. no.		Product - Customer Drw			sheet	2 of 3		

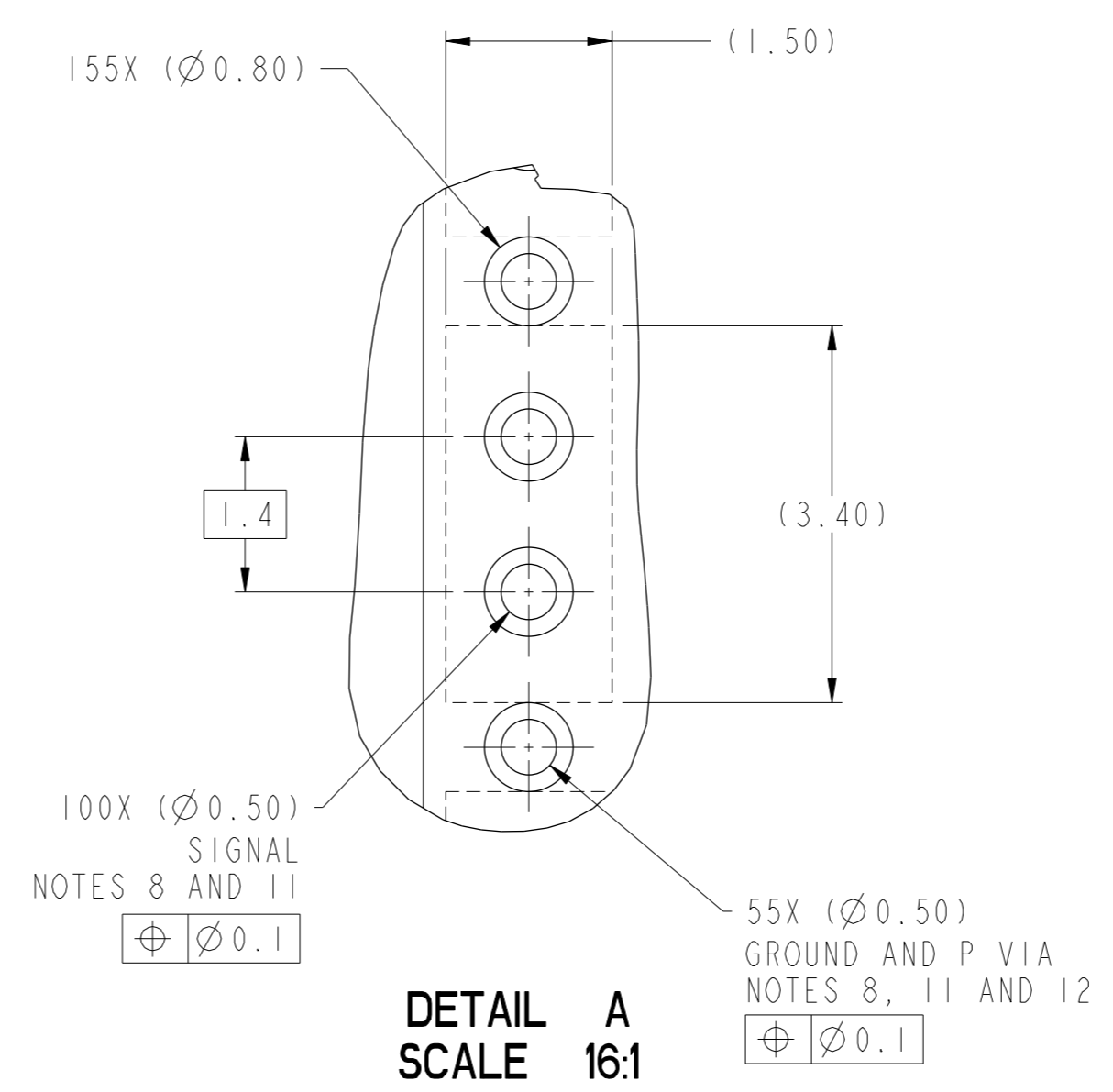
PRODUCT NUMBER	PRESS-FIT TAIL PLATING TYPE
10124461-101LF	TIN OVER NICKEL (LEAD FREE)

- 1 - CONNECTOR MATERIALS:
HOUSING: HIGH TEMP THERMOPLASTIC, NATURAL, UL94-V0
IMLA PLASTIC: HIGH TEMP THERMOPLASTIC, BLACK, UL94-V0
CONTACT: COPPER ALLOY
ORGANIZER: HIGH TEMP THERMOPLASTIC, WHITE, UL94-V0
- 2 - CONTACT PLATING:
SEPARABLE INTERFACE:
PERFORMANCE-BASED PLATING, QUALIFIED TO MEET THE REQUIREMENTS OF FCI PRODUCT SPECIFICATION GS-12-0956 INCLUDING TELCORDIA GR-1217-CORE (NOVEMBER 1995) CENTRAL OFFICE TEST SEQUENCE

PRESS-FIT TAILS: SEE TABLE
- 3 - PRODUCT SPECIFICATION: GS-12-0956
- 4 - APPLICATION SPECIFICATION: GS-20-0305.
- 5 - PRODUCT MARKING, (PROTOTYPE, PART NUMBER & LOT CODE), ON THIS SURFACE.
- 6 - THE MINIMUM CENTERLINE SPACING BETWEEN ADJACENT MODULES IS 20.0 MM.
- 7 - CONNECTOR OUTLINE MAY BE SCREEN PRINTED ONTO CUSTOMER PCB TO BE USED AS A GUIDE FOR MANUAL CONNECTOR PLACEMENT.
- 8 - REFER TO CUSTOMER DRAWING 10104444 FOR INFORMATION ON PCB HOLE DIAMETERS AND PLATING OPTIONS
- 9 - LEAD FREE PRODUCT MEETS THE EUROPEAN UNION DIRECTIVES & OTHER COUNTRY REGULATIONS AS DESCRIBED IN GS-22-008
- 10 - PACKAGING MEETS GS-14-920 LEAD FREE LABELING SPECIFICATION.
- 11 - GROUND CONTACTS (C,F,I,L AND O IN ODD COLUMNS AND A,D,G,J AND M, EVEN COLUMNS) REQUIRE (Ø0.500) FINISHED HOLES. SIGNAL LOCATIONS REQUIRE (Ø0.500) FINISHED HOLES.
- 12 - THESE OUTER VIAS (P) ARE OPTIONAL. WHILE NO CONNECTOR PINS ARE PRESSED INTO THESE HOLES, WE RECOMMEND (Ø 0.500) FINISHED HOLES AT THESE LOCATIONS TO PROVIDE GROUND SYMMETRY THROUGH THE PCB



10124461-101LF



spec ref	---	dr	S Paulpandian	2013/02/26	projection	MM	size	A2	scale	4:1	
tolerance std	ASME Y14.5M	eng	Tao Zhan	2016/03/01			ecn no	ELX-DG-22284-1			
TOLERANCES UNLESS OTHERWISE SPECIFIED		chr	Heaven Cen	2016/03/02			rel level	Released			
surface		appr	Pei-Ming Zheng	2016/03/08			product family	AIRMUX VS2 R.A. RECEPTACLE ASS'Y, 5 PAIR, 150 POS, 10 IMLA, 20MM			
linear	0.X ±.3 0.XX ±.10 0.XXX ±.050	Amphenol FCI		title	AIRMUX VS2 R.A. RECEPTACLE ASS'Y, 5 PAIR, 150 POS, 10 IMLA, 20MM		cat. no.	10124461		rev	C
angular	0° ±°	PDS: Rev :C		STATUS:Released		Product - Customer Drw		sheet 3 of 3			

Amphenol FCI

© 2016 AFCI