



Chipsmall Limited consists of a professional team with an average of over 10 year of expertise in the distribution of electronic components. Based in Hongkong, we have already established firm and mutual-benefit business relationships with customers from,Europe,America and south Asia,supplying obsolete and hard-to-find components to meet their specific needs.

With the principle of "Quality Parts,Customers Priority,Honest Operation,and Considerate Service",our business mainly focus on the distribution of electronic components. Line cards we deal with include Microchip,ALPS,ROHM,Xilinx,Pulse,ON,Everlight and Freescale. Main products comprise IC,Modules,Potentiometer,IC Socket,Relay,Connector.Our parts cover such applications as commercial,industrial, and automotives areas.

We are looking forward to setting up business relationship with you and hope to provide you with the best service and solution. Let us make a better world for our industry!



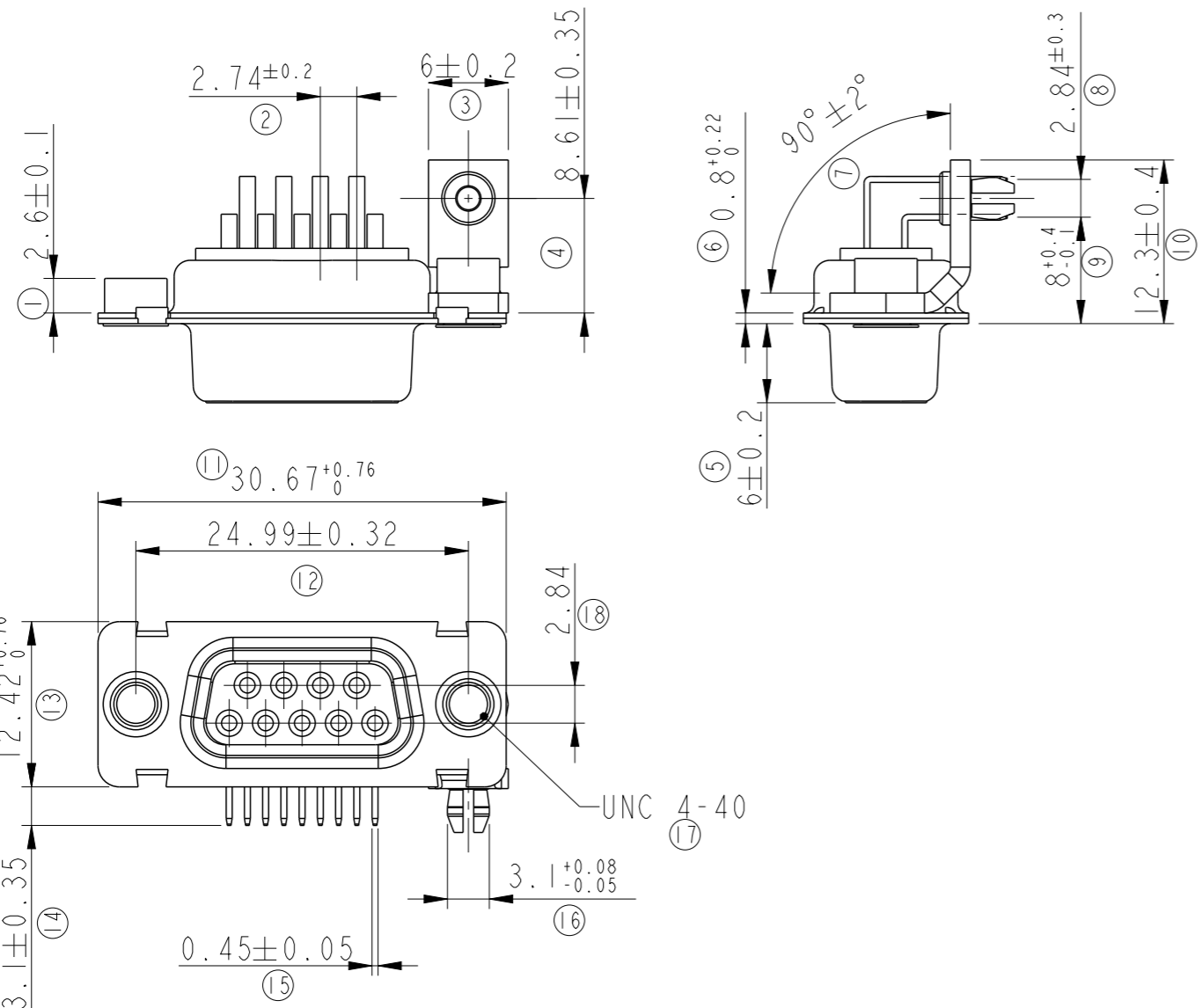
Contact us

Tel: +86-755-8981 8866 Fax: +86-755-8427 6832

Email & Skype: info@chipsmall.com Web: www.chipsmall.com

Address: A1208, Overseas Decoration Building, #122 Zhenhua RD., Futian, Shenzhen, China

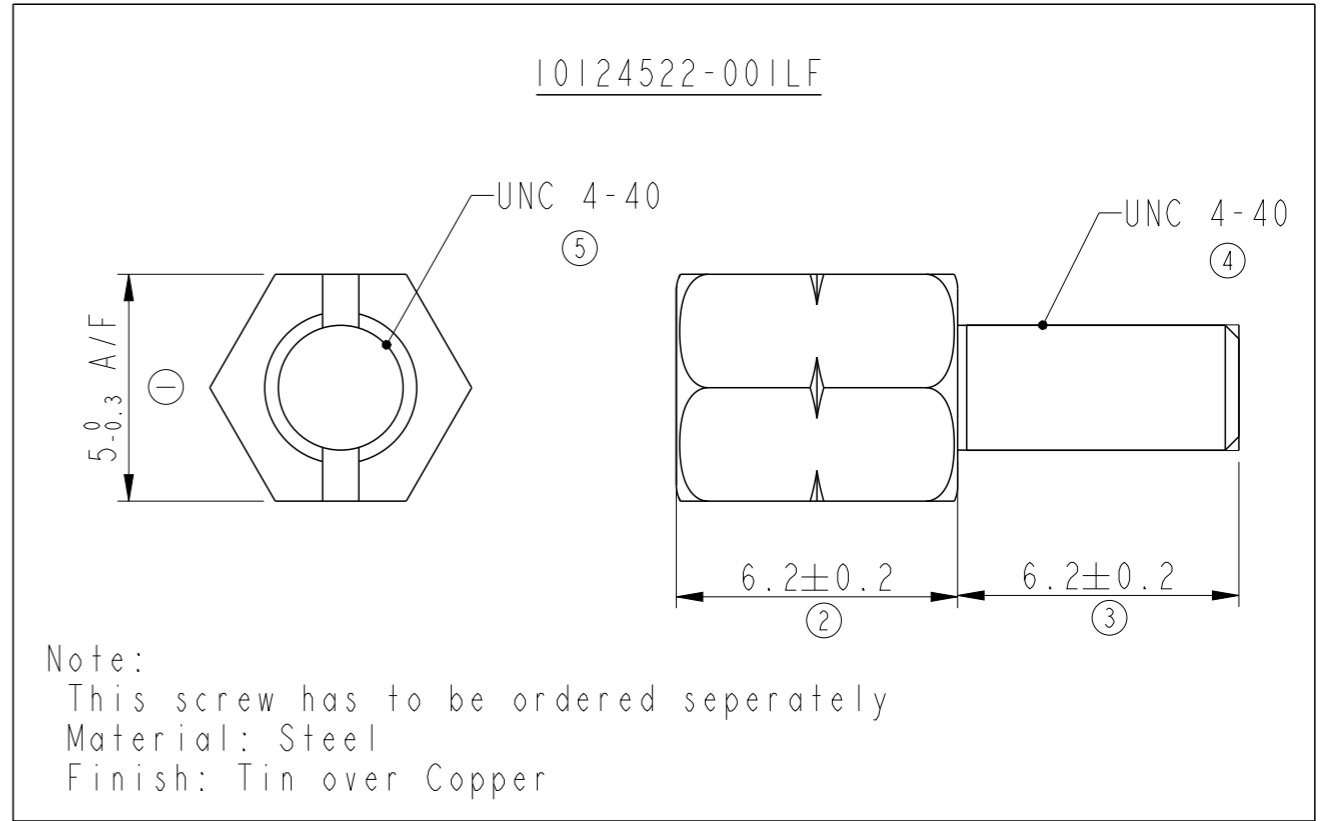




TECHNICAL SPECIFICATIONS

- SHELLS : TIN PLATED STEEL
- INSULATOR MATERIAL : SELF EXTINGUISHING THERMO-PLASTIC TO UL CLASS 94 V0.
- CONTACTS DIA ON ACTIVE AREA : Ø1 MM.
- CONTACTS MATERIAL : COPPER ALLOY
- CONTACT PLATING : Pd(+Au Flash) 0.76 µ min. over 1.27µ min.
- OPERATING TEMPERATURE: -55°C +125°C
- OPERATING CURRENT : 5 A PER CONTACT
- CONTACT RESISTANCE : ≤25mΩ
- INSULATION RESISTANCE: ≥5000 MΩ
- MAXIMUM VOLTAGE : 1000 V.r.m.s
- MECHANICAL ENDURANCE : 500 MATINGS
- DAMP HEAT : 21 DAYS
- TORQUE REQUIREMENT : 0.4Nm MAX

"This LF product meets European Union Directives and other country regulations as described in GS-47-0004"
 The housing will withstand exposure to 260°C peak temperature for 3.5 seconds in a wave solder application with a 1.6mm minimum thick circuit board.



D E S 09 S 9 65 T 121 LF

SERIES	LEAD FREE
SHELL SIZE	SPECIAL CODE
OPTION-1	SINGLE METAL BRACKET & HARPOON
S- RIVETED SPACER	SHELL PLATING
	T-STD. TIN over Cu
NO. OF CONTACTS	CONTACT PLATING
09	65 -500 MATINGS CYCLES
CONTACTS	TERMINATION TYPE
S - SOCKET	9-ANGLED SPILL 2.84mm BETWEEN ROWS

Copyright FCI. FCI

spec ref	-	dr	Paul Mithun	2014/07/16	projection	mm	size	A3	scale	2:1
tolerance std	ISO 406 ISO 1101	eng	Paul Mithun	2014/08/14			ecn no	ELX-18553-1		
	TOLERANCES UNLESS OTHERWISE SPECIFIED	chr	-	-			rel level	Released		
surface	linear	appr	K-Paul Biju	2014/08/14	product family	D-SUB	dwg no	10124522	rev	B
	angular	www.fci.com		cat. no.	-	Product - Customer Drw	sheet 1 of 1			